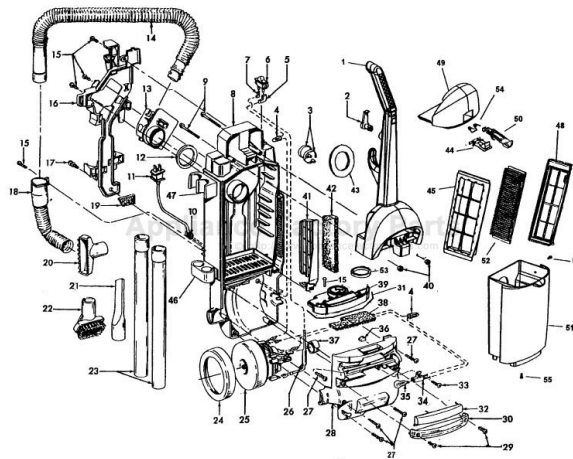


This Owner's Manual is provided and hosted by [Appliance Factory Parts](#).



HOOVER U5365-900 Owner's Manual

[Shop genuine replacement parts for HOOVER
U5365-900](#)



[Find Your HOOVER Vacuum Cleaner Parts - Select From 1456 Models](#)

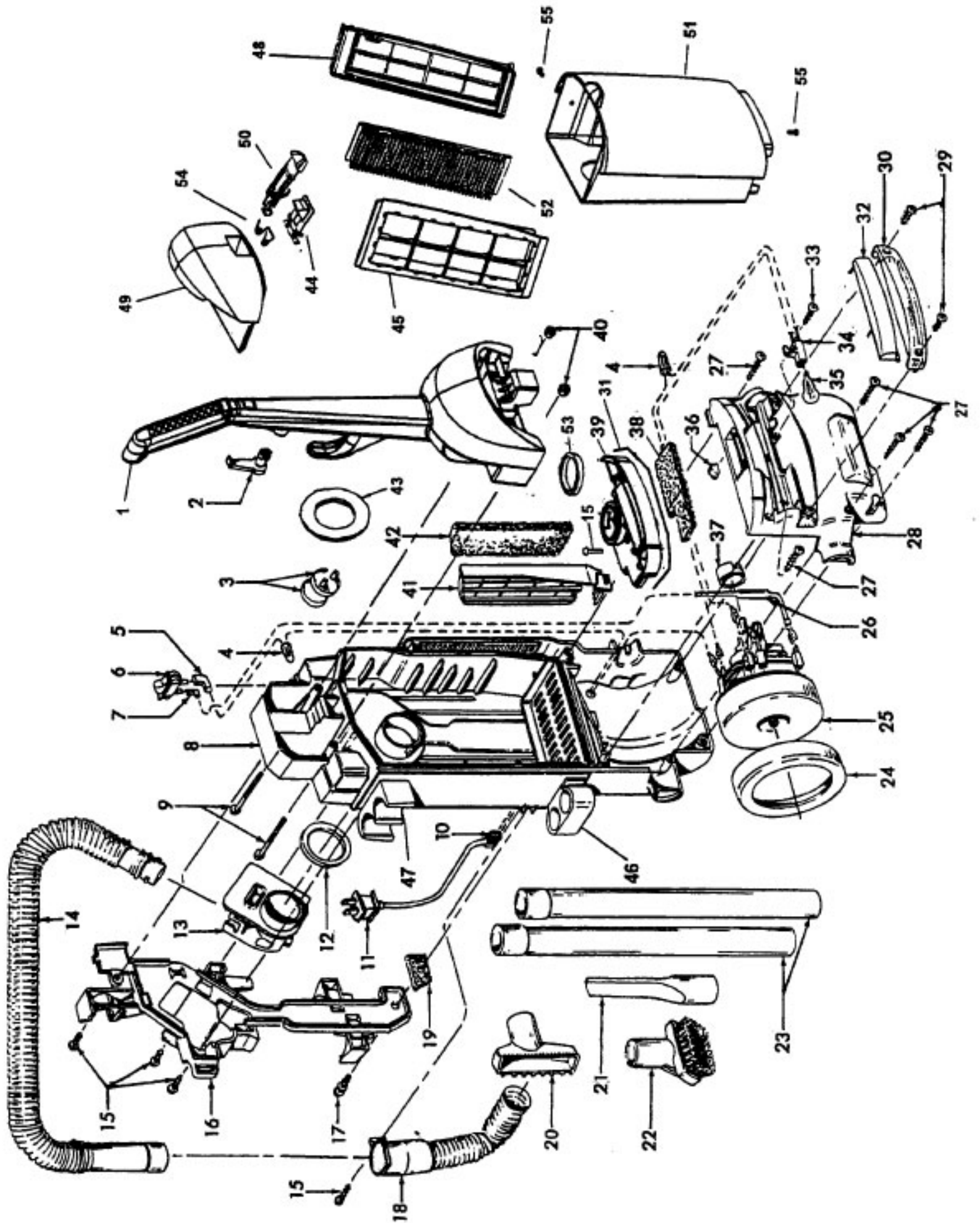
----- Manual continues below part list -----

Available Replacement Parts for HOOVER U5365-900

| | |
|----------------------------|----------------------------------|
| HR-1875 | FILTER FOR VACUUM--HOOVER |
| HR-1805 | FITLER HOOVER 2 PACK AFTERMARKET |
| HR-1832 | FILTER FOR VACUUM 2 pack |
| HR-2015 | ROLLER BRUSH ASSY |
| K-109289 | BULB |
| H-43244005 | Rear wheel |
| H-40110004 | FOAM FILTER,2PK, READ EXT INFO |
| H-43248057 | front wheel assy |
| H-38528033 | BELT, FLAT, 1PK |

Wide Path Bagless

Models U5344-900, U5347-900, U5347-960,
U5348-900, U5349-900, U5361-900,
U5363-900, U5365-900



Wide Path Bagless

| Ref. No. | Part No. | Description |
|----------|--------------------------------------------------|--------------------------------------------------------------------------------|
| 1 | 39466059 | Upper Handle Assem - AFS (order item 2 also) U5344-900, U5361-900 |
| | 39466062 | Upper Handle Assem - AFT (order item 2 also) U5347-900, U5347-960, U5363-900, |
| | 39466063 | Upper Handle Assem - ACU (order item 2 also) U5348-900 |
| | 39466064 | Upper Handle Assem - AG (order item 2 also)U5349-900, U5365-900 |
| 2 | 3944201P | Cord Wrap - ABE |
| 3 | 27479307 | Wire Tie |
| 4 | 27618508 | Wire Connector |
| 5 | N/A | Terminal |
| 6 | 28161067 | Switch - 1/4" terminals |
| 7 | N/A | Terminal |
| 8 | 37259003 | Upper Hsg - ABE(Includes items 46 and 47, order item 43 also) |
| 9 | 40201149 | Handle Hardware (Inc. item 40) |
| 10 | 27482230 | Strain Relief |
| 11 | 46383334 | Cord - 35 Ft. - with 1/4" terminals |
| 12 | 31178017 | Hose Connector Gasket |
| 13 | 38641005 | Hose Connector (also order item 12) |
| 14 | 43434248 | Hose Assembly |
| 15 | 21447242 | Screw (4) |
| 16 | 36433112 | Tool / Hose Holder - ABE |
| 17 | 23149002 | Screw |
| 18 | 43431005 | Angled Connector Assembly w/Hose |
| 19 | 34311004 | Wire Opening Seal |
| 20 | 3861401E | Furniture Nozzle - ABR |
| 21 | 38617027 | Crevice Tool - ABR |
| 22 | 43414162 | Dusting Brush Assembly - ABR |
| 23 | 38634078 | Extension Tube - AG (2) |
| 24 | 36322035 | Motor Mount - Large |
| 25 | 43576188 | Motor Assembly |
| | 41311017 | Motor Brushes (2) |
| | 43566016 | Motor Fan Assembly |
| 26 | 28382087 | Thermal Protector - w/ 1/4" terminals |
| | 51873001 | Thermal Protector Label |
| 27 | 21447230 | Screw (5) |
| 28 | 37196158 | Motor Cover - ABE |
| 29 | 21447228 | Screw (2) |
| 30 | 39383107 | Lens |
| 31 | 38781061 | Rope Seal |
| 32 | 37944010 | Cover - ABE |
| 33 | 21447072 | Screw |
| 34 | 47173027 | Wiring Harness - w/ 1/4" terminals |
| 35 | 27313101 | Dirt Finder Lamp |
| 36 | 34131019 | Wire Opening Plug |
| 37 | 36322030 | Motor Mount - Small |
| 38 | 38765019 | Secondary Filter |
| 39 | Note: Secondary Filter Retainers include item 53 | |
| | 36426055 | Secondary Filter Retainer-AFS-U5344-900, U5361-900 |
| | 36426057 | Secondary Filter Retainer - AFT U5347-900, U5347-960, U5363-900 |

Models U5344-900, U5347-900, U5347-960, U5348-900, U5349-900, U5361-900, U5363-900, U5365-900

| Ref. No. | Part No. | Description |
|----------|----------|---------------------------------------------|
| | 36426058 | Secondary Filter Retainer - ACU U5348-900 |
| | 36426059 | Secondary Filter Retainer - AG U5349-900 |
| | 36426064 | Secondary Filter Retainer - WW - U5365-900 |
| 40 | 21641558 | Hex Nut (2) |
| | 40201149 | Handle Hardware (Inc. It. 9) |
| 41 | 36426038 | Filter Holder - ABE |
| 42 | 38766008 | Final Filter |
| | 40110004 | Final Filter Pack (3 Layer - Qty. 2) |
| 43 | 38784089 | Intake Seal - Dirt Cup |
| 44 | 36151032 | Latch - Dirt Cup |
| 45 | 36426053 | Pre-Filter Screen |
| 46 | 36433116 | Lower Wand Holder |
| 47 | 36433117 | Upper Wand Holder |
| 48 | 36426056 | Filter Support |
| 49 | 37249025 | Dirt Cup Lid - AFS -U5344-900 |
| | 37249027 | Dirt Cup Lid - AFT -U5347-900, U5347-960 |
| | 37249028 | Dirt Cup Lid - ACU -U5348-900 |
| | 37249029 | Dirt Cup Lid - AG -U5349-900 |
| | 37249047 | Dirt Cup Lid - WW - U5365-900 |
| | 37249045 | Dirt Cup Lid - AFS - U5361-900 |
| | 37249046 | Dirt Cup Lid - AFT - U5363-900 |
| 50 | 38421104 | Latch Actuator |
| 51 | 38775089 | Dirt Cup - U5344-900 |
| | 38775092 | Dirt Cup - U5349-900 |
| | 38775090 | Dirt Cup - U5347-900, U5347-960, U5348-900 |
| | 38775102 | Dirt Cup -, U5361-900, U5363-900, U5365-900 |
| 52 | 40110008 | Primary Filter |
| 53 | 38784084 | Exhaust Seal - Dirt Cup |
| 54 | 38355015 | Spring |
| 55 | 21447041 | Screw |

Items not illustrated

| | |
|----------|------------------------------------|
| 012910-- | Attach. Cord Clamp |
| 43457024 | Nozzle Hose Extension - |
| 49811073 | Lead Wire - Red - w/ 1/4" terminal |
| 43434042 | Hose - 20' Stretch |

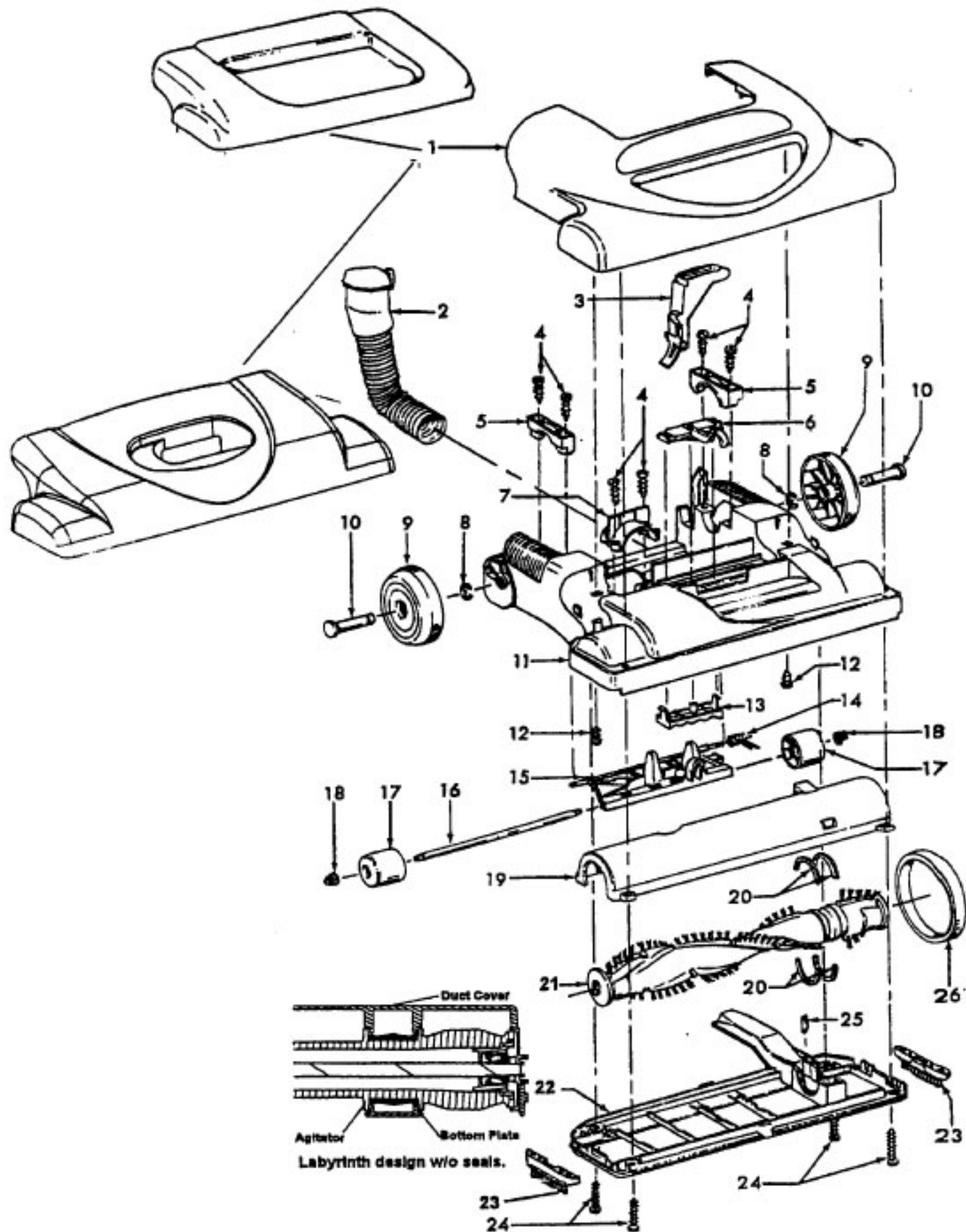
Packaging

| | |
|----------|-----------------------------------------------------------|
| 56511B49 | Owner Manual - U5344-900, U5347-900, U5347-960, U5348-900 |
| 56511B50 | Owner Manual - U5349-900 |
| 56511B83 | Owner Manual - U5361-900, U5363-900, U5365-900 |
| 58174101 | Carton |

Main Body and Components - P. 329

WindTunnel

Models U5344-900, U5347-900, U5347-960, U5348-900, U5349-900, U5361-900,
U5363-900, U5365-900,
U5409-900, U5409-955, U5409-990, U5453-900, U5461-900, U5462-900,
U5463-960, U5464-900, U5465-900, U5465-960, U5465-970, U5465-990



WindTunnel

Models U5344-900, U5347-900, U5347-960, U5348-900, U5349-900, U5361-900, U5363-900, U5365-900, U5409-900, U5409-955, U5409-990, U5453-900, U5461-900, U5462-900, U5463-960, U5464-900, U5465-900, U5465-960, U5465-970, U5465-990

| Ref. No. | Part No. | Description |
|----------|----------|--------------------------------------------------------------------------------|
| 1 | 37253284 | Deluxe Hood - ABY - U5465- 900, U5465-960, U5465-990 |
| | 37253293 | Deluxe Hood - AG -U5465-970 |
| | 37253308 | Deluxe Hood - ACL - U5463-960 |
| | 37253322 | Deluxe Hood - ACL - U5461-900 |
| | 37253352 | Standard Hood - ADX -U5409-900, U5409-955, U5409-990 |
| | 37253364 | Standard Hood - ADK - U5453-900 U5464-900 |
| | 37253386 | Standard Hood - ADS - U5462-900 |
| | 37253394 | Deluxe Hood - AFS - U5344-900 |
| | 37253399 | Deluxe Hood - AFT - U5347-900, U5347-960 |
| | 37253A01 | Deluxe Hood - ACU - U5348-900 |
| | 37253A02 | Deluxe Hood - AG - U5349-900 |
| | 37253A26 | Deluxe Hood - WW - U5365-900 |
| | 37253A22 | Std. Hood - AFS - U5361-900 |
| | 37253A23 | Std. Hood - AFT - U5363-900 |
| 2 | 43431005 | Angled Hose Conn. Assem. |
| 3 | 38458043 | Handle Release Lever |
| 4 | 21447072 | Screw Self Tapping |
| 5 | 36131094 | Trunnion Cover - ABE |
| 6 | 40309004 | Nozzle Adjustment Cam Assembly (Includes item 13) |
| 7 | 36171044 | Hose Clamp - ABE |
| 8 | 160017-- | Retaining Ring |
| 9 | 38522077 | Rear Wheel |
| 10 | 32434008 | Rear Axle - AAX |
| | 32434012 | Rear Axle - U5365-900 |
| 11 | 37242123 | Main Body - ABE |
| 12 | 21447228 | Screw Self Tapping |
| 13 | 40309004 | Nozzle Adj. Cam Assembly (Includes item 6) |
| 14 | 38355010 | Torsion Spring |
| 15 | 36432027 | Front Wheel Support |
| | 43248057 | Front Wheel Assembly - (includes 15, 16, 17, 18) |
| 16 | 32541003 | Wheel Shaft |
| 17 | 38521004 | Front Wheel |
| 18 | 36131056 | Wheel Retainer |
| 19 | 40309034 | Bottom Plate / Duct Cover Assem. Labyrinth Design (Inc. item 22) |
| | 40309026 | Bottom Plate / Duct Cover Assem. (Inc. item 22) |
| 20 | 38781053 | Agitator Pulley Seal |
| 21 | 48414115 | Agitator Assem. Comp. - 15 IN (For use on both Labyrinth and Standard Designs) |
| 22 | 40309034 | Bottom Plate / Duct Cover Assembly - Labyrinth design (Inc. item 19) |
| | 40309026 | Bottom Plate / Duct Cover- Assembly (Includes item 19) |

| Ref. No. | Part No. | Description |
|----------|----------------------|----------------------------------------------------------------------------------------------------------------|
| 23 | 39511004 36235088 | Litter Picker (2) Furniture Guard Filler (2) U5344-900, U5347-900, U5347-960, U5348-900, U5349-900 |
| 24 | 21447121 | Screw Self Tapping |
| 25 | 13261AY | Rug Nozzle Rib Shoe |
| 26 | 38528033 | Belt |