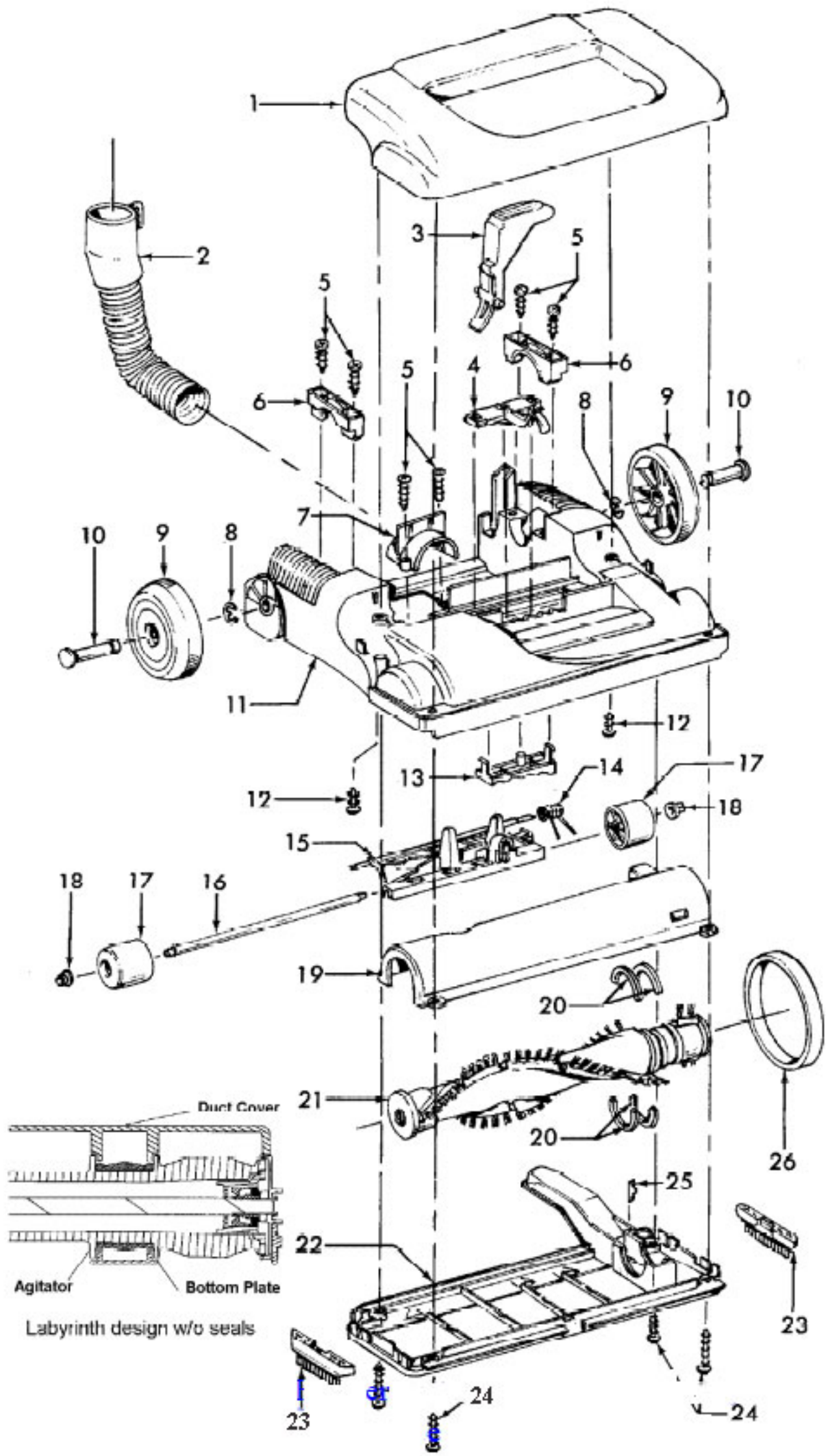


| Item | Part Number | Part Description | Alt Part | Series | Qty |
|------|-------------|-------------------------------|----------|--------|-----|
| 1 | 37911080 | HANDLE CAP-DLX-ABE | | | 1 |
| | 48663205 | UPPER HANDLE ASM COM | | | 1 |
| 2 | 3944201P | CORD WRAP | | | 1 |
| 3 | 43434031 | HOSE ASSEMBLY COMP | | | 1 |
| | 43434248 | HOSE ASSEM COMP | | | 1 |
| 4 | 36433137 | HOSE HOLDER | | | 1 |
| | 36433111 | HOSE HOLDER-ABE-U543 | | | 1 |
| 5 | 40201149 | HANDLE HARDWARE ASSEM | | | 1 |
| 6 | 36433120 | WAND/HOSE HOLDER | | | 1 |
| 7 | 21447242 | SCREW-SELF TAPPING | | | 1 |
| 8 | 23149002 | SCREW-SELF TAPPING | | | 1 |
| 9 | W10124350 | NOT REQUIRED PART OR SEE NOTE | | | 1 |
| 10 | 38641005 | DIRT DUCT | | | 1 |
| 11 | 31178017 | HOSE CONNECTOR GASKET | | | 1 |
| 12 | 34311004 | WIRE OPENING SEAL | | | 1 |
| 13 | 43431005 | HOSE DOOR ASSEM-SERVICE | | | 1 |
| 14 | 27482230 | STRAIN RELIEF | | | 1 |
| 15 | 37255029 | BAG HSG.-U5435-900 | 92001023 | | 1 |
| | 37255011 | BAG HOUSING-DLX-U543 | 40309040 | | 1 |
| | 40309040 | BAG HSG KIT-DELUXE | | | 1 |
| 16 | 46383334 | CORD-35'-WT | | | 1 |
| 17 | 43576188 | MOTOR ASSEM COMP. | 43576175 | | 1 |
| | 43566016 | FAN | | | 1 |
| 18 | 36322035 | MOTOR MOUNT-LRG | 36322037 | | 1 |
| 19 | 41311017 | MOTOR BRUSH | | | 2 |
| 20 | 51873001 | TOC LABEL-WINDTUNNEL | | | 1 |
| | 28382087 | THERMOL PROTECTOR-.250 | | | 1 |
| | 47534027 | THERMAL PROTECTOR | | | 1 |
| 21 | W10124350 | NOT REQUIRED PART OR SEE NOTE | | | 1 |
| 22 | 37196158 | MOTOR COVER-ABE | | | 1 |
| | 37196009 | MOTOR COVER-ABE-C170 | | | 1 |
| 23 | 21447230 | SCREW-SELF TAPPING-F | | | 1 |
| 24 | 21447228 | SCREW-SELF-TAPPING | | | 1 |
| 25 | 39383107 | LENS-CP | | | 1 |
| 26 | 37944010 | COVER-ABE | | | 1 |
| 27 | 27313101 | LAMP | | | 1 |
| 28 | 21447072 | SCREW | | | 1 |
| 29 | 47173027 | WIRING HARNESS | | | 1 |
| | 47173023 | WIRING HARNESS | | | 1 |
| 30 | 27618508 | WIRE CONNECTOR | | | 1 |
| 31 | 34123050 | BAG DOOR GASKET-BOTTOM | | | 1 |
| 32 | 36322030 | MOTOR MOUNT-SMALL | | | 1 |
| 33 | 66655409 | PROTECTOR TUBE | | | 1 |
| 34 | 36426033 | FILTER HOLDER-ABE-U5 | | | 1 |
| 35 | 40110004 | FINAL FILTER PK (12) | | | 1 |
| | 38766011 | FINAL FILTER-U5433-9 | | | 1 |
| 36 | 36426034 | SECONDARY FILTER RET | | | 1 |

| Item | Part Number | Part Description | Alt Part | Series | Qty |
|------|-------------|-------------------------------|----------|--------|-----|
| 37 | 38765019 | SECONDARY FILTER | | | 1 |
| 38 | 27479307 | CABLE TIE | | | 1 |
| 39 | 34131019 | WIRE OPENING PLUG | | | 1 |
| 40 | 51151010 | BAG INDICATOR | | | 1 |
| 41 | 42255110 | Bag Hsg Door-Dlx | | | 1 |
| | 42255099 | BAG HSG DOOR-ADS | 42255053 | | 1 |
| | 42255097 | BAG HSG DOOR-U5436-9 | | | 1 |
| | 42255089 | Bag Hsg. Door-ADX | 42255110 | | 1 |
| | 42255063 | BAG HSG DOOR-U5435-9 | 42255110 | | 1 |
| | 42255034 | BAG HSG DOOR ASSM-U5 | 42255053 | | 1 |
| | 37254225 | Bag Hsg Door-Dlx-ADK | | | 1 |
| | 42255114 | BAG HSING DOOR ABM | | | 1 |
| 42 | 38781057 | BAG DOOR GSKT 34.5" | | | 1 |
| 43 | 37257221 | FILTER GRILL-ABE | | | 1 |
| 44 | 40201149 | HANDLE HARDWARE ASSEM | | | 1 |
| 45 | W10124350 | NOT REQUIRED PART OR SEE NOTE | | | 1 |
| 46 | 40309033 | SWITCH KIT-SERVICE | | | 1 |
| | 28161067 | SWITCH-WT-.025 TERM | | | 1 |
| 47 | W10124350 | NOT REQUIRED PART OR SEE NOTE | | | 1 |
| 48 | W10124350 | NOT REQUIRED PART OR SEE NOTE | | | 1 |
| 49 | 4010100Y | ALLER FILT BAG Y - 3-PK | | | 1 |
| 50 | 37257260 | TOOL DOOR | | | 1 |
| 51 | 38634078 | EXTENSION TUBE-AG | | | 1 |
| 52 | 38617027 | CREVICE TOOL-ABR | | | 1 |
| 53 | 3861401E | FURNITURE NOZZLE | 38614044 | | 1 |
| 54 | 43414162 | DUSTING BRUSH-ABR-U5 | 43414174 | | 1 |
| 55 | 51869050 | WARNING LABEL-U5433- | | | 1 |
| | 56511A35 | OWNER MANUAL-U5433-9 | | | 1 |
| | 56511A67 | OWNER MANUAL | | | 1 |
| | 012910- | CORD CLAMP | | | 1 |
| | 56511A90 | OWNER MANUAL-U5436-9 | | | 1 |
| 60 | 51632002 | FILTER DOOR LABEL | | | 1 |
| | 51632003 | FILTER DOOR LABEL-U5 | | | 1 |
| | 51639143 | LABEL FILTER DOOR-U5 | | | 1 |
| | 51632001 | FILTER DOOR LABEL-U5 | | | 1 |
| 61 | 40200013 | TURBINE HAND TOOL | | | 1 |
| 63 | 37253392 | HOOD-ADS-U5423900 | | | 1 |



Illustrated Parts Lookup

Parts for MAYTAG Model "U5423900", Image Section "01 - AGITATOR, MAINBODY, HOOD"

| Item | Part Number | Part Description | Alt Part | Series | Qty |
|------|-------------|----------------------------|----------|--------|-----|
| 1 | 37253364 | HOOD-ADK | | | 1 |
| | 37253396 | Hood-std-ABY-U53399 | | | 1 |
| | 37253343 | Hood-ADK-U545-900 | | | 1 |
| | 37253350 | Hood-ADX-U5460-900 | 37253364 | | 1 |
| | 37253353 | HOOD-AG-13 | 37253389 | | 1 |
| | 37253360 | HOOD-ADX-U5457-900 | | | 1 |
| | 37253319 | HOOD-MU=U5447900 | | | 1 |
| | 37253363 | HOOD-ACL-U5435-900 | | | 1 |
| | 37253316 | HOOD-AG-U5420-900 | | | 1 |
| | 37253381 | HOOD-ACX-13 IN. | | | 1 |
| | 37253387 | HOOD-ABR-15-U5398-9 | | | 1 |
| | 37253388 | Hood-AG-U5477-900 | | | 1 |
| | 37253389 | Hood-AG-U5415-900 | | | 1 |
| | 37253391 | Hood-ADX-U5446-900 | | | 1 |
| | 37253395 | Hood-ACF-U5394-900 | | | 1 |
| | 37253361 | HOOD-13 IN.-AAY | | | 1 |
| | 37253298 | HOOD-AG-15-U5469-91 | | | 1 |
| | 37253285 | HOOD-U5433-900 | 37253290 | | 1 |
| | 37253286 | HOOD-ABY-15-U5445-9 | | | 1 |
| | 37253287 | HOOD ASSEMBLY-U5395- | | | 1 |
| | 37253289 | HOOD-AG-U5475-900 | | | 1 |
| | 37253290 | HOOD-AG - U5469-900 | | | 1 |
| | 37253342 | Hood-ADX-U5434-900 | | | 1 |
| | 37253297 | HOOD-ABY-U5451-900 | | | 1 |
| | 37253383 | HOOD-AFE-U5452-900 | 37253316 | | 1 |
| | 37253299 | HOOD-AG | | | 1 |
| | 37253305 | HOOD-U5397-900 | | | 1 |
| | 37253306 | hood-abr-15-u539690 | | | 1 |
| | 37253307 | Hood | | | 1 |
| | 37253313 | HOOD-ACF-U5449-940 | | | 1 |
| | 37253315 | HOOD ASSEMBLY-U5393 | | | 1 |
| | 37253294 | HOOD-AG-U5443-900 | | | 1 |
| | 37253A41 | HOOD-15IN-U5459 | | | 1 |
| | 37253402 | Hood-13 in.-ADK | | | 1 |
| | 37253373 | HOOD-13 IN-STD. | | | 1 |
| | 37253A42 | FALCON JR HOOD-AFT | | | 1 |
| | 37253A40 | HOOD-13IN -U5142900 | | | 1 |
| | 37253A27 | HOOD STD-AGF | | | 1 |
| | 37253A06 | HOOD-ABM - U5432900 | | | 1 |
| | 37253429 | HOOD-U5402900 | | | 1 |
| | 37253411 | HOOD-FALCOM JR 13 IN-AFS | | | 1 |
| | 37253407 | FALCON JR HOOD-13 IN-AFS | | | 1 |
| 2 | 43431005 | HOSE DOOR ASSEM-SERVICE | | | 1 |
| 3 | 38458043 | HANDLE RELEASE LEVER | | | 1 |
| 4 | 40309004 | NOZZLE ADJ LEVER & CAM KIT | | | 1 |
| 5 | 21447072 | SCREW | | | 1 |
| 6 | 36131094 | TRUNNION COVER-ABE | | | 1 |

| Item | Part Number | Part Description | Alt Part | Series | Qty |
|------|-------------|-----------------------------|----------|--------|-----|
| 7 | 36171044 | HOSE CLAMP-ABE | | | 1 |
| 8 | 160017- | LOCK RING | | | 1 |
| 9 | 38522077 | REAR WHEEL | | | 1 |
| | 43244005 | REAR WHEEL ASSM-U642 | | | 1 |
| 10 | 32434008 | REAR AXLE-AAX-U5433- | 32434007 | | 1 |
| 11 | 37242123 | MAIN BODY-ABEY | | | 1 |
| | 37242124 | MAIN BODY-ABE-U5433- | | | 1 |
| | 37242140 | MAIN BODY W/GUARD-13 IN-ABE | | | 1 |
| 12 | 21447228 | SCREW-SELF-TAPPING | | | 1 |
| 13 | 40309004 | NOZZLE ADJ LEVER & CAM KIT | | | 1 |
| 14 | 38355010 | TORSION SPRING | | | 1 |
| 15 | 36432027 | FRONT WHEEL SUPPORT-CP | | | 1 |
| | 43248057 | FRONT WHEEL ASSEMBLY | 43248064 | | 1 |
| 16 | 32541003 | WHEEL SHAFT | | | 1 |
| 17 | 38521004 | FRONT WHEEL | 43248064 | | 1 |
| 18 | 36131056 | WHEEL RETAINER - BZ | | | 1 |
| 19 | 40309025 | BTM PLATE/DUCT 13 SERVICE | | | 1 |
| | 40309034 | BMT PLATE/DUCT COVER | | | 1 |
| | 40309026 | BTM PLATE/DUCT 15 SERVICE | | | 1 |
| 20 | 38781053 | AGITATOR PULLEY SEAL | | | 1 |
| 21 | 48414110 | AGITATOR-13-SERVICE | | | 1 |
| | 48414115 | AGITATOR-15-SERVICE | | | 1 |
| 22 | 40309034 | BMT PLATE/DUCT COVER | | | 1 |
| | 40309026 | BTM PLATE/DUCT 15 SERVICE | | | 1 |
| | 40309025 | BTM PLATE/DUCT 13 SERVICE | | | 1 |
| 23 | 39511004 | LITTER PICKER | | | 2 |
| 24 | 21447121 | SCREW | | | 1 |
| 25 | 13261AY- | RIB SHOE | 013261AY | | 1 |
| 26 | 38528033 | BELT | | | 1 |
| 27 | 43414195 | DUSTING BRUSH ASSEMBLY-AGR | | | 1 |
| | 38614044 | FURNITURE NOZZLE-AGR | | | 1 |
| | 37254257 | BAG HSG DOOR-U54029 | | | 1 |
| | 36235088 | FURNITURE GUARD FILLER | | | 1 |
| | 38617032 | CREVICE TOOL-ABR | | | 1 |