

This Owner's Manual is provided and hosted by [Appliance Factory Parts](#).



HOOVER U5435-900 Owner's Manual

[Shop genuine replacement parts for HOOVER
U5435-900](#)



[Find Your HOOVER Vacuum Cleaner Parts - Select From 1456 Models](#)

----- Manual continues below part list -----

Available Replacement Parts for HOOVER U5435-900

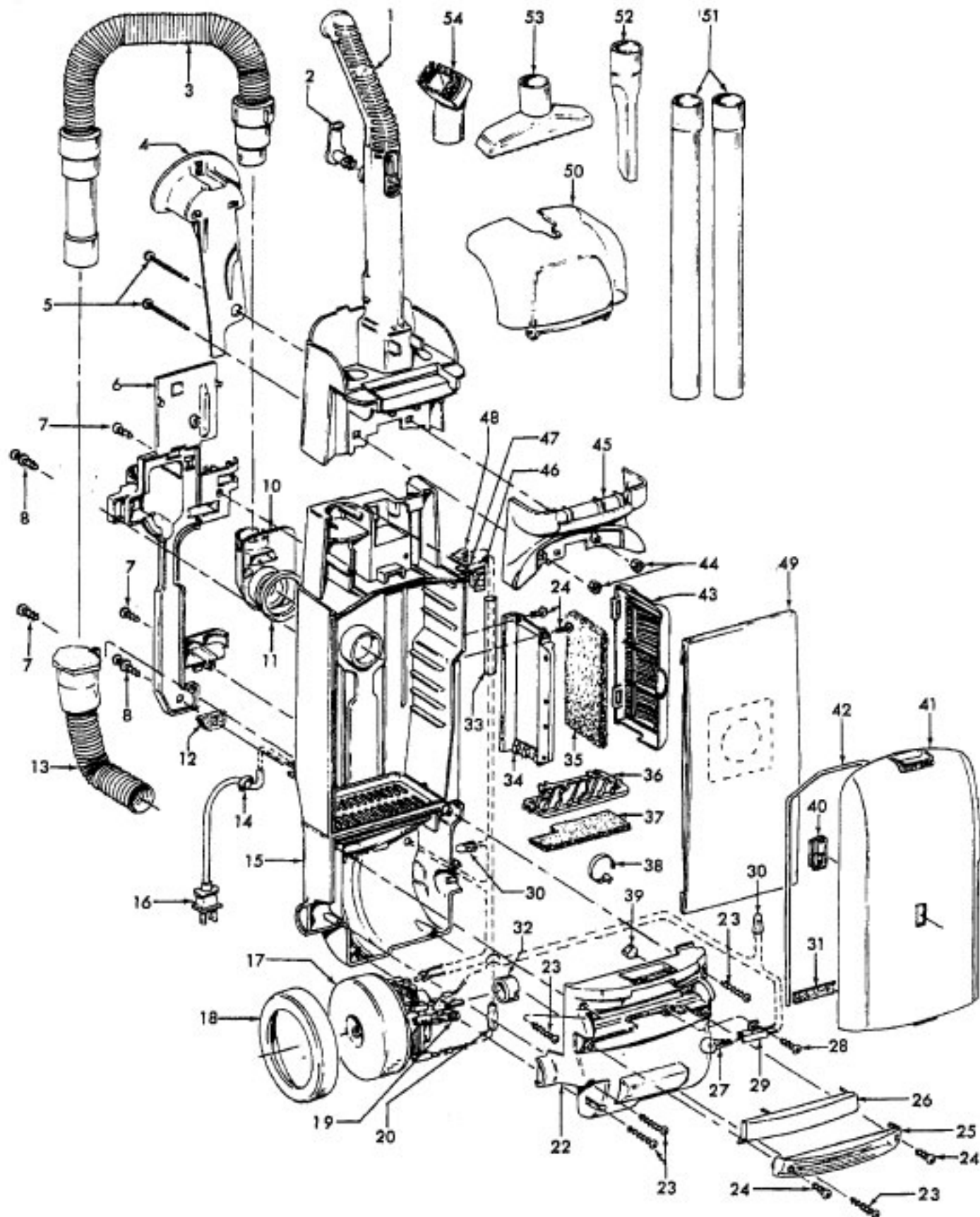
H-4010100Y	BAG VACUUM CLEANER OEM HOOVER 3 PACK
HR-1805	FITLER HOOVER 2 PACK AFTERMARKET
HR-1832	FILTER FOR VACUUM 2 pack
HR-2013	BRUSHROLLER 12.25 IN
HR-2015	ROLLER BRUSH ASSY
K-109289	BULB
FA-3035	ATTACHMENT CORD ASSY
H-36426034	Secondary filter retainer.
H-43244005	Rear wheel
H-43248057	front wheel assy
H-38528033	BELT, FLAT, 1PK

WindTunnel

Models U5433-900, U5434-900, U5435-900, U5437-960
U5446-900

Farrington WindTunnel Cleaner

Model U5436-950



WindTunnel

Models U5433-900, U5434-900, U5435-900, U5437-960
U5446-900

Farrington WindTunnel Cleaner

Model U5436-950

Ref. No.	Part No.	Description	Ref. No.	Part No.	Description
1	48663205	Handle Assem - ABE (Incl. It.2, 45)	41	Note: All Bag Housing Doors include Item 40	
2	3944201P	Cord Wrap		42255097	Bag Hsg. Door Dlx.-AAY-U5436-950
3	43434248	Hose Assem Comp.		42255053	Bag Hsg. Door Dlx. -ABY- U5433-900
4	36433111	+ Hose Holder - Early Models		42255089	+ Bag Hsg. Door - U5434-900
	36433137	Hose Holder - Late Models - see note #1		42255063	Bag Hsg. Door Dlx. - ADX -U5435-900
5	40201149	Handle Hardware Assem.		42255110	Bag Hsg. Door Dlx. - ADX-U5446-900
6	36433120	Wand/Hose Holder		42255099	Bag Hsg. Door Dlx. - ADS-U5446-900
7	21447242	Screw Self Tapping	42	38781057	Bag Door Gasket
8	23149002	Screw Self Tapping	43	37257221	Filter Grill - ABC
10	38641005	Dirt Duct - AG	44	40201149	Handle Hardware Assem
11	31178017	Hose Connector Gasket	45	N/A	Carry Handle
12	34311004	Wire Opening Seal	46	N/A	Switch - 3/16" terminals(Use 40309033 Switch Kit)
13	43431005	Angled Hose Conn. Assem. with hose door		28161067	Switch - 1/4" terminals (See note 2)
14	27482230	Strain Relief	47-48		Not Applicable
15	37255011	Bag Housing Dlx. - ABE	49	4010100Y	Throw-Away Bag (3 Pk)
	37255029	Bag Housing Dlx. - ABE (Models produced after May 2001)	50	37257260	Tool Door
	40309040	Bag Housing Kit - Dlx. (see note 3)	51	38634078	Extension Tube - AG
16	46383322	Cord - 35' - with 3/16" terminal	52	38617027	Crevice Tool - ABR
	46383334	Cord - 35' with 1/4" terminal (See note 2)	53	3861401E	Furniture Nozzle - ABR
			54	43414162	Dusting Brush - ABR
					Items not illustrated
				51869050	Warning Label
				51632001	Filter Door Label - Small
				51632002	Filter Door Label - Small - U5436-950
				51639143	Label Filter Door
				012910--	Cord Clamp
				56511B19	Owners Manual - U5435-900, U5446-900
				56511A90	Owners Manual - U5436-950
				56511A35	Owners Manual - U5433-900
				56511A67	Owners Manual - U5434-900 U5437-960
				58185185	Cleaner Carton
				58185212	Cleaner Carton - U5436-950
				49129007	Turbine Hand Tool (P.357)
					Main Body and related components (P.325)
					Note 1 - The late model tool holder was revised by adding supporting ribs to the hooks. To use the late model tool holder on an early model unit requires a new tool door. Ref: Service Bulletin 2-99
					Note 2 - Models produced after June 2000 incorporated 14 gauge wiring and associated electrical components with 1/4" terminals. Ref. Service Bulletin 4-00.
					Note 3 - The late model bag housing was revised by moving a wall in the trunnion area. To use the late model bag housing with an early model requires a new motor cover. Ref. Service Bulletin 4-01.
17	43576188	Motor Assembly Complete			
	43566016	Motor Suction Fan			
18	36322035	Motor Mount - Large			
19	41311017	Motor Brush Assembly (2)			
20	47534027	Thermal Protector - w/ 3/16" terminals			
	28382087	Thermal Protector - w/ 1/4" terminals (See note 2)			
	51873001	Thermal Protector Label			
22	37196009	Motor Cover			
	37196158	Motor Cover (Models produced after May 2001)			
23	21447230	* Screw Self Tapping			
24	21447228	* Screw Self Tapping			
25	39383107	Lens - CP			
26	37944010	Cover - ABE			
27	27313101	Dirt Finder Lamp			
28	21447072	* Screw Self Tapping			
29	47173023	Wiring Harness - with 3/16" terminals			
	47173027	Wiring Harness - with 1/4" terminals (See note 2)			
30	27618508	* Wire Nut			
31	34123050	Bag Door Gasket - Bottom			
32	36322030	Motor Mount - Small			
33	66655409	Protector Tube			
34	36426033	Filter Holder - ABE			
35	38766011	Final Filter			
	38766007	Final Filter - 2 Layer - U5436-950			
36	36426034	Secondary Filter Retainer			
37	38765019	Secondary Filter			
38	27479307	* Lead Wire Tie			
39	34131019	Wire Opening Plug			
40	51151010	Indicator Assembly			

WindTunnel

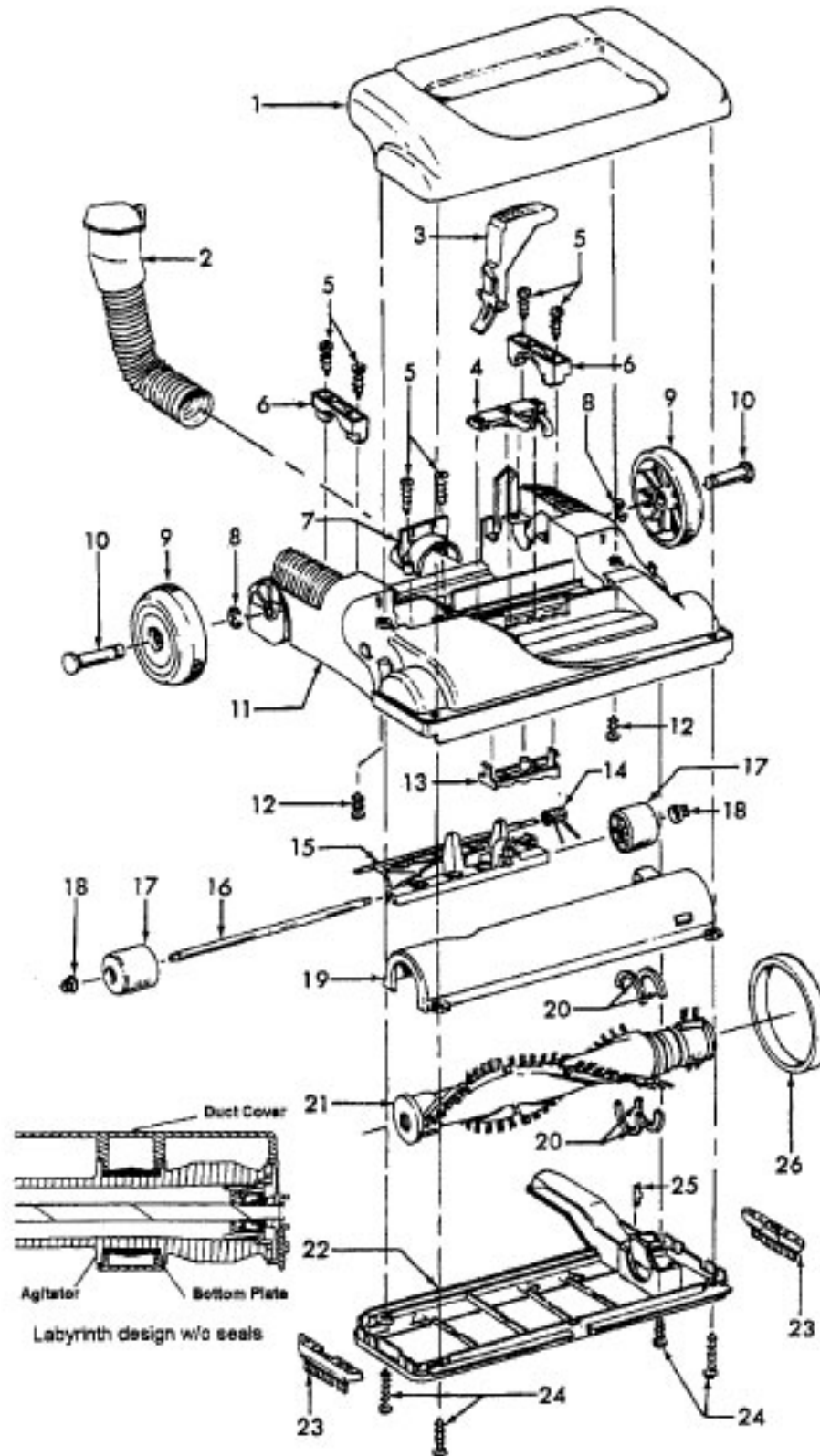
Models U5330-900 (15"), U5393-900(13"), U5394-900(13"), U5395-900(13"), ** U5395-940(13"), * U5395-960 (13"), U5395-970(13"), U5396-900(15"), ***** U5396-960 (15"), U5397-900(15"), U5398-900 (15"), *****U5398-990 (15 IN), U5399-900 (13 IN), U5403-900 (13"), U5433-900(13"), U5434-900(13"), U5435-900(13"), U5437-960, U5443-900(15"), U5439-900(13"), ***U5443-940(15"), ****U5443-960(15"), U5445-900(15"), *** U5445-940(15"), U5446-900, U5447-900 (15"), U5449-940 (15"), U5450-900 (15"), U5451-900(15"), U5454-900 (15"), U5456-900 (15"), U5457-900(15"), U5460-900 (15")

WT TurboPOWER

Model U5415-900 (13"), U5420-900(15"), U5469-900(13"), U5469-910(15"), U5475-900(15")***** U5475-960 (15"), U5477-900 (15")

WT Farrington

Model U5436-950, U5452-900 (15")



WindTunnel Models U5330-900 (15"), U5393-900(13"), U5394-900(13"), U5395-900(13"), ** U5395-940(13"), * U5395-960 (13"), U5395-970(13"), U5396-900(15"), ***** U5396-960 (15"), U5397-900(15"), U5398-900 (15"), *****U5398-990 (15 IN), U5399-900 (13 IN), U5403-900 (13"), U5433-900(13"), U5434-900(13"), U5435-900(13"), U5437-960, U5443-900(15"), U5439-900(13"), ***U5443-940(15"), ****U5443-960(15"), U5445-900(15"), *** U5445-940(15"), U5446-900, U5447-900 (15"), U5449-940 (15"), U5450-900 (15"), U5451-900(15"), U5454-900 (15"), U5456-900 (15"), U5457-900(15"), U5460-900 (15")

WT TurboPOWER Model U5415-900 (13"), U5420-900(15"), U5469-900(13"), U5469-910(15"), U5475-900(15")***** U5475-960 (15"), U5477-900 (15")

WT Farrington Model U5436-950, U5452-900 (15")

Ref. No.	Part No.	Description	Ref. No.	Part No.	Description
1	37253285	Hood - ABY - 13 IN - U5433-900	11	37242124	Main Body - ABE - 13 IN
	37253287	Hood - ABY - 13 IN - U5395-900		37242123	Main Body - ABE - 15 IN
	37253290	Hood - AG - 13 IN - U5469-900	12	21447228	* Screw Self Tapping
	37253307	Hood - ACM - 13 IN - U5403-900	13	40309004	Nozzle Adj. Lever / Cam Assembly (Inc. item 4)
	37253315	Hood - AG - 13 IN - U5393-900	14	38355010	Torsion Spring
	37253342	Hood - ADX - 13 IN - U5434-900	15	43248057	Front Wheel Assem. (Inc items 15, 16, 17, 18)
	37253353	Hood - AG - 13 IN - U5415-900	16	32541003	Wheel Shaft
	37253389	Hood - AG - 13 IN CP 25.0 - U5415-900	17	38521004	Front Wheel
	37253361	Hood - AAY - 13 IN - U5436-950	18	36131056	* Wheel Retainer
	37253373	Hood - ADS - 13 IN - U5439-900, U5437-960	19	40309034	Bottom Plate / Duct Cover - 15 IN Labyrinth design (See illustration)
	37253381	Hood - ACX - 13" - U5330-900		40309025	Bottom Plate / Duct Cover - 13 IN (Incl. it. 22)
	37253395	Hood - ACF - 13" - U5394-900		40309026	Bottom Plate / Duct Cover - 15 IN (Inc. item 22)
	37253396	Hood - ABY - 13 IN - U5399-900	20	38781053	* Agitator Pulley Seal
	37253286	Hood - ABY - 15 IN - U5445-900	21	48414115	Agitator Assem. Comp. - 15 IN
	37253289	Hood - AG - 15 IN - U5475-900 - (Early models w/ Standard Hood)		48414110	Agitator Assem. Comp. - 13 IN
	37253299	Hood - AG - 15 IN - U5475-900 - (Late models w/ Deluxe Hood)	22	40309034	Bottom Plate / Duct Cover - 15 IN Labyrinth design (See illustration)
	37253294	Hood - AG - 15 IN - U5443-900		40309025	Bottom Plate / Duct Cover - 13 IN (Incl. it. 19)
	37253297	Hood - ABY - 15 IN - U5451-900		40309026	Bottom Plate / Duct Cover - 15 IN (Incl. it. 19)
	37253298	Hood - AG - 15 IN - U5469-910	23	39511004	Litter Picker (2)
	37253305	Hood - ACL - 15 IN - U5397-900	24	21447121	+*Screw Self Tapping
	37253313	Hood - ACF - 15 IN - U5449-940	25	13261AY	* Rug Nozzle Rib Shoe
	37253316	Hood - AG - 15 IN - U5420-900	26	38528033	Belt
	37253306	Hood - ABR - 15 IN - U5396-900			
	37253319	Hood - MU - 15 IN - U5447-900			
	37253343	Hood - ADK - 15 IN - U5450-900			
	N/A	Hood - AAY - 15 IN - U5452-900			
	37253350	Hood - ADX - 15 IN - U5456-900, U5460-900			
	37253360	Hood - ADY - 15 IN - U5457-900			
	37253383	Hood - AFE - 15 IN - U5452-900 (Models produced after 5/01)			
	37253363	Hood - ACL - 15 IN - U5435-900			
	37253387	Hood - ABR - 15 IN - U5398-900			
	37253391	Hood - ADX - 15 IN - U5454-900, U5446-900,			
	37253388	Hood - AG - 15 IN - U5477-900			
2	43431005	Angled Hose Conn. Assem. w/ Hose Door (models w/o nozzle hose extension)			
3	38458043	Handle Release Lever			
4	40309004	Nozzle Adj. Lever / Cam Assembly (Inc. item 13)			
5	21447072	* Screw Self Tapping			
6	36131094	Trunnion Cover - ABE			
7	36171044	Hose Clamp - ABE			
8	160017	* Retaining Ring			
9	38522077	Rear Wheel			
	43244005	Rear Wheel - U5452-900			
10	32434008	Rear Axle - AAX			

* Model U5395-960 is identical to model U5395-900 except for addition of deluxe hose and nozzle hose extension.

** Model U5395-940 is identical to model U5395-900 except for additional 6 Throw-away bags.

*** Model U5443-940 and U5445-940 are identical to models U5443-940 and U5445-940 respectively except for additional 6 Throw-away bags.

**** Model U5443-960 is identical to model U5443-900 except for the addition of the extra 20' hose.

***** U5396-960 is identical to model U5396-900 except for the addition of the extra 20' hose.

***** Model U5475-960 is identical to model U5475-900 except for 31' cord and addition of 20' hose.

*****Model U5398-990 is identical to model U5398-900 except for the addition of a turbine powered hand tool.