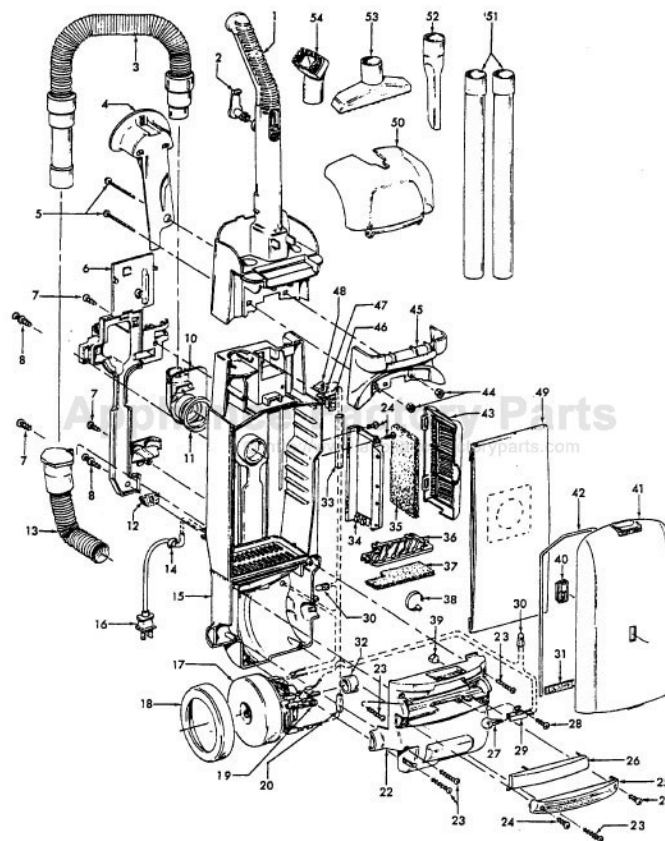


This Owner's Manual is provided and hosted by [Appliance Factory Parts](#).



HOOVER U5446-960 Owner's Manual

[Shop genuine replacement parts for HOOVER
U5446-960](#)

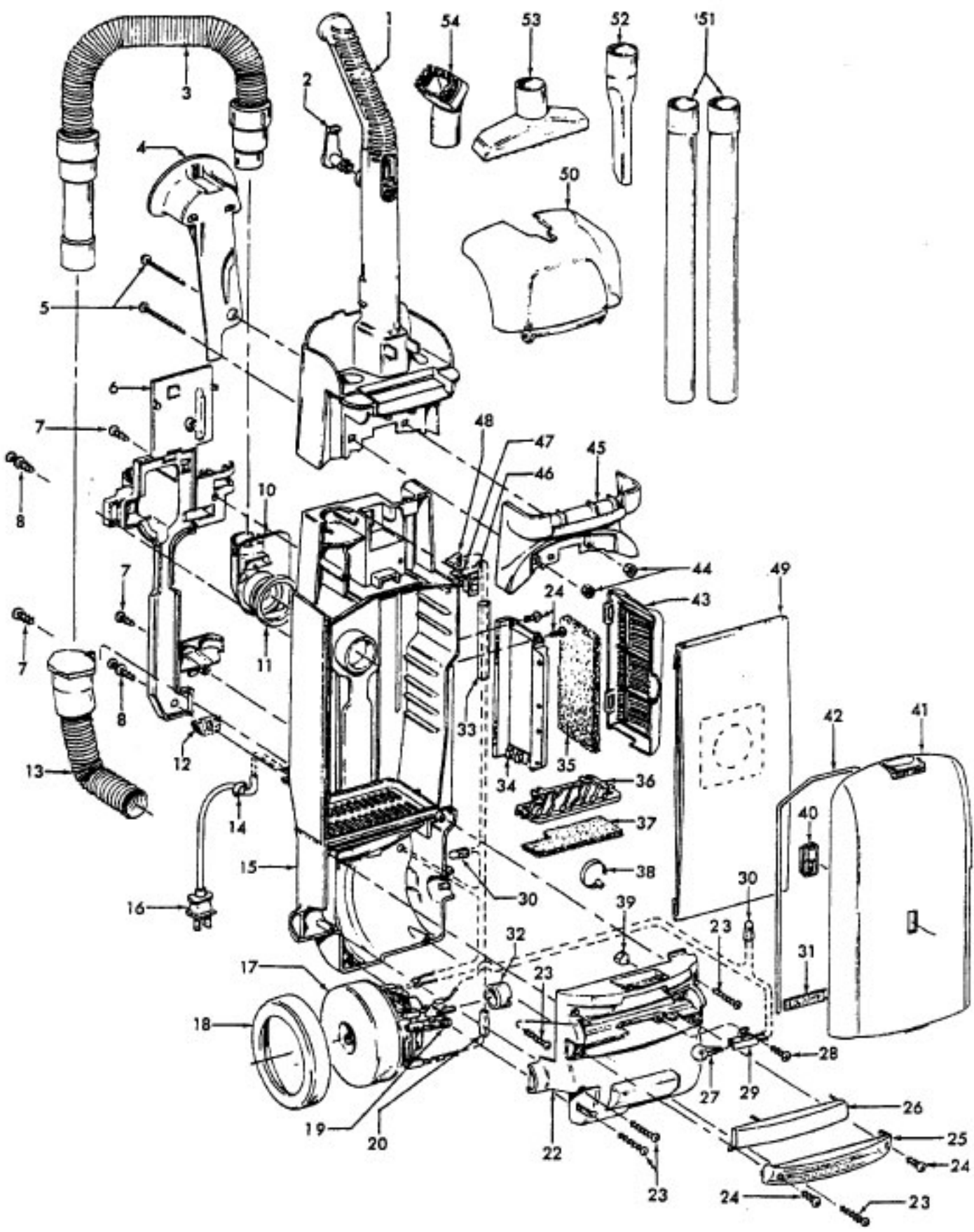


[Find Your HOOVER Vacuum Cleaner Parts - Select From 1456 Models](#)

----- Manual continues below part list -----

Available Replacement Parts for HOOVER U5446-960

| | |
|----------------------------|--------------------------------------|
| H-4010100Y | BAG VACUUM CLEANER OEM HOOVER 3 PACK |
| HR-1805 | FITLER HOOVER 2 PACK AFTERMARKET |
| HR-1832 | FILTER FOR VACUUM 2 pack |
| HR-2013 | BRUSHROLLER 12.25 IN |
| HR-2015 | ROLLER BRUSH ASSY |
| K-109289 | BULB |
| FA-3035 | ATTACHMENT CORD ASSY |
| H-36426034 | Secondary filter retainer. |
| H-43244005 | Rear wheel |
| H-43248057 | front wheel assy |
| H-38528033 | BELT, FLAT, 1PK |



WindTunnel

Models U5432-900, U5433-900, U5434-900, U5435-900,
U5437-960, U5446-900, *U5446-960

Farrington WindTunnel Cleaner

Model U5436-950

| Ref. No. | Part No. | Description |
|----------|----------|---|
| 1 | 48663205 | Handle Assem - ABE (Incl. It.2, 45) |
| 2 | 3944201P | Cord Wrap |
| 3 | 43434248 | Hose Assem Comp. |
| 4 | 36433111 | + Hose Holder - Early Models |
| | 36433137 | Hose Holder - Late Models - see note #1 |
| 5 | 40201149 | Handle Hardware Assem. |
| 6 | 36433120 | Wand/Hose Holder |
| 7 | 21447242 | Screw Self Tapping |
| 8 | 23149002 | Screw Self Tapping |
| 10 | 38641005 | Dirt Duct - AG |
| 11 | 31178017 | Hose Connector Gasket |
| 12 | 34311004 | Wire Opening Seal |
| 13 | 43431005 | Angled Hose Conn. Assem. with hose door |
| 14 | 27482230 | Strain Relief |
| 15 | 37255011 | Bag Housing Dlx. - ABE |
| | 37255029 | Bag Housing Dlx. - ABE (Models produced after May 2001) |
| | 40309040 | Bag Housing Kit - Dlx. (see note 3) |
| 16 | 46383322 | Cord - 35' - with 3/16" terminal |
| | 46383334 | Cord - 35' with 1/4" terminal (See note 2) |
| 17 | 43576188 | Motor Assembly Complete |
| | 43566016 | Motor Suction Fan |
| 18 | 36322035 | Motor Mount - Large |
| 19 | 41311017 | Motor Brush Assembly (2) |
| 20 | 47534027 | Thermal Protector - w/ 3/16" terminals |
| | 28382087 | Thermal Protector - w/ 1/4" terminals (See note 2) |
| | 51873001 | Thermal Protector Label |
| 22 | 37196009 | Motor Cover |
| | 37196158 | Motor Cover (Models produced after May 2001) |
| 23 | 21447230 | * Screw Self Tapping |
| 24 | 21447228 | * Screw Self Tapping |
| 25 | 39383107 | Lens - CP |
| 26 | 37944010 | Cover - ABE |
| 27 | 27313101 | Dirt Finder Lamp |
| 28 | 21447072 | * Screw Self Tapping |
| 29 | 47173023 | Wiring Harness - with 3/16' terminals |
| | 47173027 | Wiring Harness - with 1/4" terminals (See note 2) |
| 30 | 27618508 | * Wire Nut |
| 31 | 34123050 | Bag Door Gasket - Bottom |
| 32 | 36322030 | Motor Mount - Small |
| 33 | 66655409 | Protector Tube |
| 34 | 36426033 | Filter Holder - ABE |
| 35 | 38766011 | Final Filter |
| 36 | 36426034 | Secondary Filter Retainer |
| 37 | 38765019 | Secondary Filter |
| 38 | 27479307 | * Lead Wire Tie |
| 39 | 34131019 | Wire Opening Plug |
| 40 | 51151010 | Indicator Assembly |

| Ref. No. | Part No. | Description |
|------------------------------|--|---|
| 41 | Note: All Bag Housing Doors include items 31 & 42 | |
| | 42255097 | Bag Hsg. Door Dlx. -AAY-U5436-950 |
| | 42255053 | Bag Hsg. Door Dlx. -ABY- U5433-900 |
| | 42255089 | + Bag Hsg. Door - U5434-900 |
| | 42255063 | Bag Hsg. Door Dlx. - ADX -U5435-900 |
| | 42255110 | Bag Hsg. Door Dlx. - ADX-U5446-900 |
| | 42255099 | Bag Hsg. Door Dlx. - ADS-U5446-900 |
| | 42255114 | Bag Hsg. Door Dlx. - ABM-U5432-900 |
| 42 | 38781057 | Bag Door Gasket |
| 43 | 37257221 | Filter Grill - ABC |
| 44 | 40201149 | Handle Hardware Assem |
| 45 | N/A | Carry Handle |
| 46 | N/A | Switch - 3/16" terminals(Use 40309033 Switch Kit) |
| | 28161067 | Switch - 1/4" terminals (See note 2) |
| 47-48 | | Not Applicable |
| 49 | 4010100Y | Throw-Away Bag (3 Pk) |
| 50 | 37257260 | Tool Door |
| 51 | 38634078 | Extension Tube - AG |
| 52 | 38617027 | Crevice Tool - ABR |
| 53 | 3861401E | Furniture Nozzle - ABR |
| 54 | 43414162 | Dusting Brush - ABR |
| Items not illustrated | | |
| | 51869050 | Warning Label |
| | 51632001 | Filter Door Label - Small |
| | 51632002 | Filter Door Label - Small - U5436-950 |
| | 51639143 | Label Filter Door |
| | 012910-- | Cord Clamp |
| | 56511B19 | Owners Manual - U5435-900, U5446-900 |
| | 56511A90 | Owners Manual - U5436-950 |
| | 56511A35 | Owners Manual - U5433-900 |
| | 56511A67 | Owners Manual - U5434-900 U5437-960 |
| | 58185185 | Cleaner Carton |
| | 58185212 | Cleaner Carton - U5436-950 |
| | 49129007 | Turbine Hand Tool (P.357) |

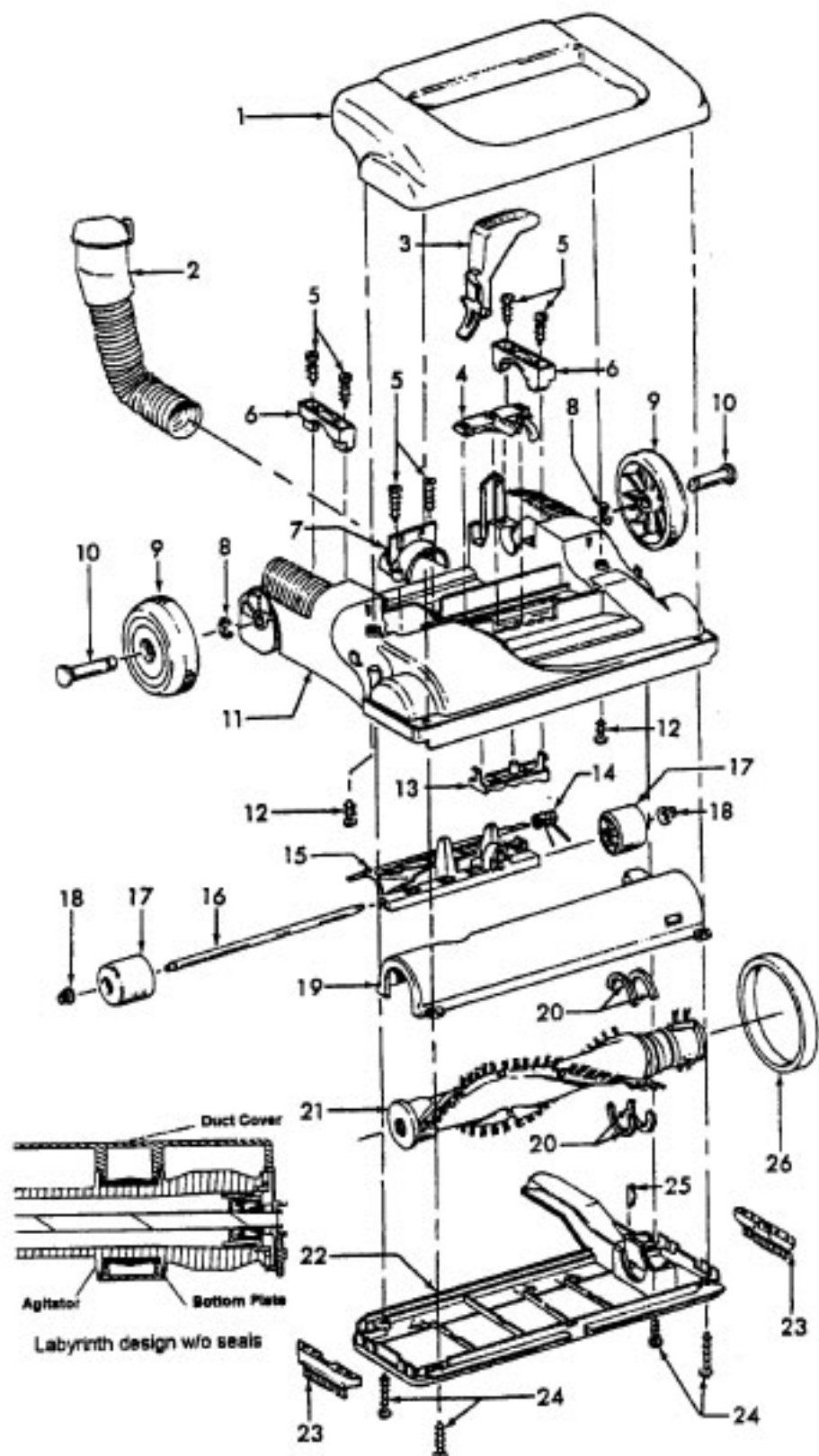
Main Body and related components (P.325)

Note 1 - The late model tool holder was revised by adding supporting ribs to the hooks. To use the late model tool holder on an early model unit requires a new tool door. Ref: Service Bulletin 2-99

Note 2 - Models produced after June 2000 incorporated 14 gauge wiring and associated electrical components with 1/4" terminals. Ref. Service Bulletin 4-00.

Note 3 - The late model bag housing was revised by moving a wall in the trunnion area. To use the late model bag housing with an early model requires a new motor cover. Ref. Service Bulletin 4-01.

* The model U5446-960 is a bonus pack which includes the model U5446-900 plus a turbine powered hand tool. (49129010) Bonus bags were removed from this model.



WindTunnel Models U5330-900 (15"), U5393-900(13"), U5394-900(13"), U5395-900(13"), ** U5395-940(13"), * U5395-960 (13"), U5395-970(13"), U5396-900 (15"), ***** U5396-960 (15"), U5397-900(15"), U5398-900 (15"), *****U5398-990 (15 IN), U5399-900 (13 IN), U5403-900 (13"), U5432-900(13"), U5433-900(13"), U5434-900(13"), U5435-900(13"), U5437-960, U5443-900(15"), U5439-900(13"), ***U5443-940(15"), ****U5443-960(15"), U5445-900(15"), *** U5445-940(15"), U5446-900,*****U5446-960 U5447-900 (15"), U5449-940 (15"), U5450-900 (15"), U5451-900(15"), U5454-900 (15"), U5456-900 (15"), U5457-900(15"), U5460-900 (15")

WT TurboPOWER Model U5415-900 (13"), U5420-900(15"), U5469-900(13"), U5469-910(15"), U5475-900(15")***** U5475-960 (15"), U5477-900 (15")

WT Farrington Model U5436-950, U5452-900 (15")

| Ref. No. | Part No. | Description |
|----------|----------|--|
| 1 | 37253285 | Hood - ABY - 13 IN - U5433-900 |
| | 37253287 | Hood - ABY - 13 IN - U5395-900 |
| | 37253290 | Hood - AG - 13 IN - U5469-900 |
| | 37253307 | Hood - ACM - 13 IN - U5403-900 |
| | 37253315 | Hood - AG - 13 IN - U5393-900 |
| | 37253342 | Hood - ADX - 13 IN - U5434-900 |
| | 37253353 | Hood - AG - 13 IN - U5415-900 |
| | 37253389 | Hood - AG - 13 IN CP 25.0 - U5415-900 |
| | 37253361 | Hood - AAY - 13 IN - U5436-950 |
| | 37253373 | Hood - ADS - 13 IN - U5439-900, U5437-960 |
| | 37253381 | Hood - ACX - 13" - U5330-900 |
| | 37253395 | Hood - ACF - 13" - U5394-900 |
| | 37253396 | Hood - ABY - 13 IN - U5399-900 |
| | 37253A06 | Hood - ABM - 13 IN - U5432-900 |
| | 37253363 | Hood - ACL - 13 IN - U5435-900 |
| | 37253286 | Hood - ABY - 15 IN - U5445-900 |
| | 37253289 | Hood - AG - 15 IN - U5475-900 - (Early models w/ Standard Hood) |
| | 37253299 | Hood - AG - 15 IN - U5475-900 - (Late models w/ Deluxe Hood) |
| | 37253294 | Hood - AG - 15 IN - U5443-900 |
| | 37253297 | Hood - ABY - 15 IN - U5451-900 |
| | 37253298 | Hood - AG - 15 IN - U5469-910 |
| | 37253305 | Hood - ACL - 15 IN - U5397-900 |
| | 37253313 | Hood - ACF - 15 IN - U5449-940 |
| | 37253316 | Hood - AG - 15 IN - U5420-900 |
| | 37253306 | Hood - ABR - 15 IN - U5396-900 |
| | 37253319 | Hood - MU - 15 IN - U5447-900 |
| | 37253343 | Hood - ADK - 15 IN - U5450-900 |
| | N/A | Hood - AAY - 15 IN - U5452-900 |
| | 37253350 | + Hood - ADX - 15 IN - U5456-900, U5460-900 |
| | 37253360 | Hood - ADY - 15 IN - U5457-900 |
| | 37253383 | Hood - AFE - 15 IN - U5452-900 (Models produced after 5/01) |
| | 37253363 | Hood - ACL - 15 IN - U5435-900 |
| | 37253387 | Hood - ABR - 15 IN - U5398-900, U5398-990 |
| | 37253391 | Hood - ADX - 15 IN - U5454-900, U5446-900, |
| | 37253388 | Hood - AG - 15 IN - U5477-900 |
| 2 | 43431005 | Angled Hose Conn. Assem. w/ Hose Door (models w/o nozzle hose extension) |
| 3 | 38458043 | Handle Release Lever |
| 4 | 40309004 | Nozzle Adj. Lever / Cam Assembly (Inc. item 13) |
| 5 | 21447072 | * Screw Self Tapping |
| 6 | 36131094 | Trunnion Cover - ABE |
| 7 | 36171044 | Hose Clamp - ABE |
| 8 | 160017 | * Retaining Ring |

| Ref. No. | Part No. | Description |
|----------|----------|---|
| 9 | 38522077 | Rear Wheel |
| | 43244005 | Rear Wheel - U5452-900 |
| 10 | 32434008 | Rear Axle - AAX |
| 11 | 37242124 | Main Body - ABE - 13 IN |
| | 37242123 | Main Body - ABE - 15 IN |
| 12 | 21447228 | * Screw Self Tapping |
| 13 | 40309004 | Nozzle Adj. Lever / Cam Assembly (Inc. item 4) |
| 14 | 38355010 | Torsion Spring |
| 15 | 43248057 | Front Wheel Assem. (Inc items 15, 16, 17, 18) |
| 16 | 32541003 | Wheel Shaft |
| 17 | 38521004 | Front Wheel |
| 18 | 36131056 | * Wheel Retainer |
| 19 | 40309034 | Bottom Plate / Duct Cover - 15 IN Labyrinth design (See Illustration) |
| | 40309025 | Bottom Plate / Duct Cover - 13 IN (Incl. It. 22) |
| | 40309026 | Bottom Plate / Duct Cover - 15 IN (Inc. item 22) |
| 20 | 38781053 | * Agitator Pulley Seal |
| 21 | 48414115 | Agitator Assem. Comp. - 15 IN |
| | 48414110 | Agitator Assem. Comp. - 13 IN |
| 22 | 40309034 | Bottom Plate / Duct Cover - 15 IN Labyrinth design (See Illustration) |
| | 40309025 | Bottom Plate / Duct Cover - 13 IN (Incl. It. 19) |
| | 40309026 | Bottom Plate / Duct Cover - 15 IN (Incl. It. 19) |
| 23 | 39511004 | Litter Picker (2) |
| 24 | 21447121 | +*Screw Self Tapping |
| 25 | 13261AY | * Rug Nozzle Rib Shoe |
| 26 | 38528033 | Belt |

* Model U5395-960 is identical to model U5395-900 except for addition of deluxe hose and nozzle hose extension.

** Model U5395-940 is identical to model U5395-900 except for additional 6 Throw-away bags.

*** Model U5443-940 and U5445-940 are identical to models U5443-940 and U5445-940 respectively except for additional 6 Throw-away bags.

**** Model U5443-960 is identical to model U5443-900 except for the addition of the extra 20' hose.

***** U5396-960 is identical to model U5396-900 except for the addition of the extra 20' hose.

***** Model U5475-960 is identical to model U5475-900 except for 31' cord and addition of 20' hose.

*****Model U5398-990 is identical to model U5398-900 except for the addition of a turbine powered hand tool.

*****Model U5446-960 is a bonus pack which includes the model U5446-900 plus a turbine powered hand tool. (49129010). Bonus bags were removed from this model.