

This Owner's Manual is provided and hosted by [Appliance Factory Parts](#).



HOOVER U5491-900 Owner's Manual

[Shop genuine replacement parts for HOOVER
U5491-900](#)



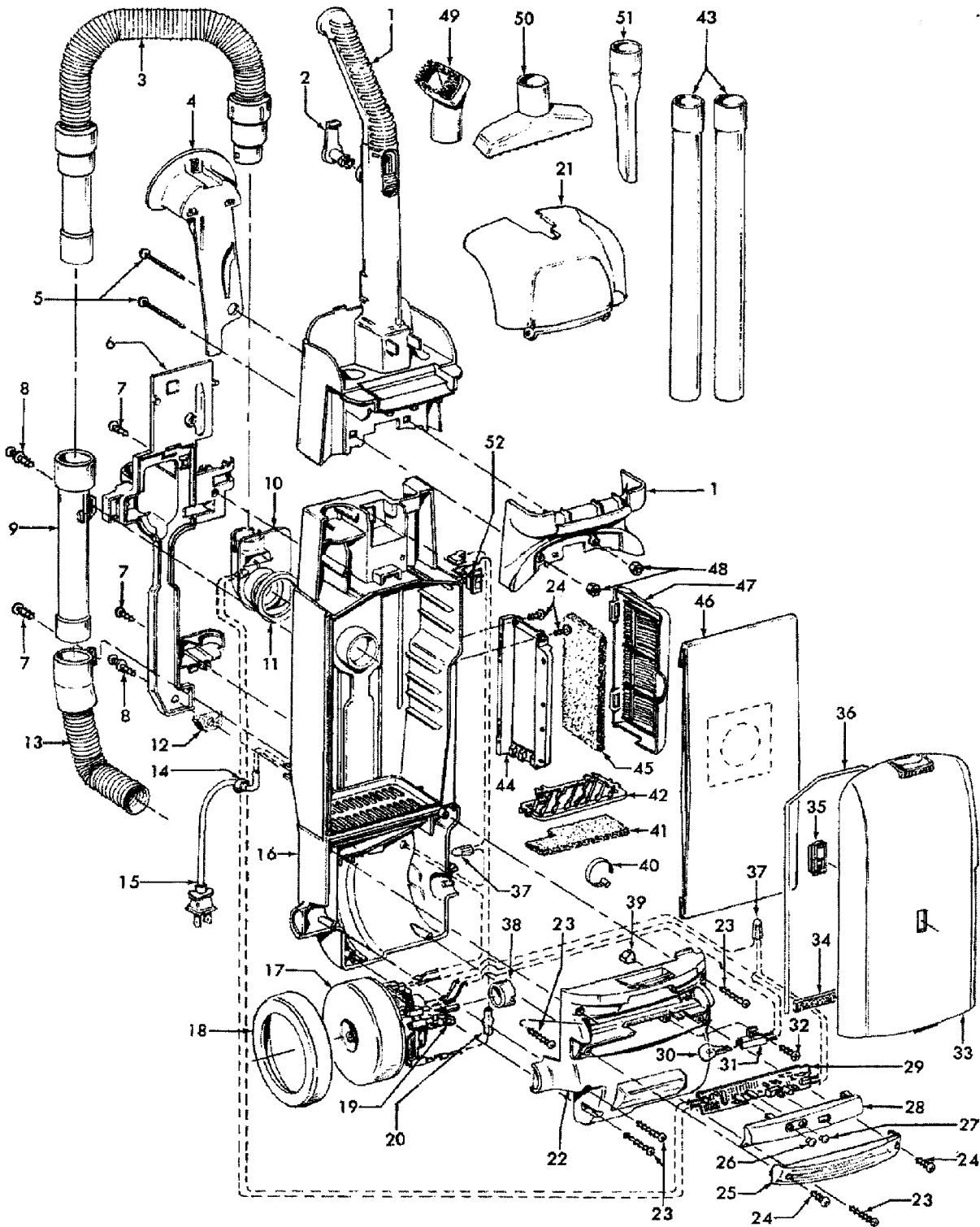
[Find Your HOOVER Vacuum Cleaner Parts - Select From 1455 Models](#)

----- Manual continues below -----



WINDTUNNEL™ SUPREME

ASSEMBLY SCHEMATIC



- U5458-900
- U5458-910
- U5460-900
- U5462-900
- U5467-900
- U5468-900
- U5470-900
- U5471-900
- U5472-900
- U5473-900
- U5481-900
- U5491-900
- U5491-950



WINDTUNNEL™

S U P R E M E

PART LISTING

| ITEM | PART NUMBER | MODELS TO FIT | PART DESCRIPTION |
|------|-------------|--------------------|---|
| 1 | H-37911080 | ALL | HANDLE CAP / DELUXE - DARK CHARCOAL GRAY |
| | H-48663205 | ALL | UPPER HANDLE COMPLETE - DARK CHARCOAL GRAY |
| | H-39466123 | U5491900, U5491950 | UPPER HANDLE COMPLETE - D - STYLE HANDLE |
| 2 | H-39442048 | ALL | CORD WRAP - MAGNESIUM GRAY |
| | H-39442056 | ALL | CORD WRAP - BLACK |
| 3 | H-43434031 | ALL | HOSE ASSEMBLY COMPLETE |
| 4 | H-36433137 | ALL | HOSE HOLDER - DARK CHARCOAL GRAY |
| 5 | H-40201149 | ALL | HANDLE HARDWARE ASSEMBLY |
| 6 | H-36433120 | ALL | WAND/HOSE HOLDER - DARK CHARCOAL GRAY |
| 7 | H-21447242 | ALL | SCREW - SELF TAPPING |
| 8 | H-23149002 | ALL | SCREW - SELF TAPPING |
| 9 | H-43457024 | ALL | HOSE DOOR ASSEMBLY |
| 10 | H-47823003 | ALL | EDF MICRO/DUCT ASSEMBLY |
| 11 | H-31178017 | ALL | HOSE CONNECTOR GASKET |
| 12 | H-34311004 | ALL | WIRE OPENING SEAL |
| 13 | H-43431005 | ALL | HOSE DOOR ASSEMBLY |
| 14 | H-27482230 | ALL | STRAIN RELIEF |
| 15 | H-46383334 | ALL | CORD - 35' |
| 16 | H-92001023 | ALL | BAG HOUSING DELUXE - DARK CHARCOAL GRAY |
| | H-40309040 | ALL | BAG HOUSING KIT - DLX INCL MOTOR HOUSING |
| 17 | H-27212057 | ALL | MOTOR ASSEMBLY COMPLETE |
| | H-33426001 | ALL | NUT |
| | H-90001206 | ALL | FAN ASSEMBLY |
| 18 | H-36322037 | ALL | MOTOR MOUNT - LARGE |
| 19 | H-41311017 | ALL | MOTOR BRUSH |
| 20 | H-47534027 | U5462900 | THERMAL PROTECTOR - 3/16 |
| | H-28382087 | ALL | THERMAL PROTECTOR - .250 |
| 21 | H-37257260 | ALL | TOOL DOOR |
| 22 | H-37196009 | U5491900, U5491950 | MOTOR COVER - BLACK |
| | H-37196158 | ALL | MOTOR COVER - DARK CHARCOAL GRAY |
| 23 | H-21447230 | ALL | SCREW - SELF TAPPING |
| 24 | H-21447228 | ALL | SCREW - SELF TAPPING |
| 25 | H-39383107 | ALL | LENS |

MODEL No.

U5458-900
 U5458-910
 U5460-900
 U5462-900
 U5467-900
 U5468-900
 U5470-900
 U5471-900
 U5472-900
 U5473-900
 U5481-900
 U5491-900
 U5491-950



WINDTUNNEL™

S U P R E M E

PART LISTING

| ITEM | PART NUMBER | MODELS TO FIT | PART DESCRIPTION |
|------|-------------|----------------------------------|---|
| 26 | H-27352030 | ALL | SNAP IN LENS - RED |
| 27 | H-27352031 | ALL | SNAP IN LENS - GREEN |
| 28 | H-42258001 | ALL EXCEPT U5460900, U5462900 | EDF COVER / 2 LIGHTS - DARK CHARCOAL GRAY |
| | H-42258003 | U5491900, U5491950 | EDF COVER / 2 LIGHTS |
| | H-42258002 | U5460900, U5462900 | EDF COVER / 3 LIGHTS - DARK CHARCOAL GRAY |
| 29 | H-46851083 | ALL EXCEPT U5460900, U5462900 | EDF PRINTED CIRCUIT BOARD / 2 LIGHTS |
| | H-46851032 | U5460900, U5462900 | EDF PRINTED CIRCUIT BOARD / 3 LIGHTS |
| 30 | H-27313101 | ALL | LAMP / LIGHT BULB |
| 31 | H-47173028 | U5460900, U5462900 | WIRING HARNESS - RIGHT FLAG TERMINAL |
| | H-47173027 | ALL EXCEPT U5460900, U5462900 | WIRING HARNESS - STRAIGHT TERMINAL |
| 32 | H-21447072 | ALL | SCREW |
| 33 | N.A. | U5458900, U5458910, U5460900 | BAG HOUSING DOOR DELUXE INCL #34 & #36 - SAPPHIRE TRANSPARENT |
| | N.A. | U5462900, U5467900 | BAG HOUSING DOOR DELUXE INCL #34 & #36 - SILVER QUARTZ METALLIC |
| | N.A. | U5460900 | BAG HOUSING DOOR DELUXE INCL #34 & #36 - DARK SPRUCE TRANSPARENT |
| | H-92001091 | U5470900, U5481900 | BAG HOUSING DOOR DELUXE INCL #34 & #36 - SAGE GREEN METALLIC |
| | H-37254287 | U5471900 | BAG HOUSING DOOR DELUXE INCL #34 & #36 - LEGACY PURPLE |
| | H-37254288 | U5472900 | BAG HOUSING DOOR DELUXE INCL #34 & #36 - SILVER QUARTZ METALLIC |
| | H-37254285 | U5473900 | BAG HOUSING DOOR DELUXE INCL #34 & #36 - CATALINA BLUE |
| | H-37254283 | U5491900, U5491950 | BAG HOUSING DOOR DELUXE INCL #34 & #36 - TECHNO BLUE METALLIC |
| 34 | H-34123050 | ALL | BAG DOOR GASKET - BOTTOM |
| 35 | H-51151010 | ALL | BAG INDICATOR |
| 36 | H-38781057 | ALL | BAG DOOR GASKET - 34.5" |
| 37 | H-27618508 | ALL | WIRE CONNECTOR |
| 38 | H-36322030 | ALL | MOTOR MOUNT - SMALL |
| 39 | H-34131019 | ALL | WIRE OPENING PLUG |
| 40 | H-27479307 | ALL | CABLE TIE |
| 41 | H-38765019 | ALL | SECONDARY FILTER |

MODEL NO.

U5458-900
 U5458-910
 U5460-900
 U5462-900
 U5467-900
 U5468-900
 U5470-900
 U5471-900
 U5472-900
 U5473-900
 U5481-900
 U5491-900
 U5491-950



WINDTUNNEL™

S U P R E M E

PART LISTING

MODEL NO.

| ITEM | PART NUMBER | MODELS TO FIT | PART DESCRIPTION |
|------|-------------|--------------------|------------------------------------|
| 42 | H-36426034 | ALL | SECONDARY FILTER RETAINER |
| 43 | H-38634078 | ALL | EXTENSION TUBE - BLACK |
| 44 | H-36426033 | ALL | FILTER HOLDER - DARK CHARCOAL GRAY |
| 45 | H-40110004 | ALL | FINAL FILTER - 2 PACK |
| 46 | H-4010100Y | ALL | TYPE Y BAG / ALLERGEN - 3 PACK |
| | H-4010801Y | ALL | TYPE Y BAG / HEPA - 2 PACK |
| 47 | H-37257221 | ALL | FILTER GRILL - DARK CHARCOAL GRAY |
| | H-37257323 | U5491900, U5491950 | FILTER GRILL ASSEMBLY |
| 48 | H-40201149 | ALL | HANDLE HARDWARE ASSEMBLY |
| 49 | H-43414197 | ALL | DUSTING BRUSH ASSEMBLY - BLACK |
| 50 | H-38614044 | ALL | FURNITURE NOZZLE - GRAPHITE GRAY |
| | H-38614045 | ALL | FURNITURE NOZZLE - BLACK |
| 51 | H-38617033 | ALL | CREVICE TOOL - SHORT BLACK |
| | H-38617031 | ALL | CREVICE TOOL - LONG GRAPHITE GRAY |
| 52 | H-28161067 | ALL | SWITCH - .025 TERMINAL |
| 53 | H-49129032 | ALL | TURBINE HAND TOOL |
| | H-49124044 | ALL | TURBINE HAND TOOL |
| 54 | H-92001259 | U5491900, U5491950 | 12" FLOOR BRUSH ASSEMBLY - BLACK |
| | | | |
| | H-43434042 | ALL | EXTRA HOSE ASSEMBLY - OPTIONAL |

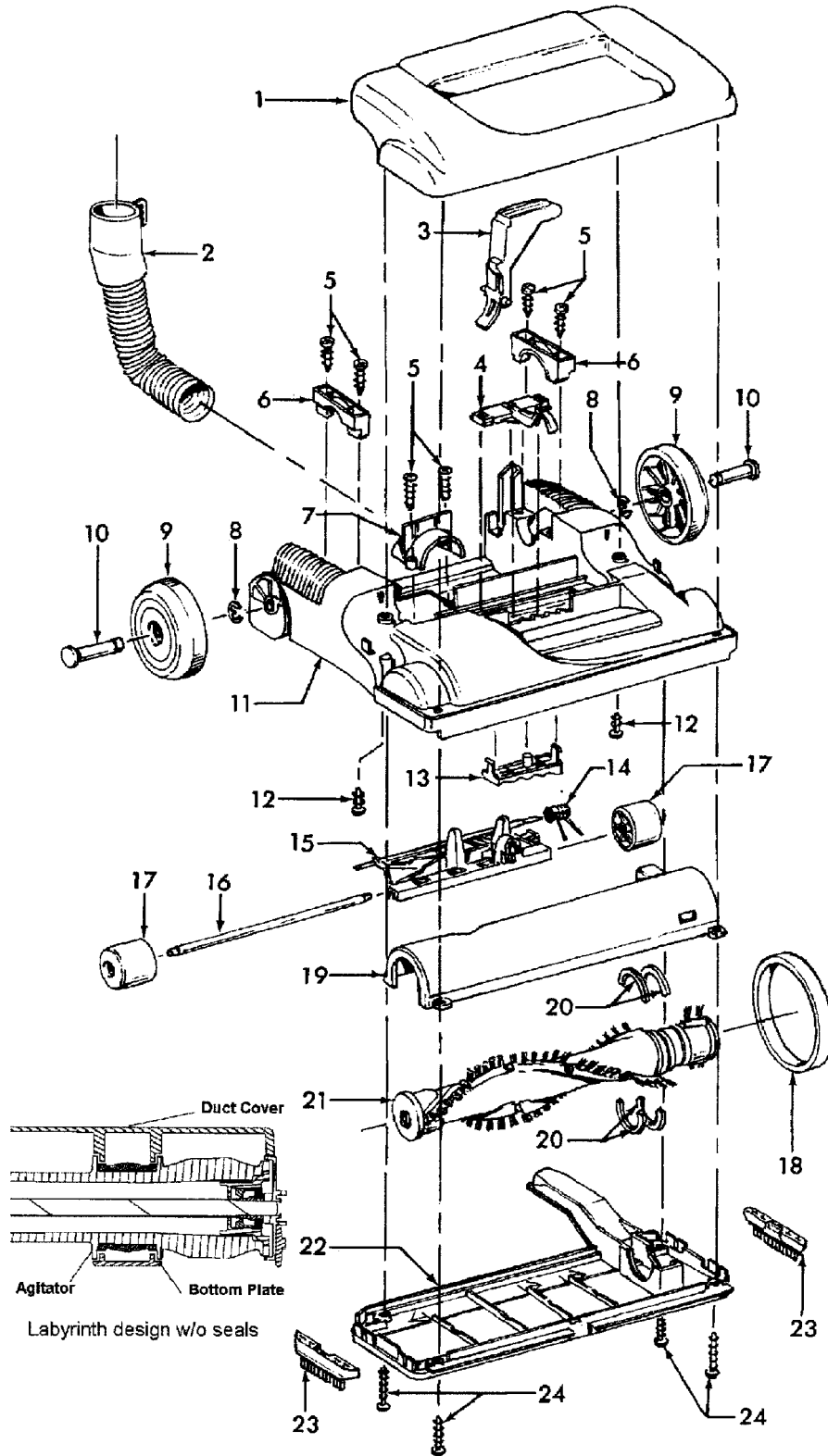
U5458-900
 U5458-910
 U5460-900
 U5462-900
 U5467-900
 U5468-900
 U5470-900
 U5471-900
 U5472-900
 U5473-900
 U5481-900
 U5491-900
 U5491-950



WINDTUNNEL[™]

S U P R E M E

ASSEMBLY SCHEMATIC



MODEL NO.

- U5458-900
- U5458-910
- U5460-900
- U5462-900
- U5467-900
- U5468-900
- U5470-900
- U5471-900
- U5472-900
- U5473-900
- U5481-900
- U5491-900
- U5491-950



WINDTUNNEL™

S U P R E M E

PART LISTING

| ITEM | PART NUMBER | MODELS To FIT | PART DESCRIPTION |
|------|-------------|------------------------------|-------------------------------------|
| 1 | H-92001090 | U5470900, U5481900 | HOOD - SAGE GREEN METALLIC |
| | H-91001069 | U5467900 | HOOD - LACQUER RED METALLIC |
| | H-37253364 | U5458900, U5458910, U5460900 | HOOD - SAPPHIRE TRANSPARENT |
| | H-37253386 | U5462900 | HOOD - RUBY TRANSPARENT |
| | H-37253448 | U5471900 | HOOD - LEGACY PURPLE |
| | H-37253A75 | U5472900 | HOOD - SILVER QUARTZ METALLIC |
| | H-37253A78 | U5473900 | HOOD - CATALINA BLUE |
| | H-42252B75 | U5491900, U5491950 | HOOD - TECHNO BLUE METALLIC |
| 2 | H-43431005 | ALL | HOSE DOOR ASSEMBLY |
| 3 | H-38458043 | ALL | HANDLE RELEASE LEVER - BLACK |
| | H-38434049 | U5491900, U5491950 | HANDLE RELEASE LEVER - SONIC SILVER |
| 4 | H-40309004 | ALL | NOZZLE ADJUST LEVER / CAM KIT |
| 5 | H-21447072 | ALL | SCREW |
| 6 | H-36131094 | ALL | TRUNNION COVER - DARK CHARCOAL GRAY |
| 7 | H-36171044 | ALL | HOSE CLAMP - DARK CHARCOAL GRAY |
| 8 | H-160017 | ALL | LOCK RING |
| 9 | H-38522077 | ALL | REAR WHEEL |
| | H-43247033 | U5491900, U5491950 | REAR WHEEL ASSEMBLY |
| 10 | H-32434007 | ALL | REAR AXLE |
| 11 | H-37242135 | ALL | MAIN BODY w / FURNITURE GUARD |
| | H-37242158 | U5491900, U5491950 | MAIN BODY w / FURNITURE GUARD |
| 12 | H-21447228 | ALL | SCREW - SELF TAPPING |
| 13 | H-40309004 | ALL | NOZZLE ADJUST LEVER / CAM KIT |
| 14 | H-38355010 | ALL | TORSION SPRING |
| 15 | H-36432027 | ALL | FRONT WHEEL SUPPORT - CLEAR |
| | H-43248064 | ALL | FRONT WHEEL ASSEMBLY COMPLETE |
| | H-43248075 | U5491900, U5491950 | FRONT WHEEL ASSEMBLY COMPLETE |
| 16 | H-32541003 | U5460900, U5462900 | WHEEL SHAFT - ZINC PLATE COATED |
| | H-32541007 | ALL | WHEEL SHAFT - ZINC PLATE COATED |
| 17 | H-38521009 | ALL | FRONT WHEEL - BLACK |
| | H-38522105 | U5491900, U5491950 | FRONT WHEEL - BLACK SOFT TREAD |
| 18 | H-38528033 | ALL | BELT |
| | H-40201160 | ALL | BELT - 2 PACK |

MODEL No.

U5458-900
 U5458-910
 U5460-900
 U5462-900
 U5467-900
 U5468-900
 U5470-900
 U5471-900
 U5472-900
 U5473-900
 U5481-900
 U5491-900
 U5491-950



WINDTUNNEL™

S U P R E M E

PART LISTING

| ITEM | PART NUMBER | MODELS TO FIT | PART DESCRIPTION |
|------|-------------|---------------|--------------------------------------|
| 19 | H-40309026 | ALL | BOTTOM PLATE / DUCT 15" |
| 20 | H-38781053 | ALL | BRUSH ROLL / AGITATOR PULLEY SEAL |
| 21 | H-48414132 | ALL | BRUSH ROLL / AGITATOR 15" |
| 22 | H-40309026 | ALL | BOTTOM PLATE / DUCT 15" |
| 23 | H-39511004 | ALL | LITTER PICKER / EDGE GROOMER |
| | H-39511018 | ALL | LITTER PICKER / EDGE GROOMER - BLACK |
| 24 | H-21447121 | ALL | SCREW |

U5458-900
U5458-910
U5460-900
U5462-900
U5467-900
U5468-900
U5470-900
U5471-900
U5472-900
U5473-900
U5481-900
U5491-900
U5491-950