

This Owner's Manual is provided and hosted by [Appliance Factory Parts](#).



# HOOVER U5786-900 Owner's Manual

[Shop genuine replacement parts for HOOVER  
U5786-900](#)

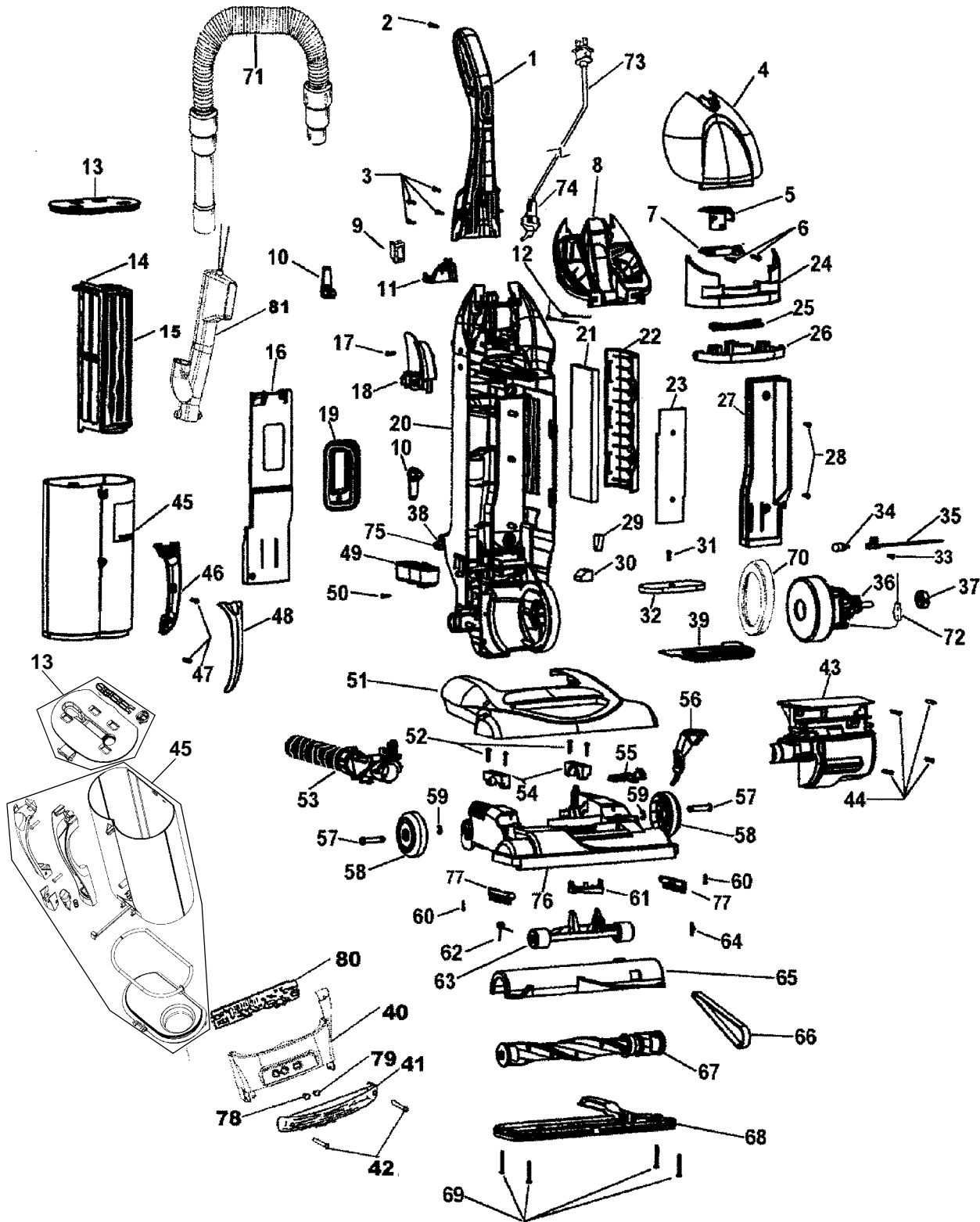


[Find Your HOOVER Vacuum Cleaner Parts - Select From 1455 Models](#)

----- Manual continues below -----

# WINDTUNNEL™ BAGLESS

## ASSEMBLY SCHEMATIC



[MODEL NO.](#)

U5753-900

U5760-900

U5786-900

UH40125

# WINDTUNNEL<sup>TM</sup> BAGLESS

## PART LISTING

ITEM	PART NUMBER	MODELS TO FIT	PART DESCRIPTION
1	H-39466088	ALL	UPPER HANDLE ASSEMBLY - DARK CHARCOAL GRAY
2	H-21447236	ALL	SCREW
3	H-21447072	ALL	SCREW
4	H-37257305	ALL	TOOL DOOR WITH LOGO
	H-92001283	ALL	TOOL DOOR - SUB
5	H-92001088	ALL	DIRT CUP LID LATCH - BLACK
6	H-21447242	ALL	SCREW - SELF TAPPING
7	H-36155013	ALL	DIRT CUP LID LATCH HOLDER - DARK CHARCOAL GRAY
8	H-36433146	ALL	TOOL HOLDER - DARK CHARCOAL GRAY
9	H-28161067	ALL	SWITCH
10	H-39442048	ALL	CORD WRAP - MAGNESIUM GRAY
11	H-36923004	ALL	SWITCH SUPPORT - DARK CHARCOAL GRAY
12	H-21447246	ALL	SCREW
13	H-37249042	U5753-900, U5760-900	DIRT CUP LID
	H-42249015	U5786-900, UH40125	DIRT CUP LID ASSEMBLY
14	H-92001025	U5753-900, U5760-900	PRE-FILTER SUPPORT ASSEMBLY
	H-36426099	U5786-900, UH40125	PRE-FILTER SUPPORT ASSEMBLY
15	H-40140201	ALL	CARTRIDGE FILTER
16	H-37258121	ALL	WIRE CHANNEL COVER - DARK CHARCOAL GRAY
17	H-21447242	ALL	SCREW - SELF TAPPING
18	H-36433148	ALL	UPPER WAND/HOSE HOLDER - DARK CHARCOAL GRAY
19	H-38783027	ALL	DIRT CUP INLET SEAL - BLACK
20	H-42259027	ALL	BACK HOUSING ASSEMBLY - DARK CHARCOAL GRAY
21	H-40110006	ALL	FINAL / EXHAUST FILTER - 2 PK
22	H-37257289	ALL	FINAL / EXHAUST FILTER DOOR - MIST GRAY TRANSPARENT
23	N.A.	ALL	FOAM - MUFFLER FILTER
24	H-37258181	U5753-900	DIRT CUP LATCH COVER SHROUD - COSMIC BLUE METALLIC
	H-37258166	U5760-900	DIRT CUP LATCH COVER SHROUD - PEWTER METALLIC
	H-37258210	U5786-900	DIRT CUP LATCH COVER SHROUD - SILVER
	H-37258223	UH40125	DIRT CUP LATCH COVER SHROUD - GRAPHITE GRAY METALLIC

### MODEL NO.

U5753-900  
U5760-900  
U5786-900  
UH40125

# WINDTUNNEL<sup>™</sup> BAGLESS

## PART LISTING

ITEM	PART NUMBER	MODELS TO FIT	PART DESCRIPTION
25	H-37258185	U5753-900	CAM SLOT CAP - COSMIC BLUE METALLIC
	H-37258167	U5760-900	CAM SLOT CAP - PEWTER METALLIC
	H-37258206	U5786-900, UH40125	CAM SLOT CAP - SILVER
26	H-38567062	ALL	DIRT CUP LATCH COVER
27	H-37259016	ALL	MUFFLER FILTER COVER - DARK CHARCOAL GRAY
28	H-21447242	ALL	SCREW - SELF TAPPING
29	H-34131009	ALL	WIRE CHANNEL FOAM
30	H-34131019	ALL	WIRE OPENING PLUG
31	H-21447242	ALL	SCREW - SELF TAPPING
32	H-38762008	ALL	SECONDARY / INLET FILTER
33	H-21447072	ALL	SCREW
34	H-27313101	ALL	LAMP - LIGHT BULB
35	H-47173027	ALL	WIRING HARNESS
36	H-27212057	ALL	MOTOR ASSEMBLY COMPLETE
37	H-36322030	ALL	MOTOR MOUNT - SMALL
38	H-21447242	ALL	SCREW - SELF TAPPING
39	H-43615088	ALL	SECONDARY / INLET FILTER RETAINER
40	H-37944024	U5753-900	CIRCUIT BOARD COVER - COSMIC BLUE
	H-37944027	U5760-900	CIRCUIT BOARD COVER - PEWTER
	H-37944031	U5786-900	CIRCUIT BOARD COVER - SILVER
	H-37944042	UH40125	CIRCUIT BOARD COVER - GRAPHITE GRAY
	H-51464006	ALL	EDF NAME PLATE
41	H-39383107	ALL	LENS
42	H-21447228	ALL	SCREW - SELF TAPPING
43	H-37196160	ALL	MOTOR COVER
44	H-21447230	ALL	SCREW - SELF TAPPING
45	H-38775077	U5753-900, U5760-900	DIRT CUP
	H-42254195	U5786-900, UH40125	COMPLETE DIRT CUP ASSEMBLY
46	H-39457018	U5753-900, U5760-900	DIRT CUP HANDLE - INNER
		U5786-900, UH40125	DIRT CUP HANDLE - ORDER #45
47	H-21447043	ALL	SCREW - SELF TAPPING
48	H-39457049	U5753-900	DIRT CUP HANDLE COVER
	H-39457033	U5760-900	DIRT CUP HANDLE COVER
		U5786-900, UH40125	DIRT CUP HANDLE COVER - ORDER #45

MODEL NO.

U5753-900

U5760-900

U5786-900

UH40125

# WINDTUNNEL<sup>TM</sup> BAGLESS

## PART LISTING

ITEM	PART NUMBER	MODELS TO FIT	PART DESCRIPTION
49	H-36433147	ALL	LOWER WAND HOLDER - DARK CHARCOAL GRAY
50	H-21447242	ALL	SCREW - SELF TAPPING
51	H-37253419	U5753-900	HOOD / NOZZLE COVER - BLUE
	H-37253393	U5760-900	HOOD / NOZZLE COVER - PEWTER
	H-42252B76	U5786-900	HOOD / NOZZLE COVER - SILVER
	H-42252B82	UH40125	HOOD / NOZZLE COVER - GRAPHITE GRAY
52	H-21447072	ALL	SCREW
53	H-43516010	ALL	LOWER HOSE / VALVE ASSEMBLY
54	H-36131094	ALL	TRUNNION COVER
55	H-40309004	ALL	HEIGHT ADJUSTMENT LEVER AND CAM
56	H-38458043	ALL	HANDLE RELEASE LEVER
57	H-32434007	ALL	REAR AXEL
58	H-38522077	U5753-900, U5760-900	REAR WHEEL
	H-43247033	U5786-900, UH40125	REAR WHEEL ASSEMBLY
59	H-160017	ALL	LOCK RING
60	H-21447228	ALL	SCREW - SELF TAPPING
61	H-40309004	ALL	HEIGHT ADJUSTMENT LEVER AND CAM
62	H-38355010	ALL	TORSION SPRING
63	H-43248064	U5753-900, U5760-900	FRONT WHEEL ASSEMBLY COMPLETE
	H-43248075	U5786-900, UH40125	FRONT WHEEL ASSEMBLY COMPLETE
64	H-013261AY	ALL	RIB SHOES
65	H-40309026	ALL	BOTTOM PLATE DUCT / NOZZLE GUARD
66	H-38528033	ALL	FLAT BELT
	H-40201160	ALL	FLAT BELT - 2 PACK
67	H-48414132	ALL	AGITATOR / BRUSH ROLL
68	H-40309026	ALL	BOTTOM PLATE DUCT / NOZZLE GUARD
69	H-21447121	ALL	SCREW
70	H-36322037	ALL	MOTOR MOUNT - LARGE
71	H-43491051	ALL	HOSE ASSEMBLY
72	H-28382093	ALL	THERMAL PROTECTOR
73	H-46383334	ALL	POWER CORD - 35'
74	H-36215028	ALL	CORD PROTECTOR
75	H-36171035	ALL	HOSE CLAMP
76	H-37242135	ALL	MAIN BODY / NOZZLE BASE
77	H-39511018	ALL	LITTER PICKER - BLACK

### MODEL NO.

U5753-900

U5760-900

U5786-900

UH40125

# **WINDTUNNEL<sup>TM</sup>** **BAGLESS**

## PART LISTING

ITEM	PART NUMBER	MODELS TO FIT	PART DESCRIPTION
78	N.A.	ALL	GREEN LENS - SNAP IN
79	H-27352030	ALL	RED LENS - SNAP IN
80	H-46851083	ALL	PRINTED CIRCUIT BOARD
81	H-43486014	U5753-900, U5760-900	DIRT DUCT TUBE WITH MICROPHONE
	H-43486020	U5786-900, UH40125	DIRT DUCT TUBE WITH MICROPHONE
	H-38614044	U5753-900, U5760-900	FURNITURE NOZZLE - GRAPHITE GRAY
	H-92001196	U5786-900, UH40125	FURNITURE NOZZLE - BLACK
	H-38617031	ALL	CREVICE TOOL - LONG GRAPHITE GRAY
	H-38617033	ALL	CREVICE TOOL - SHORT
	H-38634078	ALL	EXTENSION TUBE - BLACK
	H-43414197	ALL	DUSTING BRUSH ASSEMBLY - BLACK
	H-49129032	ALL	TURBINE HAND TOOL
	H-43434043	ALL	HOSE ASSEMBLY DELUXE - 20'

[MODEL NO.](#)

U5753-900

U5760-900

U5786-900

UH40125