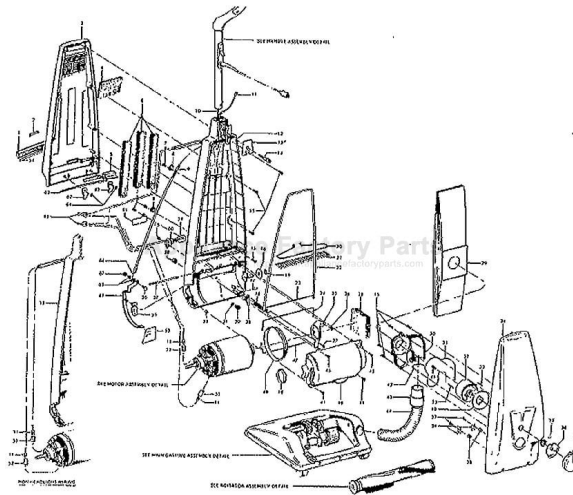


This Owner's Manual is provided and hosted by [Appliance Factory Parts](#).



HOOVER U6003 Owner's Manual

[Shop genuine replacement parts for HOOVER U6003](#)



[Find Your HOOVER Vacuum Cleaner Parts - Select From 1456 Models](#)

----- Manual continues below part list -----

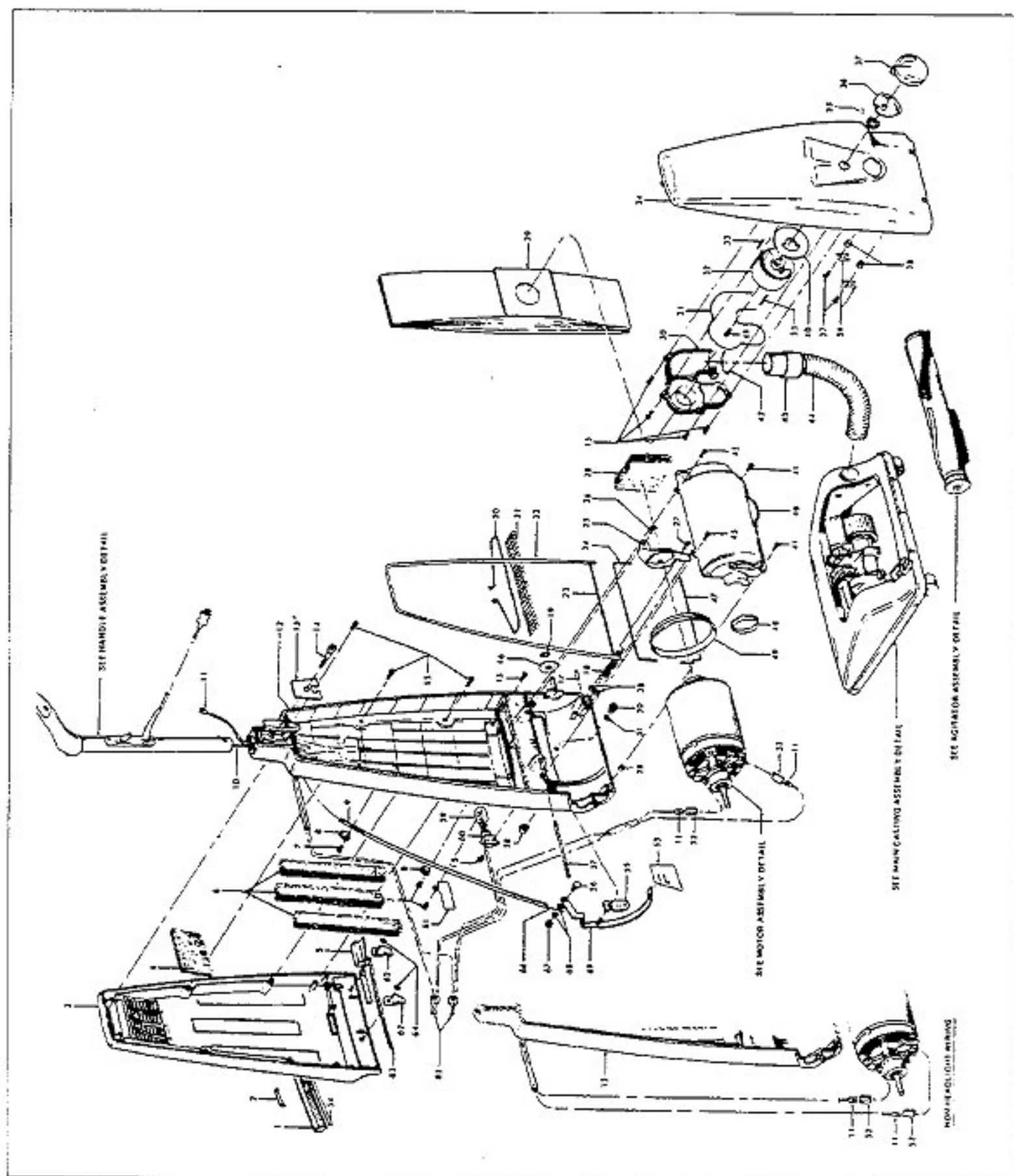
Available Replacement Parts for HOOVER U6003

H-4010005D	HOOVER TYPE D UPRIGHT BAGS (3 PACK)
H-160147	BELT, FLAT, 1 PACK
H-43267002	AGITATOR BEARING ASM
H-12471-AG	BELT

HOOVER Original

DIAL-A-MATIC

Models 1170, 1176, 1178, U6003, U6003-001,
U6007, U6039, U6039-030, U6041, U6049



Original **HOOVER**

DIAL-A-MATIC

Models 1170, 1176, 1178, U6003, U6003-001,
U6007, U6039, U6039-030, U6041, U6049

KEY	PART NO.	DESCRIPTION
1	H-162226 CP	Dirt Finder Lens - 1176, 1178, U6007, U6039, U6039-030, U6041
2	H-162608 CH	Indicator Lens - 1176, 1178, U6007, U6039, U6039-030, U6041
3	H-42256010	Exhaust Cover - U6039, U6039-030, U6041
	H-42256001	Exhaust Cover - 1178, U6007
	H-42256026	Exhaust Cover - U6003, U6003-001
	H-42256027	Exhaust Cover - JX - U6049
	H-37257049	Exhaust Cover - 1170
	H-164811 AR	Exhaust Cover - 1176
4	H-12358	Diffuser
5	H-161469 KY	Full Bag Indicator - 1176, 1178, U6007, U6039, U6039-030, U6041
	H-14373 JM	Full Bag Indicator
6	H-161334	Muffler (3 Req.)
7	H-12954	Screw (3 Req.)
8	H-12910	Clamp (2 Req.)
9	H-160053	Cable Tube
10	H-160048	Lead Wire
11	H-160356	Terminal (3 Req.)
12	H-161398 JM	Bag Housing - Front Half - 1170, U6003
	H-164713 JM	Bag Housing - Front Half
13	H-162008 JM	Latch Cover
14	H-162007	Screw
15	H-21447003	Screw (13 Req.) - 1170, U6003, U6003-001, U6049 (14 Req.) - 1176, 1178, U6007, U6039, U6039-030, U6041
16	H-160110 BZ	Bushing
17	H-12171	Pin
18	H-38336001	Balance Spring - 1178, U6003, U6003-001, U6007, U6039, U6039-030, U6041, U6049
	H-160143 AY	Balance Spring - 1170, 1176
19	H-160017	Retaining Ring
20	H-12121	Filter Retainer
21	H-12122	Filter
22	H-12155	Gasket
23	H-12156	Secondary Filter Gasket
24	H-12160	Upper Motor Gasket
25	H-12119	Motor Support Bracket
26	H-12146	Screw
27	H-12954	Screw (3 Req.)
28	H-12662	Muffler
29	H-4010005 D	Throw Away Bag Ass'y - 3 Pk.
	H-4010006 D	Throw Away Bag Ass'y - 9 Pk.
30	H-14903 BU	Valve Cover Ass'y
31	H-12516	Gasket
32	H-38711010	Valve
33	H-12076	Side Valve Seal (2 Req.)

KEY	PART NO.	DESCRIPTION
34	H-14922 JM	Rear Bag Housing
35	H-13301	Washer
36	H-35474004	Hose Connector Lock
37	H-38411026	Valve Knob
38	H-17743	Capsert (5 Req.)
39	H-12144	Hinge Shaft Plate (2 Req.)
40	H-14507	Bottom Seal
41	H-641762	Screw (3 Req.)
42	H-12556	Seal
43	H-13770 JM	Hose End
44	H-43431058	Hose
45	H-12860	Screw (2 Req.)
46	H-160169 JM	Motor Cover
47	H-12535	Lower Motor Gasket
48	H-38511020	Alignment Ring
49	H-12154	Motor Gasket
50	H-33423007	Nut
51	H-19555	Spring Washer
52	H-161737	Insulating Pod (2 Req.)
53	H-160142	Air Seal
54	H-163135	Lens Seal
55	H-160080 BZ	Pivot Bearing
56	H-160058	Bolt
57	H-12143	Hinge Shaft
	H-48613	Rivet (2 Req.) - U6049
58	H-12030	Strain Relief
59	H-27317307	Dirt Finder Lamp - 1176, 1178, U6007, U6039, U6039-030, U6041
60	H-162423	Light Socket Ass'y - 1176, 1178, U6007, U6039, U6039-030, U6041
61	H-164630 AY	Air Director Plate - 1176, 1178, U6007, U6039, U6039-030, U6041
62	H-34755001	Clamp (2 Req.)
63	H-163814	Exhaust Cover Seal
64	H-160085	Clip (2 Req.)
65	H-12227	Connector (2 Req.) - 1176, 1178, U6007, U6039, U6039-030, U6041
	H-163276	Control Cable
66	H-163276	Nut
67	H-160061	Nut
68	H-160059	Washer (2 Req.)
69	H-160086 JM	Actuator Bar Ass'y

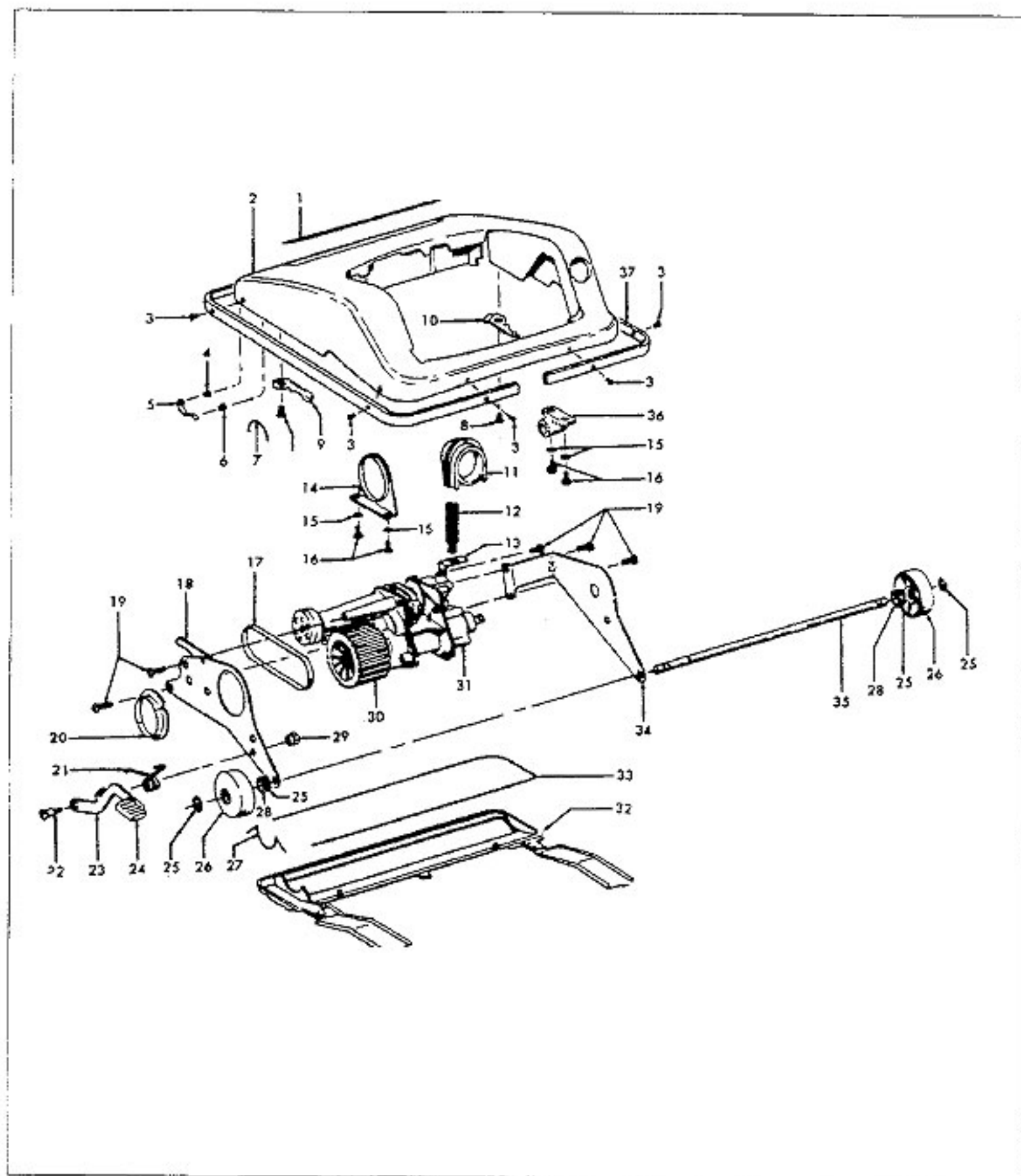
ITEMS NOT ILLUSTRATED

H-170975 Wrench - Special (This is a 1/2", 12 point, deep offset box wrench used on It. 56, Part #160058, Bolt, in conjunction with the adjustment of the control cable.)

HOOVER Original

DIAL-A-MATIC

Models 1170, 1176, 1178, U6003, U6003-001,
U6007, U6039, U6039-030, U6041, U6049



Original **HOOVER**

DIAL-A-MATIC

**Models 1170, 1176, 1178, U6003, U6003-001,
U6007, U6039, U6039-030, U6041, U6049**

KEY	PART NO.	DESCRIPTION
1	H-52115008	Nameplate
2	H-161392 HH	Main Casting - 1170, 1176
	H-42241051	Main Casting - U6041
	H-42241052	Main Casting - 1178, U6003, U6003-001, U6007, U6039, U6039-001
	H-42241057	Main Casting - U6049
3	H-12997 AW	Rivet (6 Req.)
4	H-12133	Rivet (2 Req.)
5	H-12128 AY	Clamp Spring (2 Req.)
6	H-12132	Rivet (2 Req.)
7	H-12173	Upper Pulley Seal
8	H-12150	Screw (2 Req.)
9	H-12149	Latch L.H.
10	H-12148	Latch R.H.
11	H-38638008	Hose Adapter
12	H-160146	Dash Pot Spring
13	H-160122	Bellows Bracket
14	H-160069	Trunion Bearing
15	H-160113	Washer (4 Req.)
16	H-12146	Screw (4 Req.)
17	H-160147 AG	Power Belt
18	H-163336	Frame - L.H. - 1178, U6003, U6003-001, U6007, U6039, U6039-030, U6041, U6049
	H-160109	Frame - L.H. - 1170, 1176
19	H-16295	Screw (5 Req.)
20	H-38511020	Bearing Half (2 Req.)
21	H-160148	Handle Control Spring
22	H-160115	Screw
23	H-160164 JM	Handle Control Lever - 1170, 1176
	H-163347 JM	Handle Control Lever - 1178, U6003, U6003-001, U6007, U6039, U6039-030, U6041, U6049
24	H-38426072	Foot Pad - JM
25	H-13730	Lock Ring (4 Req.)
26	H-163346 AG	Rear Wheel
	H-32175003	Caster Wheel (2 Req.) - 1170, 1176
27	H-12172	Lower Pulley Seal
28	H-21312772	Washer (2 Req.)
29	H-162389 EF	Hex Nut
30	H-163340 AG	Drive Wheel Complete
	H-160155 AG	Drive Wheel Complete - 1170, 1176
31	H-43124010	Power Unit
32	H-42245027	Cleaner Bottom Plate
33	H-160064	Bottom Plate Gasket
	H-12630	Bottom Plate Gasket - U6049
34	H-163333 AY	Frame - R.H. - 1178, U6003, U6003-001, U6007, U6039, U6039-030, U6041, U6049
	H-160103	Frame R.H. - 1170, 1176
35	H-160120 FW	Rear Wheel Shaft
36	H-12123	Bearing
37	H-165073 JM	Furniture Guard
	H-165073 DX	Furniture Guard - U6007, U6041, U6049

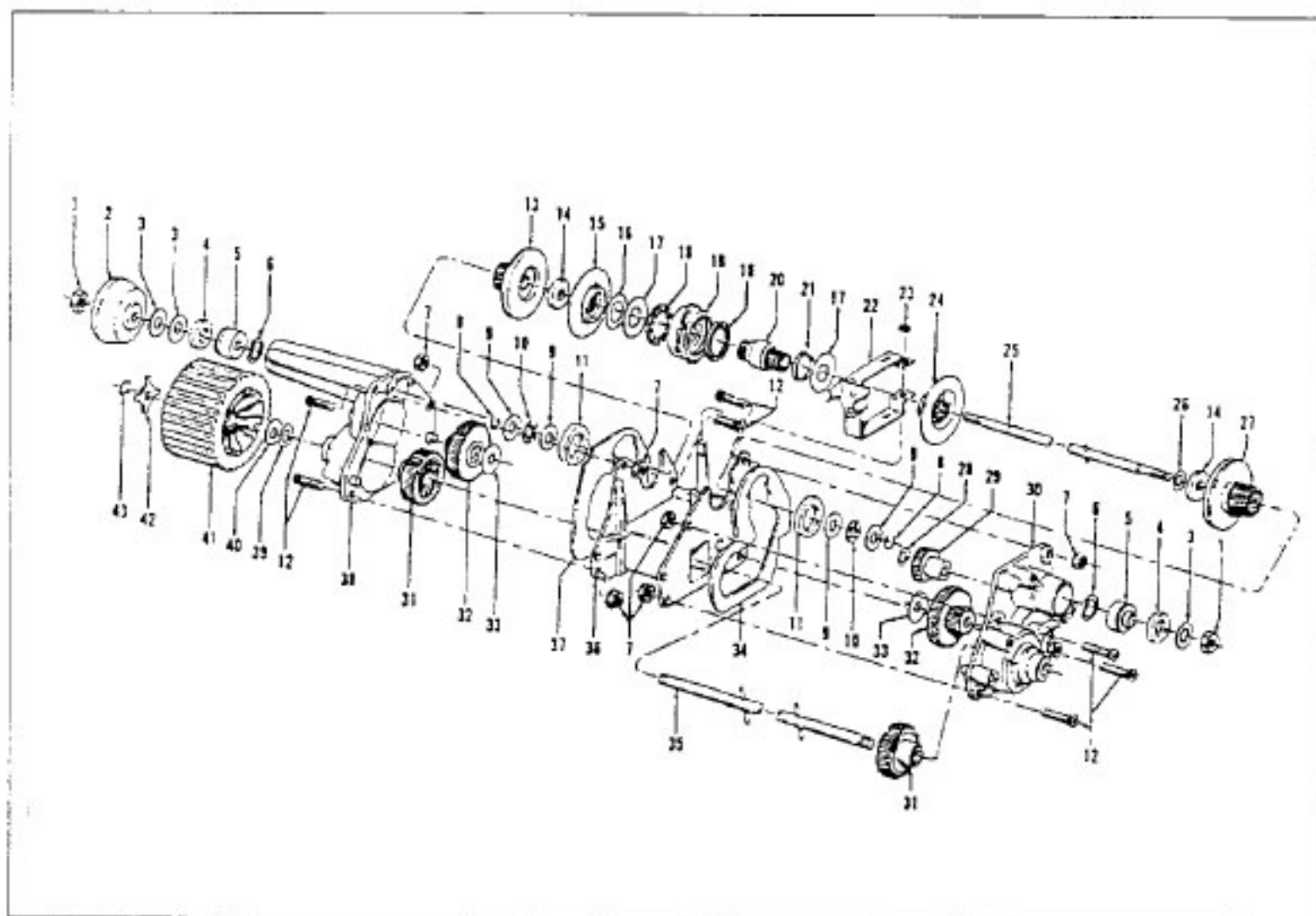
ITEMS NOT ILLUSTRATED

H-160031	Nut (Power Drive Unit - Drive Shaft/Drive Pulley)
----------	--

HOOVER Original

DIAL-A-MATIC

Models 1170, 1176, 1178, U6003, U6003-001,
U6007, U6039, U6039-030, U6041, U6049

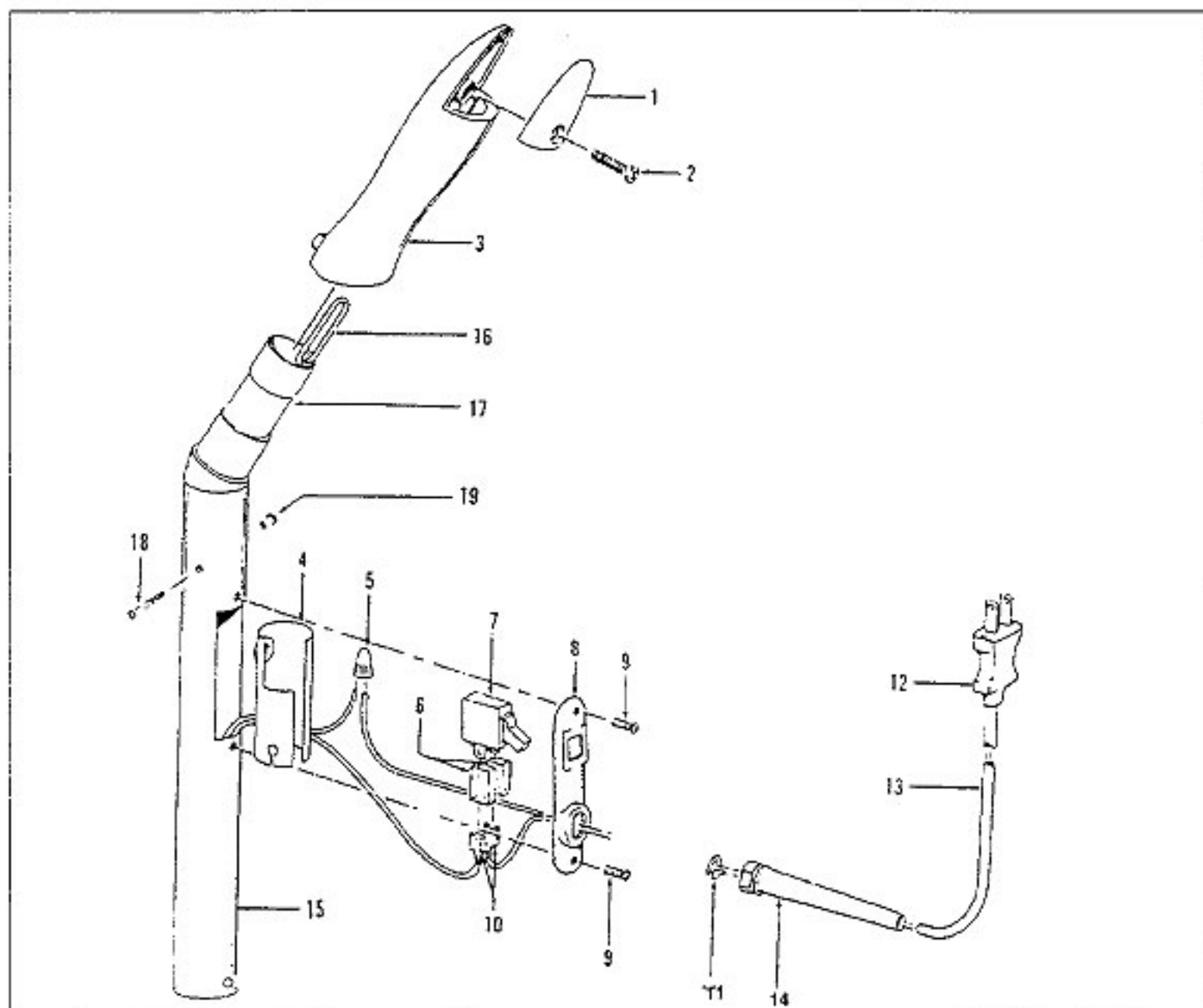


KEY	PART NO.	DESCRIPTION	KEY	PART NO.	DESCRIPTION
1	160031	Nut (2)	24	H-168499	Brake Disc-R.H.
2	160033 AG	Drive Pulley	25	H-160157	Drive Shaft
3	160030	Washer (3)	26	H-21312720	Washer
4	13010	Washer - Felt (2)	27	H-161590	Brake Disc Ass'y
5	12978	Agitator Bearing Ass'y (2)	28	H-16816	Washer
6	13003	Washer - Spring Thrust (2)	29	H-160004	Drive Gear
7	165011	Nut(8)	30	H-160160	Gear Housing Ass'y - R.H.
8	161302	Retaining Ring (2)	31	H-160006	Drive Gear (2)
9	160019	Thrust Washer (4)	32	H-160005	Drive Gear (2)
10	160018	Thrust Bearing (2)	33	H-162819	Washer (2)
11	160009	Washer - Felt (2)	34	H-160043	Gasket - R.H.
12	21766505	Machine Screw (8)	35	H-160156	Wheel Drive Shaft Ass'y
13	161588	Brake Disc Ass'y	36	H-160158	Center Gear Housing Ass'y
14	161586	Felt Washer (2)	37	H-160042	Gasket L.H.
15	160016	Brake Disc. - L.H.	38	H-160159	Gear Housing Ass'y - L.H.
16	160025	Shim	39	H-19555	Spring Washer
	163256	Shim	40	H-21312726	Thrust Washer
17	160021	Thrust Washer (2)	41	H-163340 AG	Drive Wheel Ass'y
18	160022	Thrust Bearing (2)		H-160155 AG	Drive Wheel - 1170, 1176
19	166632	Oil Seal Ass'y	42	H-160040 AY	Keylock
20	168498	Actuator Hub	43	H-160014	Retaining Ring
21	164685	Spacer		H-43124010	Power Drive Unit Comp.
22	163342	Bracket Ass'y		H-165161	Guide
23	13759	Lock Ring			

Original **HOOVER**

DIAL-A-MATIC

Models 1170, 1176, 1178, U6003, U6003-001,
U6007, U6039, U6039-030, U6041, U6049



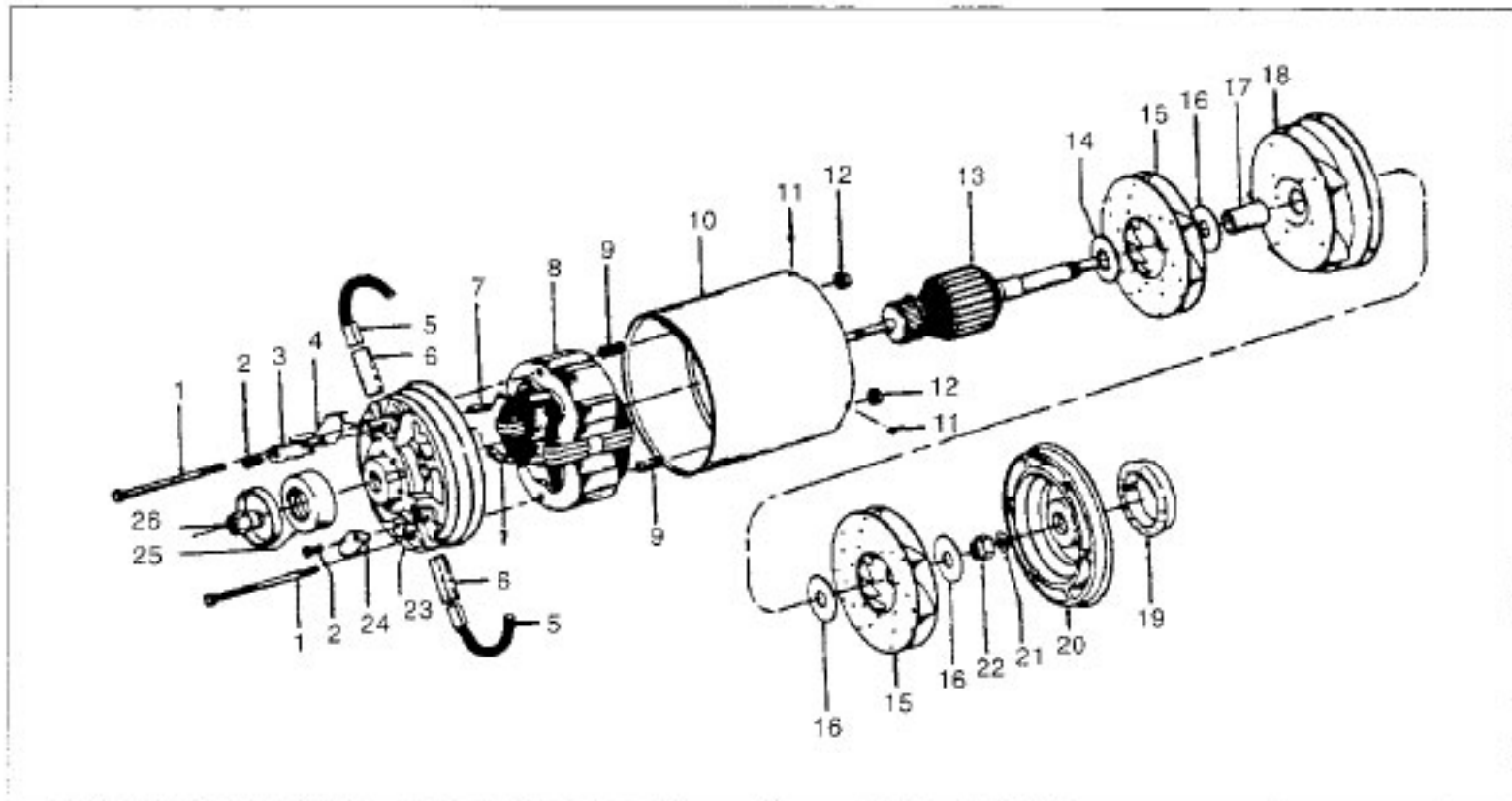
KEY	PART NO.	DESCRIPTION
1	H-160092 KD	Handle Cap - 1170, 1176, 1178, U6003, U6007
	H-160092 JM	Handle Cap - U6003-001, U6039, U6039-030, U6041
	H-160092 LU	Handle Cap - U6049
2	H-160056	Screw
3	H-160152 KD	Handle Grip - 1170, 1176, 1178, U6003, U6007, U6041
	H-160152 EW	Handle Grip - U6039, U6039-030
	H-160152 DS	Handle Grip - U6003-001
	H-160152 JX	Handle Grip - U6049
4	H-12272	Switch Insulating Sleeve
5	H-48969	Wire Nut
6	H-161737	Insulating Pod (2)
7	H-12971	Switch

KEY	PART NO.	DESCRIPTION
8	H-12973 DN	Switch Cover Plate - 1178
	H-12973 DL	Switch Cover Plate - U6003, U6007
	H-12973 AW	Switch Cover Plate
9	H-21465314	Screw (2)
10	H-160356	Terminal (2)
11	H-12988 AW+	Retainer
12	H-35380	Service Plug
13	H-46383238	Cord - 1170, 1176, 1178, U6003, U6003-001, U6041, U6049
	H-46383241	Cord - U6007, U6039, U6039-030
14	H-31969 AG	Cord Protector
15	H-160167 JM	Handle Tube
16	H-160095 AY	Tension Wire
17	H-160094 JM	Handle Support
18	H-18805	Screw - Special
19	H-19462	Handle Bolt Nut

HOOVER Original

DIAL-A-MATIC

Models 1170, 1176, 1178, U6003, U6003-001,
U6007, U6039, U6039-030, U6041, U6049



KEY	PART NO.	DESCRIPTION
	H-160083	Motor Complete - NLA
1	H-12022	Field Lamination Bolt (2 Req.)
2	H-21447028	Screw (2 Req.)
3		Not Applicable
4	H-12033	Motor Brush Retainer
5	H-12031	Motor Brush Ass'y (2 Req.)
6	H-12029	Motor Brush Holder (2 Req.)
7	H-161737	Insulating Pod (2 Req.)
8	H-167677	Field Ass'y
9	H-12854	Spring (2 Req.)
10	H-12050	Motor Casing
11	H-12007	Pin (3 Req.)
12	H-21651037	Nut Special (2 Req.)
13	H-167672	Armature
14	H-12003	Fan Spacer
15	H-43566003	Fan (2 Req.)
16	H-21312700	Washer (3 Req.)
17	H-170055	Fan Spacer
18	H-18656	Interstage Ass'y
19	H-12089	Motor Mount - R.H.
20	H-12038	Motor End Cap & Bearing Ass'y
21		Not Applicable
22	H-12000	Fan Nut
23	H-12059	Motor Br. Hsg. & Brg. Ass'y
24	H-12033	Motor Br. Retainer
25	H-12090	Motor Mount - L.H.
26	H-12009 AY	Nut

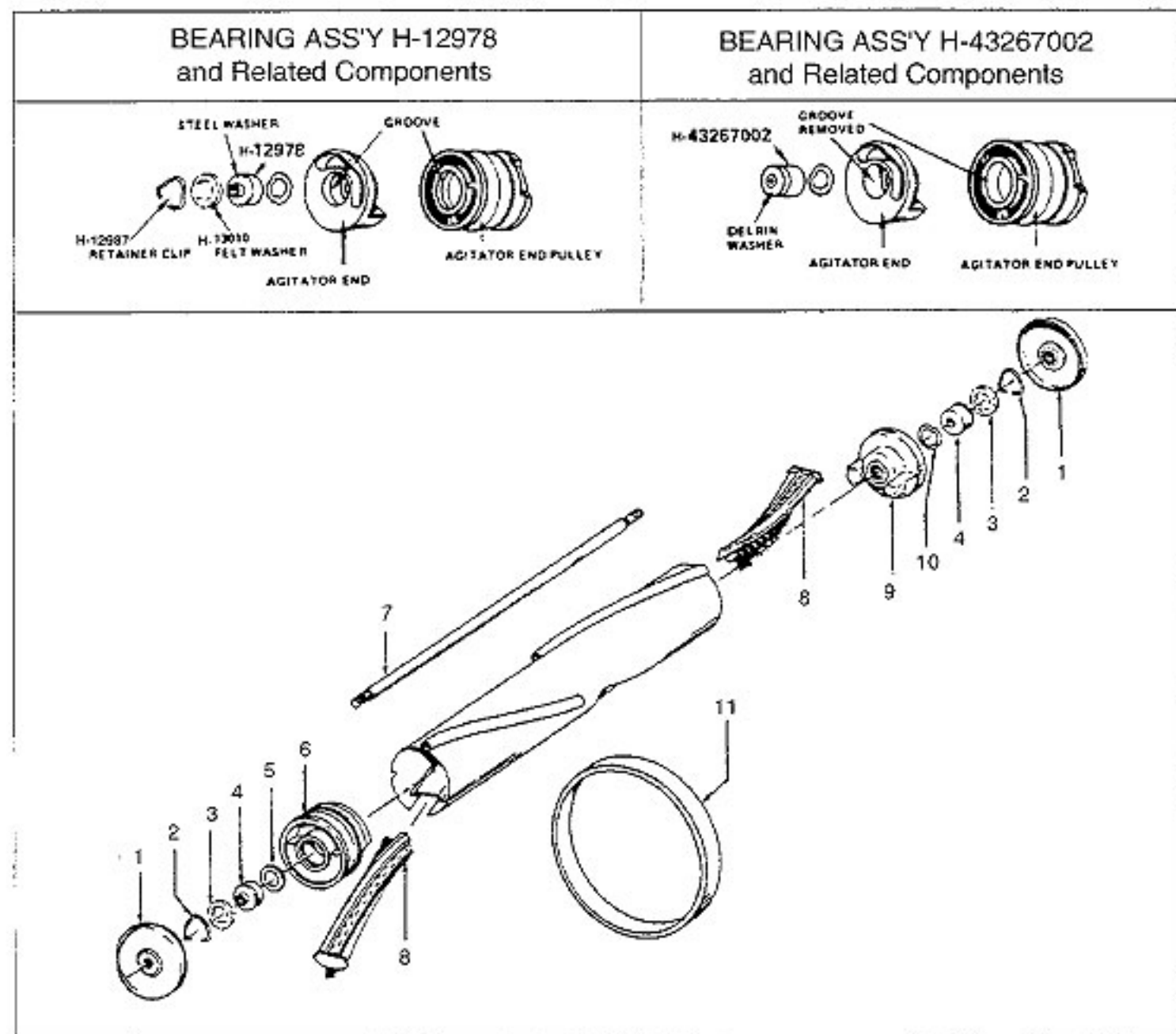
ITEMS NOT ILLUSTRATED

H-12154 Motor Gasket

HOOVER Original

DIAL-A-MATIC

Models 1170, 1176, 1178, U6003, U6003-001,
U6007, U6039, U6039-030, U6041, U6049



KEY	PART NO.	DESCRIPTION
	H-160540	Agitator Complete
1	H-12985	Thread Guard
2	H-12987	Clip (2 Req.)
3	H-13010	Felt Washer (2 Req.)
4	H-12978	Agitator Bearing Ass'y (2 Req.) (Use w/items 2 & 3)
	H-43267002	Agitator Bearing Ass'y (2 Req.) (Current)
5	H-17396	Rubber Thrust Washer
6	H-160538	Agitator End Pulley
7	H-160070	Agitator Shaft
8	H-160646 BZ	Agitator Brush - Reverse Helix (2 Req.)
9	H-160542	Agitator End
10	H-21347003	Thrust Washer
11	H-12471 AG	Belt
	H-164178 BZ	Agitator Brush - Horse Hair