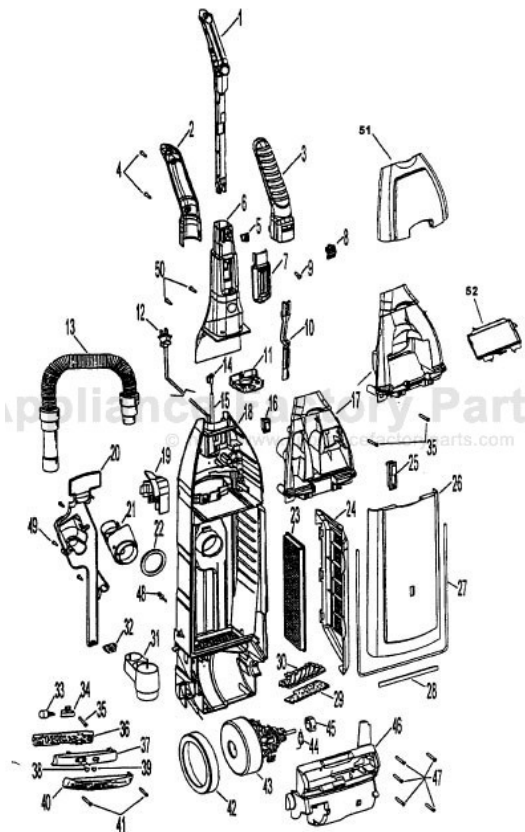


This Owner's Manual is provided and hosted by [Appliance Factory Parts](#).



HOOVER U6451-960 Owner's Manual

[Shop genuine replacement parts for HOOVER
U6451-960](#)



[Find Your HOOVER Vacuum Cleaner Parts - Select From 1456 Models](#)

----- Manual continues below part list -----

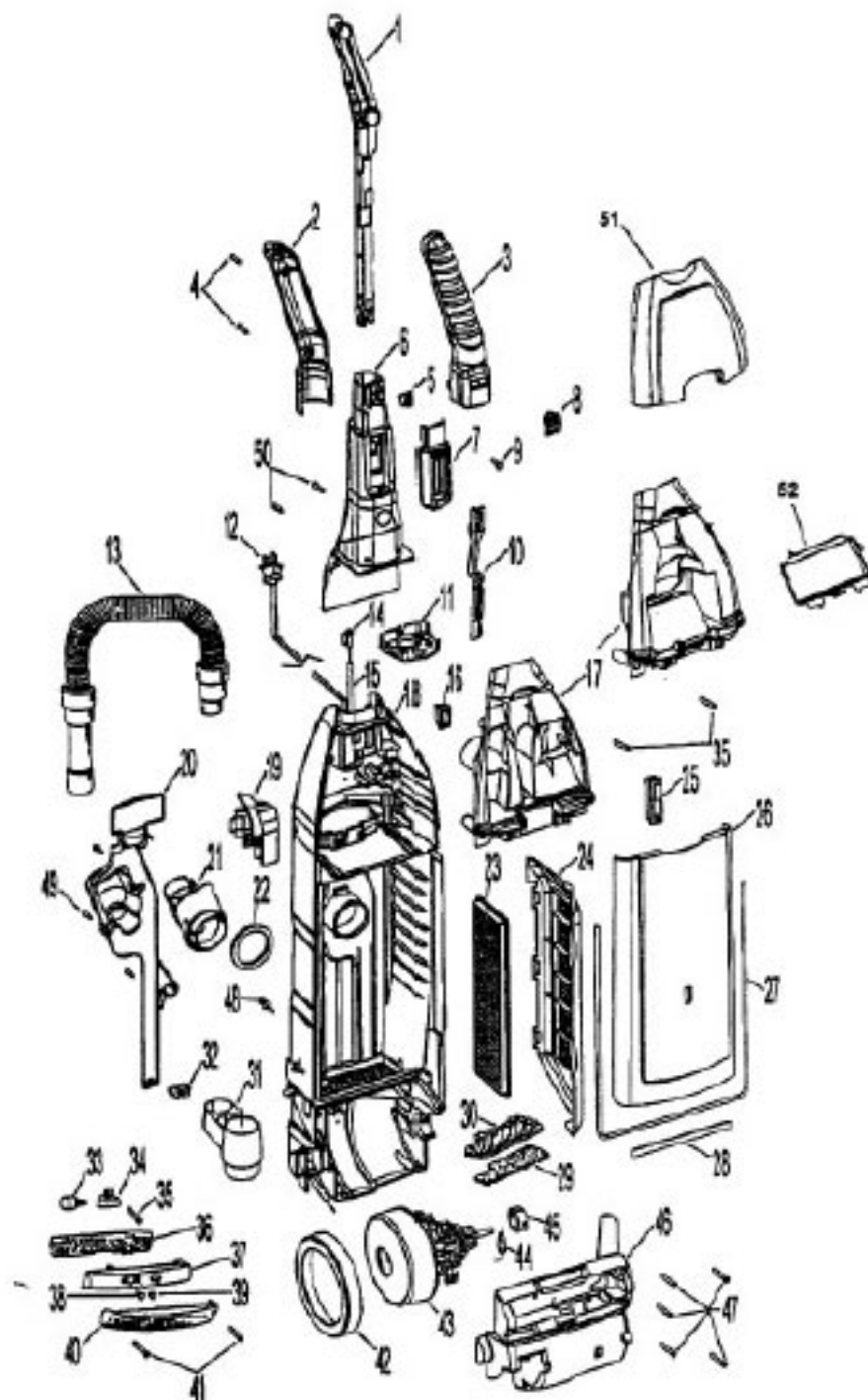
Available Replacement Parts for HOOVER U6451-960

| | |
|----------------------------|--------------------------------------|
| H-4010100Y | BAG VACUUM CLEANER OEM HOOVER 3 PACK |
| HR-1028 | BELT, FLAT, UPRIGHTS, 1PK |
| HR-1805 | FITLER HOOVER 2 PACK AFTERMARKET |
| HR-1856 | FILTER HOOVER |
| HR-1832 | FILTER FOR VACUUM 2 pack |
| H-40201200 | V BELT, W/POWER DRIVE, 1PK |
| K-109289 | BULB |
| H-38434021 | HANDLE RELEASE LEVER |
| H-36426034 | Secondary filter retainer. |
| H-43244005 | Rear wheel |
| HR-2003 | AGITATOR ASSY, COMPLETE |
| HR-5310 | UPRIGHT DUST BRUSH AFTERMARKET |

Self Propelled - Ultra
Self Propelled - Premium w/ EDF

Model U6423-900, U6425-900, U6425-920, U6473-900
Model U6431-900, U6445-900, U6445-920, U6449-900,
U6450-900, U6451-900, * U6451-960, U6455-900,
U6455-960, U6458-900, U6470-900, U6470-910, U6471-900
U6460-900

Self Propelled W/T w/Turbine Tool



Self Propelled - Ultra
Self Propelled - Premium w/ EDF

Model U6423-900, U6425-900, U6425-920
Model U6431-900, U6445-900, U6445-920, U6449-900,
U6450-900, U6451-900, * U6451-960, U6455-900,
U6455-960, U6458-900, U6470-900, U6470-910, U6471-900
U6460-900

Self Propelled W/T w/ Turbine Tool

| Ref. No. | Part No. | Description |
|----------|--|--|
| 1 | 36512001 | Grip Rod |
| 2 | 39454068 | Handle Grip - Back |
| 3 | 39454052 | Handle Grip - Front (Inc. Item 5) |
| | 39454071 | Handle Grip - Front (Inc. Item 5) |
| 4 | 21447228 | * Screw (2) |
| 5 | 36142002 | Drive Control Pin |
| | 36142004 | Drive Control Pin - U6460-900 |
| 5 | 39458040 | Upper Handle (Inc. Items 7, 8, 10) |
| 7 | 37258119 | Switch Rod Pocket |
| 8 | 36421005 | Switch Button |
| | 38421098 | Switch Button - U6460-900 |
| 9 | 21447242 | Screw |
| 10 | 36458051 | Switch Rod |
| 11 | 36023003 | Rod Guide |
| 12 | 46383331 | Attachment Cord Assembly - 35 ft. |
| 13 | 43434031 | Hose Assembly |
| 14 | 43211019 | Control Cable |
| 15 | 66091205 | Control Cable Tube |
| 16 | 40309033 | Switch Kit |
| | 28161067 | Switch - Only - 1/4" terminals |
| 17 | 36433135 | Tool Holder |
| | 36433153 | Tool Holder - U6460-900 |
| 18 | 37255025 | Bag Hag. (Inc. Items 15, 18, 48) Models produced before February 2001 |
| | 37255028 | Bag Hag. (Inc. Items 15, 18, 48) Models produced February 2001 and after |
| 19 | 36433136 | Hose Holder - Upper |
| 20 | 37255010 | Rear Cover |
| 21 | 38641008 | Dirt Duct - U6423-900, U6425-900, U6425-920 |
| | 47823004 | EDF Duct / Mic Assem - Models with EDF |
| 22 | 31178017 | Hose Connector Gasket |
| 23 | 43613021 | Final Filter |
| | 40120101 | Final Filter-HEPA |
| | 40110000 | Final Filter - 3 Layer - U6425-920 |
| 24 | 33769004 | Final Filter Grille |
| 25 | 51151010 | Bag Indicator |
| 26 | Note: All Bag Doors include it. 25, 27 and 28. | |
| | 37254111 | Bag Door - ABM - U6425-900, U6425-920 |
| | 37254110 | Bag Door - ACJ - U6445-900, U6445-920 U6451-900, U6455-900 |
| | 37254112 | Bag Door - AG - U6455-900, U6455-960 |
| | 37254113 | Bag Door - ACM - U6449-900 |
| | 37254114 | Bag Door - ABY - U6423-900 |
| | 37254144 | Bag Door - ABR - U6450-900 |
| | 37254159 | Bag Door - AAY - U6431-900 prior to 6/01 |
| | 37254192 | Bag Door - AFE - U6431-900 after 6/01 |
| | 37254162 | Bag Door - AEC - U6470-900 |
| | 37254170 | Bag Door - AEC - U6470-910 |
| | 37254169 | Bag Door - AEF - U6460-900 |
| | 37254204 | Bag Door - AFK - U6471-900 |
| 27 | 38781057 | Bag Door Gasket |
| 28 | 34123050 | Bag Door Gasket - Bottom |
| 29 | 38765016 | Secondary Filter |
| | 38765023 | Secondary Filter - 2 Layer |
| 30 | 36425034 | Secondary Filter Retainer |
| 31 | 41426150 | Wand / Hose Holder (Inc. hose) |
| 32 | 34131005 | Wire Opening Seal |
| 33 | 27313101 | Bulb |
| 34 | 47173023 | Wiring Harness - U6423-900, U6425-900, U6425-920 w/ 3/16" terminals |
| | 47173027 | Wiring Harness - U6423-900, U6425-900 - U6425-920 - w/ 1/4" terminals (See note 2) |
| | 47173024 | Wiring Harness - w/ 3/16" terminals |
| | 47173028 | Wiring Harness - w/ 1/4" terminals (See note 2) |
| 35 | 21447072 | * Screw |

| Ref. No. | Part No. | Description |
|----------|----------|--|
| 35 | 46851031 | Printed Circuit Board - where applicable |
| 37 | 37944012 | Panel - U6423-900, U6425-900 |
| | 37944011 | EDF Cover - Models with EDF |
| 38 | 27352031 | Snap in Lens - Green - Models with EDF |
| 39 | 27352030 | Snap in Lens - Red - Models with EDF |
| 40 | 39363100 | Lens |
| 41 | 21447228 | * Screw |
| 42 | 36322035 | Motor Mount - Large |
| 43 | 43576191 | Motor Assembly |
| | 41311017 | Motor Brush |
| 44 | 47534032 | Thermal Protector - w/ 3/16" terminals |
| | 26382093 | Thermal Prot. w/ 1/4" terminals - See note 2 |
| 45 | 36322030 | Motor Mount - Small |
| 46 | 37196107 | Motor Cover |
| 47 | 21447230 | * Screw |
| 48 | 23140001 | Tapping Screw and Washer Assem |
| 49 | 21447242 | Screw |
| 50 | 21447072 | * Handle Screws |
| 51 | 37257250 | Tool Door |
| 52 | 36433155 | Tool Holder Cap - U6400-900 |

Items Not Illustrated

| | |
|----------|--|
| 36436014 | + Handle Sleeve (Inc. with Item 5) |
| 27518508 | Wire Connector |
| 3944201P | Cord Wrap - Upper |
| 4010100Y | Throw Away Bag - 3 pk. |
| 34131019 | Wire Opening Plug |
| 21447242 | Screw for Hose Holder (Item 19) |
| 38151101 | Control Cable Support |
| 49811090 | Lead Wire White - (From cord to motor) - w/ 3/16" terminal |
| 49811074 | Lead Wire White - (From cord to motor) - w/ 1/4" terminal (See note 2) |
| 36215028 | Cord Protector |
| 36313037 | Nozzle Spring - U6470-910, U6480-900 |

Tools

| | |
|----------|--|
| 43414162 | Dusting Brush Assembly |
| 43414174 | Dusting Brush Assembly - U6451-960 |
| 3851401E | Furniture Nozzle |
| 38917027 | Crevise Tool |
| 38534078 | Extension Tube (1) |
| 43434042 | Hose Assem. - Extra U6431-900, U6445-900 (See Note 1) |
| 49129007 | Turbine Powered Hand Tool - U6455-900, U6460-900, U6470-900, U6470-910 (P-357) |
| 49129010 | Turbine Powered Hand Tool - U6425-920 U6445-920, U6458-900 (P-357) |
| 49129014 | Turbine Powered Hand Tool (P-357) - AEC U6431-900 after 6/01 |

Packaging

| | |
|----------|--|
| 56511A36 | + Owner Manual - U6431-900, U6458-900 |
| 56511A74 | Owner Manual - U6455-900 (after 07/23/99) |
| 56511A49 | Owner Manual |
| 56511A98 | Owner Manual - U6425-920, U6445-920, U6470-900, U6470-910, U6471-900 |
| 56511B01 | Owner Manual - U6455-960 |
| 56511B22 | Owner Manual - U6460-900 |
| 58194022 | Carton |
| 58186041 | + Carton - U6455-900 |
| 58186046 | + Carton - U6431-900 |

Note 1: Extra Hose Assem. not included with model U6445-900 produced after 07/23/99

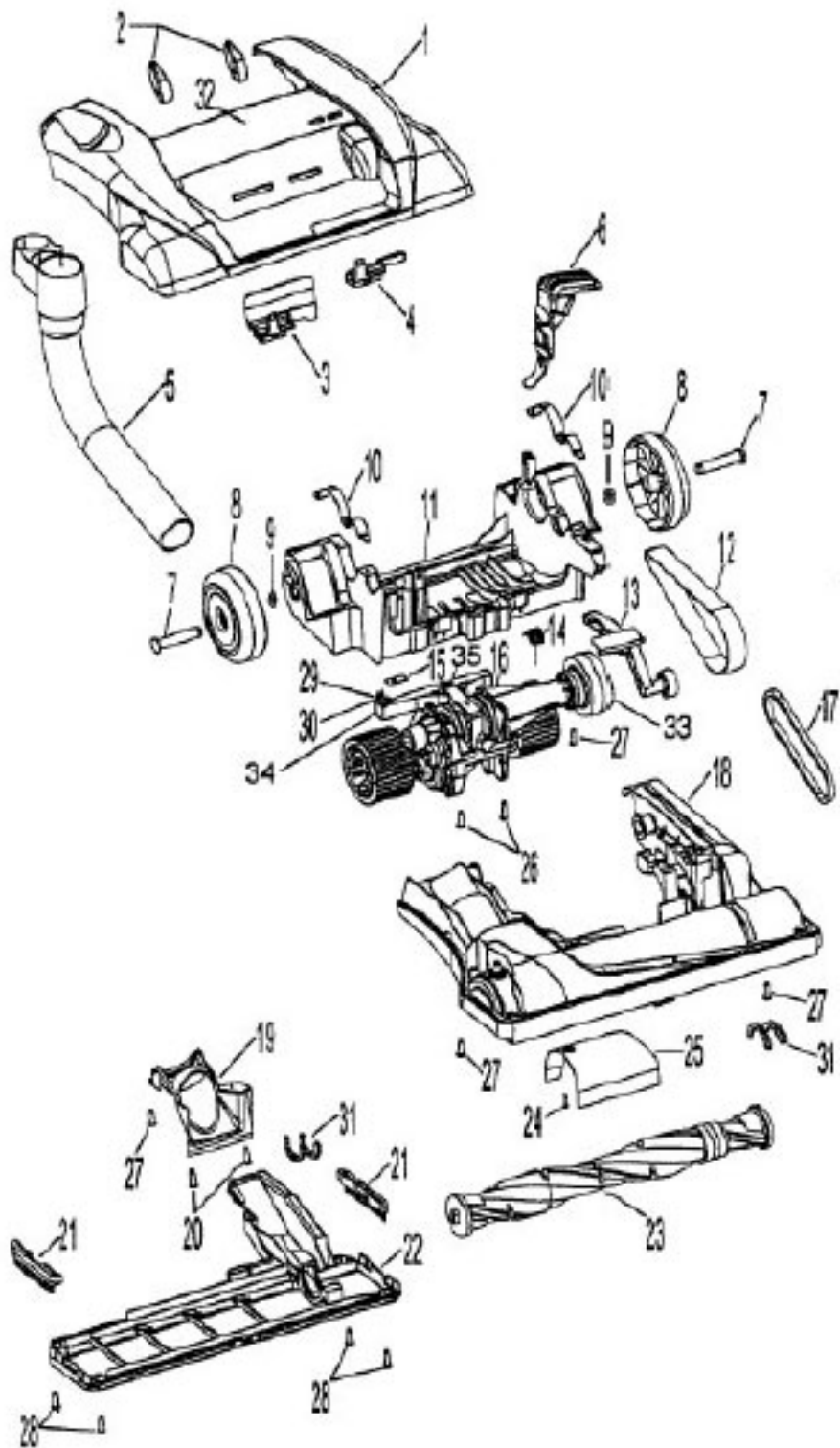
Note 2: Models produced after June 2000 incorporated 14 gauge wiring and associated electrical components with 1/4" terminals. Ref. Service Bulletin 4-00.

* Model U6451-960 is similar to model U6451-900 except for additional (9) type Y Alergen Bags, (1) Crevice Tool, (1) Final Filter, (2) 8ft belts.

Self-Propelled - Ultra
Self-Propelled - Premium w/ EDF

Model U6423-900, U6425-900, U6425-920, U6473-900
Model U6431-900, U6441-900, **U6441-940, U6445-900, U6445-920
U6449-900, U6450-900, U6451-900, *U6451-960, U6455-900, U6455-960,
U6458-900, U6470-900, U6470-910, U6471-900

Farrington S/P W/T w/ onboard Turbine Tool Model U6429-900
Self-Propelled WindTunnel w/ onboard Turbine Tool Model U6430-900, U6432-900, U6436-900, U6439-900, U6433-900,
U6435-900, U6437-900, U6446-900, U6459-900, U6450-900



Self Propelled - Ultra
Self Propelled - Premium w/ EDF

Model U6423-900, U6425-900, U6425-920, U6473-900
Model U6431-900, U6441-900, **U6441-940, U6445-900, U6445-920
U6449-900, U6450-900, U6451-900, *U6451-960, U6455-900, U6455-960,
U6458-900, U6470-900, U6470-910, U6471-900

Farrington S/P W/T w/ onboard Turbine Tool

Model U6429-900

Self Propelled WindTunnel w/ onboard Turbine Tool

Model U6430-900, U6432-900, U6435-900, U6439-900, U6433-900,

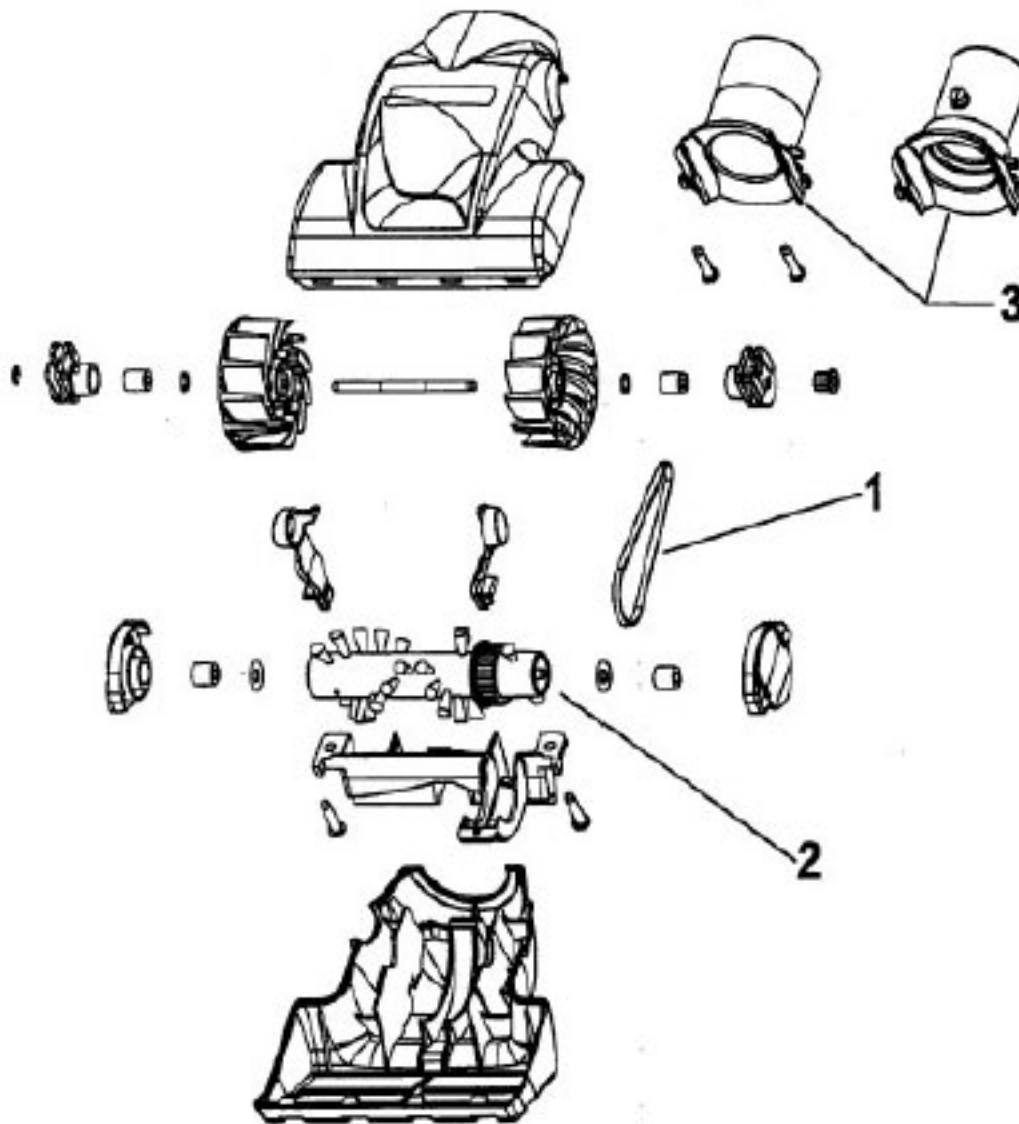
U6435-900, U6437-900, U6445-900, U6459-900, U6460-900

| Ref. No. | Part No. | Description | Ref. No. | Part No. | Description |
|----------|----------|--|-----------------------|----------|---|
| 1 | | Note: All Hood Assembly's include It. 2,3 and 4. | | | Torsion Spring & 37243013 Duct Cover Nozzle) |
| | 37253301 | Hood -ABM - U6425-900, U6425-920, U6430-900, U6435-900 | | 37243014 | Agitator Housing - Late Models produced after 9/98 - (Incl. It. 31) |
| | 37253300 | Hood - ACJ - U6445-900, U6445-920, U6451-900, U6458-900 | 19. | 36172007 | Hose Clamp |
| | 37253302 | Hood - AG - U6436-900, U6455-900, U6455-960, U6459-900 | 20. | 21479446 | * Screw - Hose Clamp |
| | 37253304 | Hood - ACM - U6449-900 | 21. | 39511004 | Litter Picker |
| | 37253309 | Hood - ABY - U6423-900 | | 39511008 | Litter Picker - U6430-900, U6432-900, U6435-900, U6446-900, U6439-900 |
| | 37253317 | Hood - ABR - U6441-900, U6450-900 | 22. | 42245030 | Bottom plate (inc. Item 31) |
| | 37253348 | Hood - AAY - U6429-900 before 12/02, U6431-900 | 23. | 48414069 | Agitator Assembly Complete |
| | 37253384 | Hood - AFE - U6431-900 after 6/01, U6429-900 after 12/02 | 24. | 21479446 | * Screw |
| | 37253351 | Hood - AEC - U6470-900, U6470-910 | 25. | 37243026 | + Duct Cover Nozzle - Early - models produced 9/98 and earlier |
| | 37253359 | Hood - AEF - U6445-900, U6437-900, U6460-900 | | 37243013 | Duct Cover Nozzle - Late - models produced after 9/98 |
| | 37253380 | Hood - ACX - U6432-900, U6439-900 | 26. | 21447242 | Screw - Trans. to main body |
| | 37253398 | Hood - AFK - U6471-900 | 27. | 21447226 | * Screw |
| | 37253A24 | Hood - AEX - U6433-900 | 28. | 21447121 | * Screw - Bottom plate |
| | 37253403 | Hood - ADJ - U6473-900 | 29. | 21751010 | * Screw - Special |
| 2. | 38421094 | Adjustment Knob (2) | 30. | 36128002 | * Washer |
| 3. | 39583026 | Nozzle Adjustment Cam | 31. | 38761053 | * Agitator Pulley Seal |
| 4. | 36143004 | Idler Arm Lock | 32. | 52115209 | Hood Label - U6425-900 |
| 5. | 41426150 | Wand / Hose Holder | | 51438007 | Hood Label - U6445-900, U6449-900, U6450-900, U6451-900, U6458-900, U6470-900 |
| 6. | 38434021 | Handle Release Lever - Models produced before February 2001 | | 51438008 | + Hood Label - U6455-900, U6455-960 |
| | 38434023 | Handle Release Lever - Models prod. February 2001 and later | | 51438012 | Hood Label - U6431-900 |
| 7. | 32434008 | Rear Axle (2) | | 51438022 | Hood Label - U6431-900 after 6/01 |
| 8. | 43244005 | Rear Wheel Assembly - Deluxe with rubber tread - (2) | | 52115213 | Hood Label - U6423-900 |
| | 38522077 | Rear Wheel | | 51438014 | Hood Label - U6446-900 |
| 9. | 160017 | * Retaining Ring | | 51438021 | Hood Label - "12 Amp" - U6446-900 |
| 10. | 36131096 | Trunnion Cover (2) | | 52115219 | Hood Label - U6429-900 after 12/02, U6430-900, U6435-900 |
| 11. | 37241150 | + Main Body - models produced before February 2001 | | 52115220 | Hood Label - U6432-900, U6433-900, U6439-900, U6473-900 |
| | 37241161 | Main Body - models prod. February 2001 and after | | 51438021 | Hood Label - U6470-910 |
| 12. | 38528035 | Flat Belt | | 51438023 | Hood Label - U6459-900, U6436-900 |
| 13. | 43241004 | Idler Arm Assembly | | 52115222 | Hood Label - U6441-900 |
| | 43241006 | Idler Arm Pulley (Only) | | 52115223 | Hood Label - U6429-900 before 12/02 |
| 14. | 38356015 | Torsion Spring - early models - models produced 5/98 and earlier | 33. | 38537013 | Hood Label - U6471-900, U6437-900 |
| | 38356014 | Torsion Spring - late models - models produced after 5/98 | | 160031 | Drive Pulley |
| 15. | 34125004 | * Retainer - Control Cable | 34. | 43143046 | Nut for Pulley |
| | 21447242 | Screw - (2) - (Retainer mounting screws) | 35. | 013759- | Actuator Arm |
| 16. | 43124016 | Power Drive Assembly | | | E Clip |
| 17. | 39528034 | V Belt - Agitator | Items not illustrated | | |
| 18. | 42246136 | + Agitator Housing - Early Models produced 9/98 and earlier - (inc. items 24, 25, 31) (Use 37243014 Agitator Housing plus 38356014 | | 35131101 | Control Cable Support |
| | | | | 38313037 | Spring - Between trans. & agit. hsg. - late models |

* Model U6451-960 is similar to model U6451-900 except for additional (9) type Y Allergen Bags, (1) Crevice Tool, (1) Final Filter, (2) flat belts.

** Model U6441-940 is a model U6441-900 with a bonus hose.

Turbine Driven Hand Tool Model U5458-900,U5460-900,U5458-900,U5462-900,U5750-900,U5757-900,U5755-900, U5761-900,U6425-920,U6431-900,U6445-920,U6446-900,U6455-960, U6458-900, U6470-900, U6470-910, U6616-900, U6617-900, U6625-900, U6630-900, U6632-900, U6655-900, U6660-900



| Ref: No. | Part No. | Description |
|----------|----------|---|
| | 49129010 | Hand Tool - Dark Spruce - U5460-900, U6425-920, U6445-920, U6458-900, U6655-900 |
| | 40200013 | Hand Tool - Sapphire - U5458-900, U5459-900, U5462-900, U5750-900, U5755-900, U5757-900, U5761-900, U6446-900, U6455-960, U6470-900, U6470-910, U6616-900, U6625-900, U6630-900 |
| | 49129014 | Hand Tool - Copper Translucent - U6431-900 after 6/01, U6660-900 |

| Ref: No. | Part No. | Description |
|----------|----------|---|
| | 49129016 | Hand Tool - Ruby- U6617-900 |
| | 40129019 | Hand Tool - Mist Gray Transparent U6632-900 |
| 1 | 38528037 | Belt |
| 2 | 48414088 | Agitator Assembly |
| 3 | 38632011 | Connector - Friction Fit Style |