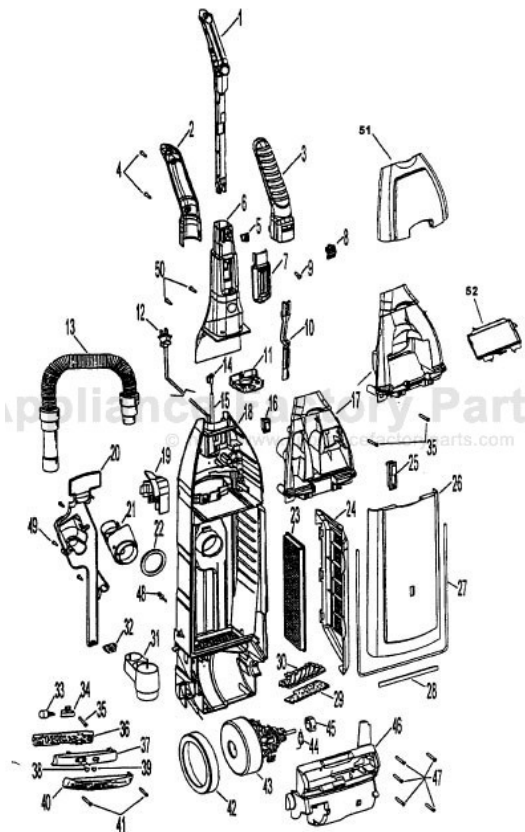


This Owner's Manual is provided and hosted by [Appliance Factory Parts](#).



HOOVER U6458-900 Owner's Manual

[Shop genuine replacement parts for HOOVER
U6458-900](#)



[Find Your HOOVER Vacuum Cleaner Parts - Select From 1456 Models](#)

----- Manual continues below part list -----

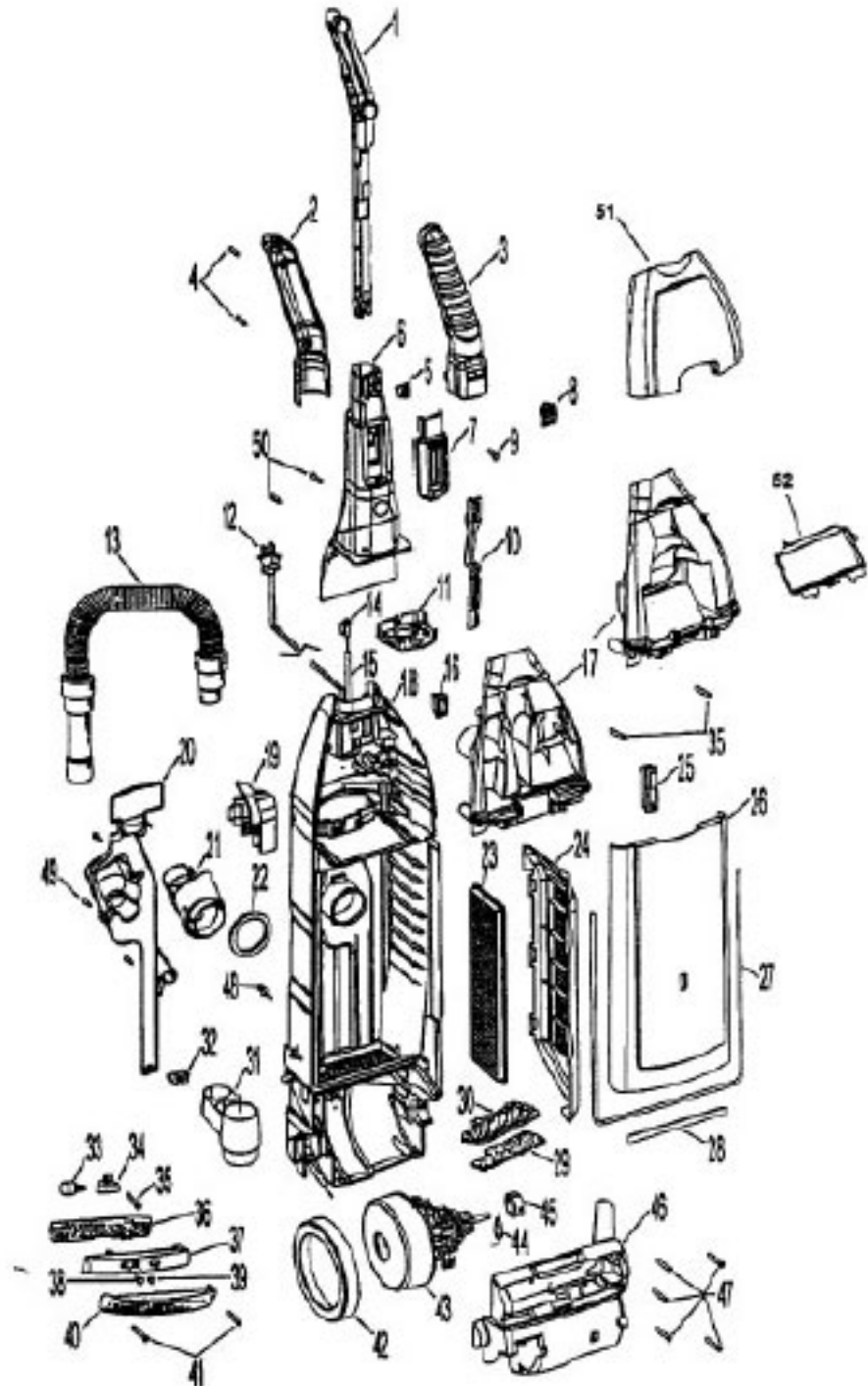
Available Replacement Parts for HOOVER U6458-900

H-4010100Y	BAG VACUUM CLEANER OEM HOOVER 3 PACK
HR-1028	BELT, FLAT, UPRIGHTS, 1PK
HR-1805	FITLER HOOVER 2 PACK AFTERMARKET
HR-1856	FILTER HOOVER
HR-1832	FILTER FOR VACUUM 2 pack
H-40201200	V BELT, W/POWER DRIVE, 1PK
K-109289	BULB
H-38434021	HANDLE RELEASE LEVER
H-36426034	Secondary filter retainer.
H-43244005	Rear wheel
HR-2003	AGITATOR ASSY, COMPLETE

Self Propelled - Ultra
Self Propelled - Premium w/ EDF

Model U6423-900, U6425-900, U6425-920, U6473-900
Model U6431-900, U6445-900, U6445-920, U6449-900,
U6450-900, U6451-900, * U6451-960, U6455-900,
U6455-960, U6458-900, U6470-900, U6470-910, U6471-900
U6460-900

Self Propelled W/T w/Turbine Tool



Self Propelled - Ultra
Self Propelled - Premium w/ EDF

Model U6423-900, U6425-900, U6425-920
Model U6431-900, U6445-900, U6445-920, U6449-900,
U6450-900, U6451-900, * U6451-960, U6455-900,
U6455-960, U6458-900, U6470-900, U6470-910, U6471-900
U6460-900

Self Propelled W/T w/ Turbine Tool

Ref. No.	Part No.	Description
1	36512001	Grip Rod
2	39454068	Handle Grip - Back
3	39454052	Handle Grip - Front (Inc. Item 5)
	39454071	Handle Grip - Front (Inc. Item 5)
4	21447228	* Screw (2)
5	36142002	Drive Control Pin
	36142004	Drive Control Pin - U6460-900
5	39458040	Upper Handle (Inc. Items 7, 8, 10)
7	37258119	Switch Rod Pocket
8	36421005	Switch Button
	38421098	Switch Button - U6460-900
9	21447242	Screw
10	36458051	Switch Rod
11	36023003	Rod Guide
12	46383331	Attachment Cord Assembly - 35 ft.
13	43434031	Hose Assembly
14	43211019	Control Cable
15	66091205	Control Cable Tube
16	40309033	Switch Kit
	28161067	Switch - Only - 1/4" terminals
17	36433135	Tool Holder
	36433153	Tool Holder - U6460-900
18	37255025	Bag Bag. (Inc. Items 15, 18, 48) Models produced before February 2001
	37255028	Bag Bag. (Inc. Items 15, 18, 48) Models produced February 2001 and after
19	36433136	Hose Holder - Upper
20	37255010	Rear Cover
21	38641008	Dirt Duct - U6423-900, U6425-900, U6425-920
	47823004	EDF Duct / Mix Assem. - Models with EDF
22	31178017	Hose Connector Gasket
23	43613021	Final Filter
	40120101	Final Filter-HEPA
	40110000	Final Filter - 3 Layer - U6425-920
24	33769004	Final Filter Grille
25	51151010	Bag Indicator
26	Note: All Bag Doors include it. 25, 27 and 28.	
	37254111	Bag Door - ABM - U6425-900, U6425-920
	37254110	Bag Door - ACJ - U6445-900, U6445-920 U6451-900, U6455-900
	37254112	Bag Door - AG - U6455-900, U6455-960
	37254113	Bag Door - ACM - U6449-900
	37254114	Bag Door - ABY - U6423-900
	37254144	Bag Door - ABR - U6450-900
	37254159	Bag Door - AAY - U6431-900 prior to 6/01
	37254192	Bag Door - AFE - U6431-900 after 6/01
	37254162	Bag Door - AEC - U6470-900
	37254170	Bag Door - AEC - U6470-910
	37254169	Bag Door - AEF - U6460-900
	37254204	Bag Door - AFK - U6471-900
27	38781057	Bag Door Gasket
28	34123050	Bag Door Gasket - Bottom
29	38765019	Secondary Filter
	38765023	Secondary Filter - 2 Layer
30	36425034	Secondary Filter Retainer
31	41426150	Wand / Hose Holder (Inc. hose)
32	34131005	Wire Opening Seal
33	27313101	Bulb
34	47173023	Wiring Harness - U6423-900, U6425-900, U6425-920 w/ 3/16" terminals
	47173027	Wiring Harness - U6423-900, U6425-900 - U6425-920 - w/ 1/4" terminals (See note 2)
	47173024	Wiring Harness - w/ 3/16" terminals
	47173028	Wiring Harness - w/ 1/4" terminals (See note 2)
35	21447072	* Screw

Ref. No.	Part No.	Description
35	46851031	Printed Circuit Board - where applicable
37	37944012	Panel - U6423-900, U6425-900
	37944011	EDF Cover - Models with EDF
38	27352031	Snap in Lens - Green - Models with EDF
39	27352030	Snap in Lens - Red - Models with EDF
40	39363100	Lens
41	21447228	* Screw
42	36322035	Motor Mount - Large
43	43576191	Motor Assembly
	41311017	Motor Brush
44	47534032	Thermal Protector - w/ 3/16" terminals
	26382093	Thermal Prot. w/ 1/4" terminals - See note 2
45	36322030	Motor Mount - Small
46	37196107	Motor Cover
47	21447230	* Screw
48	23140001	Tapping Screw and Washer Assem
49	21447242	Screw
50	21447072	* Handle Screws
51	37257250	Tool Door
52	36433155	Tool Holder Cap - U6400-900

Items Not Illustrated

36436014	+ Handle Sleeve (Inc. with Item 5)
27518508	Wire Connector
3944201P	Cord Wrap - Upper
4010100Y	Throw Away Bag - 3 pk.
34131019	Wire Opening Plug
21447242	Screw for Hose Holder (Item 19)
38151101	Control Cable Support
49811090	Lead Wire White - (From cord to motor) - w/ 3/16" terminal
49811074	Lead Wire White - (From cord to motor) - w/ 1/4" terminal (See note 2)
36215028	Cord Protector
36313037	Nozzle Spring - U6470-910, U6480-900

Tools

43414162	Dusting Brush Assembly
43414174	Dusting Brush Assembly - U6451-960
3851401E	Furniture Nozzle
38917027	Crevice Tool
38534078	Extension Tube (1)
43434042	Hose Assem. - Extra U6431-900, U6445-900 (See Note 1)
49129007	Turbine Powered Hand Tool - U6455-900, U6460-900, U6470-900, U6470-910 (P-357)
49129010	Turbine Powered Hand Tool - U6425-920 U6445-920, U6458-900 (P-357)
49129014	Turbine Powered Hand Tool (P-357) - AEC U6431-900 after 6/01

Packaging

56511A36	+ Owner Manual - U6431-900, U6458-900
56511A74	Owner Manual - U6455-900 (after 07/23/99)
56511A49	Owner Manual
56511A98	Owner Manual - U6425-920, U6445-920, U6470-900, U6470-910, U6471-900
56511B01	Owner Manual - U6455-960
56511B22	Owner Manual - U6460-900
58194022	Carton
58186041	+ Carton - U6455-900
58186046	+ Carton - U6431-900

Note 1: Extra Hose Assem. not included with model U6445-900 produced after 07/23/99

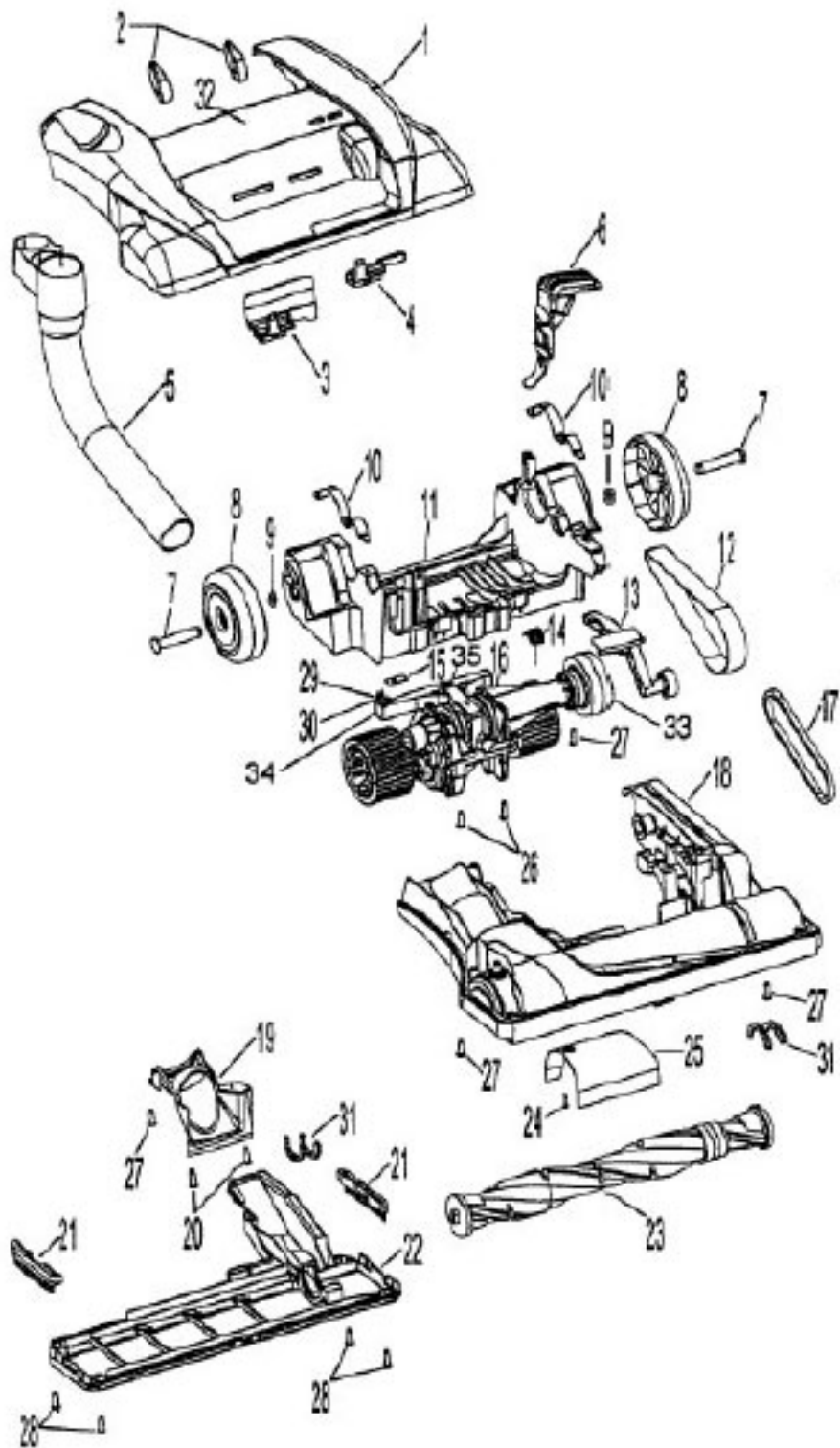
Note 2: Models produced after June 2000 incorporated 14 gauge wiring and associated electrical components with 1/4" terminals. Ref. Service Bulletin 4-00.

* Model U6451-960 is similar to model U6451-900 except for additional (9) type Y Alergen Bags, (1) Crevice Tool, (1) Final Filter, (2) flat belts.

Self-Propelled - Ultra
Self-Propelled - Premium w/ EDF

Model U6423-900, U6425-900, U6425-920, U6473-900
Model U6431-900, U6441-900, **U6441-940, U6445-900, U6445-920
U6449-900, U6450-900, U6451-900, *U6451-960, U6455-900, U6455-960,
U6458-900, U6470-900, U6470-910, U6471-900

Farrington S/P W/T w/ onboard Turbine Tool Model U6429-900
Self-Propelled WindTunnel w/ onboard Turbine Tool Model U6430-900, U6432-900, U6436-900, U6439-900, U6433-900,
U6435-900, U6437-900, U6446-900, U6459-900, U6450-900



Self Propelled - Ultra
Self Propelled - Premium w/ EDF

Model U6423-900, U6425-900, U6425-920, U6473-900
Model U6431-900, U6441-900, **U6441-940, U6445-900, U6445-920
U6449-900, U6450-900, U6451-900, *U6451-960, U6455-900, U6455-960,
U6458-900, U6470-900, U6470-910, U6471-900

Farrington S/P W/T w/ onboard Turbine Tool Model U6429-900

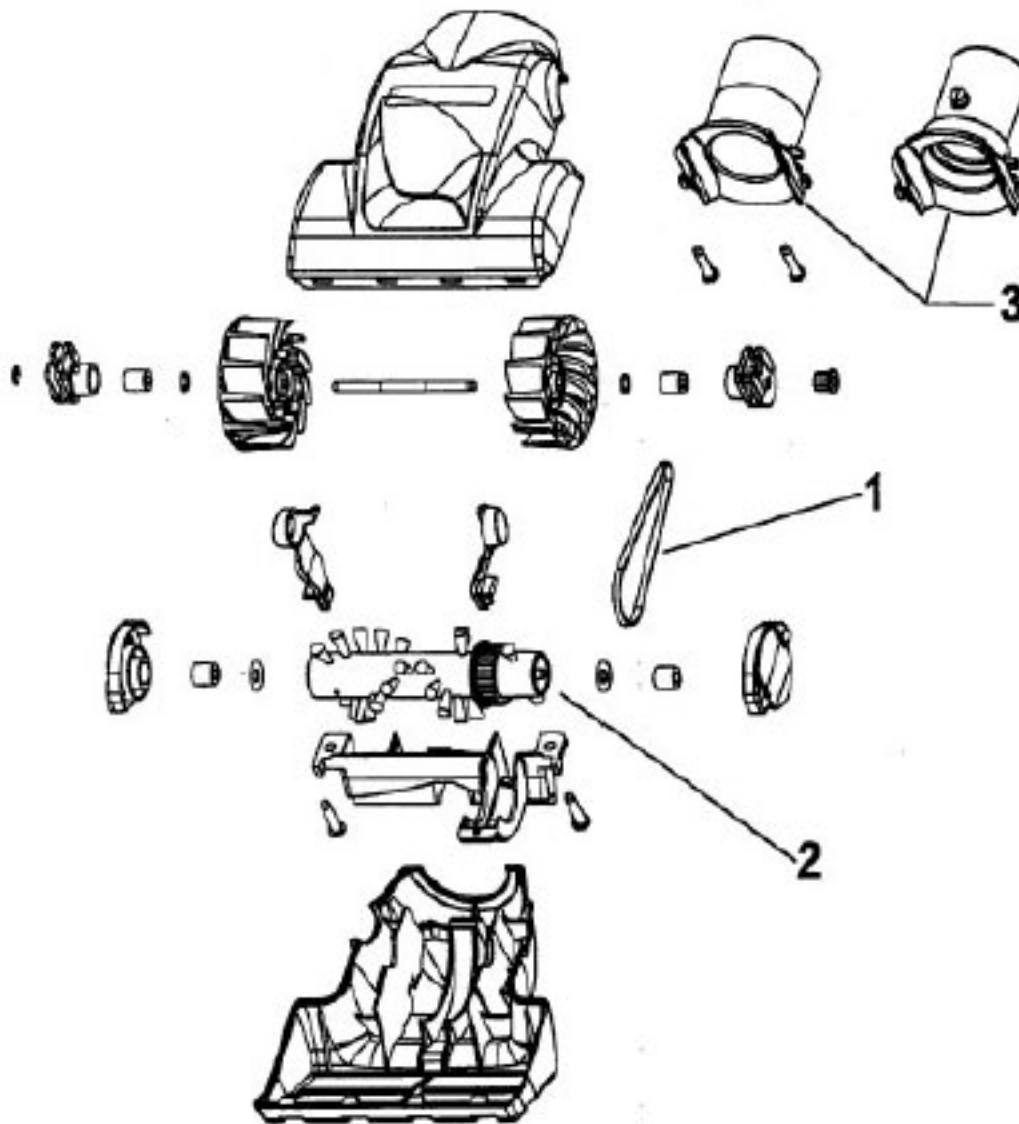
Self Propelled WindTunnel w/ onboard Turbine Tool Model U6430-900, U6432-900, U6435-900, U6439-900, U6433-900,
U6435-900, U6437-900, U6445-900, U6459-900, U6460-900

Ref. No.	Part No.	Description	Ref. No.	Part No.	Description
1	Note: All Hood Assembly's include It. 2,3 and 4. 37253301	Hood -ABM - U6425-900, U6425-920, U6430-900, U6435-900			Torsion Spring & 37243013 Duct Cover Nozzle)
	37253300	Hood - ACJ - U6445-900, U6445-920, U6451-900, U6458-900		37243014	Agitator Housing - Late Models produced after 9/98 - (Incl. It. 31)
	37253302	Hood - AG - U6436-900, U6455-900, U6455-960, U6458-900	19.	36172007	Hose Clamp
	37253304	Hood - ACM - U6449-900	20.	21479446	* Screw - Hose Clamp
	37253309	Hood - ABY - U6423-900	21.	39511004	Litter Picker
	37253317	Hood - ABR - U6441-900, U6450-900		39511008	Litter Picker - U6430-900, U6432-900, U6435-900, U6446-900, U6439-900
	37253348	Hood - AAY - U6429-900 before 12/02, U6431-900	22.	42245030	Bottom plate (inc. Item 31)
	37253384	Hood - AFE - U6431-900 after 6/01, U6429-900 after 12/02	23.	48414069	Agitator Assembly Complete
	37253351	Hood - AEC - U6470-900, U6470-910	24.	21479446	* Screw
	37253359	Hood - AEF - U6445-900, U6437-900, U6460-900	25.	37243026	+ Duct Cover Nozzle - Early - models produced 9/98 and earlier
	37253380	Hood - ACX - U6432-900, U6439-900		37243013	Duct Cover Nozzle - Late - models produced after 9/98
	37253398	Hood - AFK - U6471-900	26.	21447242	Screw - Trans. to main body
	37253A24	Hood - AEX - U6433-900	27.	21447226	* Screw
	37253403	Hood - ADJ - U6473-900	28.	21447121	* Screw - Bottom plate
2.	38421094	Adjustment Knob (2)	29.	21751010	* Screw - Special
3.	39583026	Nozzle Adjustment Cam	30.	36128002	* Washer
4.	36143004	Idler Arm Lock	31.	38761053	* Agitator Pulley Seal
5.	41426150	Wand / Hose Holder	32.	52115209	Hood Label - U6425-900
6.	38434021	Handle Release Lever - Models produced before February 2001		51438007	Hood Label - U6445-900, U6449-900, U6450-900, U6451-900, U6458-900, U6470-900
	38434023	Handle Release Lever - Models prod. February 2001 and later		51438008	+ Hood Label - U6455-900, U6455-960
7.	32434008	Rear Axle (2)		51438012	Hood Label - U6431-900
8.	43244005	Rear Wheel Assembly - Deluxe with rubber tread - (2)		51438022	Hood Label - U6431-900 after 6/01
	38522077	Rear Wheel		52115213	Hood Label - U6423-900
9.	180017	* Retaining Ring		51438014	Hood Label - U6446-900
10.	36131096	Trunnion Cover (2)		51438021	Hood Label - "12 Amp" - U6446-900
11.	37241150	+ Main Body - models produced before February 2001		52115219	Hood Label - U6429-900 after 12/02, U6430-900, U6435-900
	37241161	Main Body - models prod. February 2001 and after		52115220	Hood Label - U6432-900, U6433-900, U6439-900, U6473-900
12.	38528035	Flat Belt		51438021	Hood Label - U6470-910
13.	43241004	Idler Arm Assembly		51438023	Hood Label - U6459-900, U6436-900
	43241006	Idler Arm Pulley (Only)		52115222	Hood Label - U6441-900
14.	38356015	Torsion Spring - early models - models produced 5/98 and earlier		52115223	Hood Label - U6429-900 before 12/02
	38356014	Torsion Spring - late models - models produced after 5/98	33.	38537013	Hood Label - U6471-900, U6437-900
15.	34125004	* Retainer - Control Cable		160031	Drive Pulley
	21447242	Screw - (2) - (Retainer mounting screws)	34.	43143046	Nut for Pulley
16.	43124016	Power Drive Assembly	35.	013759-	Actuator Arm
17.	39528034	V Belt - Agitator			E Clip
18.	42246136	+ Agitator Housing - Early Models produced 9/98 and earlier - (inc. items 24, 25, 31) (Use 37243014 Agitator Housing plus 38356014	Items not illustrated		
				36131101	Control Cable Support
				38313037	Spring - Between trans. & agit. hsg. - late models

* Model U6451-960 is similar to model U6451-900 except for additional (9) type Y Allergen Bags, (1) Crevice Tool, (1) Final Filter, (2) flat belts.

** Model U6441-940 is a model U6441-900 with a bonus hose.

Turbine Driven Hand Tool Model U5458-900,U5460-900,U5458-900,U5462-900,U5750-900,U5757-900,U5755-900, U5761-900,U6425-920,U6431-900,U6445-920,U6446-900,U6455-960, U6458-900, U6470-900, U6470-910, U6616-900, U6617-900, U6625-900, U6630-900, U6632-900, U6655-900, U6660-900



Ref: No.	Part No.	Description
	49129010	Hand Tool - Dark Spruce - U5460-900, U6425-920, U6445-920, U6458-900, U6655-900
	40200013	Hand Tool - Sapphire - U5458-900, U5459-900, U5462-900, U5750-900, U5755-900, U5757-900, U5761-900, U6446-900, U6455-960, U6470-900, U6470-910, U6616-900, U6625-900, U6630-900
	49129014	Hand Tool - Copper Translucent - U6431-900 after 6/01, U6660-900

Ref: No.	Part No.	Description
	49129016	Hand Tool - Ruby- U6617-900
	40129019	Hand Tool - Mist Gray Transparent U6632-900
1	38528037	Belt
2	48414088	Agitator Assembly
3	38632011	Connector - Friction Fit Style