

This Owner's Manual is provided and hosted by [Appliance Factory Parts](#).



HOOVER U6441-900 Owner's Manual

[Shop genuine replacement parts for HOOVER
U6441-900](#)

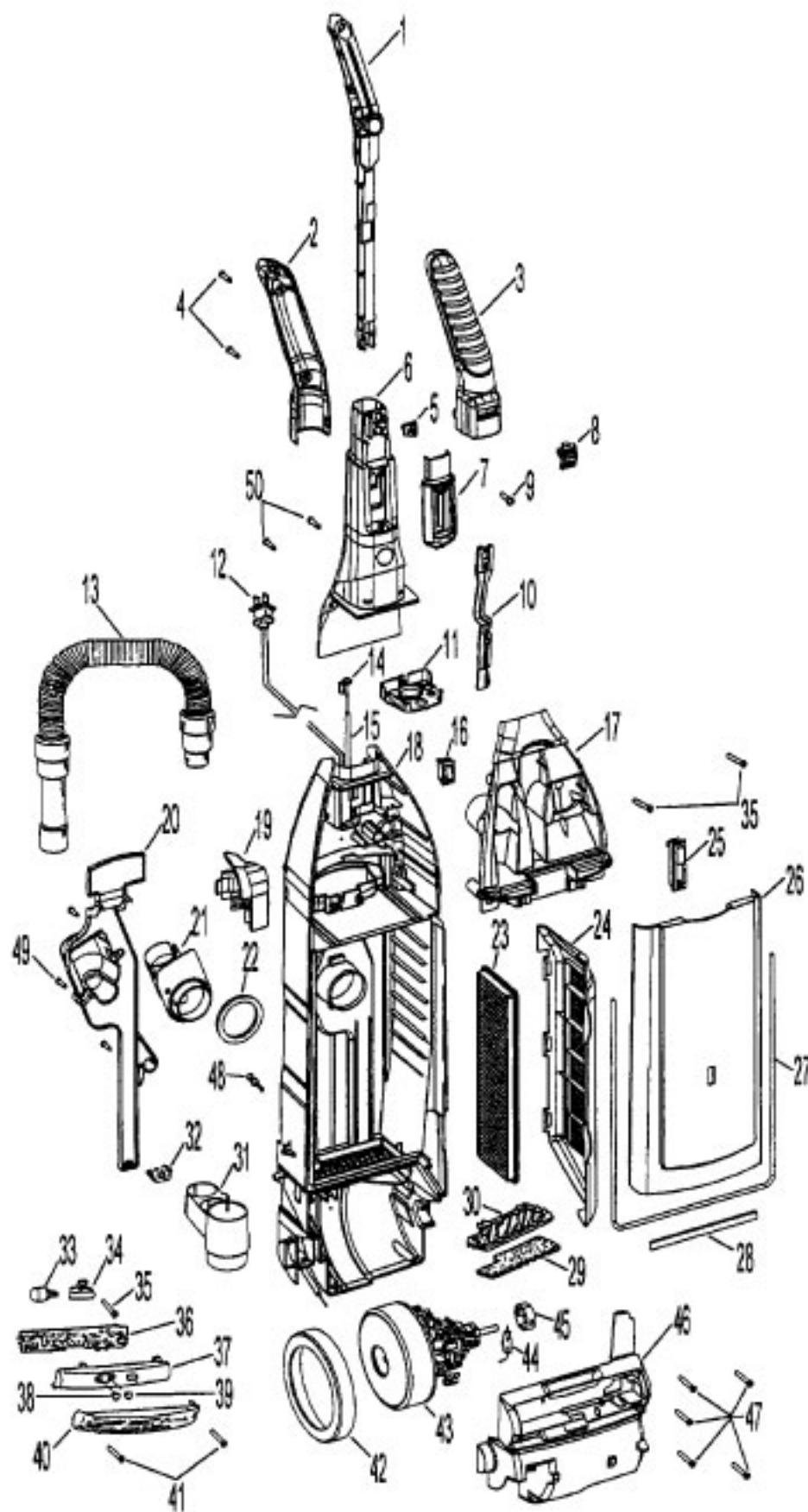


[Find Your HOOVER Vacuum Cleaner Parts - Select From 1456 Models](#)

----- Manual continues below part list -----

Available Replacement Parts for HOOVER U6441-900

H-4010100Y	BAG VACUUM CLEANER OEM HOOVER 3 PACK
HR-1028	BELT, FLAT, UPRIGHTS, 1PK
HR-1832	FILTER FOR VACUUM 2 pack
E-39483	EXHAUST FILTER
H-40201200	V BELT, W/POWER DRIVE, 1PK
K-109289	BULB
H-38434021	HANDLE RELEASE LEVER
H-36426034	Secondary filter retainer.
H-43244005	Rear wheel
HR-2003	AGITATOR ASSY, COMPLETE



Ref. No.	Part No.	Description
1	38512001	Grip Rod
2	39454068	Handle Grip - Back
3	39454062	Handle Grip - Front (Inc. item 5)
4	21447228	* Screw (2)
5	36142002	Drive Control Pin
6	39466040	Upper Handle (Inc. items 7, 8, 10)
7	37258119	Switch Rod Pocket
8	38421005	Switch Button
9	21447242	Screw
10	38458051	Switch Rod
11	36923003	Rod Guide
12	46383331	Attachment Cord Assembly - 35 ft.
13	43434031	Hose Assembly
14	43211019	Control Cable
15	66661205	Control Cable Tube
16	40309033	Switch Kit - Incl. switch, lead wires (2), and insulated terminals (2)
	28161067	Switch - Only
17	36433135	Tool Holder
18	37255028	Bag Hsg. (Inc. items 15, 16, 48)
19	36433136	Hose Holder - Upper
20	37255010	Rear Cover
21	47823004	EDF Duct / Microphone Assembly
22	31178017	Hose Connector Gasket
23	40110006	Final Filter - 3 Layer
24	38769004	Final Filter Grille
25	51151010	Bag Indicator
26	Note: All Bag Doors include lt. 25, 27 and 28.	
	37254187	Bag Door - ABR
27	38781057	Bag Door Gasket
28	34123050	Bag Door Gasket - Bottom
29	38765019	Secondary Filter
30	36426034	Secondary Filter Retainer
31	41426150	Wand / Hose Holder (Inc. hose)
32	34131005	Wire Opening Seal
33	27313101	Bulb
34	47173028	Wiring Harness - w 1/4" terminals
35	21447072	* Screw
36	46851031	Printed Circuit Board
37	37944011	EDF Cover
38	27352031	Snap in Lens - Green - Models with EDF
39	27352030	Snap in Lens - Red - Models with EDF
40	39383100	Lens
41	21447228	* Screw
42	36322035	Motor Mount - Large
43	43576191	Motor Assembly
	41311017	Motor Brush
44	28382093	Thermal Protector
45	36322030	Motor Mount - Small

Ref. No.	Part No.	Description
46	37195107	Motor Cover
47	21447230	* Screw
48	23149001	Tapping Screw and Washer Assem
49	21447242	Screw
50	21447072	* Handle Screws

Items Not Illustrated

36436014	+ Handle Sleeve (Inc. with Item 6)
27618508	Wire Connector
3944201P	Cord Wrap - Upper
37257250	Tool Door
4010100Y	Throw Away Bag - 3 pk.
34131019	Wire Opening Plug
21447242	Screw for Hose Holder (Item 19)
36131101	Control Cable Support
49811074	Lead Wire White - (From cord to motor)
36215028	Cord Protector
38313037	Nozzle Spring

Tools

43414162	Dusting Brush Assembly
3861401E	Furniture Nozzle
38617027	Crevice Tool
38634078	Extension Tube (1)
43434042	Hose Assem. -Extra - U6441-940
49129007	Turbine Powered Hand Tool

Packaging

56511A49	Owner Manual
----------	--------------

* Model U6441-940 is a model U6441-900 with a bonus hose.

Self Propelled Ultra

Self Propelled - Premium w/EDF

Model U6423-900, U6425-900, U6425-920, U6473-900

Model U6431-900, U6441-900, **U6441-940, U6445-900, U6445-920

U6449-900, U6450-900, U6451-900, *U6451-960, U6455-900, U6455-960,

U6458-900, U6470-900, U6470-910, U6471-900

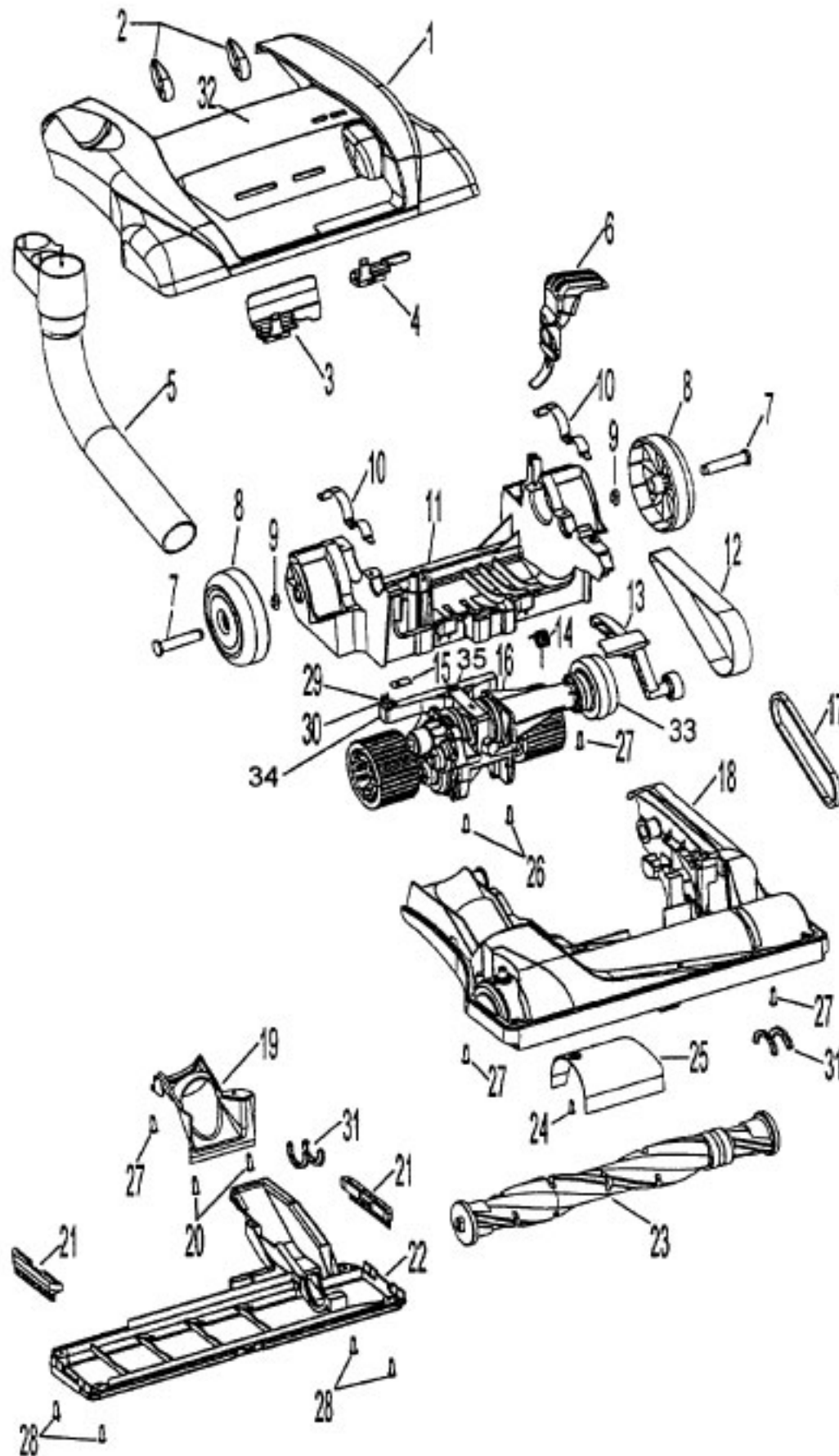
Farrington S/P W/T w/ onboard Turbine Tool

Model U6429-900

Self Propelled WindTunnel w/ onboard Turbine Tool

Model U6430-900, U6432-900, U6436-900, U6439-900, U6433-900,

U6435-900, U6437-900, U6446-900, U6459-900, U6460-900



Self Propelled - Ultra
 Self Propelled - Premium w/EDF

Model U6423-900, U6425-900, U6425-920, U6473-900
 Model U6431-900, U6441-900, **U6441-940, U6445-900, U6445-920
 U6449-900, U6450-900, U6451-900, *U6451-960, U6455-900, U6455-960,
 U6458-900, U6470-900, U6470-910, U6471-900

Farrington S/P W/T w/ onboard Turbine Tool Model U6429-900
 Self Propelled WindTunnel w/ onboard Turbine Tool Model U6430-900, U6432-900, U6436-900, U6439-900, U6433-900,
 U6435-900, U6437-900, U6446-900, U6459-900, U6460-900

Ref. No.	Part No.	Description	Ref. No.	Part No.	Description
1	Note: Ail Hood Assembly's include It. 2,3 and 4. 37253301	Hood -ABM - U6425-900 ,U6425-920 U6430-900, U6435-900		37243014	Torsion Spring & 37243013 Duct Cover Nozzle)
	37253300	Hood - ACJ -U6445-900, U6445-920 U6451-900, U6458-900			Agitator Housing - Late Models produced after 9/98 - (Incl. It. 31)
	37253302	Hood - AG - U6436-900, U6455-900, U6455-960, U6459-900	19.	36172007	Hose Clamp
	37253304	Hood - ACM - U6449-900	20.	21479446	* Screw - Hose Clamp
	37253309	Hood - ABY - U6423-900	21.	39511004	Litter Picker
	37253317	Hood - ABR - U6441-900, U6450-900		39511008	Litter Picker -U6430-900,U6432-900, U6435-900, U6446-900, U6439-900
	37253348	Hood - AAY - U6429-900 before 12/02, U6431-900	22.	42245030	Bottom plate (Inc. item 31)
	37253384	Hood - AFE - U6431-900 after 6/01, U6429-900 after 12/02	23.	48414069	Agitator Assembly Complete
	37253351	Hood - AEC - U6470-900, U6470-910	24.	21479446	* Screw
	37253359	Hood - AEF - U6446-900, U6437-900 U6460-900	25.	37243026	+ Duct Cover Nozzle - Early - models produced 9/98 and earlier
	37253380	Hood - ACX - U6432-900, U6439-900		37243013	Duct Cover Nozzle - Late - models produced after 9/98
	37253398	Hood - AFK - U6471-900	26.	21447242	Screw - Trans. to main body
	37253A24	Hood - AEX - U6433-900	27.	21447228	* Screw
	37253403	Hood - ADJ - U6473-900	28.	21447121	* Screw - Bottom plate
2.	38421094	Adjustment Knob (2)	29.	21751010	* Screw - Special
3.	38563026	Nozzle Adjustment Cam	30.	36128002	* Washer
4.	36143004	Idler Arm Lock	31.	38781053	* Agitator Pulley Seal
5.	41426150	Wand / Hose Holder	32.	52115209	Hood Label - U6425-900
6.	38434021	Handle Release Lever - Models produced before February 2001		51438007	Hood Label - U6445-900, U6449-900, U6450-900, U6451-900, U6458-900, U6470-900
	38434023	Handle Release Lever - Models prod. February 2001 and later		51438008	+ Hood Label - U6455-900, U6455-960
7.	32434008	Rear Axle (2)		51438012	Hood Label - U6431-900
8.	43244005	Rear Wheel Assembly - Deluxe with rubber tread - (2)		51438022	Hood Label - U6431-900 after 6/01
	38522077	Rear Wheel		52115213	Hood Label - U6423-900
9.	160017	* Retaining Ring		51438014	Hood Label - U6446-900
10.	36131096	Trunnion Cover (2)		51438021	Hood Label - "12 Amp" - U6446-900
11.	37241150	+ Main Body - models produced before February 2001		52115219	Hood Label - U6429-900 after 12/02, U6430-900, U6435-900
	37241161	Main Body - models prod. February 2001 and after		52115220	Hood Label - U6432-900, U6433-900 U6439-900, U6473-900
12.	38528035	Flat Belt		51438021	Hood Label - U6470-910
13.	43241004	Idler Arm Assembly		51438023	Hood Label - U6459-900, U6436-900
	43241006	Idler Arm Pulley (Only)		52115222	Hood Label - U6441-900
14.	38356015	Torsion Spring - early models - models produced 5/98 and earlier		52115223	Hood Label - U6429-900 before 12/02
	38356014	Torsion Spring - late models - models produced after 5/98	33.	51438025	Hood Label - U6471-900, U6437-900
15.	34125004	* Retainer - Control Cable		38537013	Drive Pulley
	21447242	Screw - (2) - (Retainer mounting screws)		160031	* Nut for Pulley
16.	43124016	Power Drive Assembly	34.	43143046	Actuator Arm
17.	38528034	V Belt - Agitator	35.	013759--	E Clip
18.	42246136	+ Agitator Housing - Early Models produced 9/98 and earlier (Inc. items 24, 25, 31) (Use 37243014 Agitator Housing plus 38356014	Items not illustrated		
				36131101	Control Cable Support
				38313037	Spring - Between trans. & agit. hsg. - late models
			* Model U6451-960 is similar to model U6451-900 except for additional (9) type Y Allergen Bags, (1) Crevice Tool, (1) Final Filter, (2) flat belts.		
			** Model U6441-940 is a model U6441-900 with a bonus hose.		