

This Owner's Manual is provided and hosted by [Appliance Factory Parts](#).



HOOVER U6655-900 Owner's Manual

[Shop genuine replacement parts for HOOVER
U6655-900](#)



[Find Your HOOVER Vacuum Cleaner Parts - Select From 1456 Models](#)

----- Manual continues below part list -----

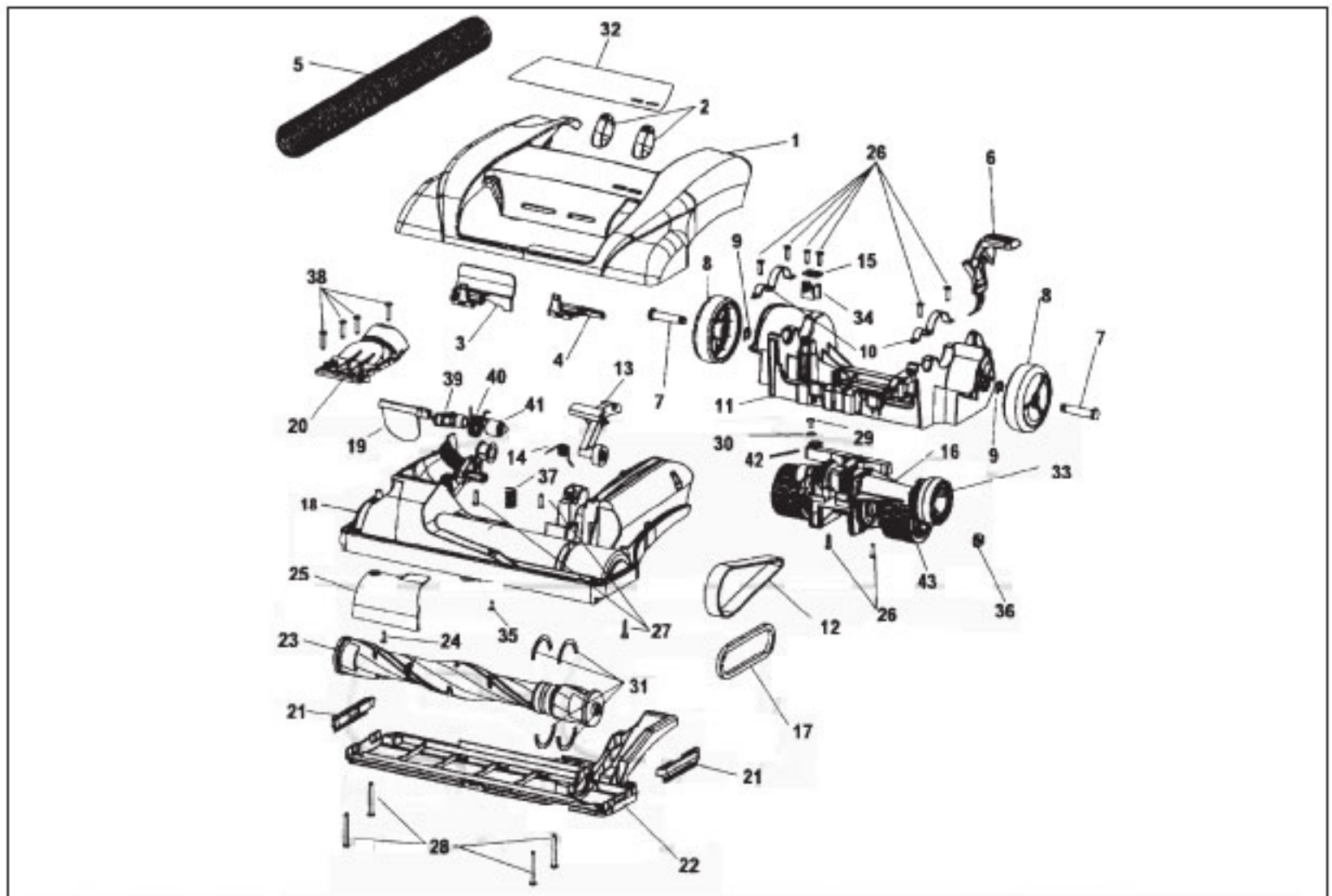
Available Replacement Parts for HOOVER U6655-900

| | |
|----------------------------|----------------------------------|
| HR-1028 | BELT, FLAT, UPRIGHTS, 1PK |
| HR-1805 | FITLER HOOVER 2 PACK AFTERMARKET |
| H-40140201 | Filter for Hepa Bagless |
| K-109289 | BULB |
| FA-3035 | ATTACHMENT CORD ASSY |
| H-43244005 | Rear wheel |
| HR-2003 | AGITATOR ASSY, COMPLETE |

Original **HOOVER**

SELF PROPELLED - BAGLESS

Models U6625-900, U6630-900, U6655-900, U6660-900

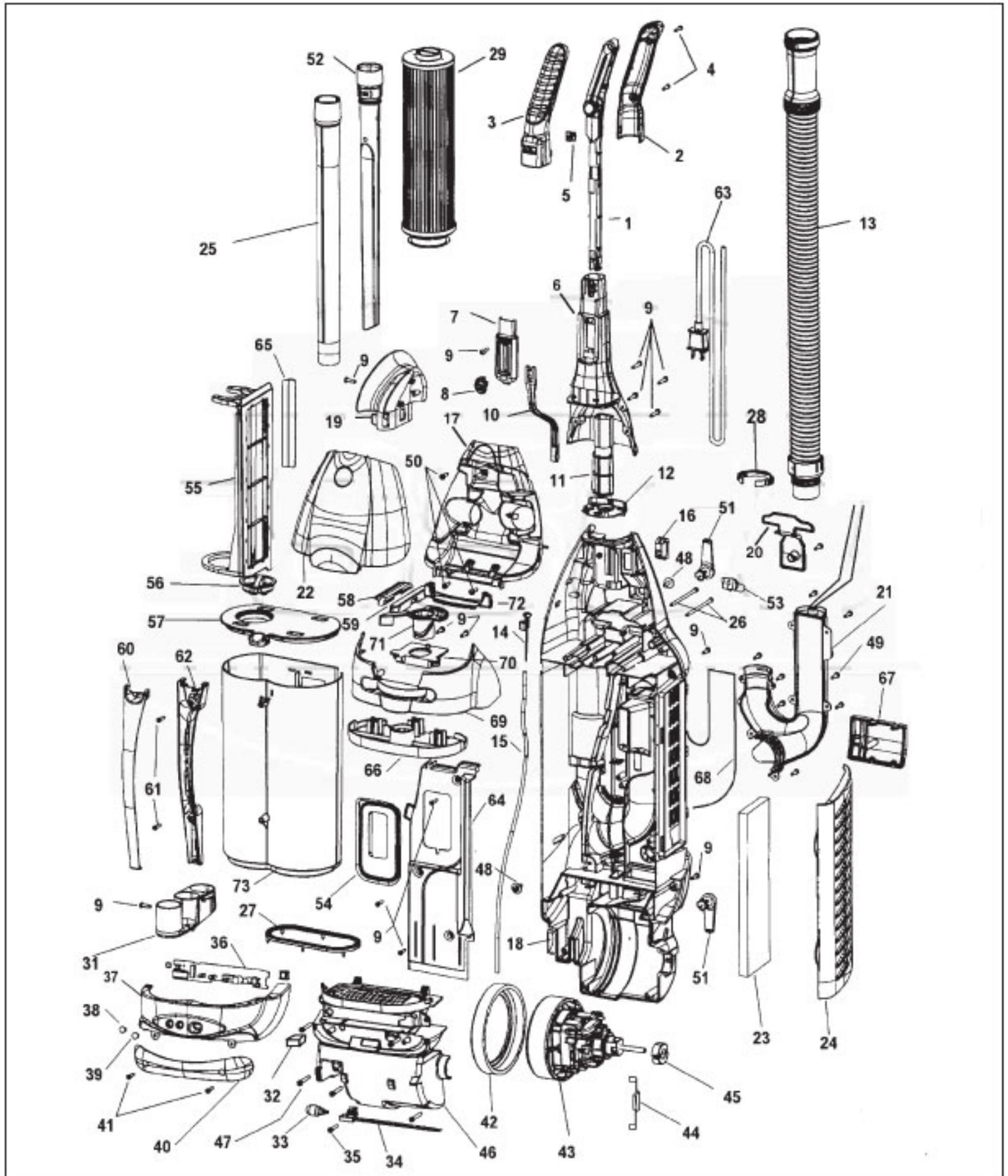


| KEY | PART NO | DESCRIPTION | KEY | PART NO | DESCRIPTION |
|-----|------------|---|-----|------------|--|
| 1 | H-37253365 | Hood Assembly - AEX - U6625-900, U6630-900 (Inc. Items 2, 3, 4) | 18 | H-37243034 | Agitator Housing - U6625-900, U6630-900, U6660-900 (Inc. Item 31) |
| 1 | H-37253367 | Hood Assembly - AEM - U6655-900 (Inc. Items 2, 3, 4) | 18 | H-37243035 | Agitator Housing - U6655-900 (Inc. item 31) |
| 1 | H-37253368 | Hood Assembly - AG - U6660-900 (Inc. Items 2, 3, 4) | 19 | H-38718013 | Valve Door |
| 2 | H-38421099 | Adjustment Knob | 20 | H-38715017 | Valve Cover |
| 3 | H-38563026 | Nozzle Adjustment Cam | 21 | H-39511004 | Litter Picker |
| 4 | H-36143004 | Idler Arm Lock | 22 | H-42245030 | Bottom plate (Includes Item 31) |
| 5 | H-38671022 | Lower Hose | 23 | H-48414069 | Agitator Assembly Complete |
| 6 | H-38434023 | Handle Release Lever | 24 | H-21479446 | Screw |
| 7 | H-32434008 | Rear Axle | 25 | H-37243013 | Duct Cover Nozzle |
| 8 | H-38522077 | Rear Wheel - U6625-900, U6630-900, U6660-900 | 26 | H-21447242 | Screw |
| 8 | H-43244005 | Rear Wheel - U6655-900 | 27 | H-21447228 | Screw |
| 9 | H-160017 | Retaining Ring | 28 | H-21447121 | Screw- Bottom Plate |
| 10 | H-36131096 | Trunnion Cover | 29 | H-21751010 | Screw - Special |
| 11 | H-37241164 | Main Body- ABE | 30 | H-36128002 | Washer |
| 12 | H-38528035 | Flat Belt | 31 | H-38781053 | Agitator Pulley Seal |
| 13 | H-43241004 | Idler Arm Assembly | 32 | H-51438015 | Hood Nameplate |
| | H-43241006 | Idler Arm Pulley (Only) | 33 | H-38537013 | Drive Pulley |
| 14 | H-38356014 | H-Torsion Spring | 34 | H-36131101 | Control Cable Support |
| 15 | H-34125004 | Retainer - Control Cable | 35 | H-21447263 | Screw |
| 16 | H-43124016 | Power Drive Assembly | 36 | H-160031 | Nut |
| 17 | H-38528034 | V Belt - Agitator | 37 | H-38313037 | Spring |
| | | | 38 | H-21479345 | Screw |
| | | | 39 | H-38719049 | Valve Arm - Front |
| | | | 40 | H-38358001 | Spring |
| | | | 41 | H-38719048 | Valve Arm - Rear |
| | | | 42 | H-43143046 | Actuator Arm |
| | | | 43 | H-163340 | Power Drive Wheel |

HOOVER Original

SELF PROPELLED - BAGLESS

Models U6625-900, U6630-900, U6655-900, U6660-900



Original **HOOVER**

SELF PROPELLED – BAGLESS

Models U6625-900, U6630-900, U6655-900, U6660-900

| KEY | PART NO | DESCRIPTION |
|-----|------------|---|
| 1 | H-38512001 | Grip Rod |
| 2 | H-39454068 | Handle Grip - Back |
| 3 | H-39454071 | Handle Grip - Front (Inc. item 5) |
| 4 | H-21447228 | Screw (2) |
| 5 | H-36142004 | Drive Control Pin |
| 6 | H-39466053 | Upper Handle (Inc. items 7, 8, 9,10,11) |
| 7 | H-37258119 | Switch Rod Pocket |
| 8 | H-38421098 | Switch Button |
| 9 | H-21447242 | Screw |
| 10 | H-38458062 | Switch Rod |
| 11 | H-36436014 | Handle Sleeve |
| 12 | H-36923012 | Rod Guide |
| 13 | H-43434073 | Hose Assembly |
| 14 | H-43211019 | Control Cable |
| 15 | H-66661205 | Control Cable Tube |
| 16 | H-28161067 | Switch |
| 17 | H-36433157 | Tool Holder |
| 18 | H-37259010 | Dirt Cup Hsg. (Inc. items 15, 16, 48) |
| 19 | H-36433159 | Hose Holder Housing |
| 20 | H-37259018 | Rear Cover |
| 21 | H-47823006 | EDF Duct / Mic Assembly |
| 22 | H-37257269 | Tool Door |
| 23 | H-40110006 | Final Filter |
| 24 | H-38769007 | Final Filter Grille |
| 25 | H-38634078 | Extension Tube |
| 26 | H-21447246 | Screw |
| 27 | H-38785017 | Exhaust Seal |
| 28 | H-36172014 | Clip |
| 29 | H-40140201 | Cartridge Filter |
| 31 | H-36433158 | Wand / Hose Holder |
| 32 | H-34131019 | Wire Opening Plug |
| 33 | H-27313101 | Bulb |
| 34 | H-47173024 | Wiring Harness |
| 35 | H-21447072 | Screw |
| 36 | H-46851034 | Printed Circuit Board |
| 37 | H-37246135 | EDF Cover - AEX - U6625-900, U6630-900 |
| 37 | H-246137 | EDF Cover-AEM - U6655-900 |
| 37 | H-246138 | EDF Cover - AG - U6660-900 |
| 38 | H-27352031 | Snap in Lens - Green |
| 39 | H-27352030 | Snap in Lens - Red |
| 40 | H-39383115 | Lens |
| 41 | H-21447228 | Screw |
| 42 | H-36322035 | Motor Mount - Large |
| 43 | H-43576191 | Motor Assembly |
| 44 | H-28382088 | Thermal Protector |
| 45 | H-36322030 | Motor Mount - Small |
| 46 | H-37196155 | Motor Cover |
| 47 | H-21447230 | Screw |
| 48 | H-23149001 | Tapping Screw and Washer Assembly |
| 49 | H-21447266 | Screw |
| 50 | H-21447072 | Screw |
| 51 | H-3944201P | Cord Wrap |
| 52 | H-38617029 | Crevice Tool - Long |
| 53 | H-36215028 | Cord Protector |
| 54 | H-38783028 | Inlet Seal |
| 55 | H-36426051 | Pre-Filter Assembly |
| 56 | H-38411010 | Knob - Cartridge Filter |
| 57 | H-37249011 | Dirt Cup Lid |
| 58 | H-39511004 | Litter Picker |
| 59 | H-36131111 | Pre-Filter Brush Holderr (Inc. Item 58) |

| KEY | PART NO | DESCRIPTION |
|-----------------------|------------|--|
| 60 | H-39457021 | Dirt Cup Handle Cover - AEX- U6625-900, U6630-900 |
| 60 | H-39457024 | Dirt Cup Handle Cover - AEM - U6655-900 |
| 60 | H-39457025 | Dirt Cup Handle Cover - AG - U6660-900 |
| 61 | H-21447045 | Screw |
| 62 | H-39457022 | Dirt Cup Handle - ABE |
| 63 | H-46383331 | Attachment Cord Assembly - 35 ft |
| 64 | H-37259017 | Muffler/Wire Cover |
| 65 | H-39512020 | Expulsion Blade |
| 66 | H-38567035 | Latch Cover - AEX - U6625-900, U6630-900 |
| 66 | H-38567037 | Latch Cover - AEM - U6655-900 |
| 66 | H-38567038 | Latch Cover - AG - U6660-900 |
| 67 | H-37255015 | Muffler Cover - Rear - ABE |
| 68 | H-38781060 | Gasket |
| 69 | H-37258145 | Note: All Latch Cover Shrouds include items 9 & 70 Latch Cover Shroud-AEX- U6625-900, U6630-900 |
| 69 | H-37258152 | Latch Cover Shroud - AEM - U6655-900 |
| 69 | H-37258153 | Latch Cover Shroud - AG - U6660-900 |
| 70 | H-36155013 | Latch Sleeve |
| 71 | H-38562007 | Lid / Latch Cam -ABR |
| 72 | H-37258146 | Cam Slot Cap - AEX - U6625-900, U6630-900 |
| 72 | H-37258148 | Cam Slot Cap - AEM - U6655-900 |
| 72 | H-37258149 | Cam Slot Cap - AG - U6660-900 |
| 73 | H-38775084 | Dirt C up |
| Items Not Illustrated | | |
| | H-27618508 | Wire Connector |
| | H-49811074 | Lead Wire White - (From cord to motor) |
| | H-49811070 | Lead Wire Orange - (Cord to switch) |
| Tools | | |
| | H-43414174 | Dusting Brush Assembly |
| | H-3861401E | Furniture Nozzle |
| | H-49129007 | Turbine Powered Hand Tool U6625-900, U6630-900 |
| | H-49129010 | Turbine Powered Hand Tool U6655-900 |
| | H-49129014 | Turbine Powered Hand Tool U6660-900 |
| | H-43434073 | Hose Assembly - Extra - U6625-900, U6655-900, U6660-900 |