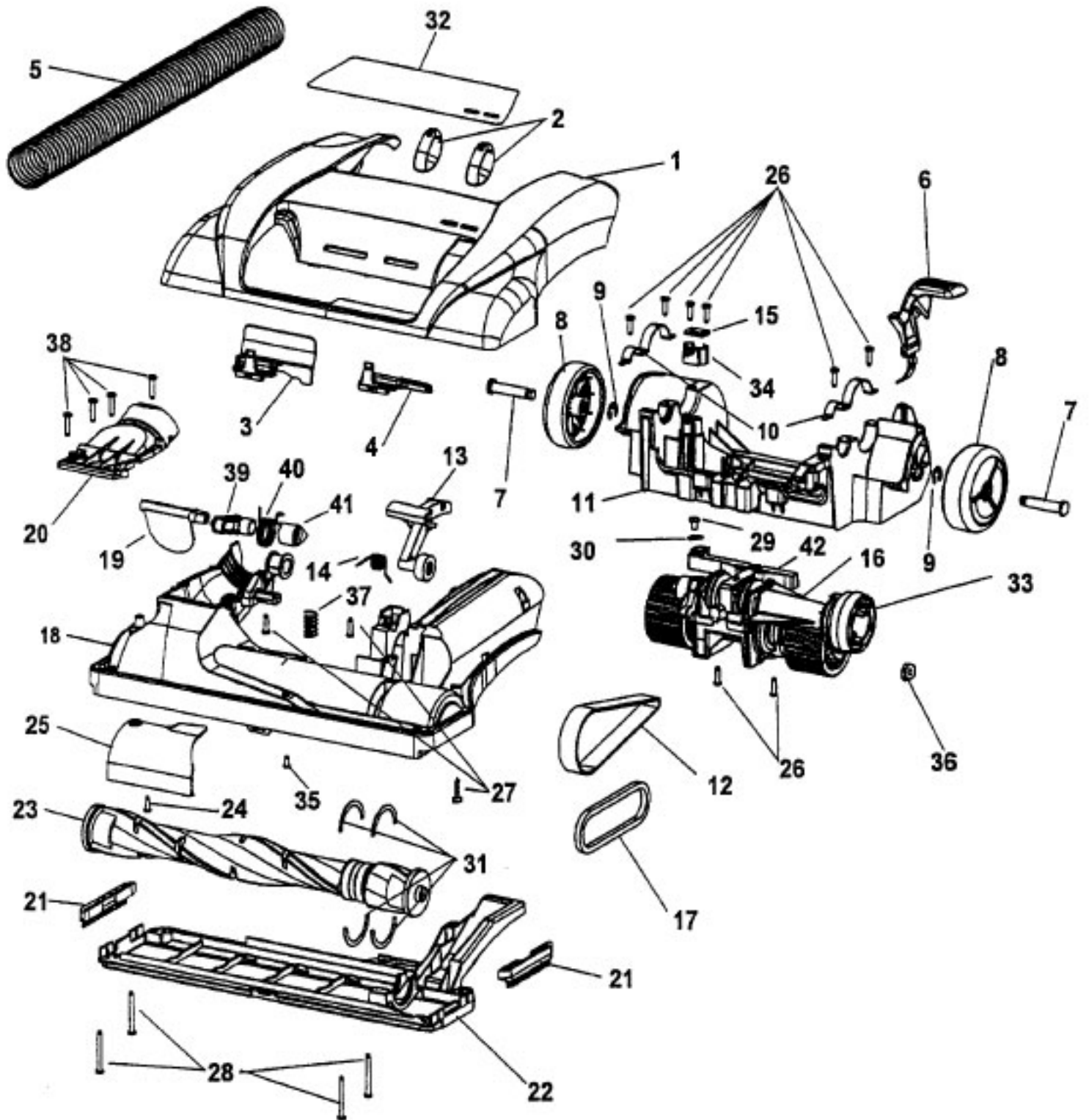
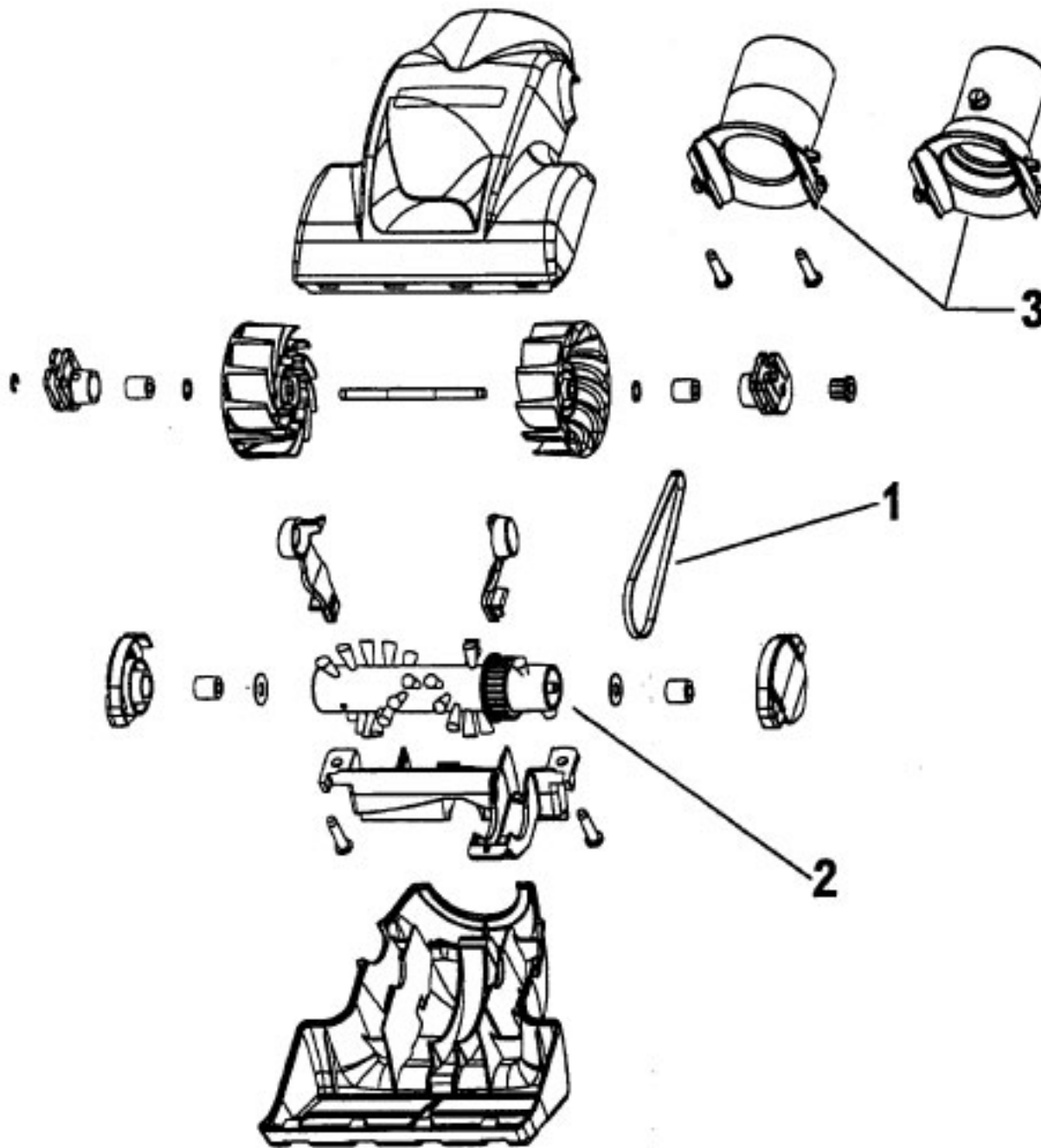


Ref. No.	Part No.	Description	Ref. No.	Part No.	Description
1	38512001	Grip Rod	58.	39511004	Litter Picker
2.	39454068	Handle Grip - Back	59.	36131111	Pre-Filter Brush Holder
3.	39454071	Handle Grip - Front (Inc. item 5)	60.	39457021	Dirt Cup Handle Cover - AEX - U6625-900, U6630-900, U6630-960, U6632-900
4.	21447228	Screw (2)		39457024	Dirt Cup Handle Cover - AEM - U6655-900
5.	36142004	Drive Control Pin		39457025	Dirt Cup Handle Cover - AG - U6660-900
6.	39466053	Upper Handle (Inc. items 7, 8, 9,10,11)	61.	21447043	Screw
7.	37258119	Switch Rod Pocket	62.	39457022	Dirt Cup Handle - ABE
8.	38421098	Switch Button	63.	46383331	Attachment Cord Assembly - 35 ft
9.	21447242	Screw	64.	37259017	Muffler / Wire Cover
10.	38458052	Switch Rod	65.	39512020	Expulsion Blade
11.	36436014	Handle Sleeve	66.	38567035	Latch Cover - AEX - U6625-900, U6630-900, U6630-960
12.	36923012	Rod Guide		38567037	Latch Cover - AEM - U6655-900
13.	43434073	Hose Assembly (units prior to 11/02) see note #1		38567038	Latch Cover - AG - U6632-900, U6660-900
	43434257	Hose Assembly (units after 11/02)	67.	37255015	Muffler Cover - Rear - ABE
14.	43211019	Control Cable	68.	38781060	Gasket
15.	66661205	Control Cable Tube	69.	Note: All Latch Cover Shrouds include items 9 & 70	
16.	28161067	Switch		37258145	Latch Cover Shroud - AEX - U6625-900, U6630-900, U6630-960
17.	36433157	Tool Holder		37258189	Latch Cover Shroud - AEF - U6632-900
18.	37259010	Dirt Cup Hsg. (Inc. items 15, 16, 48)		37258152	Latch Cover Shroud - AEM - U6655-900
19.	36433159	Hose Holder - Upper		37258153	Latch Cover Shroud - AG - U6660-900
20.	37259018	Rear Cover	70.	36155013	Latch Sleeve
21.	47823006	EDF Duct / Mic Assembly	71.	38562007	Lid / Latch Cam -ABR
22.	37257269	Tool Door	72.	37258146	Cam Slot Cap - AEX - U6625-900, U6630-900, U6630-960
23.	40110006	Final Filter		37258148	Cam Slot Cap - AEM - U6655-900
24.	38769007	Final Filter Grille - AEZ		37258149	Cam Slot Cap - AG - U6632-900, U6660-900
	38769009	Final Filter Grille - ACW - U6632-900	73.	38775084	Dirt Cup
25.	38634078	Extension Tube	74.	37259018	Cable Cover
26.	21447246	Screw		Items Not Illustrated	
27.	38785017	Exhaust Seal		27618508	Wire Connector
28.	36172014	Clip		49811074	Lead Wire White - (From cord to motor)
29.	40140201	Cartridge Filter		49811070	Lead Wire Orange - (Cord to switch)
31.	36433158	Wand / Hose Holder	Tools		
32.	34131019	Wire Opening Plug		43414174	Dusting Brush Assembly
33.	27313101	Bulb		3861401E	Furniture Nozzle
34.	47173024	Wiring Harness		40200013	Turbine Hand Tools - See Page 357
35.	21447072	Screw		49129019	Turbine Hand Tool - U6632-900
36.	46851034	Printed Circuit Board		49129010	Turbine Hand Tool - U6655-900
37.	37246135	EDF Cover - AEX - U6625-900, U6630-900, U6630-960		49129014	Turbine Hand Tool - U6660-900
	37246137	EDF Cover - AEM - U6655-900		43434073	Hose Assembly - Extra - U6625-900, U6630-960, U6655-900, U6660-900
	37246138	EDF Cover - AG - U6660-900		43434042	Hose Assembly - Extra (units after 11/02)
	37246146	EDF Cover - AEF - U6632-900	Packaging		
38.	27352031	Snap in Lens - Green		56511B64	Owner Manual
39.	27352030	Snap in Lens - Red		56511B78	Owner Manual - U6632-900
40.	39383115	Lens		56511B26	Owner Manual - U6660-900
41.	21447228	Screw		58164022	Carton without Point of Sale Label
42.	36322035	Motor Mount - Large		58164025	Carton - U6660-900
43.	43576191	Motor Assembly		Note #1: in November 2002 these units were produced with the standard WindTunnel Hose and standard WindTunnel Extra Hose. See service bulletin 8-02	
44.	28382093	Thermal Protector			
45.	36322030	Motor Mount - Small			
46.	37196155	Motor Cover			
47.	21447230	Screw			
48.	23149001	Tapping Screw and Washer Assembly			
49.	21447266	Screw (8)			
50.	21447072	Screw			
51.	3944201P	Cord Wrap			
52.	38617029	Crevice Tool - Long			
53.	36215028	Cord Protector			
54.	38783028	Inlet seal			
55.	36426051	Pre-Filter Assembly			
56.	38411010	Knob - Cartridge Filter			
57.	37249011	Dirt Cup Lid			



Ref. No.	Part No.	Description	Ref. No.	Part No.	Description
1		Note: Hood Assembly includes Items 2,3 and 4.	23.	48414069	Agitator Assembly Complete
	37253365	Hood Assembly - AEX - U6625-900, U6626-900, U6630-900, U6630-960	24.	21479446	Screw
	37253A19	Hood Assembly - AEF - U6632-900	25.	37243013	Duct Cover Nozzle
	37253367	Hood Assembly - AEM - U6655-900	26.	21447242	Screw
	37253368	Hood Assembly - AG - U6660-900	27.	21447228	Screw
	37253A08	Hood Assembly - ADJ - U6616-900	28.	21447121	Screw - Bottom plate
	37253A15	Hood Assembly - ADR - U6617-900	29.	21751010	Screw - Special
	37253400	Hood Assembly - ADM - U6607-900	30.	36128002	Washer
2.	38421099	Adjustment Knob (2)	31.	38781053	Agitator Pulley Seal
3.	38563026	Nozzle Adjustment Cam	32.	51438015	Hood Nameplate
4.	36143004	Idler Arm Lock	33.	38537013	Drive Pulley
5.	38671022	Lower Hose	34.	36131101	Control Cable Support
6.	38434023	Handle Release Lever	35.	21447263	Screw
7.	32434008	Rear Axle (2)	36.	160031-	Nut
8.	38522077	Rear Wheel (2) - U6625-900, U6630-900, U6660-900	37.	38313037	Spring
	43244005	Rear Wheel (2) - U6626-900, U6630-960, U6632-900, U6655-900	38.	21447229	Screw
9.	160017	Retaining Ring	39.	38719049	Valve Arm - Front
10.	36131096	Trunnion Cover (2)	40.	38358001	Spring
11.	37241164	Main Body - ABE	41.	38719048	Valve Arm - Rear
12.	38528035	Flat Belt	42.	43143046	Actuator Arm
13.	43241004	Idler Arm Assembly			
	43241006	Idler Arm Pulley (Only)			
14.	38356014	Torsion Spring			
15.	34125004	Retainer - Control Cable			
16.	43124016	Power Drive Assembly			
17.	38528034	V Belt - Agitator			
18.		Note: Agitator Housings include item 31			
	37243034	Agitator Housing - U6625-900, U6626-900, U6630-900, U6630-960, U6660-900			
	37243035	Agitator Housing - U6632-900, U6655-900			
19.	38718013	Valve Door			
20.	38715017	Valve Cover			
21.	39511004	Litter Picker			
22.	42245030	Bottom plate (Includes Item 31)			

Turbine Driven Hand Tool Model U5456-900,U5460-900,U5458-900,U5462-900,U5750-900,U5757-900,U5755-900,
 U5761-900,U6425-920,U6431-900,U6445-920,U6446-900,U6455-960, U6458-900,
 U6470-900, U6470-910, U6616-900, U6617-900, U6625-900, U6630-900, U6632-900,
 U6655-900, U6660-900



Ref: No.	Part No.	Description
	49129010	Hand Tool - Dark Spruce - U5460-900, U6425-920, U6445-920, U6458-900, U6655-900
	40200013	Hand Tool - Sapphire - U5456-900, U5458-900, U5462-900, U5750-900, U5755-900, U5757-900, U5761-900, U6446-900, U6455-960, U6470-900, U6470-910, U6616-900, U6625-900, U6630-900
	49129014	Hand Tool - Copper Translucent - U6431-900 after 6/01, U6660-900

Ref: No.	Part No.	Description
	49129018	Hand Tool - Ruby- U6617-900
	49129019	Hand Tool - Mist Gray Transparent U6632-900
1	38528037	Belt
2.	48414088	Agitator Assembly
3.	38632011	Connector - Friction Fit Style