

This Owner's Manual is provided and hosted by [Appliance Factory Parts](#).



# HOOVER UH60010 Owner's Manual

[Shop genuine replacement parts for HOOVER UH60010](#)



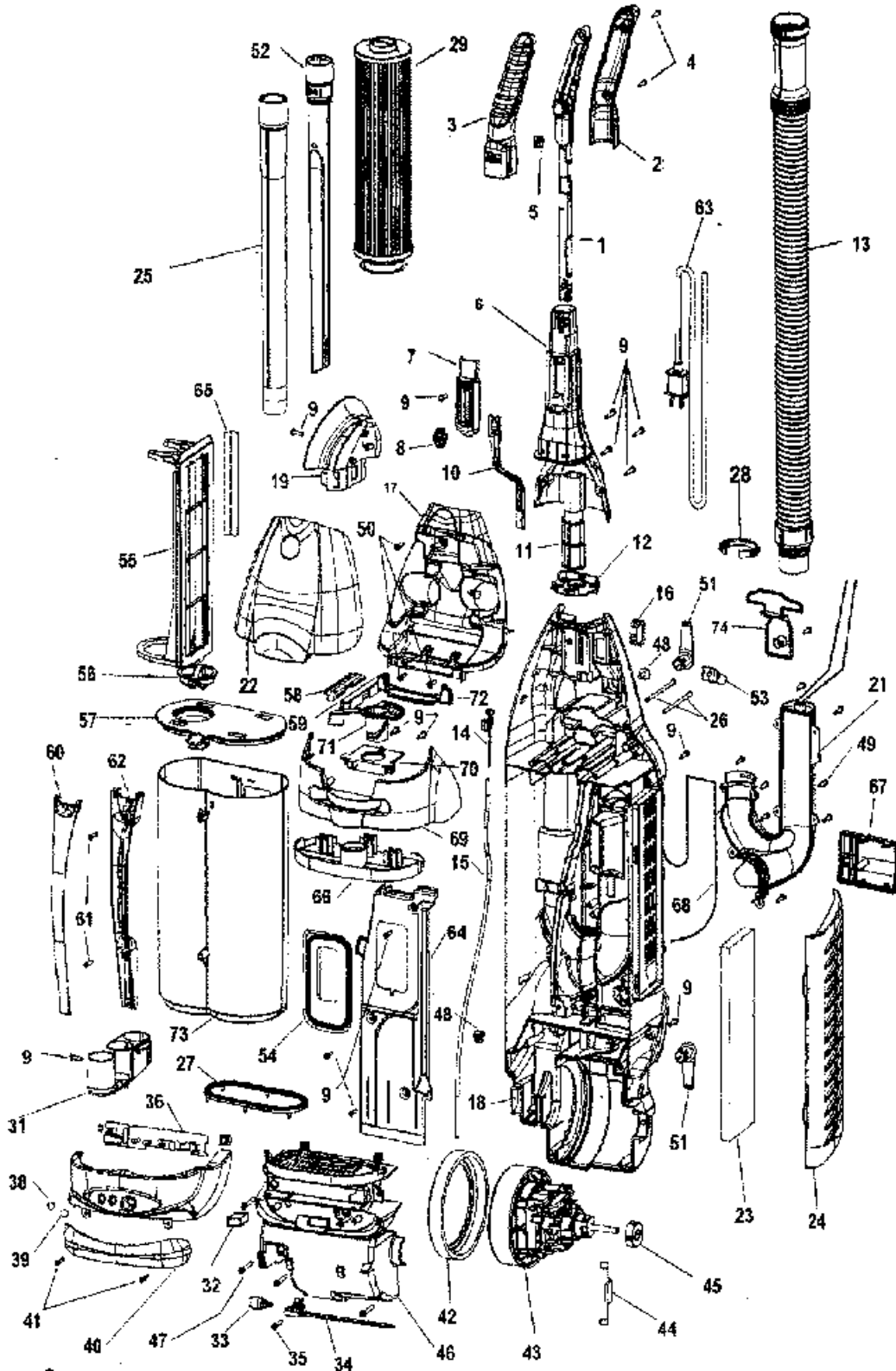
[Find Your HOOVER Vacuum Cleaner Parts - Select From 1455 Models](#)

----- Manual continues below -----



# SELF PROPELLED BAGLESS **WINDTUNNEL™**

## ASSEMBLY SCHEMATIC



U6630-900  
U6634-900  
UH60000  
UH60010



SELF PROPELLED BAGLESS  
**WINDTUNNEL™**

**PART LISTING**

ITEM	PART NUMBER	MODELS TO FIT	PART DESCRIPTION
1	38512001	ALL	UPPER HANDLE GRIP ROD
2	39454068	ALL	HANDLE GRIP - BACK
3	39454084	ALL	HANDLE GRIP - FRONT
4	21447228	ALL	SCREW - SELF TAPPING
5	36142004	U6630900, UH60000, UH60010	DRIVE CONTROL PIN
	36142002	U6634900	DRIVE CONTROL PIN
6	39466110	U6630900, U6634900	UPPER HANDLE - DARK CHARCOAL GRAY
	39466137	UH60000, UH60010	UPPER HANDLE - ALLUMINUM ALLOY
7	37258119	ALL	SWITCH ROD POCKET
8	38421098	U6630900	SWITCH BUTTON - DEEP SAND
	92001082	U6634900, UH60000, UH60010	SWITCH BUTTON - GRAPHITE GRAY
9	21447242	ALL	SCREW - SELF TAPPING
10	38458062	ALL	SWITCH ROD - DARK CHARCOAL GRAY
11	36436014	ALL	HANDLE SLEEVE
12	36923012	ALL	ROD GUIDE - DARK CHARCOAL GRAY
13	43434267	ALL	HOSE ASSEMBLY DELUXE
14	43211019	ALL	CONTROL CABLE - PUSH/PULL
15	66661205	ALL	CONTROL CABLE TUBE
16	28161067	ALL	SWITCH - .025 TERMINAL
17	36433157	ALL	TOOL HOLDER - DARK CHARCOAL GRAY
18	37259010	U6630900, U6634900	DIRT CUP HOUSING - DARK CHARCOAL GRAY
	37259034	UH60000, UH60010	DIRT CUP HOUSING - ALLUMINUM ALLOY
19	36433159	U6630900, U6634900	UPPER WAND/HOSE HOLDER
	36433267	UH60000, UH60010	UPPER WAND/HOSE HOLDER - SHADOW
20		ALL	PART NOT AVAILABLE
21	47823006	ALL	EDF MICRO/DUST ASSEMBLY
22	37257269	ALL	TOOL DOOR - CLEAR
23	40110006	ALL	FINAL FILTER - 2 PACK
24	38769009	U6630900, U6634900	FINAL FILTER GRILL - SMOKE TRANSPARENT
	38769038	UH60000, UH60010	FINAL FILTER GRILL - ALLUMINUM ALLOY
25	38634078	ALL	EXTENSION TUBE - BLACK
26	21447246	ALL	SCREW - SV 3.125"
27	38785017	ALL	EXHAUST SEAL - BLACK
28	36172014	ALL	HOSE RETAINING CLIP - BLACK

U6630-900  
 U6634-900  
 UH60000  
 UH60010



SELF PROPELLED BAGLESS  
**WINDTUNNEL™**

**PART LISTING**

ITEM	PART NUMBER	MODELS TO FIT	PART DESCRIPTION
29	40140201	ALL	CARTRIDGE FILTER
30		ALL	
31	36433158	U6630900, U6634900	LOWER WAND/HOSE HOLDER
	36433266	UH60000, UH60010	LOWER WAND/HOSE HOLDER - SHADOW
32	34131019	ALL	WIRE OPENING PLUG
33	27313101	ALL	LAMP
34	47173028	ALL	WIREHARNES - 1/4" TERMINAL
35	21447072	ALL	SCREW
36	46851034	ALL	EDF CIRCUIT BOARD
37	37246135	U6630900	EDF COVER - ELECTRON BLUE METALLIC
	92001083	U6634900	EDF COVER - TITANIUM GOLD METALLIC
	37246173	UH60000	EDF COVER - ALLUMINUM ALLOY METALLIC
	37246178	UH60010	EDF COVER - GRAPHITE GRAY METALLIC
38		ALL	SNAP IN LENS - GREEN
39	27352030	ALL	SNAP IN LENS - RED
40	39383115	ALL	LENS - CLEAR
41	21447228	ALL	SCREW - SELF TAPPING
42	36322037	ALL	MOTOR MOUNT - LARGE
43	91001205	ALL	MOTOR ASSEMBLY
44	28382093	ALL	THERMAL PROTECTOR
45	36322030	ALL	MOTOR MOUNT - SMALL
46	37196155	U6630900, U6634900	MOTOR COVER - DARK CHARCOAL GRAY
	37196209	UH60000, UH60010	MOTOR COVER - SHADOW GRAY
47	21447230	ALL	SCREW - SELF TAPPING
48	23149001	U6630900, UH60000, UH60010	TAPPING SCREW & WASHER
	21447242	U6634900	SCREW - SELF TAPPING
49	21447266	ALL	SCREW - SELF TAPPING
50	21447072	ALL	SCREW
51	39442048	ALL	CORD WRAP - MAGNESIUM GRAY
52	38617031	ALL	CREVICE TOOL - LONG MAGNESIUM GRAY
53	36215028	ALL	CORD PROTECTOR
54	38783028	ALL	INLET SEAL - BLACK
55	36426069	ALL	PRE-FILTER ASSEMBLY - BLACK
56	38411013	ALL	KNOB - CARTRIDGE FILTER - DEEP SAND
57	37249011	ALL	DIRT CUP LID - DARK CHARCOAL GRAY

U6630-900  
 U6634-900  
 UH60000  
 UH60010



SELF PROPELLED BAGLESS  
**WINDTUNNEL™**

**PART LISTING**

ITEM	PART NUMBER	MODELS TO FIT	PART DESCRIPTION
58	39511004	ALL	LITTER PICKER
59	92001084	ALL	PRE-FILTER BRUSH HOLDER
60	39457021	U6630900	DIRT CUP HANDLE COVER - ELECTRON BLUE
	92001085	U6634900	DIRT CUP HANDLE COVER - TITANIUM GOLD
	39457081	UH60000, UH60010	DIRT CUP HANDLE COVER - BLACK
61	21447043	ALL	SCREW
62	39457022	U6630900, U6634900	DIRT CUP HANDLE BACK - DARK CHARCOAL
	39457082	UH60000, UH60010	DIRT CUP HANDLE BACK - ALLUMINUM ALLOY
63	46383334	ALL	POWER CORD - 35'
64	37259017	U6630900, U6634900	MUFFLER / WIRE COVER
	37259035	UH60000, UH60010	MUFFLER / WIRE COVER - ALLUMINUM ALLOY
65	39512023	ALL	EXPULSION BLADE
66	38567035	U6630900, U6634900	LATCH COVER - ELECTRON BLUE
	38567064	UH60000, UH60010	LATCH COVER - ALLUMINUM ALLOY METALLIC
67	37255015	ALL	REAR MUFFLER COVER
68	38781061	ALL	GASKET - 35"
69	37258145	U6630900, U6634900	LATCH COVER SHROUD - ELECTRON BLUE
	37258220	UH60000	LATCH COVER SHROUD - ALLUMINUM ALLOY
	37258226	UH60010	LATCH COVER SHROUD - GRAPHITE GRAY
70	36155013	ALL	LATCH SLEEVE - DARK CHARCOAL GRAY
71	92001088	ALL	LID LATCH CAM - BLACK
72	37258146	U6630900, U6634900	CAM SLOT CAP - ELECTRON BLUE
	37258219	UH60000, UH60010	CAM SLOT CAP - ALLUMINUM ALLOY METALLIC
73	38775084	ALL	DIRT CUP - SMOKE TRANSPARENT LIGHT
74	37259018	U6630900, U6634900	CABLE COVER - DARK CHARCOAL GRAY
	37259036	UH60000, UH60010	CABLE COVER - ALLUMINUM ALLOY METALLIC
	27618508	ALL	WIRE CONNECTOR
	38614044	ALL	FURNITURE NOZZLE
	43414197	ALL	DUSTING BRUSH ASSEMBLY - BLACK
	40200013	U6630900, UH60000, UH60010	TURBINE HAND TOOL
	49129032	U6634900	TURBINE HAND TOOL

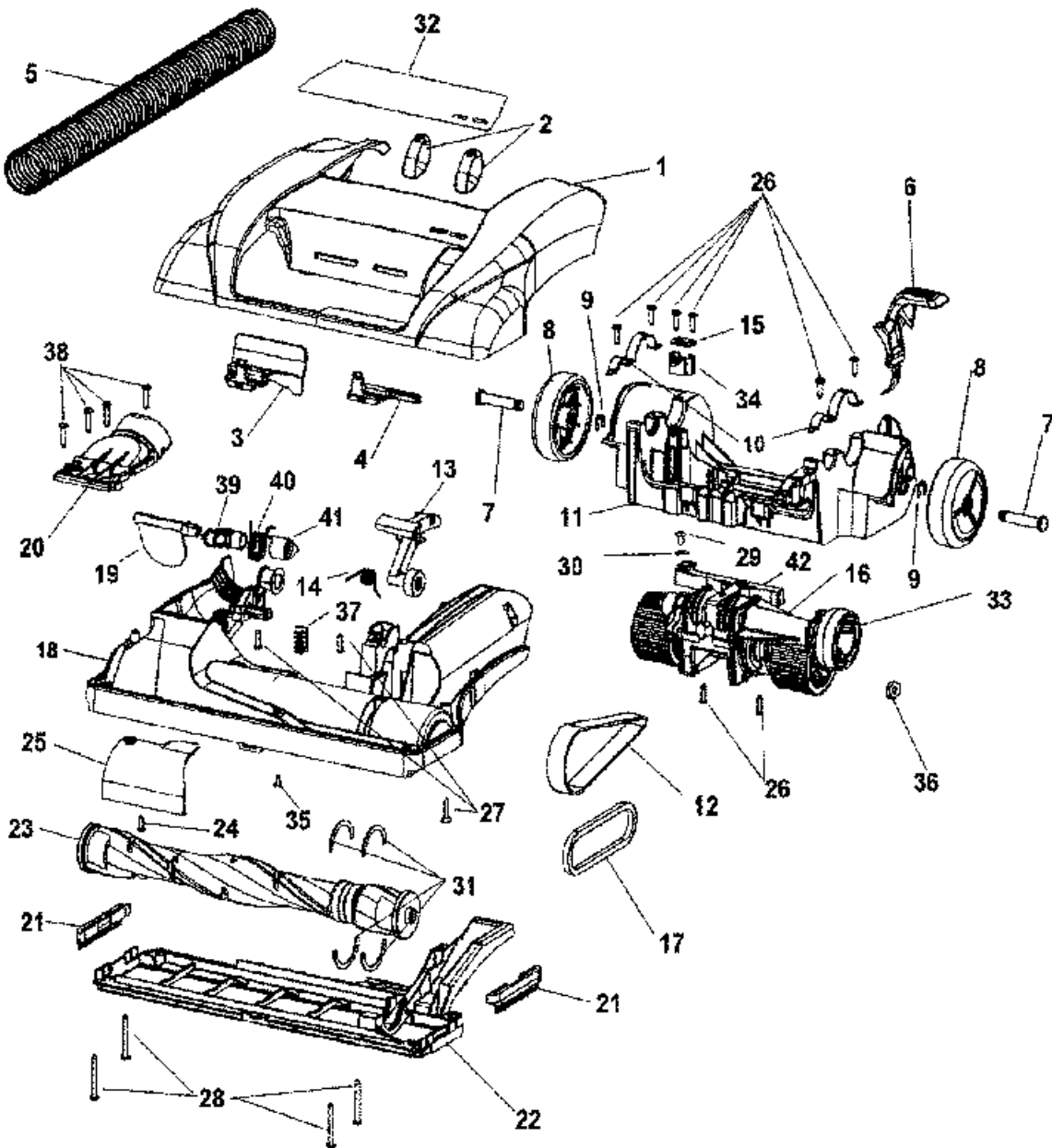
U6630-900  
 U6634-900  
 UH60000  
 UH60010



# SELF PROPELLED BAGLESS **WINDTUNNEL™**

## ASSEMBLY SCHEMATIC

U6630-900  
U6634-900  
UH60000  
UH60010





SELF PROPELLED BAGLESS  
**WINDTUNNEL™**

PART LISTING

ITEM	PART NUMBER	MODELS TO FIT	PART DESCRIPTION
1	92001080	U6630900	HOOD - TITANIUM GOLD METALLIC
	37253365	U6634900	HOOD - ELECTRON BLUE METALLIC
	37253A96	UH60000	HOOD - ALLUMINUM ALLOY METALLIC
	37253B06	UH60010	HOOD - GRAPHITE GRAY METALLIC
2	38421099	ALL	ADJUSTMENT KNOB - DARK CHARCOAL GRAY
3	38563026	ALL	NOZZLE ADJUSTMENT CAM - BLACK
4	36143004	ALL	IDLER ARM LOCK
5	38671022	ALL	LOWER HOSE
6	38434023	ALL	HANDLE RELEASE PEDAL - BLACK
7	32434007	ALL	REAR AXEL
8	38522077	ALL	REAR WHEEL
9	160017--	ALL	LOCK RING
10	36131096	ALL	TRUNNION COVER - ZINC/PHOSPHATE
11	37241164	U6630900, U6634900	MAIN BODY - DARK CHARCOAL GRAY
	37241187	UH60000, UH60010	MAIN BODY - SHADOW GRAY
12	38528035	ALL	FLAT BELT
13	43241004	ALL	IDLER ARM ASSEMBLY <b>ORDER 43241003 AND 51619006</b>
	43241003	ALL	IDLER ARM ASSEMBLY
	51619006	ALL	LABEL - ON/OFF BRUSH ROLL
13	43241006	ALL	IDLER PULLEY & BEARING ASSEMBLY
14	38356014	ALL	TORSION SPRING
15	34125004	ALL	RETAINER - CONTROL CAB POWER DRIVE
16	43124016	ALL	POWER DRIVE ASSEMBLY
17	38528034	ALL	V - BELT
18	37243042	ALL	AGITATOR HOUSING W/FURNITURE GUARD
19	38718013	ALL	VALVE DOOR - BLACK
20	38715017	ALL	VALVE COVER - TRANSPARENT LIGHT GRAY
21	39511004	ALL	LITTER PICKER
22	42245030	ALL	BOTTOM PLATE / NOZZLE GUARD
23	48414160	ALL	AGITATOR / BRUSH ROLL ASSEMBLY
24	21479446	ALL	SCREW - SELF TAPPING
25	37243013	ALL	DUCT COVER NOZZLE - TRANSPARENT GRAY
26	21447242	ALL	SCREW - SELF TAPPING
27	21447228	ALL	SCREW - SELF TAPPING
28	21447121	ALL	SCREW - SELF TAPPING

MODEL NO.

U6630-900

U6634-900

UH60000

UH60010



SELF PROPELLED BAGLESS  
**WINDTUNNEL™**

PART LISTING

ITEM	PART NUMBER	MODELS TO FIT	PART DESCRIPTION
29	21751010	ALL	SCREW
30	36128002	ALL	WASHER
31	38781053	ALL	AGITATOR PULLEY SEAL
32	51438015	U6630900, U6634900	HOOD NAME PLATE
	51438036	UH60000, UH60010	HOOD NAME PLATE
33	38537013	ALL	DRIVE PULLEY
34	36131101	ALL	CONTROL CABLE SUPPORT
35	21447263	ALL	SCREW
36	160031--	ALL	NUT
37	38313037	ALL	NOZZLE SPRING
38	017001FW	ALL	SCREW - SELF TAPPING
39	38719049	ALL	VALVE ARM FRONT - BLACK
40	38358001	ALL	TORSION SPRING - VALVE ARM
41	38719048	ALL	VALVE ARM REAR - BLACK
42	43143046	ALL	ACTUATOR ARM ASSEMBLY

U6630-900

U6634-900

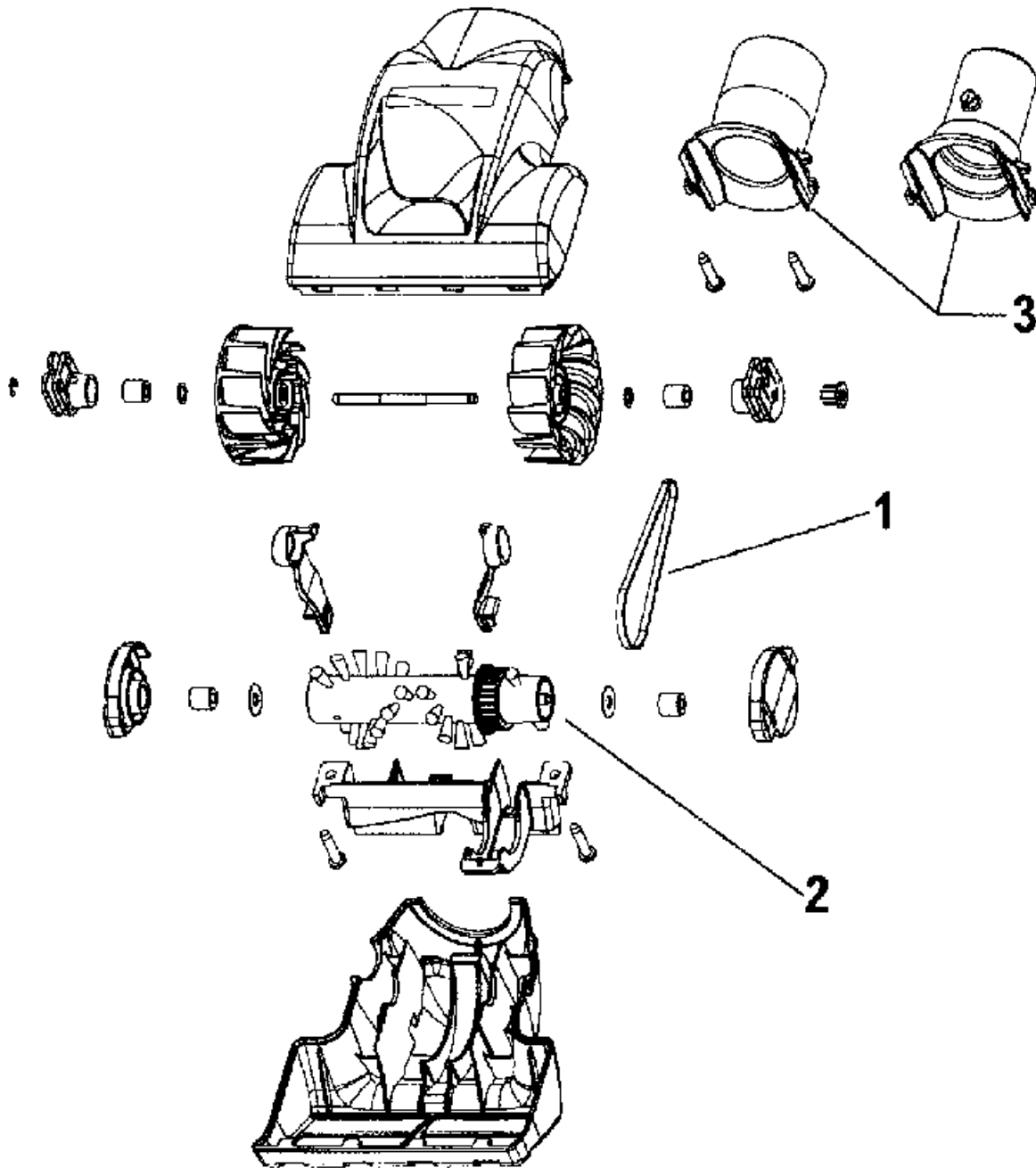
UH60000

UH60010



SELF PROPELLED BAGLESS  
**WINDTUNNEL™**

ASSEMBLY SCHEMATIC



U6630-900  
U6634-900  
UH60000  
UH60010



SELF PROPELLED BAGLESS  
**WINDTUNNEL™**

PART LISTING

ITEM	PART NUMBER	MODELS TO FIT	PART DESCRIPTION
1	38528037	ALL	BELT
2	48414088	ALL	AGITATOR / BRUSH ROLL
3	38632013	ALL	CONNECTOR
	40200013	U6630900, UH60000, UH60010	TURBINE HAND TOOL
	49129032	U6634900	TURBINE HAND TOOL

U6630-900  
U6634-900  
UH60000  
UH60010