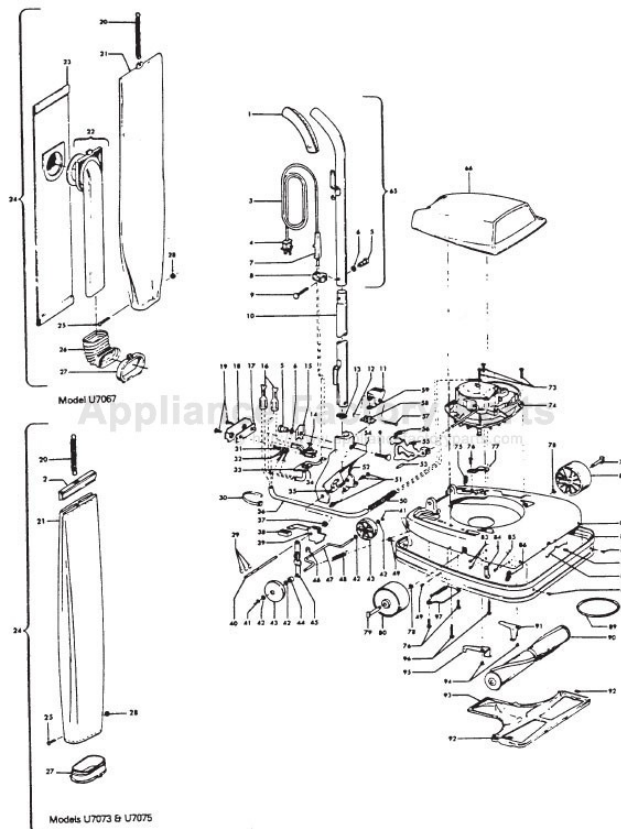


This Owner's Manual is provided and hosted by [Appliance Factory Parts](#).



HOOVER U7067 Owner's Manual

[Shop genuine replacement parts for HOOVER U7067](#)

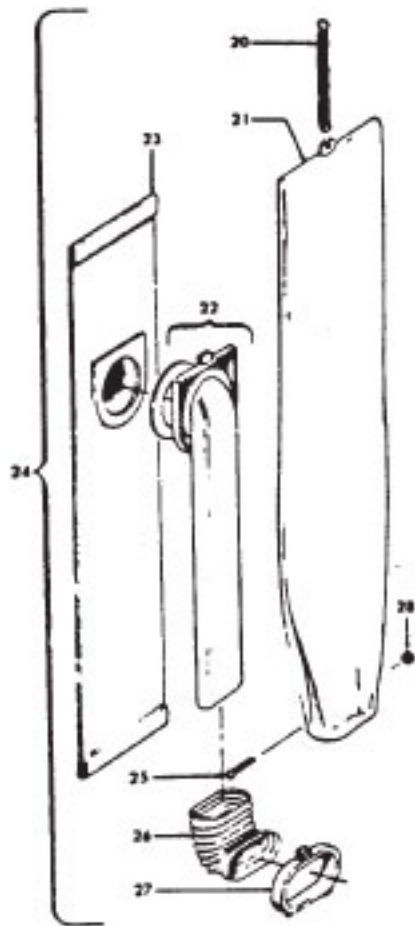


[Find Your HOOVER Vacuum Cleaner Parts - Select From 1456 Models](#)

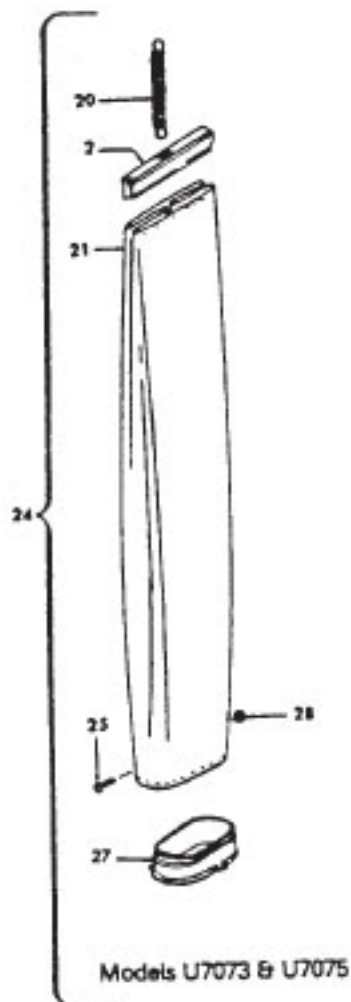
----- Manual continues below part list -----

Available Replacement Parts for HOOVER U7067

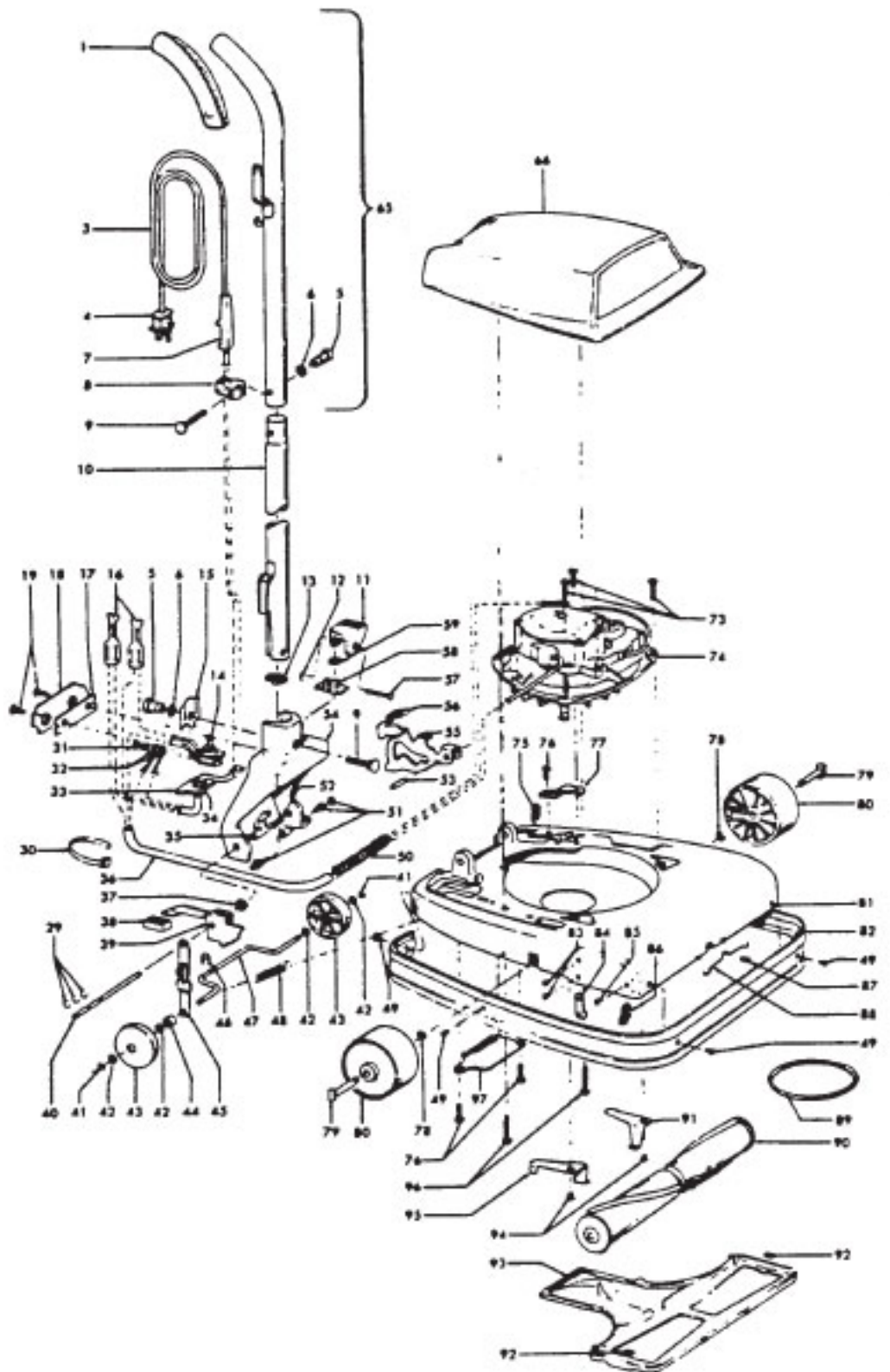
| | |
|----------------------------|------------------------------|
| H-44783 | BELT, ROUND, 1PK |
| H-4010001A | VACUUM BAG OEM HOOVER 3 PACK |
| H-43267002 | AGITATOR BEARING ASM |



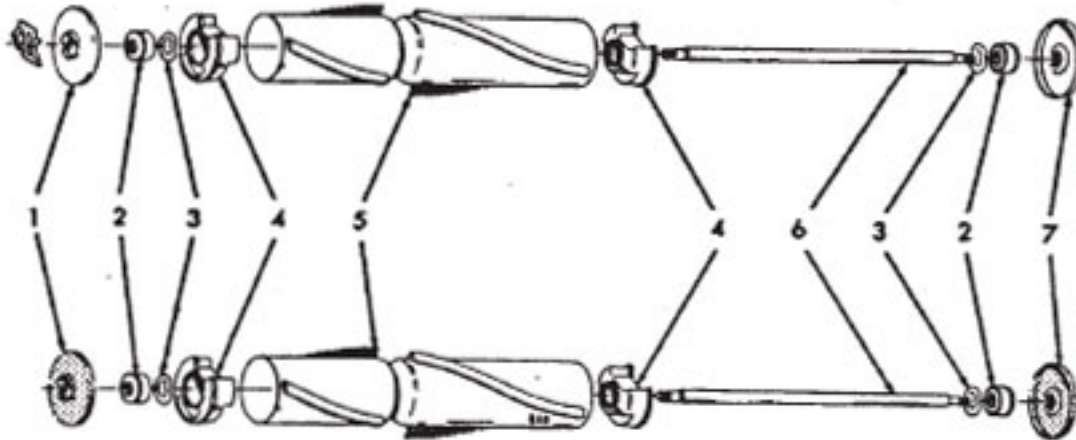
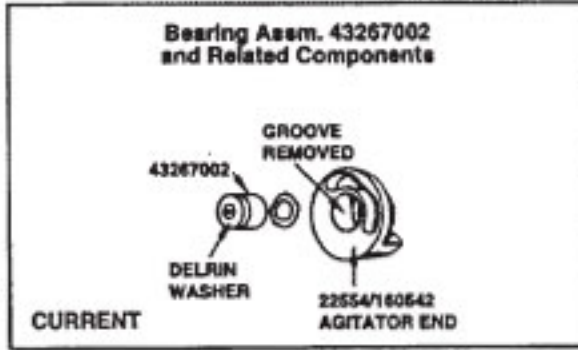
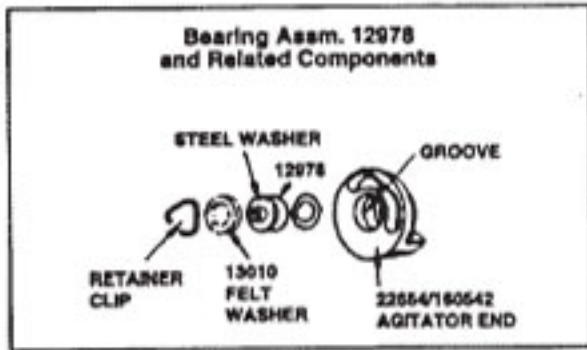
Model U7067



Models U7073 & U7075



| Ref. No. | Part No. | Description | Ref. No. | Part No. | Description |
|----------|----------|---------------------------------------------|--------------------|----------|-------------------------------------|
| 1 | 23458LY | Handle Grip | 45 | 161514 | Cam Follower Assm. |
| 2 | 43362 | Bag Closure Clip & Spring | 46 | 34252005 | Yoke |
| 3 | 46583148 | Attach. Cord - HP | 47 | 33152003 | Rear Wheel Shaft |
| 4 | 25084 | Plug - U7067, U7075 | 48 | 161513 | Spring |
| 5 | 32277008 | Handle Nut (2) | 49 | 32242004 | Rivet - Tubular (6) |
| 6 | 13704 | Washer (2) | 50 | 38313023 | Motor Lead Spring |
| 7 | 36215025 | Cord Protector - HP | 51 | 11735 | Roller Detent Assm. |
| 8 | 34785018 | Cord Clamp - LY | 52 | 48409FW | Bag Flange Clamp Lever Spring |
| 9 | 21631302 | Handle Bolt (2) | 53 | 47450AY | Pivot Pin |
| 10 | 48631109 | Handle - Lower Half - LY | 54 | 41416010 | Bail - AG |
| 11 | 38424003 | Switch Pedal | 55 | 43137047 | Handle. Control Lever - DS |
| 12 | 24735022 | Circlip | 56 | 38426080 | Foot Pad |
| 13 | 37911037 | Handle Plug | 57 | 613802AY | Shaft |
| 14 | 28212017 | Switch | 58 | 35217006 | Mounting Bracket |
| 15 | 35463002 | Handle Retainer Plate | 59 | 12560 | Nut |
| 16 | 48969 | Wire Nut | 65 | 48644022 | Handle - Upper Half - LY |
| 17 | 36215002 | Lead Wire Protector | 66 | 42251325 | Hood - HP |
| 18 | 37954001 | Bail Cover Plate | 73 | 45355 | Screw (3) |
| 19 | 21481273 | Screw - Self Tapping (2) | 74 | 43574193 | Motor - U7067, U7075 |
| 20 | 38336014 | Bag Support Spring | | 43574008 | Motor (220 V) - U7073 - (P - 28) |
| 21 | 43677322 | Outer Bag - Common | 75 | 12559FW | Spring |
| | 43675107 | Bag Assm. HP/HP - U7073, U7075 | 76 | 21767082 | Screw (3) |
| 22 | 43482058 | Top Fill Tube & Seal (Shown) | 77 | 34665007 | Pivot Pin Retainer |
| | 38657004 | Top Fill Tube (Push on Type) | 78 | 13730 | Lock Ring (2) |
| 23 | 4010001A | Throw Away Bag (3 Pk.) - U7067 | 79 | 47457AY | Carrier Wheel Shaft (2) |
| 24 | 43678330 | Outer Bag Comp. (Vinyl) - U7067 | 80 | 34791AG | Carrier Wheel (2) |
| | 43675107 | Outer Bag Comp. - Cloth - HP - U7073, U7075 | 81 | 42242064 | Main Body |
| 25 | 21765159 | Screw - Machine | 82 | 36231036 | Furniture Guard - LY |
| 26 | 38673009 | Bellows - U7067 | 83 | 48422 | Rivet (4) |
| 27 | 41424011 | Bag Flange Assm. | 84 | 34355002 | Agitator Support Plate (2) |
| | 41424012 | Bag Flange & Gasket | 85 | 32243001 | Rivet (2) |
| 28 | 15854EF | Nut | 86 | 47259AY | Agitator Clamp Spring (2) |
| 29 | 13730 | Lock Ring (3) | 87 | 161882 | Rivet |
| 30 | 27479307 | Wire Tie | 88 | 34439 | Bottom Plate Spring |
| 31 | 23187363 | Screw - Sems | 89 | 44783AG | Belt |
| 32 | 27661503 | Ring Tongue Terminal (2) | 90 | 48414003 | Agitator Comp. - Four Brush - U7067 |
| 33 | 34223004 | Mounting Plate | | 41435005 | Agitator Comp. - U7073, U7075 |
| 34 | 39049 | Strain Relief | 91 | 35446005 | Bottom Plate Latch - LH |
| 35 | 19907 | Bag Flange Clamp Lever | 92 | 34111001 | Support Pad (2) |
| 36 | 31727010 | Cord Cover Tubing - AG | 93 | 42246008 | Bottom Plate |
| 37 | 161507 | Washer | 94 | 12456 | Rivet (2) |
| 38 | 38426071 | Foot Pad | 95 | 35446003 | Bottom Plate Latch - RH |
| 39 | 161571JM | Nozzle Adj. Lever | 96 | 21447020 | Screw - Self Tapping (2) |
| 40 | 161509AY | Bail Shaft | 97 | 35434040 | Axle/ Bag Flange Retainer |
| 41 | 17207AZ | Lock Ring (2) | PACKAGING MATERIAL | | |
| 42 | 21312772 | Washer (4) | | 58173039 | Carton - Common |
| 43 | 38521041 | Rear Wheel (2) | | 58343025 | Front Support |
| 44 | 31148004 | Spacer | | 58366012 | Rear Support |
| | | | | 56711004 | Instruction Sheet - U7067 |
| | | | | 56711005 | Owner Manual - U7067 |
| | | | | 56711006 | Instruction Sheet - U7073, U7075 |
| | | | | 56711007 | Owner Manual - U7073, U7075 |



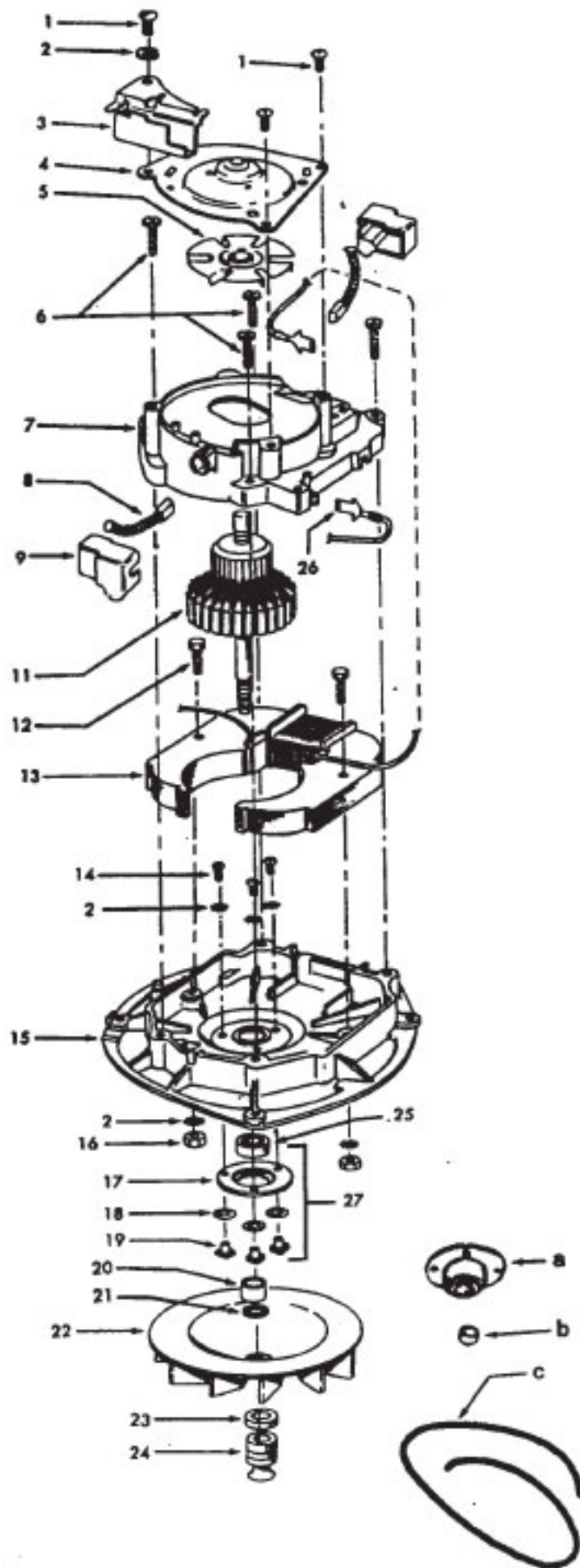
| Ref. No. | Part No. | Description |
|----------|-------------------------------------|-------------------------------------------------------------------------------------------------------------------------------------------------------------------------------------------------------------------------|
| 1 | 49180 36423003 | Thread Guard & Spring (Metal) Thread Guard L.H. (Molded) |
| 2 | 43267002 | Bearing |
| 3 | 21347003 | Thrust Washer |
| 4 | 22554 160542 41435070 | Agitator End (Early Model Standard Performance Cleaners, L.H. Helix) Agitator End (Standard & High Performance Cleaners, R.H. Helix) Agitator End (Use w/two brush agitator Pl. #48414021) |
| 5 | 12998BZ 160646BZ 48445001 | Agitator Brush - 8 mil (Early Model Standard Performance Cleaners, L.H. Helix) Agitator Brush - 8 mil (Standard Performance Cleaners, R.H. Helix) Agitator Brush - 11 mil (High Performance Cleaners, R.H. Helix) |
| 6 | 12981 32724008 | Agitator Shaft (Used w/metal thread guards) Agitator Shaft (Used w/molded thread guards) |
| 7 | 12985AY 36423007 | Thread Guard R.H. (Metal) Thread Guard R.H. (Molded) |

| AGITATOR BELT | |
|---------------|---------------------------------------------------------------|
| 49258AG | Domestic models, Convertible/Decade 80/Heavy Duty Commercials |
| 44783AG | Lightweight Commercials |

| AGITATOR ASSEMBLY | |
|-------------------|---------------------------------------------------------------------|
| 169371MF | Standard Performance, R.H. Helix (Metal Thread Guards) |
| 41435005 | High Performance Cleaners, R.H. Helix (Metal Thread Guards w/Spdng) |
| 48414006 | High Performance Cleaners, R.H. Helix (Metal Thread Guards) |
| 48414007 | Standard Performance, R.H. Helix (Molded Thread Guards) |

| FOUR BRUSH AGITATOR ASSEMBLY | |
|------------------------------|---------------------------------------------------------------------------------------|
| 48414002 | Heavy Duty Commercial (Use 47159 Brush-Long, 47160 Brush-Short & 46875 Sems Fastener) |
| 48414003 | Lightweight Commercial (Use 160646BZ Brush & 36422003 Agitator End) |

| TWO BRUSH W/O BEATER BAR | |
|--------------------------|---------------------------------|
| 48414021 | Agitator (Molded Thread Guards) |



Motor 43574140
2-Speed w/Guide
w/Light Socket

43574136 + Motor 1-Speed

| Ref. No. | Part No. | Description |
|----------|----------|-----------------------|
| 1 | 45533AY | Screw |
| 2 | 14062 | Washer |
| 3 | 41961009 | Indicator Guide |
| 4 | 42934002 | Upper Motor Bearing |
| 5 | 38755004 | Fan |
| 6 | 161535 | Screw |
| 7 | 19857 | Upper Motor Case |
| 8 | 47318012 | Carbon brush |
| 9 | 36315003 | Brush Insulator |
| 11 | 44765085 | Armature |
| 12 | 45118 | Bolt |
| 13 | 45412017 | Field Coil - 2 - Spd. |
| | 45412015 | Field Coil - 1 - Spd. |
| 14 | 21772501 | Screw |
| 15 | 42193006 | Lower Motor Case |
| 16 | 15673 | Nut |
| 17 | 32184003 | Retainer |
| 18 | 19772 | Washer |
| 19 | 45251 | Nut |
| 20 | 31731002 | Spacer |
| 21 | 166563 | Washer |
| 22 | 38755011 | Fan - Poly |
| 23 | 31162004 | Washer - Insulator |
| 24 | 38532009 | Motor Pulley |
| 25 | 24152807 | Bearing |
| 26 | 14320 | Terminal |
| 27 | 43267006 | Bearing Kit |

EARLY MODELS

| | | |
|---|--------|-----------------------|
| A | 19829 | Bearing Kit |
| B | 163059 | Spacer |
| c | 47232 | Gasket - (Lower Case) |

ITEMS NOT ILLUSTRATED

| | |
|----------|---------------------------------------------------------------------------------------------|
| 35276006 | Indicator Guide Spring |
| 40300014 | Armature Spacer/Split Sleeve Kit (For use with Lower Mtr. Brgs. with 4 Attachment Holes) |