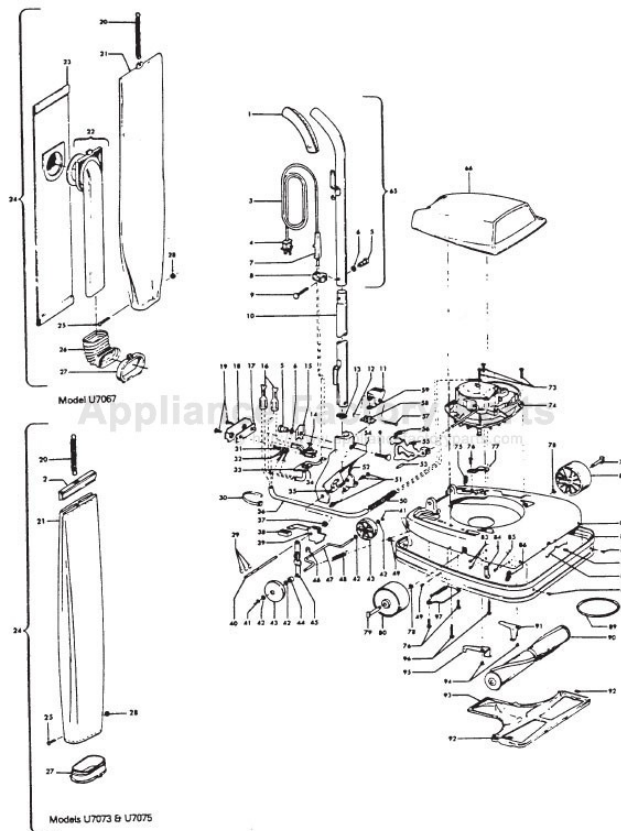


This Owner's Manual is provided and hosted by [Appliance Factory Parts](#).



HOOVER U7073 Owner's Manual

[Shop genuine replacement parts for HOOVER U7073](#)



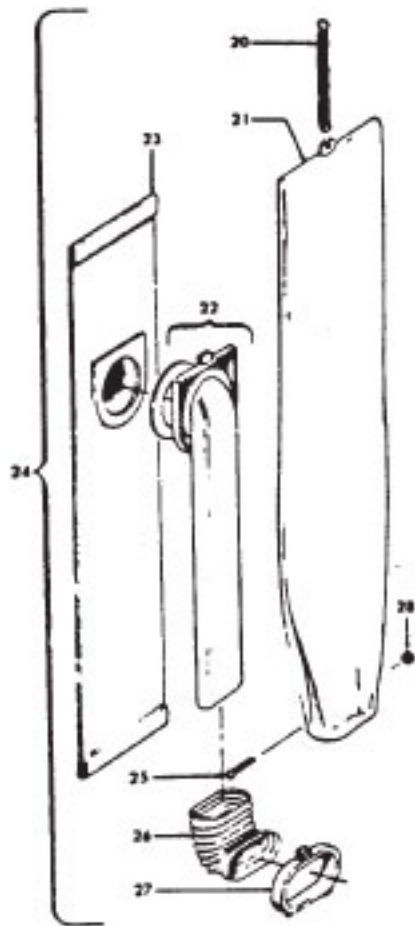
[Find Your HOOVER Vacuum Cleaner Parts - Select From 1456 Models](#)

----- Manual continues below part list -----

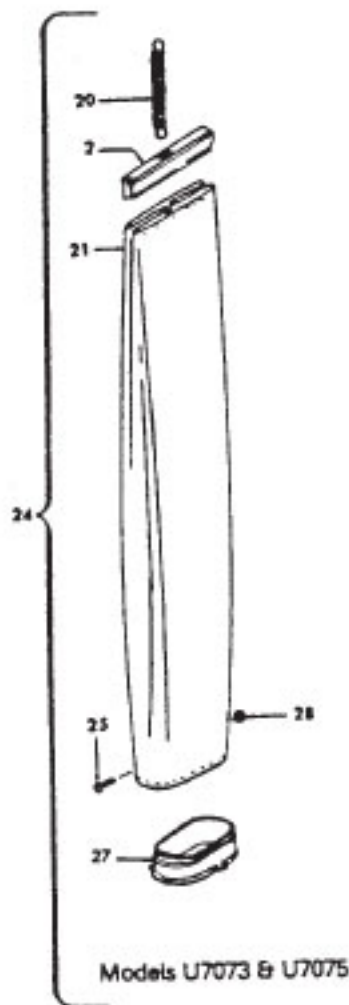
Available Replacement Parts for HOOVER U7073

[H-43267002](#)

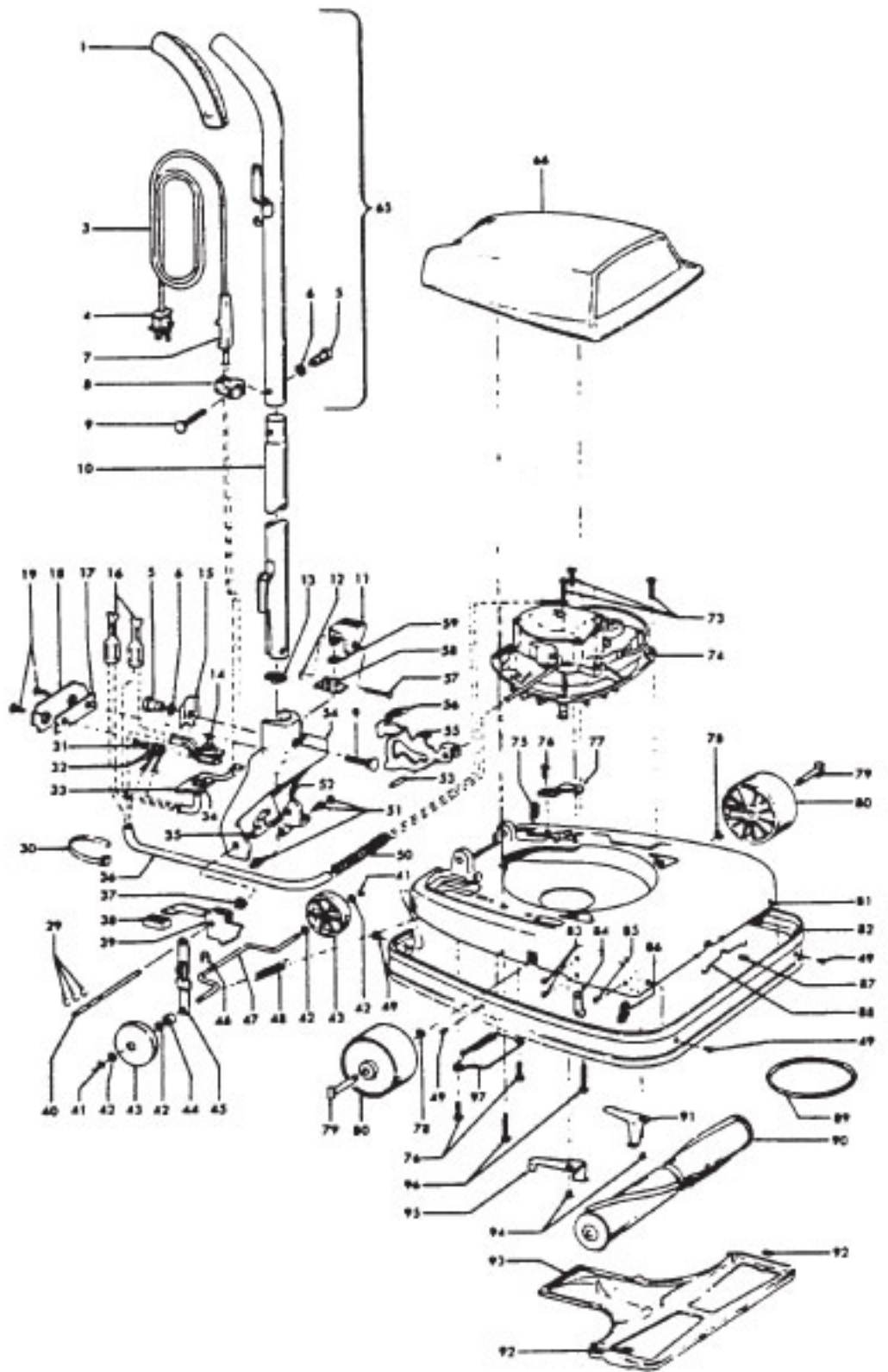
AGITATOR BEARING ASM



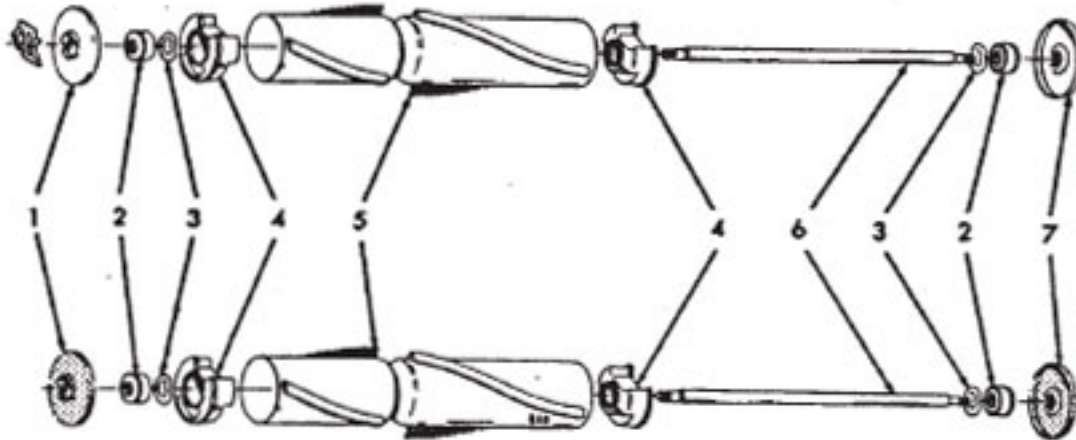
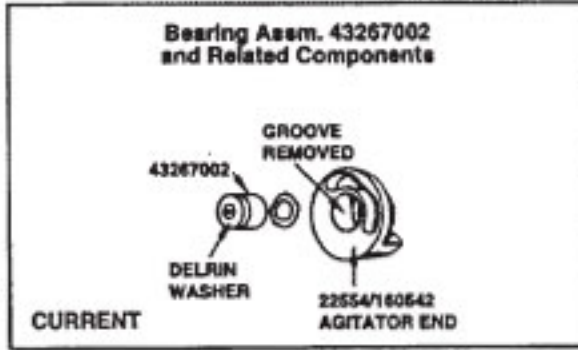
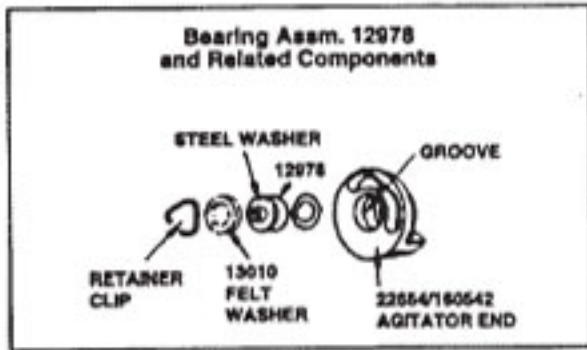
Model U7067



Models U7073 & U7075



Ref. No.	Part No.	Description	Ref. No.	Part No.	Description		
1	23458LY	Handle Grip	45	161514	Cam Follower Assm.		
2	43362	Bag Closure Clip & Spring	46	34252005	Yoke		
3	46583148	Attach. Cord - HP	47	33152003	Rear Wheel Shaft		
4	25084	Plug - U7067, U7075	48	161513	Spring		
5	32277008	Handle Nut (2)	49	32242004	Rivet - Tubular (6)		
6	13704	Washer (2)	50	38313023	Motor Lead Spring		
7	36215025	Cord Protector - HP	51	11735	Roller Detent Assm.		
8	34785018	Cord Clamp - LY	52	48409FW	Bag Flange Clamp Lever Spring		
9	21631302	Handle Bolt (2)	53	47450AY	Pivot Pin		
10	48631109	Handle - Lower Half - LY	54	41416010	Bail - AG		
11	38424003	Switch Pedal	55	43137047	Handle. Control Lever - DS		
12	24735022	Circlip	56	38426080	Foot Pad		
13	37911037	Handle Plug	57	613802AY	Shaft		
14	28212017	Switch	58	35217006	Mounting Bracket		
15	35463002	Handle Retainer Plate	59	12560	Nut		
16	48969	Wire Nut	65	48644022	Handle - Upper Half - LY		
17	36215002	Lead Wire Protector	66	42251325	Hood - HP		
18	37954001	Bail Cover Plate	73	45355	Screw (3)		
19	21481273	Screw - Self Tapping (2)	74	43574193	Motor - U7067, U7075		
20	38336014	Bag Support Spring		43574008	Motor (220 V) - U7073 - (P - 28)		
21	43677322	Outer Bag - Common	75	12559FW	Spring		
	43675107	Bag Assm. HP/HP - U7073, U7075	76	21767082	Screw (3)		
22	43482058	Top Fill Tube & Seal (Shown)	77	34665007	Pivot Pin Retainer		
	38657004	Top Fill Tube (Push on Type)	78	13730	Lock Ring (2)		
23	4010001A	Throw Away Bag (3 Pk.) - U7067	79	47457AY	Carrier Wheel Shaft (2)		
24	43678330	Outer Bag Comp. (Vinyl) - U7067	80	34791AG	Carrier Wheel (2)		
	43675107	Outer Bag Comp. - Cloth - HP - U7073, U7075	81	42242064	Main Body		
25	21765159	Screw - Machine	82	36231036	Furniture Guard - LY		
26	38673009	Bellows - U7067	83	48422	Rivet (4)		
27	41424011	Bag Flange Assm.	84	34355002	Agitator Support Plate (2)		
	41424012	Bag Flange & Gasket	85	32243001	Rivet (2)		
28	15854EF	Nut	86	47259AY	Agitator Clamp Spring (2)		
29	13730	Lock Ring (3)	87	161882	Rivet		
30	27479307	Wire Tie	88	34439	Bottom Plate Spring		
31	23187363	Screw - Sems	89	44783AG	Belt		
32	27661503	Ring Tongue Terminal (2)	90	48414003	Agitator Comp. - Four Brush - U7067		
33	34223004	Mounting Plate		41435005	Agitator Comp. - U7073, U7075		
34	39049	Strain Relief	91	35446005	Bottom Plate Latch - LH		
35	19907	Bag Flange Clamp Lever	92	34111001	Support Pad (2)		
36	31727010	Cord Cover Tubing - AG	93	42246008	Bottom Plate		
37	161507	Washer	94	12456	Rivet (2)		
38	38426071	Foot Pad	95	35446003	Bottom Plate Latch - RH		
39	161571JM	Nozzle Adj. Lever	96	21447020	Screw - Self Tapping (2)		
40	161509AY	Bail Shaft	97	35434040	Axle/ Bag Flange Retainer		
41	17207AZ	Lock Ring (2)	PACKAGING MATERIAL				
42	21312772	Washer (4)					
43	38521041	Rear Wheel (2)					
44	31148004	Spacer					
						58173039	Carton - Common
						58343025	Front Support
						58366012	Rear Support
			56711004	Instruction Sheet - U7067			
			56711005	Owner Manual - U7067			
			56711006	Instruction Sheet - U7073, U7075			
			56711007	Owner Manual - U7073, U7075			



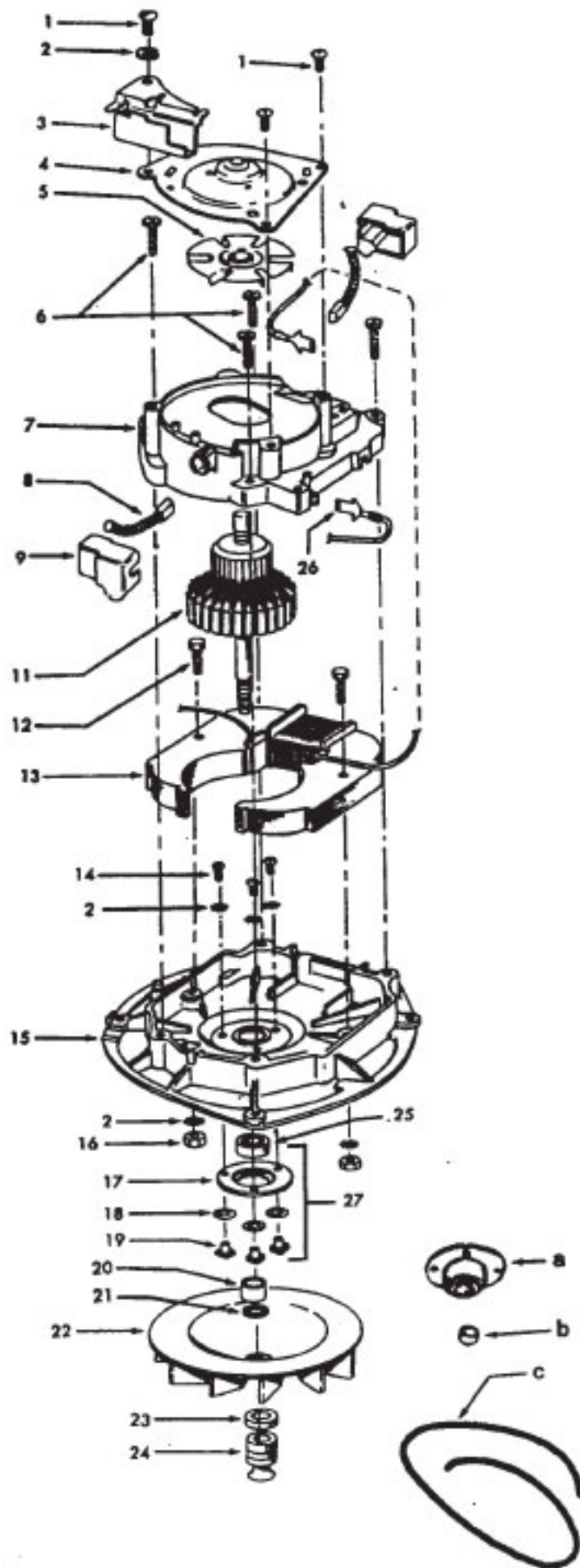
Ref. No.	Part No.	Description
1	49180	Thread Guard & Spring (Metal)
	36423003	Thread Guard L.H. (Molded)
2	43267002	Bearing
3	21347003	Thrust Washer
4	22554	Agitator End (Early Model Standard Performance Cleaners, L.H. Helix)
	160542	Agitator End (Standard & High Performance Cleaners, R.H. Helix)
	41435070	Agitator End (Use w/two brush agitator Pl. #48414021)
5	12998BZ	Agitator Brush - 8 mil (Early Model Standard Performance Cleaners, L.H. Helix)
	160646BZ	Agitator Brush - 8 mil (Standard Performance Cleaners, R.H. Helix)
	48445001	Agitator Brush - 11 mil (High Performance Cleaners, R.H. Helix)
6	12981	Agitator Shaft (Used w/metal thread guards)
	32724008	Agitator Shaft (Used w/molded thread guards)
7	12985AY	Thread Guard R.H. (Metal)
	36423007	Thread Guard R.H. (Molded)

AGITATOR BELT	
49258AG	Domestic models, Convertible/Decade 80/Heavy Duty Commercial
44783AG	Lightweight Commercial

AGITATOR ASSEMBLY	
169371MF	Standard Performance, R.H. Helix (Metal Thread Guards)
41435005	High Performance Cleaners, R.H. Helix (Metal Thread Guards w/Spdng)
48414006	High Performance Cleaners, R.H. Helix (Metal Thread Guards)
48414007	Standard Performance, R.H. Helix (Molded Thread Guards)

FOUR BRUSH AGITATOR ASSEMBLY	
48414002	Heavy Duty Commercial (Use 47159 Brush-Long, 47160 Brush-Short & 46875 Sems Fastener)
48414003	Lightweight Commercial (Use 160646BZ Brush & 36422003 Agitator End)

TWO BRUSH W/O BEATER BAR	
48414021	Agitator (Molded Thread Guards)



Motor 43574140
2-Speed w/Guide
w/Light Socket

43574136 + Motor 1 -Speed

Ref. No.	Part No.	Description
1	45533AY	Screw
2	14062	Washer
3	41961009	Indicator Guide
4	42934002	Upper Motor Bearing
5	38755004	Fan
6	161535	Screw
7	19857	Upper Motor Case
8	47318012	Carbon brush
9	36315003	Brush Insulator
11	44765085	Armature
12	45118	Bolt
13	45412017	Field Coil - 2 - Spd.
	45412015	Field Coil - 1 - Spd.
14	21772501	Screw
15	42193006	Lower Motor Case
16	15673	Nut
17	32184003	Retainer
18	19772	Washer
19	45251	Nut
20	31731002	Spacer
21	166563	Washer
22	38755011	Fan - Poly
23	31162004	Washer - Insulator
24	38532009	Motor Pulley
25	24152807	Bearing
26	14320	Terminal
27	43267006	Bearing Kit

EARLY MODELS

A	19829	Bearing Kit
B	163059	Spacer
c	47232	Gasket - (Lower Case)

ITEMS NOT ILLUSTRATED

35276006	Indicator Guide Spring
40300014	Armature Spacer/Split Sleeve Kit (For use with Lower Mtr. Brgs. with 4 Attachment Holes)