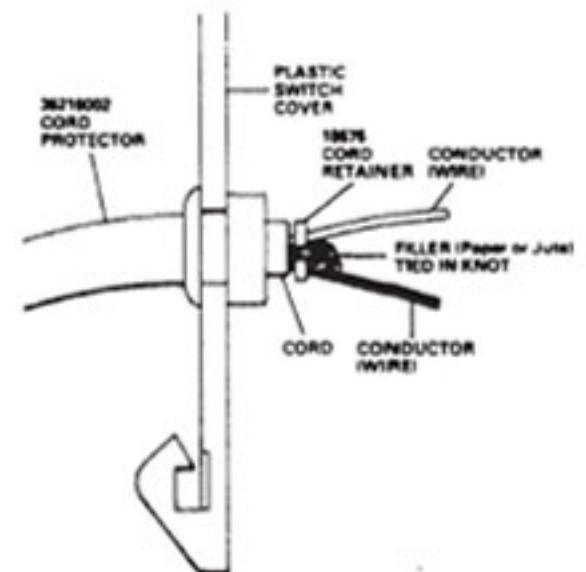
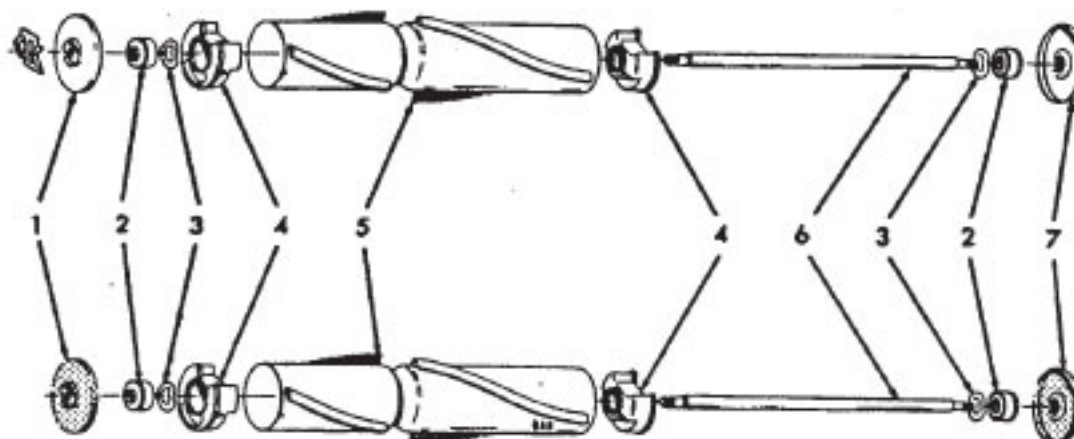
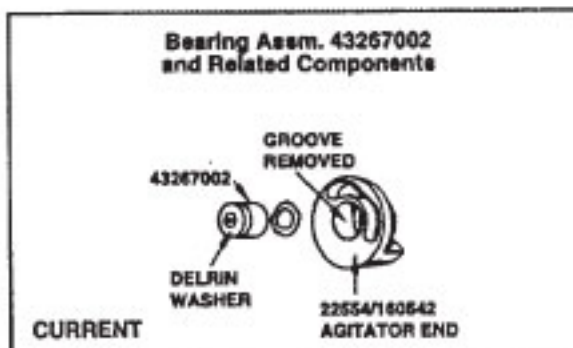
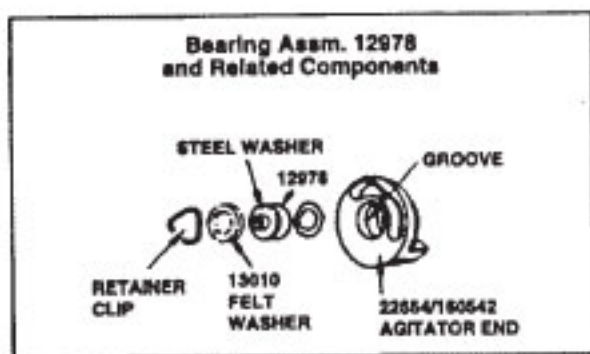


| Ref. No. | Part No. | Description |
|----------|----------|---------------------------|
| 1 | 46323122 | Attachment Cord - HP - 50 |
| 2 | 21465314 | Screw |
| 3 | 38421012 | Switch Button - AG |
| 4 | 37258110 | Switch Cover - AG |
| 5 | 23458LY | Handle Grip |
| 6 | 281770KD | Switch |
| 7 | 27666702 | Terminal |
| 8 | 37214070 | Switch Case |
| 9 | 48969 | Wire Nut |
| 10 | 34253010 | Retainer |
| 11 | 36216002 | Cord Protector |
| 12 | 39441016 | Cord Clip - AG |
| 13 | 21256094 | Rivet |
| 14 | 48644040 | Upper Handle - LY |
| 15 | 32277021 | Handle Nut |
| 16 | 21631301 | Handle Bolt |
| 17 | 13704 | Washer |
| 18 | 36913007 | Insulator |
| 19 | 47155005 | Connector Cord |
| 20 | 46321033 | Connector Cord |
| 21 | 32284018 | Lower Handle - AX |
| 22 | 38336014 | Support Spring |
| 23 | 43362 | Bag Clip & Spring |
| 24 | 43675107 | Bag Assm. HP/HP |
| 25 | 21765159 | Screw |
| 26 | 15854EF | Nut |
| 28 | 41424011 | Bag Flange & Gasket |
| 29 | 38426063 | Foot Pad - DS |
| 30 | 47454 | Gasket |
| 34 | 21481273 | Screw |
| 36 | 37954001 | Cover Plate - LY |
| 37 | 35463011 | Retainer Plate |
| 38 | 31728022 | Tubing - AG |
| 39 | 41416038 | Bail - AG |
| 40 | 43137047 | Handle Control Lever - DS |
| 41 | 38426080 | Foot Pad |
| 42 | 13730 | Lock Ring |
| 43 | 161509AY | Bail Shaft |
| 44 | 161571JM | Adj. Lever |
| 45 | 161507 | Washer |
| 46 | 19907 | Bag Flange Lever |
| 47 | 48409FW | Spring |
| 48 | 11735 | Roller Detent |
| 49 | 47450AY | Pivot Pin |
| 52 | 17207AZ | Lock Ring |
| 53 | 38521041 | Rear Wheel |
| 54 | 21312772 | Washer |
| 55 | 31148004 | Spacer |
| 56 | 161514 | Cam Follower |
| 57 | 33152003 | Rear Wheel Shaft |
| 58 | 34252005 | Yoke |
| 59 | 161513 | Spring |
| 60 | 42251325 | Hood - HP |
| 61 | 45355 | Screw |
| 62 | 43574193 | Motor |
| 63 | 14279 | Screw |
| 64 | 35437010 | Baffle |
| 65 | 34665007 | Retainer |
| 67 | 32242004 | Rivet |
| 69 | 21447020 | Screw |

| Ref. No. | Part No. | Description |
|----------|----------|--------------------------------------------------------------------------------------------------------------------------------------------------------|
| 70 | 34665007 | Retainer |
| 71 | 12559FW | Spring |
| 72 | 35434040 | Axle/Flange Retainer |
| 73 | 21767082 | Screw |
| 74 | 47457AY | Wheel Shaft |
| 76 | 34791AG | Carrier Wheel |
| 77 | 13730 | Lock Ring |
| 78 | 48422 | Rivet |
| 79 | 34355002 | Support Plate |
| 80 | 35446005 | Bottom Plate Latch - LH |
| 81 | 35446003 | Bottom Plate Latch - RH |
| 82 | 12456 | Rivet |
| 83 | 42242064 | Main Body |
| 84 | 47259AY | Agitator Clamp |
| 85 | 32243001 | Rivet |
| 86 | 161882 | Rivet |
| 87 | 34439 | Bottom Plate Spring |
| 88 | 41435005 | Agitator - 2B - U7077 |
| | 48414003 | Agitator - 4B - U7079 |
| 89 | 44783AG | Belt |
| 90 | 34111001 | Support Pad |
| 91 | 42246008 | Bottom Plate |
| 92 | 36231036 | Furniture Guard - LY |
| 94 | 48643040 | Handle Comp. - LY |
| 95 | 18676 | Cord Retainer (Used w/Cord Protector 36216002. Cord is held into the Cord Protector by tying the filler in the cord over the Cord Protector as shown.) |
| 96 | 43675107 | Cloth Bag Comp. - HP |
| | 58173202 | Carton - U7077 |
| | 58173201 | Carton - U7079 |
| | 58343025 | Front Support |
| | 58366012 | Rear Support |





| Ref. No. | Part No. | Description |
|----------|-----------------------------------------|-------------------------------------------------------------------------------------------------------------------------------------------------------------------------------------------------------------------------|
| 1 | 49180 36423003 | Thread Guard & Spring (Metal) Thread Guard L.H. (Molded) |
| 2 | 43267002 | Bearing |
| 3 | 21347003 | Thrust Washer |
| 4 | 22554 160542 41435070 | Agitator End (Early Model Standard Performance Cleaners, L.H. Helix) Agitator End (Standard & High Performance Cleaners, R.H. Helix) Agitator End (Use w/two brush agitator Pt. #48414021) |
| 5 | 12998BZ 160646BZ 48445001 | Agitator Brush - 8 mil (Early Model Standard Performance Cleaners, L.H. Helix) Agitator Brush - 8 mil (Standard Performance Cleaners, R.H. Helix) Agitator Brush - 11 mil (High Performance Cleaners, R.H. Helix) |
| 6 | 12981 32724008 | Agitator Shaft (Used w/metal thread guards) Agitator Shaft (Used w/molded thread guards) |
| 7 | 12985AY 36423007 | Thread Guard R.H. (Metal) Thread Guard R.H. (Molded) |

AGITATOR BELT

| | |
|---------|---------------------------------------------------------------|
| 49258AG | Domestic models, Convertible/Decade 80/Heavy Duty Commercials |
| 44783AG | Lightweight Commercials |

AGITATOR ASSEMBLY

| | |
|----------|---------------------------------------------------------------------|
| 169371MF | Standard Performance, R.H. Helix (Metal Thread Guards) |
| 41435005 | High Performance Cleaners, R.H. Helix (Metal Thread Guards w/Spdng) |
| 48414006 | High Performance Cleaners, R.H. Helix (Metal Thread Guards) |
| 48414007 | Standard Performance, R.H. Helix (Molded Thread Guards) |

FOUR BRUSH AGITATOR ASSEMBLY

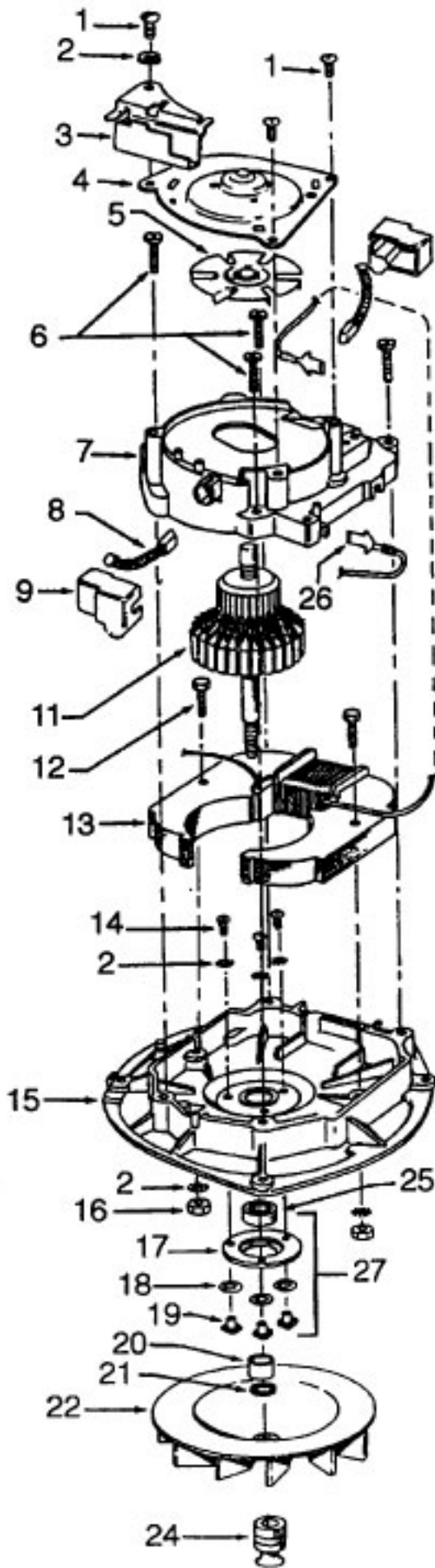
| | |
|----------|---------------------------------------------------------------------------------------|
| 48414002 | Heavy Duty Commercial (Use 47159 Brush-Long, 47160 Brush-Short & 46875 Sems Fastener) |
| 48414003 | Lightweight Commercial (Use 160646BZ Brush & 36422003 Agitator End) |

TWO BRUSH W/O BEATER BAR

| | |
|----------|---------------------------------|
| 48414021 | Agitator (Molded Thread Guards) |
|----------|---------------------------------|

Motor

**Models C1065, C1067, C1069, C1085, C1401
C1405, C1425, C1429, U7021, U7063, U7077, U7079**



**Motor #43574192
1-Speed w/ Guide**

**Motor #43574193
1-Speed w/o Guide**

| Ref. No. | Part No. | Description |
|----------|----------|--------------------|
| 1 | 45533AY | Screw |
| 2 | 14062 | Washer |
| 3 | 41961009 | Indicator Guide |
| 4 | 42934002 | Upper Bearing |
| 5 | 38755004 | Vent Fan |
| 6 | 161535 | Screw |
| 7 | 19857 | Upper Motor Casing |
| 8 | 47318012 | Carbon Brush |
| 9 | 36315003 | Brush Insulator |
| 11 | 44768051 | Armature |
| 12 | 45118 | Bolt |
| 13 | 45412015 | Field Coil |
| 14 | 21772501 | Screw |
| 15 | 42193006 | Lower Motor Case |
| 16 | 15673 | Nut |
| 17 | 32184003 | Retainer |
| 18 | 19772 | Washer |
| 19 | 45251 | Nut |
| 20 | 31731002 | Spacer |
| 21 | 166563 | Washer |
| 22 | 38755011 | Fan - Poly |
| 24 | 43251003 | Motor Pulley |
| 25 | 24152807 | Bearing |
| 26 | 14320 | Terminal |
| 27 | 43267006 | Bearing Kit |

ITEMS NOT ILLUSTRATED

| | |
|----------|------------------------|
| 35276006 | Indicator Guide Spring |
|----------|------------------------|