

Ref. No.	Part No.	Description	Ref. No.	Part No.	Description
1	39454060	Handle Grip	50	43574106	Motor - 6.5 (P. 161)
2	39442017	Cord Hook - AG	51	36171030	Clamp
3	21479254	Screw	52	163055	Terminal
4	46583148	Attach. Cord - AAW - 50	53	38671008	Bellows
5	36215025	Cord Protector - AAW	54	21652005	Hex Nut (2)
6	36172040	Cord Clamp	55	21852158	Nut
7	13704	Washer	56	36321002	Mounting Bracket
8			57	32724010	Sandwich Mount
9	21765140	Screw	58	17001FW	Screw
10	21631301	Handle Bolt	59	38528036	Belt
11	34797008	Clamp Band	60	43256002	Pulley
12	48631149	Handle Assembly (Inc. item 6, 10, 25)	61	31158008	Brass Washer
	39467069	Handle - Only - AX	62	43256007	Pulley Arm
13	21831024	Handle Bolt	63	36321006	Support Bracket
15	38335008	Spring	64	13730	Lock Ring
16	38426030	Foot Pad - AG	65	31534001	Shaft
17	43151006	Handle Control Lever (Inc. item 16)	66	38671005	Duct Boot
18	21447003	Screw	67	34253013	Duct Gasket
19	32215002	Shaft	68	41119008	Cap Lock - LY
20	35214009	Lever Support	69	34141005	Motor Cushion
22	41416022	Bail - AX	70	41211004	Furniture Guard - AG - U7069-080
24	36172015	Cord Retainer		36231153	Furniture Guard - BU - C1800
25	32277008	Handle Nut	71	37241116	Main Body
26	32512001	Rear Axle	72	38528013	V-Belt
27	163110	Washer	73	38522034	Wheel - Front
28	162143	Bearing	74	21312754	Washer
29	38522036	Rear Wheel - AG	75	32543005	Front Axle
30	160017	Lock Ring	76	34122019	Bottom Plate Duct Seal
31	36231084	Furn. Guard - AG - Short - U7069-080	77	37245066	Bottom Plate
	36231154	Furniture Guard - BU - Short - C1800	78	48416035	Agitator (P. 157)
32	32563009	Bail Shaft	79	21447215	Screw
33	42256106	Exhaust Flange	80	38381005	Spring
36	36216008	Cord Protector	81	36436005	Adjustment Cap - AG
37	27478611	Strain Relief	82	35121001	Access Door
38	37257074	Cap - LY - U7069-080	83	37241116	Main Body
	37257282	Cap - AFA - C1800	84	15854EF	Nut
39	38657020	Air Duct	87	31164004	Motor Cushion
40	162961	Insulating Pod			
41	28212009	Push Switch			
42	27479307	Lead Wire Tie			
43	38426047	Switch Pedal - AG			
44	36222017	Wear Strip - RH - U7069-080			
	36222021	Wear Strip - RH - AG - C1800			
45	21364102	Speed Nut			
46	<b>Note: All Hoods include items 44, 45, 49</b>				
	37252016	Hood - AAW - U7069-080			
	37252024	Hood - AG - C1800			
47	38783005	Gasket			
48	52115108	Nameplate - U7069-080			
	51353002	Nameplate - C1800			
49	36222012	Wear Strip - LH - U7069-080			
	36222014	Wear Strip - LH - C1800			

PACKAGING MATERIAL

56711051	Assm. Inst. Sheet - U7069-080
56711147	Assm. Inst. Sheet - C1800
56711052	Operating Inst. Folder - U7069-080
56711143	Operating Inst. Folder - C1800
58185144	Carton - U7069-080
58152117	Carton - C1800
Not available	Front Top Support
Not available	Rear Top Support
Not available	Rear Support

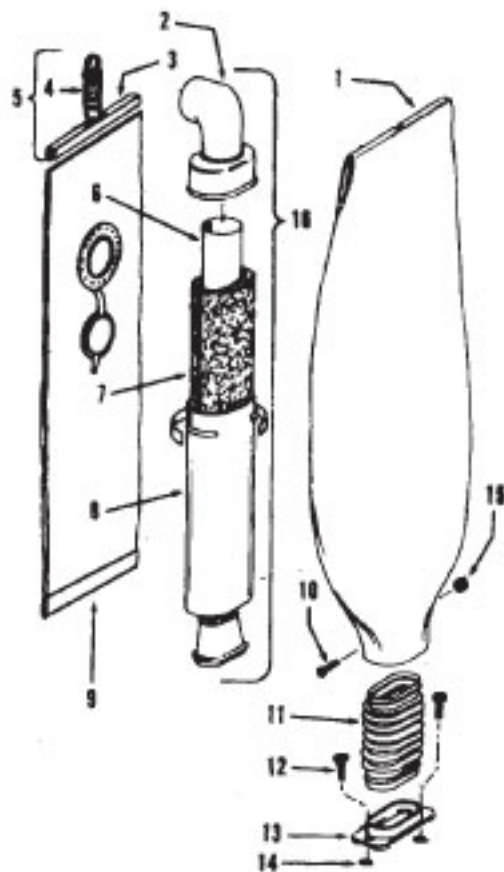
ITEMS NOT ILLUSTRATED

37257086	Intake Duct (Duct on top of motor)
34132019	Motor Cushion (Mounts to item 82)
51638061	Object Cleanout Label
51664023	Lens Label

CLOTH BAG ASSEMBLY / DUST CUP ASSEMBLY P. 158

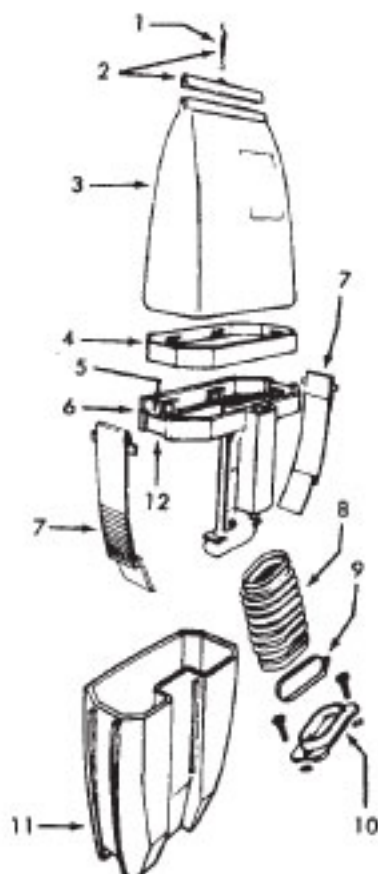


## Conquest Cleaner



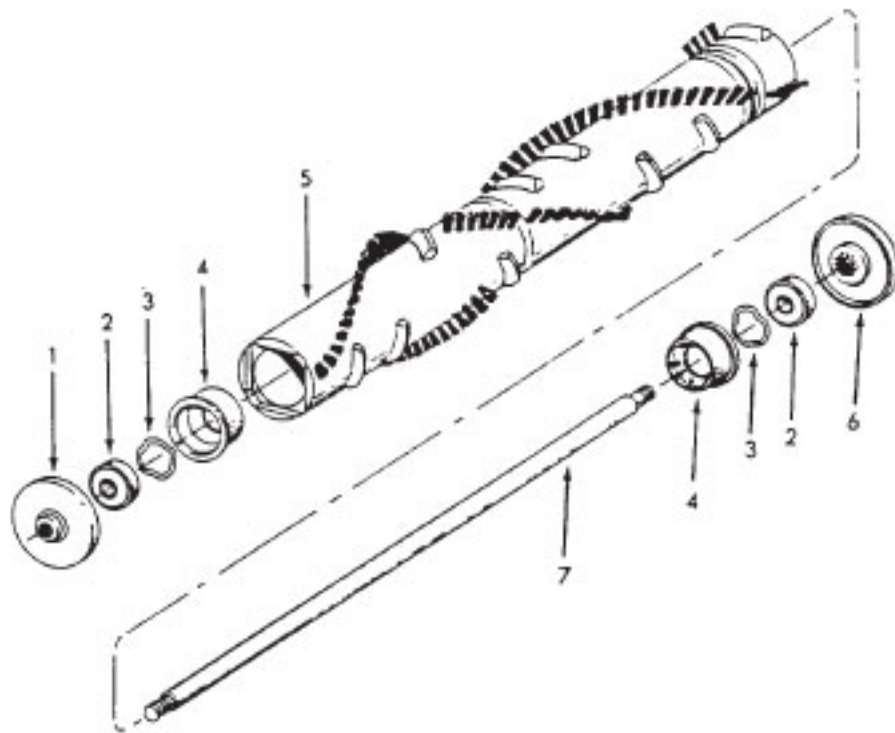
### Cloth Bag Assm. 40201060 (Warehouse)

Ref. No.	Part No.	Description
	43678060	Cloth Bag Assm. AG (Inc. items 1-16)
1	43674055	Outer Cloth Bag - AG
2	38657012	Top Fill Tube
3	36425026	Bag Closure Clip - AG
4	38336019	Spring
5	41128016	Bag Spring/Clip Assm.
6	31746020	Liner
7	34133005	Foam Muffler
8	37257083	Housing
9	43667037	Inner Cloth Bag - Early Style
	43667054	Inner Cloth Bag - Late Style with clip on bottom (pictured)
10	17206	Screw
11	38673010	Bellows
12	36112002	Screw
13	36425005	Bag Flange
14	13759	Lock Ring
15	15854EF	Nut
16	42256012	Muller Assm.
	4010001A	Paper Bag - (3 Pk.) (Optional)
	4010100A	Paper Bag - (3 Pk.) Allergen Filtration (Optional)



### Dust Cup Kit 58642015 (Warehouse)

Ref. No.	Part No.	Description
1	38336019	Spring
2	41128016	Bag Spring/Clip Assm.
3	43667040	Cloth Bag - Orange
	43667056	Cloth Bag - Black
4	35173001	Bag Expander
5	34112015	Seal
6	41427012	Cup Support & Bellows - LY
7	36155011	Latch - AG
8	38673001	Bellows - AG
9	49044	Clamp
	17206	Screw
	15854EF	Nut
10	41424018	Bag Flange
11	38775001	Dust Cup
12	34123020	Seal



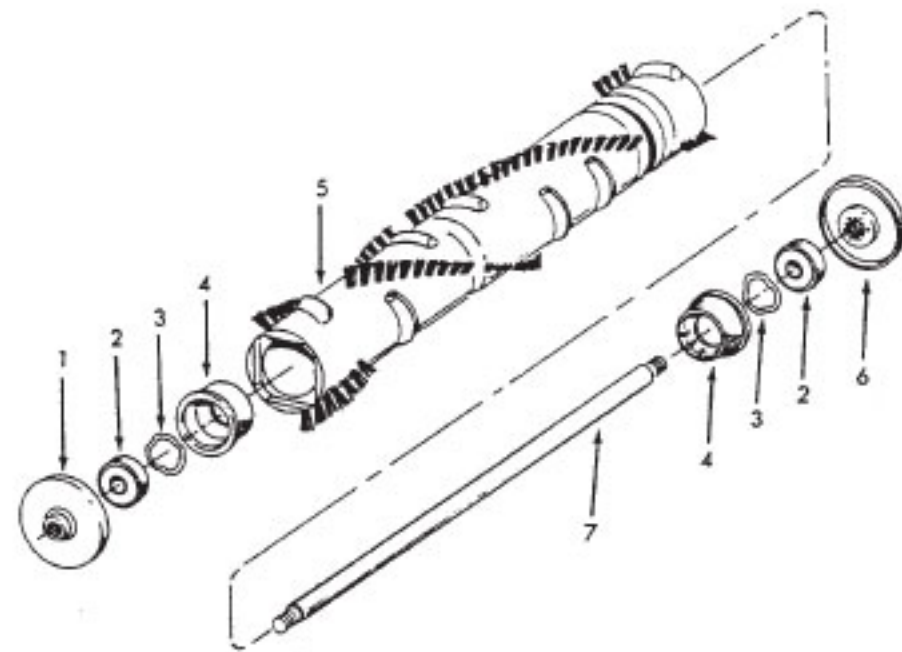
Ref. Part  
No. No. Description

**Agitator 48416036 - 18"**

1	41435066	Thread Guard
2	24152807	Bearing
3	21345113	Wave Spring Washer
4	36422004	AgitatorEnd
5	48416017	Agitator Body w/Ends
6	41435061	Thread Guard
7	32873004	Agitator Shaft

Ref. Part  
No. No. Description

**Agitator 48416035 - 14"**



1	41435066	Thread Guard
2	24152807	Bearing
3	21345113	Wave Spring Washer
4	36422004	AgitatorEnd
5	48416013	Agitator Body w/Ends
6	41435061	Thread Guard
7	32873007	Agitator Shaft

**Conquest Cleaner - Motor- 43574106 (6.5 & 7.0 Amp) + 43576059 (5.2 Amp)**

Ref. No.	Part No.	Description	Ref. No.	Part No.	Description
1	36128003	Lock Washer	15	21345115	Washer
2	33426001	Nut	16	37257086	Air Intake Duct
3	21447072	Screw	17	21447041	Screw
4	38736025	Fan Chamber Cover	18	47315010	Carbon Brush
5	38755012	Fan	19	47318008	Brush Carrier Assm.
6	21641557	Nut	20	21479302	Screw
7	43588018	Fan Chamber	21	38353004	Spring
8	32724015	Sandwich Mount	22	21338006	Lock Washer
9	12854	Spring	23	37191090	Motor Housing
10	24152807	Bearing	24	21563061	Screw
11	24198001	Star Ring	25	12503EF	Rivet
12	12025	Retainer	26	166563	Washer
13	45311042	Field Coil ( 5.2 Amp) use 45311056	27	45517	Lead Wire Holder
	45311056	Field Coil (6.0 & 7.0 Amp)			
14	44765184	Armature (5.2 Amp)			
	44765187	Armature (6.0 & 7.0 Amp)			

**(6.5 & 7.0 Amp)**

(Yellow Sleeve on Armature)

