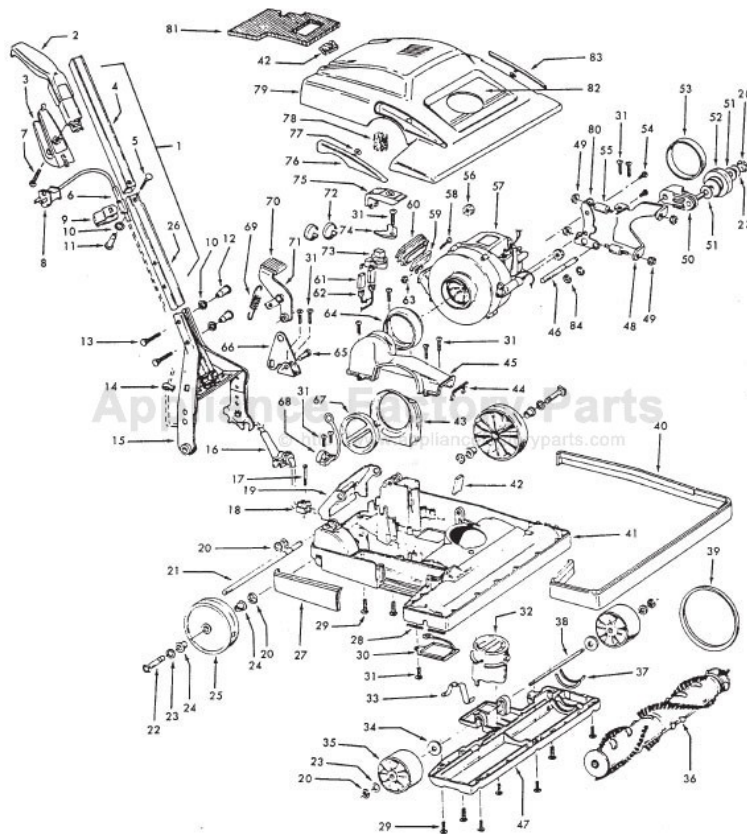


This Owner's Manual is provided and hosted by [Appliance Factory Parts](http://Appliance Factory Parts).



# HOOVER U7071-040 Owner's Manual

[Shop genuine replacement parts for HOOVER  
U7071-040](#)



[Find Your HOOVER Vacuum Cleaner Parts - Select From 1456 Models](#)

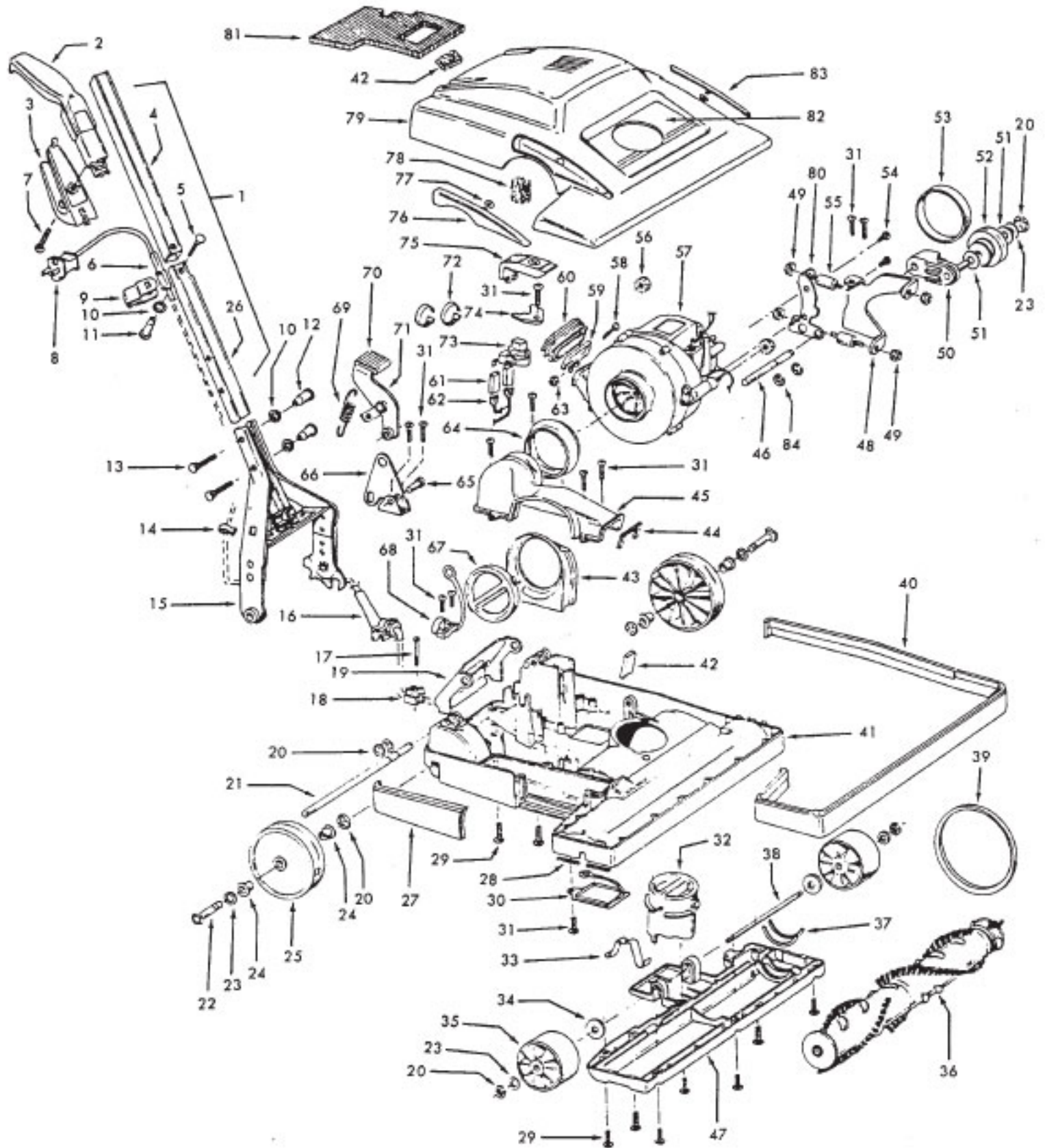
----- Manual continues below part list -----

## Available Replacement Parts for HOOVER U7071-040

<a href="#">H-38528036</a>	BELT, FLAT 1PK
<a href="#">H-4010001A</a>	VACUUM BAG OEM HOOVER 3 PACK

# Conquest Cleaner

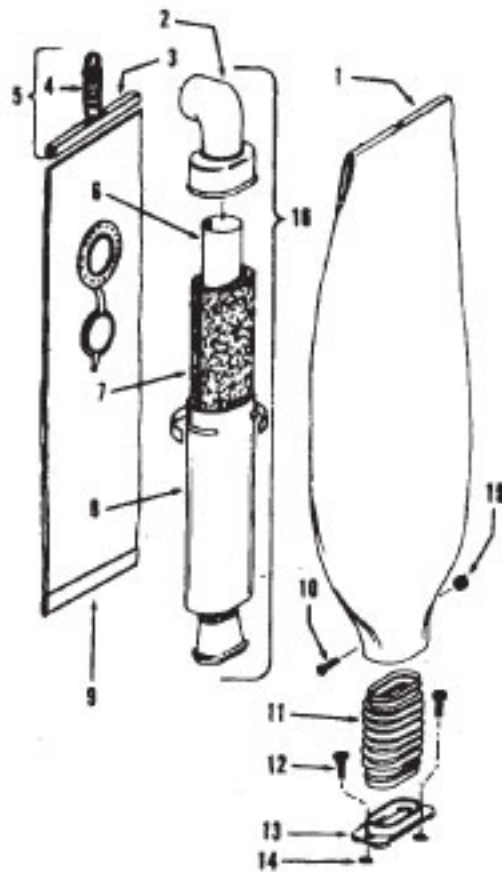
Models U7071 w/Cloth Bag  
U7071-040 w/o Bag - 5.2 Motor  
U7071-070 w/o Bag - 7.0 Motor  
U7071-080



**U7071-040 w/o Bag - 5.2 Motor**  
**U7071-070 w/o Bag - 7.0 Motor**  
**U7071-080**

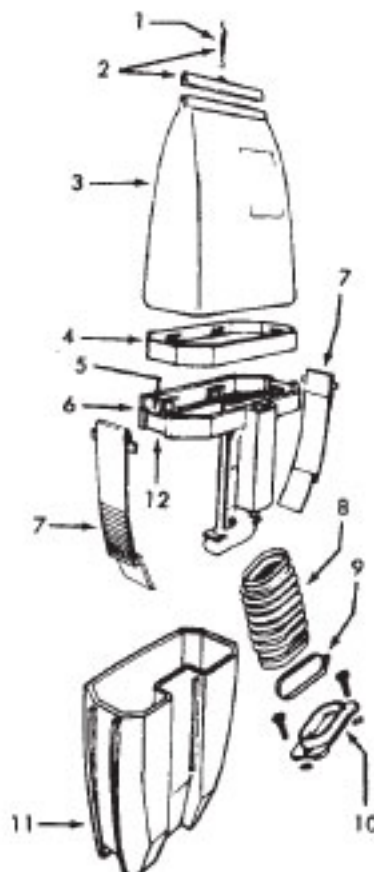
Ref. No.	Part No.	Description	Ref. No.	Part No.	Description
1	48631149	Handle Assm.(1 piece) (Inc. 6, 8, 10)	44	34253013	Duct Gasket
2	39454060	Handle Grip	45	38657020	Air Duct
3	39442017	Cord Hook - AG	46	31534001	Shaft
4	48631149	Handle Assm.(1 piece) (Inc. 6, 8, 10)	47	37245064	Bottom Plate
5	21631301	Handle Bolt	48	36321006	Bracket
6	36215025	Cord Protector - HP	49	21852158	Nut
7	21479254	Screw	50	43256007	Pulley Arm
8	46383193	Attach Cord - HP - 50	51	31158008	Brass Washer
9	36172040	Cord Clamp	52	43256002	Pulley
10	13704	Lock Washer	53	38528036	Belt
11	32277021	Handle Nut	54	17001FW	Screw
12	32277008	Handle Nut	55	32724010	Sandwich Mount
13	21831024	Handle Bolt	56	21652005	Nut
14	36172015	Cord Retainer - HP	57	43576059	Motor - 5.2 (P-161) use 43574106
15	41416022	Bail - AX		43574106	Motor - 7.0 - (P-161)
16	36216008	Cord Protector	58	21765140	Screw
17	21447074	Screw	59	34797008	Band
18	27684002	Terminal	60	38671008	Bellows
19	42256106	Exhaust Flange	61	162961	Insulating Pod
20	160017	Lock Ring	62	163055	Terminal
21	32563009	Bail Shaft	63	15854EF	Nut
22	32512001	Rear Axle	64	38671005	Boot
23	163110	Washer	65	32215002	Shaft
24	162143	Bearing	66	35214009	Lever Support
25	38522036	Rear Wheel	67	37257074	Cap - HP
26	48631149	Handle Assm.(1 piece) (Inc. 6, 8, 10)	68	27478610	Cable Wedge
27	36231084	Furniture Guard - AG - Short	69	38335008	Spring
28	34122019	Duct Seal	70	38426030	Foot Pad - AG
29	21447012	Screw	71	43151006	Handle Control Lever
30	35121001	Access Door	72	27479307	Wire Tie
31	21447003	Screw	73	28212009	Switch
32	36436005	Adjustment Cap - AG	74	36171030	Clamp
33	38381005	Spring	75	38426047	Switch Pedal - HP
34	21312754	Washer	76	36222017	Wear Strip - RH
35	38522034	Front Wheel - AG	77	21364102	Speed Nut
36	48416036	Agitator - (P - 157)	78	31164004	Motor Cushion
37	38781008	Gasket	79	37252010	Hood - LA
38	32543005	Axle	80	36321002	Bracket
39	38528013	V- Belt	81	38783005	Gasket
40	41211006	Furniture Guard - Long - LY	82	52115108	Nameplate
41	37241115	Main Body	83	36222012	Wear Strip - LH
42	34141005	Motor Cushion	84	13730	Lock Ring
43	41119008	Cap Lock			
					BAG ASSM. - P-158

# Conquest Cleaner



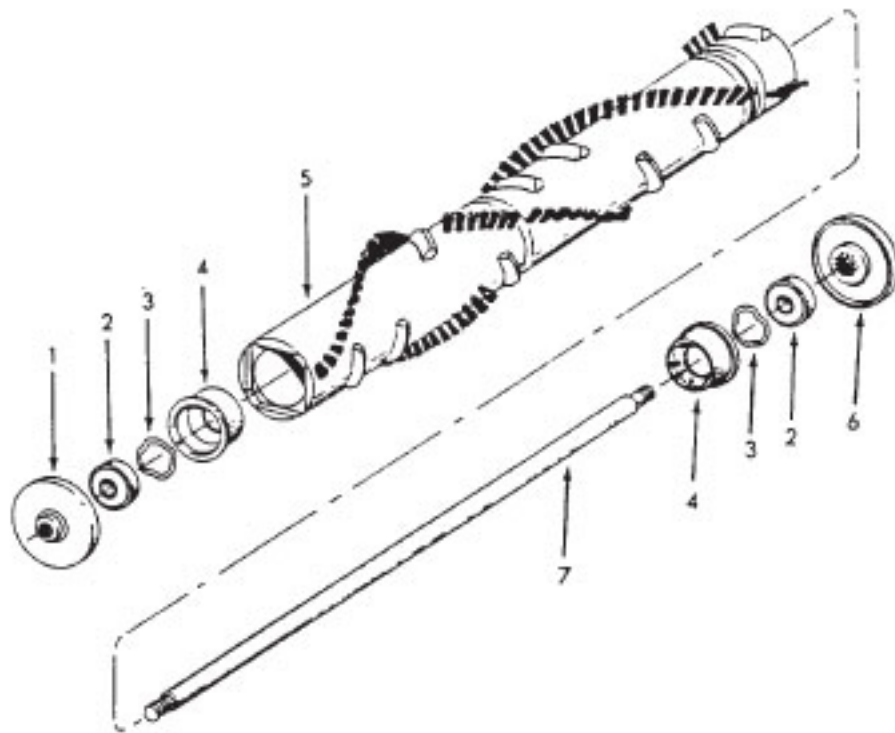
## Cloth Bag Assm. 40201060 (Warehouse)

Ref. No.	Part No.	Description
	43678060	Cloth Bag Assm. AG (Inc. items 1-16)
1	43674055	Outer Cloth Bag - AG
2	38657012	Top Fill Tube
3	36425026	Bag Closure Clip - AG
4	38336019	Spring
5	41128016	Bag Spring/Clip Assm.
6	31746020	Liner
7	34133005	Foam Muffler
8	37257083	Housing
9	43667037	Inner Cloth Bag - Early Style
	43667054	Inner Cloth Bag - Late Style with clip on bottom (pictured)
10	17206	Screw
11	38673010	Bellows
12	36112002	Screw
13	36425005	Bag Flange
14	13759	Lock Ring
15	15854EF	Nut
16	42256012	Muller Assm.
	4010001A	Paper Bag - (3 Pk.) (Optional)
	4010100A	Paper Bag - (3 Pk.) Allergen Filtration (Optional)



## Dust Cup Kit 58642015 (Warehouse)

Ref. No.	Part No.	Description
1	38336019	Spring
2	41128016	Bag Spring/Clip Assm.
3	43667040	Cloth Bag - Orange
	43667056	Cloth Bag - Black
4	35173001	Bag Expander
5	34112015	Seal
6	41427012	Cup Support & Bellows - LY
7	36155011	Latch - AG
8	38673001	Bellows - AG
9	49044	Clamp
	17206	Screw
	15854EF	Nut
10	41424018	Bag Flange
11	38775001	Dust Cup
12	34123020	Seal



Ref. Part  
No. No. Description

**Agitator 48416036 - 18"**

1	41435066	Thread Guard
2	24152807	Bearing
3	21345113	Wave Spring Washer
4	36422004	AgitatorEnd
5	48416017	Agitator Body w/Ends
6	41435061	Thread Guard
7	32873004	Agitator Shaft

Ref. Part  
No. No. Description

**Agitator 48416035 - 14"**

1	41435066	Thread Guard
2	24152807	Bearing
3	21345113	Wave Spring Washer
4	36422004	AgitatorEnd
5	48416013	Agitator Body w/Ends
6	41435061	Thread Guard
7	32873007	Agitator Shaft

