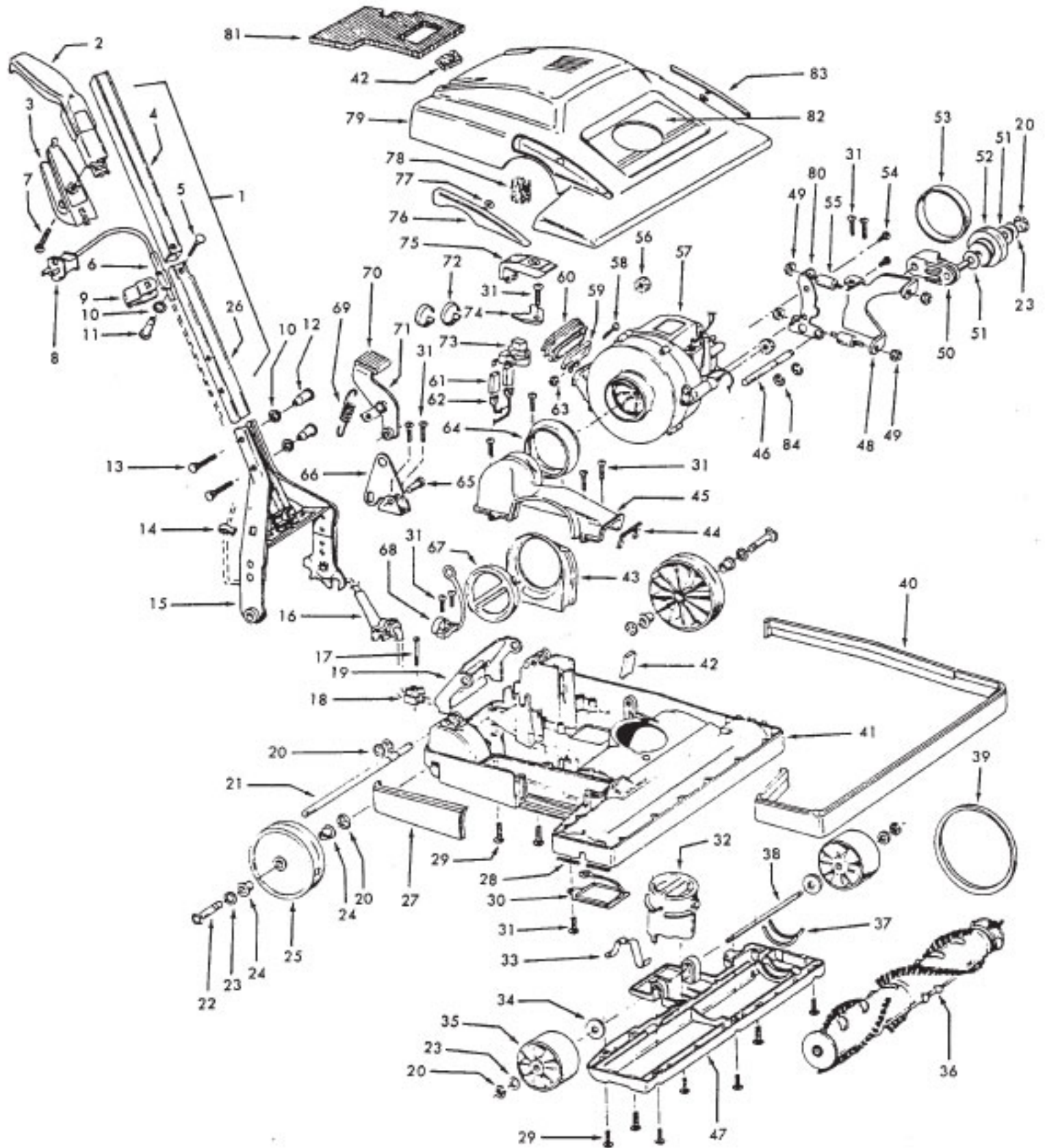


Conquest Cleaner

Models U7071 w/Cloth Bag
U7071-040 w/o Bag - 5.2 Motor
U7071-070 w/o Bag - 7.0 Motor
U7071-080



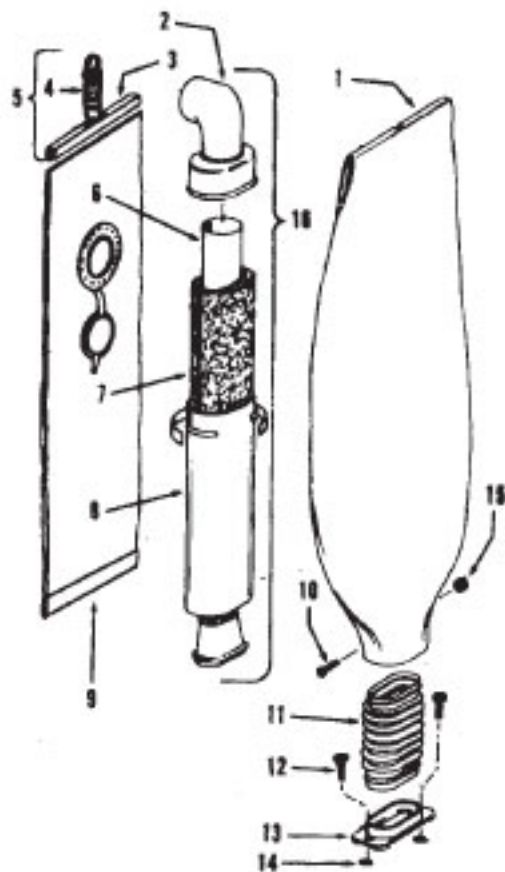
U7071-040 w/o Bag - 5.2 Motor
U7071-070 w/o Bag - 7.0 Motor
U7071-080

Ref. No.	Part No.	Description
1	48631149	Handle Assm.(1 piece) (Inc. 6, 8, 10)
2	39454060	Handle Grip
3	39442017	Cord Hook - AG
4	48631149	Handle Assm.(1 piece) (Inc. 6, 8, 10)
5	21631301	Handle Bolt
6	36215025	Cord Protector - HP
7	21479254	Screw
8	46383193	Attach Cord - HP - 50
9	36172040	Cord Clamp
10	13704	Lock Washer
11	32277021	Handle Nut
12	32277008	Handle Nut
13	21831024	Handle Bolt
14	36172015	Cord Retainer - HP
15	41416022	Bail - AX
16	36216008	Cord Protector
17	21447074	Screw
18	27684002	Terminal
19	42256106	Exhaust Flange
20	160017	Lock Ring
21	32563009	Bail Shaft
22	32512001	Rear Axle
23	163110	Washer
24	162143	Bearing
25	38522036	Rear Wheel
26	48631149	Handle Assm.(1 piece) (Inc. 6, 8, 10)
27	36231084	Furniture Guard - AG - Short
28	34122019	Duct Seal
29	21447012	Screw
30	35121001	Access Door
31	21447003	Screw
32	36436005	Adjustment Cap - AG
33	38381005	Spring
34	21312754	Washer
35	38522034	Front Wheel - AG
36	48416036	Agitator - (P - 157)
37	38781008	Gasket
38	32543005	Axle
39	38528013	V- Belt
40	41211006	Furniture Guard - Long - LY
41	37241115	Main Body
42	34141005	Motor Cushion
43	41119008	Cap Lock

Ref. No.	Part No.	Description
44	34253013	Duct Gasket
45	38657020	Air Duct
46	31534001	Shaft
47	37245064	Bottom Plate
48	36321006	Bracket
49	21852158	Nut
50	43256007	Pulley Arm
51	31158008	Brass Washer
52	43256002	Pulley
53	38528036	Belt
54	17001FW	Screw
55	32724010	Sandwich Mount
56	21652005	Nut
57	43576059	Motor - 5.2 (P-161) use 43574106
	43574106	Motor - 7.0 - (P-161)
58	21765140	Screw
59	34797008	Band
60	38671008	Bellows
61	162961	Insulating Pod
62	163055	Terminal
63	15854EF	Nut
64	38671005	Boot
65	32215002	Shaft
66	35214009	Lever Support
67	37257074	Cap - HP
68	27478610	Cable Wedge
69	38335008	Spring
70	38426030	Foot Pad - AG
71	43151006	Handle Control Lever
72	27479307	Wire Tie
73	28212009	Switch
74	36171030	Clamp
75	38426047	Switch Pedal - HP
76	36222017	Wear Strip - RH
77	21364102	Speed Nut
78	31164004	Motor Cushion
79	37252010	Hood - LA
80	36321002	Bracket
81	38783005	Gasket
82	52115108	Nameplate
83	36222012	Wear Strip - LH
84	13730	Lock Ring

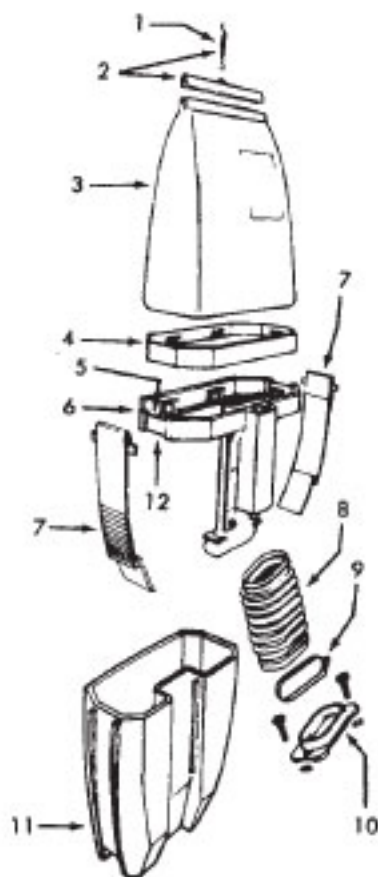
BAG ASSM. - P-158

Conquest Cleaner



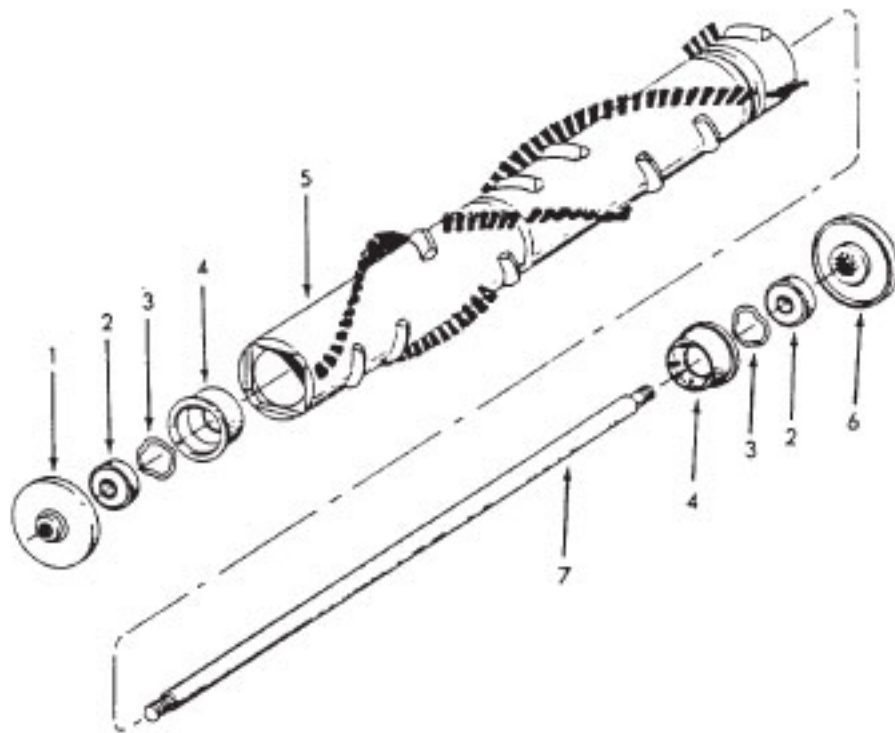
Cloth Bag Assm. 40201060 (Warehouse)

Ref. No.	Part No.	Description
	43678060	Cloth Bag Assm. AG (Inc. items 1-16)
1	43674055	Outer Cloth Bag - AG
2	38657012	Top Fill Tube
3	36425026	Bag Closure Clip - AG
4	38336019	Spring
5	41128016	Bag Spring/Clip Assm.
6	31746020	Liner
7	34133005	Foam Muffler
8	37257083	Housing
9	43667037	Inner Cloth Bag - Early Style
	43667054	Inner Cloth Bag - Late Style with clip on bottom (pictured)
10	17206	Screw
11	38673010	Bellows
12	36112002	Screw
13	36425005	Bag Flange
14	13759	Lock Ring
15	15854EF	Nut
16	42256012	Muller Assm.
	4010001A	Paper Bag - (3 Pk.) (Optional)
	4010100A	Paper Bag - (3 Pk.) Allergen Filtration (Optional)



Dust Cup Kit 58642015 (Warehouse)

Ref. No.	Part No.	Description
1	38336019	Spring
2	41128016	Bag Spring/Clip Assm.
3	43667040	Cloth Bag - Orange
	43667056	Cloth Bag - Black
4	35173001	Bag Expander
5	34112015	Seal
6	41427012	Cup Support & Bellows - LY
7	36155011	Latch - AG
8	38673001	Bellows - AG
9	49044	Clamp
	17206	Screw
	15854EF	Nut
10	41424018	Bag Flange
11	38775001	Dust Cup
12	34123020	Seal



Ref. Part
No. No. Description

Agitator 48416036 - 18"

1	41435066	Thread Guard
2	24152807	Bearing
3	21345113	Wave Spring Washer
4	36422004	AgitatorEnd
5	48416017	Agitator Body w/Ends
6	41435061	Thread Guard
7	32873004	Agitator Shaft

Ref. Part
No. No. Description

Agitator 48416035 - 14"

1	41435066	Thread Guard
2	24152807	Bearing
3	21345113	Wave Spring Washer
4	36422004	AgitatorEnd
5	48416013	Agitator Body w/Ends
6	41435061	Thread Guard
7	32873007	Agitator Shaft

