

Model Number: U8147900

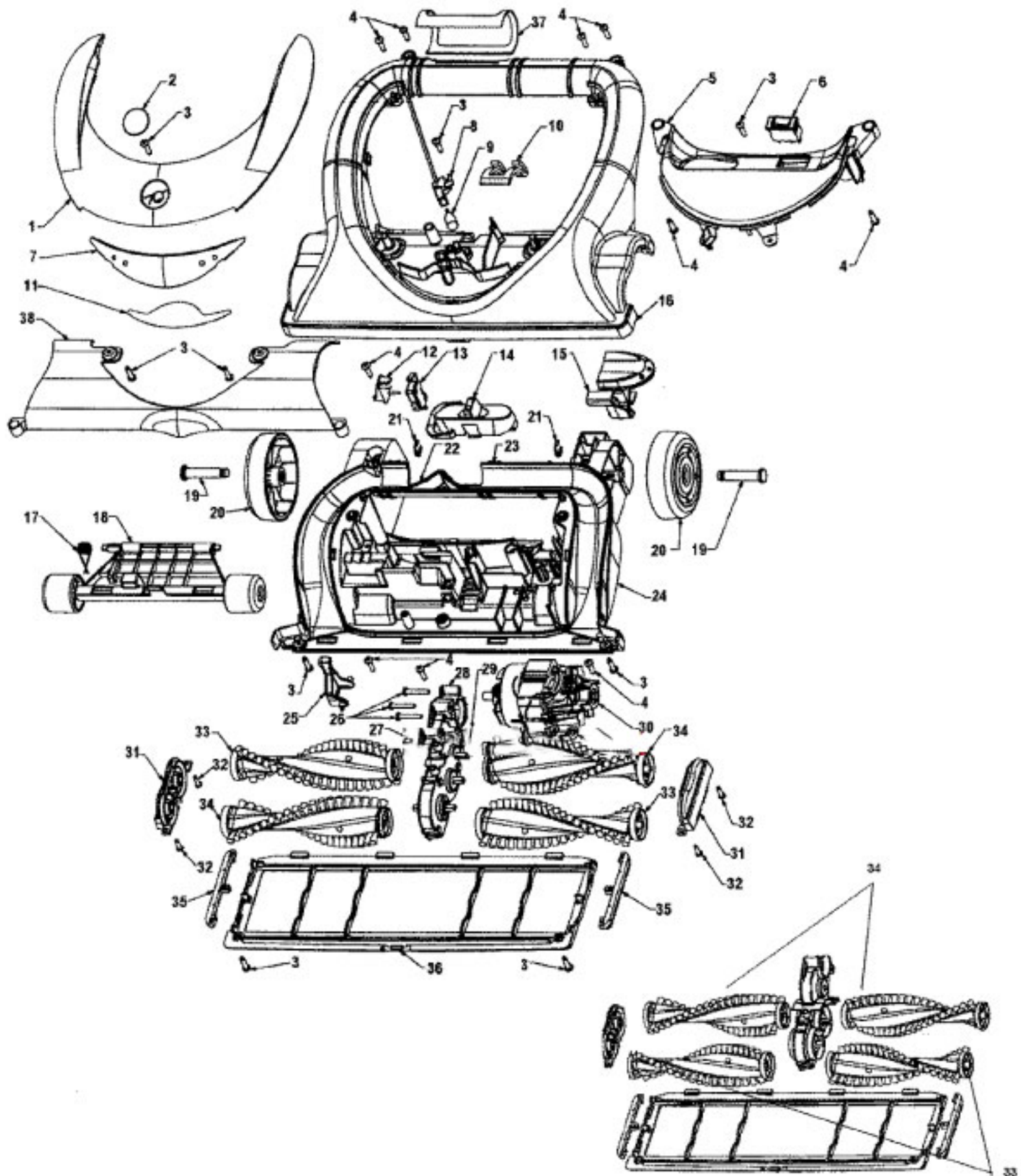
BOM/Serial #: U8147900

Graphic Title: MOTOR, TURBINEHANDTOOL, HANDLE

Image	Key	Part Number	Description	Substitution	Qty.
1	1	39466056	UPPER HANDLE-ABE		1
1	2	214472ED	SCREW-SELF TAPPING-C		1
1	3	21447236	SCREW		1
1	4	36433164	HOSE HOLDER-UPPER-ABE		1
1	5	43431223	HOSE ASSEM COMP/LABEL		1
1	6	38646084	DIRT DUCT COVER-ABE		1
1	7	21447242	SCREW-SELF TAPPING		1
1	8	39454078	HANDLE GRIP-AEF		1
1	9	38421098	SWITCH BUTTON-ABR		1
1	9	38421103	SWITCH BUTTON-ABE		1
1	10	38458064	SWITCH ROD-AG		1
1	11	38617027	CREVICE TOOL-ABR		1
1	12	28161067	SWITCH-WT-.025 TERM		1
1	13	-----	NOT REQUIRED PART OR SEE NOTE		1
1	14	36215028	CORD PROTECTOR-WTBGL		1
1	15	3944201P	CORD WRAP		1
1	16	46383342	ATTACHMENT CORD ASSEM-31 FT		1
1	17	38617029	CREVICE TOOL-ABR		1
1	18	38634078	EXTENSION TUBE-AG		1
1	19	37259011	UPPER HOUSING-ABE	37259022	1
1	20	36433165	WAND HOLDER-UPPER-ABE		1
1	21	38781060	GASKET-35IN		1
1	21	38683016	TRUNNION DUCT-ABE	38683018	1
1	22	21447242	SCREW-SELF TAPPING		1
1	23	36433179	TOOL HOLDER-ADM-U812		1
1	23	36433162	TOOL HOLDER W/THT-AFM		1
1	23	36433189	TOOL HOLDER-ACL-U814		1
1	23	36433180	TOOL HOLDER-AG U8122		1
1	23	36433178	TOOL HOLDER-AG-U8146		1
1	23	36433170	Tool Holder-AFS-U813		1
1	23	36433177	TOOL HOLDER-ACF-U813		1
1	23	36433175	Tool Holder-ABR-U814		1
1	23	36433174	Tool Holder-WW-U8148		1
1	23	36433183	TOOL HLDER-AEF-U8141		1
1	23	36433163	Tool Holder-AFJ-U812		1

Image	Key	Part Number	Description	Substitution	Qty.
1	24	21447072	SCREW		1
1	25	3861401E	FURNITURE NOZZLE		1
1	26	49129015	TURBANE HAND TOOL-AFN		1
1	26	49129019	TURBINE HND TL-AFX		1
1	27	43414174	DUSTING BRUSH ASSEM-		1
1	28	36433166	WAND HOLDER-LOWER-ABE		1
1	29	21447242	SCREW-SELF TAPPING		1
1	30	36322036	MOTOR MOUNT-MIDDLE		1
1	31	27212053	SUCTION MOTOR		1
1	32	38785018	MOTOR FACE SEAL-AG		1
1	33	37257281	TOOL DOOR-CP		1
1	34	21447242	SCREW-SELF TAPPING		1
1	35	37249024	FRONT PANEL-AFM		1
1	35	37249023	Frnt Panel-AFS-U8130		1
1	35	37249026	Frnt Panel-WW-U8148		1
1	35	37249031	Frnt Panel-ABR-U8142		1
1	35	37249032	FRONT PANEL-ACF-U813		1
1	35	37249033	FR PANEL-AG-U8146		1
1	35	37249034	FR PANEL-ADM-U8126		1
1	35	37249036	FRONT PANEL-AG-U8122		1
1	35	37249038	FRNT PANEL-AEF- <b>U8141</b>		1
1	35	37249050	FRT PANEL-ACL-U81449		1
1	35	37249022	Frnt Panel-AFJ-U8120		1
1	36	37249035	DIRT CUP LID-ABE	37249055	1
1	37	38411010	KNOB-CARTRIDGE FILTER-ABR		1
1	38	38783029	INLET SEAL-DIRT CUP-AG		1
1	39	36426051	PRE-FILTER ASSEMBLY-ABR		1
1	40	40140201	CARTRIDGE FILTER		1
1	41	21447230	SCREW-SELF TAPPING-F		1
1	42	43613024	FINAL FILTER HEPA		1
1	42	38766028	FINAL FILTER	93002017	1
1	43	37196161	MOTOR COVER-AFJ-U812		1
1	43	37196163	Mtr Cover-AFS-U8120		1
1	43	37196169	MOTOR COVER-AG		1
1	43	37196171	MOTOR COVER-AEF-U8141		1
1	43	37196165	Mtr Cover-WW-U8148		1
1	43	37196168	MOTOR COVER ACF-U813		1
1	43	37196170	MOTOR COVER-ADM-U812		1

Image	Key	Part Number	Description	Substitution	Qty.
1	43	37196164	MOTOR COVER-AFM		1
1	43	37196166	Mtr Cover-ABR-U8142		1
1	43	37196174	MTR COVER-ACL-U81449		1
1	44	21447230	SCREW-SELF TAPPING-F		1
1	45	38785017	EXHAUST SEAL-AG		1
1	46	4010100Y	ALLER FILT BAG Y - 3-PK		1
1	47	39512020	EXPULSION BLADE U663	92001033	1
1	48	38775094	DIRT CUP SERVICE		1
1	49	38769017	FINAL FILTER DOOR-AAN		1
1	50	37256003	Bag Container-U8120		1
1	50	37256004	BAG CONT WTV2 AF6/03		1
1	51	38783031	INLET SEAL		1
1	51	38783029	INLET SEAL-DIRT CUP-AG		1
1	52	37249041	BAG CONTAINER LID-ABE		1
1	60	38781078	SEAL-MOTOR-COVER-FRONT		1
1	60	34163016	MUFFLER FOAM		1
1	60	36424005	BAG ADAPTER-AG		1
1	60	43434042	EXTRA HOSE ASM COMP		1
1	62	56511B73	OWNER MANUAL		1
1	62	56511B79	OWNER MANUAL-U8121		1
1	62	56511B46	Owner Manual-U8120		1
1	62	56511B47	OWNER MANUAL		1
1	62	56511B57	OWNER MANUAL-U8146		1
1	62	56511B63	OWNER MANUAL-U8122		1



AGITATOR ORIENTATION - MODELS AFTER 6/03

**Model Number: U8147900**

**BOM/Serial #: U8147900**

**Graphic Title: AGITATOR, MAINBODY, HOOD**

Image	Key	Part Number	Description	Substitution	Qty.
1	1	37251003	HOOD-AFM		1
1	1	37251012	HOOD-ACL-U8144900		1
1	1	37251009	HOOD-AEF-U8141		1
1	1	37251008	HOOD-ADM-U8126		1
1	1	37251007	HOOD-AG-U8146		1
1	1	37251006	HOOD-ACF-U8134		1
1	1	37251005	Hood-ABR-U8142		1
1	1	37251004	Hood-WW-U8148		1
1	1	37251002	Hood-AFS-U8130		1
1	1	37251001	Hood-AFJ-U8120		1
1	2	51661020	MEDALLION		1
1	3	017001FW	SCREW		1
1	4	21447242	SCREW-SELF TAPPING		1
1	5	37246140	Control Panel-U8148	37246148	1
1	5	37246148	CONTROL PANEL-AEF		1
1	6	27854030	ROCKER SW W/CIR BRK		1
1	6	27854029	ROCKER SWITCH W/CIR BREAKER		1
1	7	39383113	LENS		1
1	8	47173037	LAMP SOCKET		1
1	9	27313107	BULB		1
1	10	38783030	TRUNNION SEAL		1
1	11	39385008	REFLECTOR		1
1	12	36913031	SWITCH BRACKET-ABE		1
1	13	28218050	MICROSWITCH	91001026	1
1	14	38421110	ACTUATOR KNOB-AG		1
1	14	38421077	Actuator Knob U-8148		1
1	15	38434026	HANDLE RELEASE LEVER-AG		1
1	16	37243045	AGIT HSG W/FURNITURE GUARD	92001020	1
1	17	38355010	TORSION SPRING		1
1	18	36432044	Wheel Carriage-ABE		1
1	18	38521009	FRONT WHEEL-AG		1
1	18	32541007	WHEEL SHAFT-AY		1
1	18	43248067	FRONT WHEEL CARR-ASSEM		1
1	18	36131056	WHEEL RETAINER - BZ		1
1	19	32434008	REAR AXLE-AA X-U5433-	32434007	1

Image	Key	Part Number	Description	Substitution	Qty.
1	19	32434014	REAR AXLE-AA X		1
1	20	38522082	REAR WHEEL-W/TREAD-AEF/AG	92001031	1
1	21	160017--	LOCK RING		1
1	22	38781065	GASKET-27IN	38781060	1
1	23	38781060	GASKET-35IN		1
1	24	37241167	Main Body-U8148		1
1	24	37241169	MAIN BODY-ABE		1
1	25	38458072	HEIGHT ADJ SLIDE-BZ		1
1	25	38458063	Height Adj Lvr-U8148		1
1	26	21445827	SCREW		1
1	27	214793DA	SCREW-SELF TAPPING-5/8"		1
1	28	42915024	GEAR HSG MTR AFT6/03 SERVICE		1
1	29	38783030	TRUNNION SEAL		1
1	30	----	NOT REQUIRED PART OR SEE NOTE		1
1	31	41435026	AGITATOR END CAP-AGR	92001022	2
1	32	21479446	SCREW-SELF TAP		1
1	33	48414125	AGITATOR ASSEM LACED-RH		2
1	34	48414128	AGITATOR ASSEM LACED-LH		2
1	35	39511009	LITTER PICKER-AGS		2
1	36	37245102	BOTTOM PLATE-ABE		1
1	37	38783030	TRUNNION SEAL		1
1	38	37243036	NOZZLE LINER-CP		1
1	39	46512003	PTO Cord-U8148		1
1	39	46512004	CORD-STRIPPED		1