

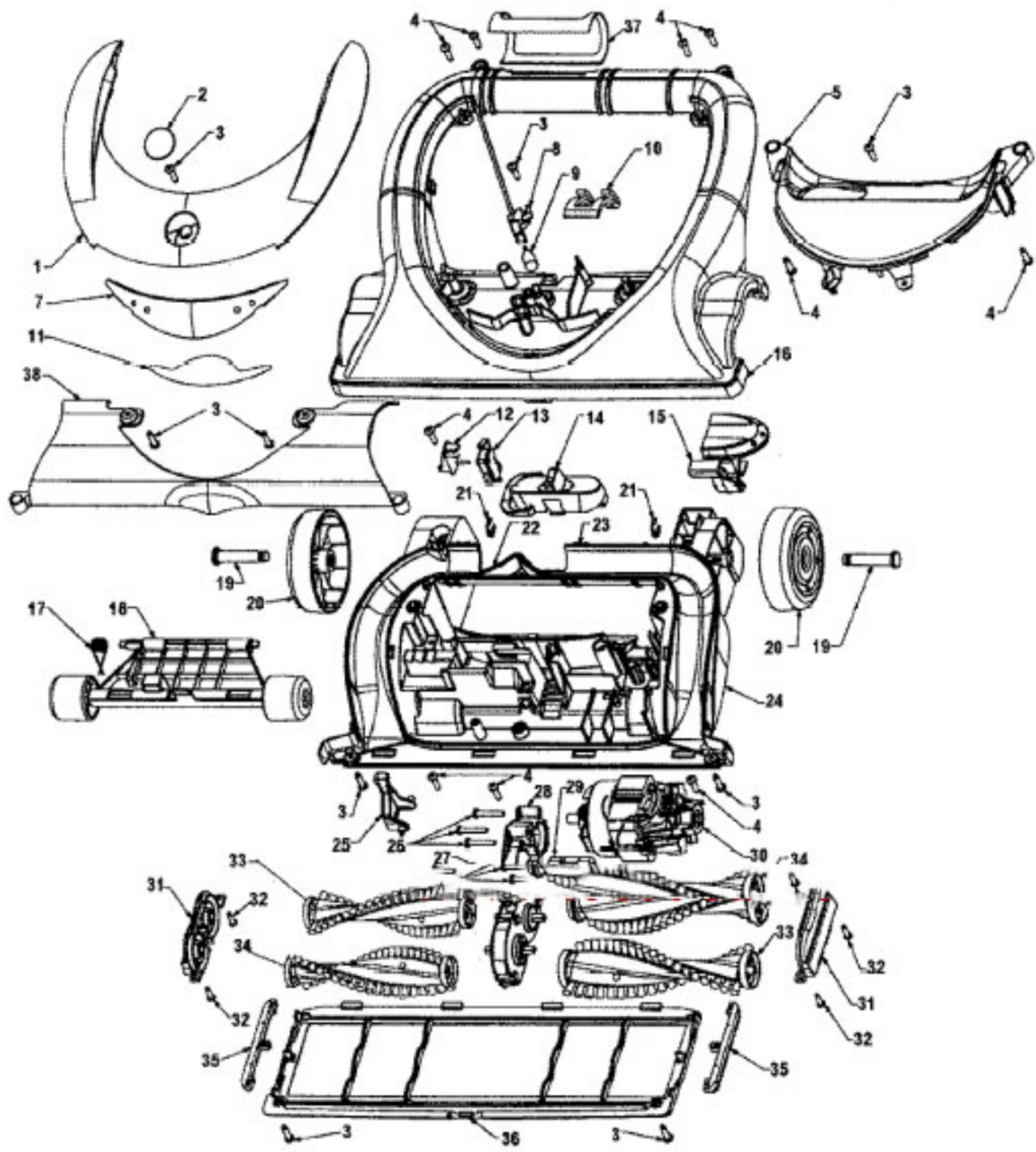
Model Number: U8150900

BOM/Serial #: U8150900

Graphic Title: MOTOR, TURBINEHANDTOOL, HANDLE

Image	Key	Part Number	Description	Substitution	Qty.
1	1	39466094	UPPER HANDLE SERVICE		1
1	2	214472ED	SCREW-SELF TAPPING-C		1
1	3	21447236	SCREW		1
1	4	36433196	HOSE HLDER UPPER-AGR		1
1	5	91001045	HOSE ASSEMBLY COMP-W/BAG		1
1	5	43431227	HOSE ASSEM COMP-AG/AGR		1
1	6	38646088	DIRT DUCT COVER-AGR		1
1	7	21447242	SCREW-SELF TAPPING		1
1	8	39454079	HANDLE GRIP-AEA		1
1	9	38421112	SWITCH BUTTON-AGR		1
1	10	27854033	SWITCH/CIRCUIT BOARD		1
1	11	92001057	LENS - HANDLE GRIP		1
1	12	36911006	CONNECTOR MOUNT		1
1	13	46651004	RECEPTACLE/HARNESS		1
1	14	36215028	CORD PROTECTOR-WTBGL		1
1	15	92001030	CORD WRAP-AGR		1
1	16	46383342	ATTACHMENT CORD ASSEM-31 FT		1
1	17	38617031	CREVICE TOOL- LONG - AGR		1
1	18	38634078	EXTENSION TUBE-AG		1
1	19	37259022	UPPER HOUSING-AGR		1
1	20	36433197	WAND HOLDER-UPPER-AGR		1
1	21	38781060	GASKET-35IN		1
1	21	38683018	TRUNNION DUCT-AGR		1
1	22	21447242	SCREW-SELF TAPPING		1
1	23	91001046	TOOL HOLDER -AFW		1
1	24	21447072	SCREW		1
1	25	38614044	FURNITURE NOZZLE-AGR		1
1	26	49129027	TURBINE HAND TOOL		1
1	27	43414195	DUSTING BRUSH ASSEMBLY-AGR		1
1	28	36433194	WAND HOLDER-LOWER-AGR		1
1	29	21447242	SCREW-SELF TAPPING		1
1	30	36322036	MOTOR MOUNT-MIDDLE		1
1	31	27212053	SUCTION MOTOR		1
1	32	38785018	MOTOR FACE SEAL-AG		1
1	33	37257281	TOOL DOOR-CP		1

Image	Key	Part Number	Description	Substitution	Qty.
1	34	21447242	SCREW-SELF TAPPING		1
1	35	91001047	FRONT PANEL-AFW		1
1	36	37249055	DIRT CUP LID-AGR		1
1	37	38411013	KNOB CART FILT-AG		1
1	38	38783029	INLET SEAL-DIRT CUP-AG		1
1	39	91001048	PRE-FILTER ASSEMBLY-AGR		1
1	40	40140201	CARTRIDGE FILTER (4)		1
1	41	21447230	SCREW-SELF TAPPING-F		1
1	42	43613024	FINAL FILTER HEPA		1
1	42	38766028	FINAL FILTER		1
1	43	91001049	MOTOR COVER-AFW		1
1	44	21447230	SCREW-SELF TAPPING-F		1
1	45	38785017	EXHAUST SEAL-AG		1
1	46	4010801Y	HEPA FILT BAG-2 PACK		1
1	47	92001033	EXPLUSION BLADE		1
1	48	38775094	DIRT CUP SERVICE		1
1	49	38769017	FINAL FILTER DOOR-AAN		1
1	50	37256005	BAG CONTAINER-AFX		1
1	51	38783035	INLET SEAL-BAG CONT-BZ		1
1	52	36424005	BAG ADAPTER-AG		1
1	52	34163016	MUFFLER FOAM		1
1	52	37249065	BAG CONTAINER LID-AGR		1
1	53	56511C13	OWNER MANUAL		1



Model Number: U8150900

BOM/Serial #: U8150900

Graphic Title: AGITATOR, MAINBODY, HOOD

Image	Key	Part Number	Description	Substitution	Qty.
1	1	91001044	HOOD-AFW		1
1	2	51661020	MEDALLION		1
1	3	017001FW	SCREW		1
1	4	21447242	SCREW-SELF TAPPING		1
1	5	37246153	CONTROL PANEL-AEA		1
1	6	-----	NOT REQUIRED PART OR SEE NOTE		1
1	7	39383113	LENS		1
1	8	47173037	LAMP SOCKET		1
1	9	27313107	BULB		1
1	10	38783030	TRUNNION SEAL		1
1	11	39385008	REFLECTOR		1
1	12	36913031	SWITCH BRACKET-ABE		1
1	13	28218050	MICROSWITCH		1
1	14	38421110	ACTUATOR KNOB-AG		1
1	15	38434026	HANDLE RELEASE LEVER-AG		1
1	16	37243037	AGIT HSG W/FURNITURE GUARD	92001020	1
1	17	38355010	TORSION SPRING		1
1	18	43248067	FRONT WHEEL ASSEMBLY		1
1	19	32434014	REAR AXLE-AAX		2
1	20	92001031	REAR WHEEL-W/TREAD-AEA/AG		2
1	21	160017--	LOCK RING		2
1	22	38781065	GASKET-27IN	38781060	1
1	23	38781060	GASKET-35IN		1
1	24	92001032	MAIN BODY-AGR		1
1	25	38458072	HEIGHT ADJ SLIDE-BZ		1
1	26	91001043	SCREW-SELF TAPPING		1
1	27	214793DA	SCREW-SELF TAPPING-5/8"		1
1	28	42915024	GEAR HSG MTR AFT6/03 SERVICE		1
1	29	38783030	TRUNNION SEAL		1
1	30	-----	NOT REQUIRED PART OR SEE NOTE		1
1	31	92001022	AGITATOR END CAP ASSEM-AGR		2
1	32	21479446	SCREW-SELF TAP		1
1	33	48414125	AGITATOR ASSEM LACED-RH		2
1	34	48414128	AGITATOR ASSEM LACED-LH		2
1	35	39511009	LITTER PICKER-AGS		2

Image	Key	Part Number	Description	Substitution	Qty.
1	36	37245102	BOTTOM PLATE-ABE		1
1	37	38783030	TRUNNION SEAL		1
1	38	37243036	NOZZLE LINER-CP		1