

This Owner's Manual is provided and hosted by [Appliance Factory Parts](#).



HOOVER U8174-900 Owner's Manual

[Shop genuine replacement parts for HOOVER
U8174-900](#)



[Find Your HOOVER Vacuum Cleaner Parts - Select From 1456 Models](#)

----- Manual continues below part list -----

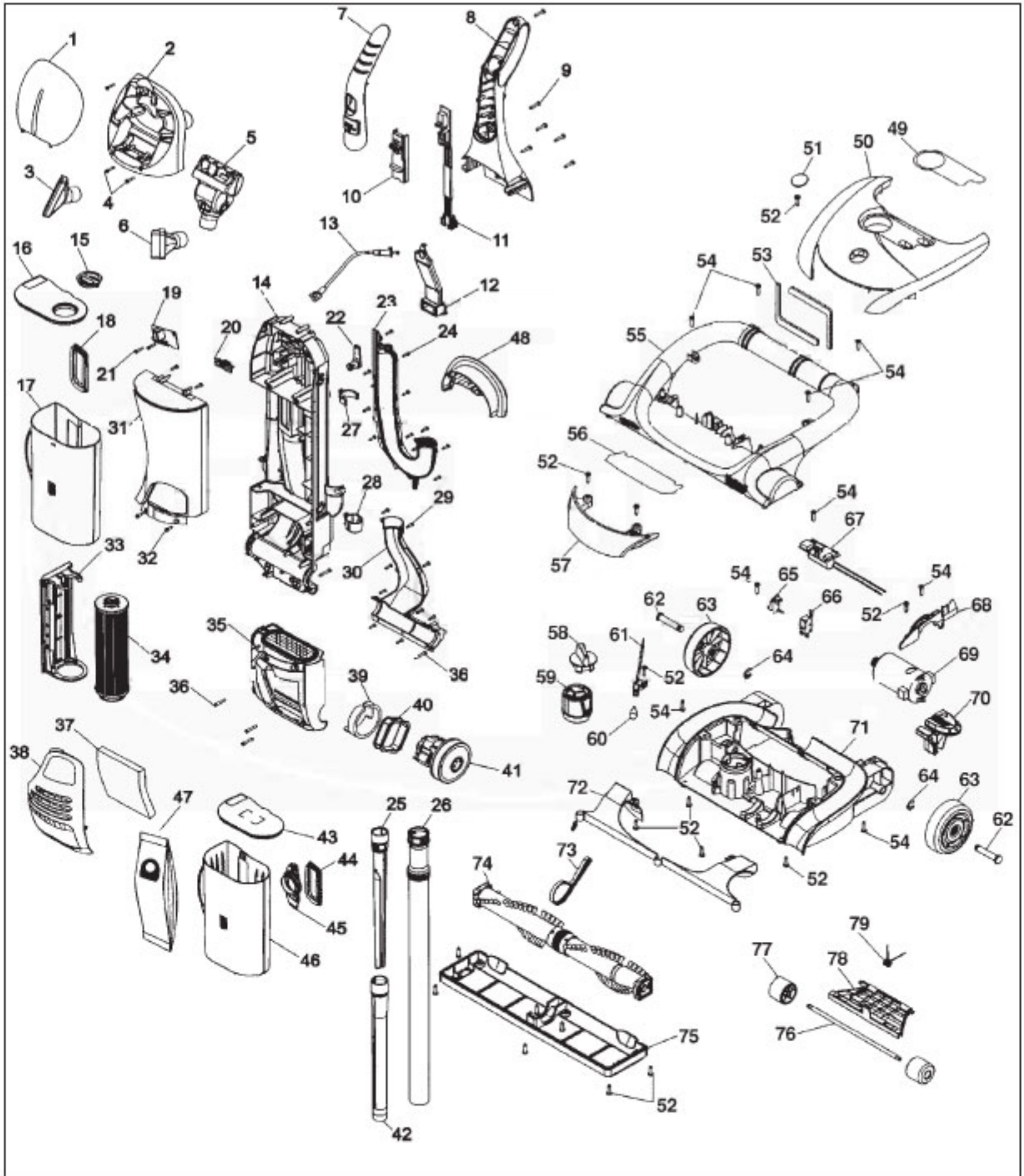
Available Replacement Parts for HOOVER U8174-900

H-4010100Y	BAG VACUUM CLEANER OEM HOOVER 3 PACK
H-40140201	Filter for Hepa Bagless
H-91001028	BELT, SAVVY GEARED U8174-900 STAMPED 385
HR-3500	HEADLIHT BULB

HOOVER Original

SAVVY UPRIGHT

Models U8174-900, U8181-900



Original **HOOVER**

SAVVY UPRIGHT

Models U8174-900, U8181-900

KEY	PART NO.	DESCRIPTION	KEY	PART NO.	DESCRIPTION
1	H-37257281	Tool Door	41	H-93001747	Motor Ass'y
2	H-36433195	Tool Holder U8174-900		H-91001027	Thermal Protector (Not Shown)
2	H-36433199	Tool Holder U8181-900		H-38758018	Motor Face Seal (Not Shown)
3	H-38614044	Furniture Nozzle	42	H-38634078	Extension Tube
4	H-21447072	Screw	43	H-37249065	Bag Container Lid
5	H-49129027	Turbine Hand Tool	44	H-38783035	Inlet Seal - Bag Cont
6	H-43414195	Dusting Brush Ass'y	45	H-36424005	Bag Adaptor
7	H-92001057	Handle Grip Lens	46	H-37256005	Bag Container
8	H-92001052	Upper Handle Ass'y	47	H-4010100Y	Paper Bag Type Y 3 Pk
9	H-214472ED	Self-Tapping Screw	48	H-36433196	Hose Holder Upper
10	H-38421112	Switch Button	49	H-91001038	EDF Name Plate
11	H-27854033	Circuit Board & Switch	50	H-92001046	Hood U8174-900
12	H-36911006	Connector Mount	50	H-92001047	Hood U8181-900
13	H-46383342	Attachment Cord Ass'y - 31 FT	51	H-51661020	Medallion
14	H-92001053	Upper Housing Ass'y	52	H-017001FW	Screw
15	H-38411013	Knob For Cartridge Filter	53	H-91001030	Trunnion Seal
16	H-37249055	Dirt Cup Lid	54	H-21447242	Self-Tapping Screw
17	H-38775094	Dirt Cup	55	H-92001042	Agitator Housing With Idler Bearing
18	H-38783029	Dirt Cup Inlet Seal	56	H-91001031	Reflector
19	H-91001035	EDF Printed Circuit Board	57	H-92001051	Lens
20	H-91001034	Harness Receptacle	58	H-92001049	Height Adjustment Knob
21	H-21447072	Screw	59	H-92001050	Height Adjustment Cam
22	H-92001030	Cord Hook	60	H-27313107	Bulb
23	H-92001064	Dirt Duct Ass'y Microphone	61	H-47173037	Lamp Socket
24	H-21447242	Self-Tapping Screw	62	H-32434014	Rear Axle
25	H-38617031	Crevice Tool Long	63	H-92001031	Rear Wheel W/Tread
26	H-43431227	Hose Ass'y Complete	64	H-160017	Lock Ring
27	H-36433197	Wand Holder Upper	65	H-36913031	Switch Bracket
28	H-36433194	Wand Holder Lower	66	H-91001026	Switch
29	H-21447242	Self-Tapping Screw	67	H-91001036	Display Bridge PCB
30	H-38683018	Trunnion Duct	68	H-92001040	Motor Bracket
31	H-37249056	Front Panel U8174-900	69	H-93001746	Agitator Motor
31	H-92001059	Front Panel U8181-900	70	H-38434026	Handle Release Lever
32	H-21447242	Self-Tapping Screw	71	H-92001041	Main Body
33	H-91001048	Pre-Filter Ass'y	72	H-92001074	Nozzle Liner
34	H-43611042	Cartridge Filter	73	H-91001028	Geared Belt
35	H-37196177	Motor Cover U8174-900	74	H-93001748	Agitator Ass'y
35	H-37196178	Motor Cover U8181-900	75	H-92001039	Furniture Guard/Bottom Plate
36	H-21447230	Self-Tapping Screw	76	H-32541007	Wheel Shaft
37	H-38766028	Final Filter	77	H-38521009	Front Wheel
38	H-38769017	Final Filter Door	78	H-91001066	Wheel Carriage
39	H-34163016	Muffler Foam	79	H-38355010	Torsion Spring
40	H-36322036	Middle Motor Mount		H-91001032	Wiring Harness Upper (Not Shown)
				H-91001033	Wiring Harness Lower From Handle Switch To Nozzle (Not Shown)