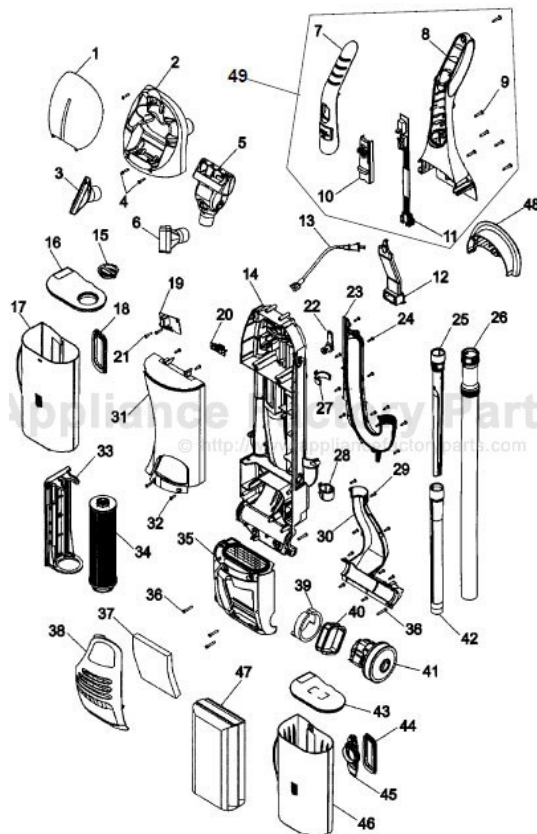


This Owner's Manual is provided and hosted by [Appliance Factory Parts](http://ApplianceFactoryParts.com).



# HOOVER UH40110 Owner's Manual

[Shop genuine replacement parts for HOOVER UH40110](#)



[Find Your HOOVER Vacuum Cleaner Parts - Select From 1455 Models](#)

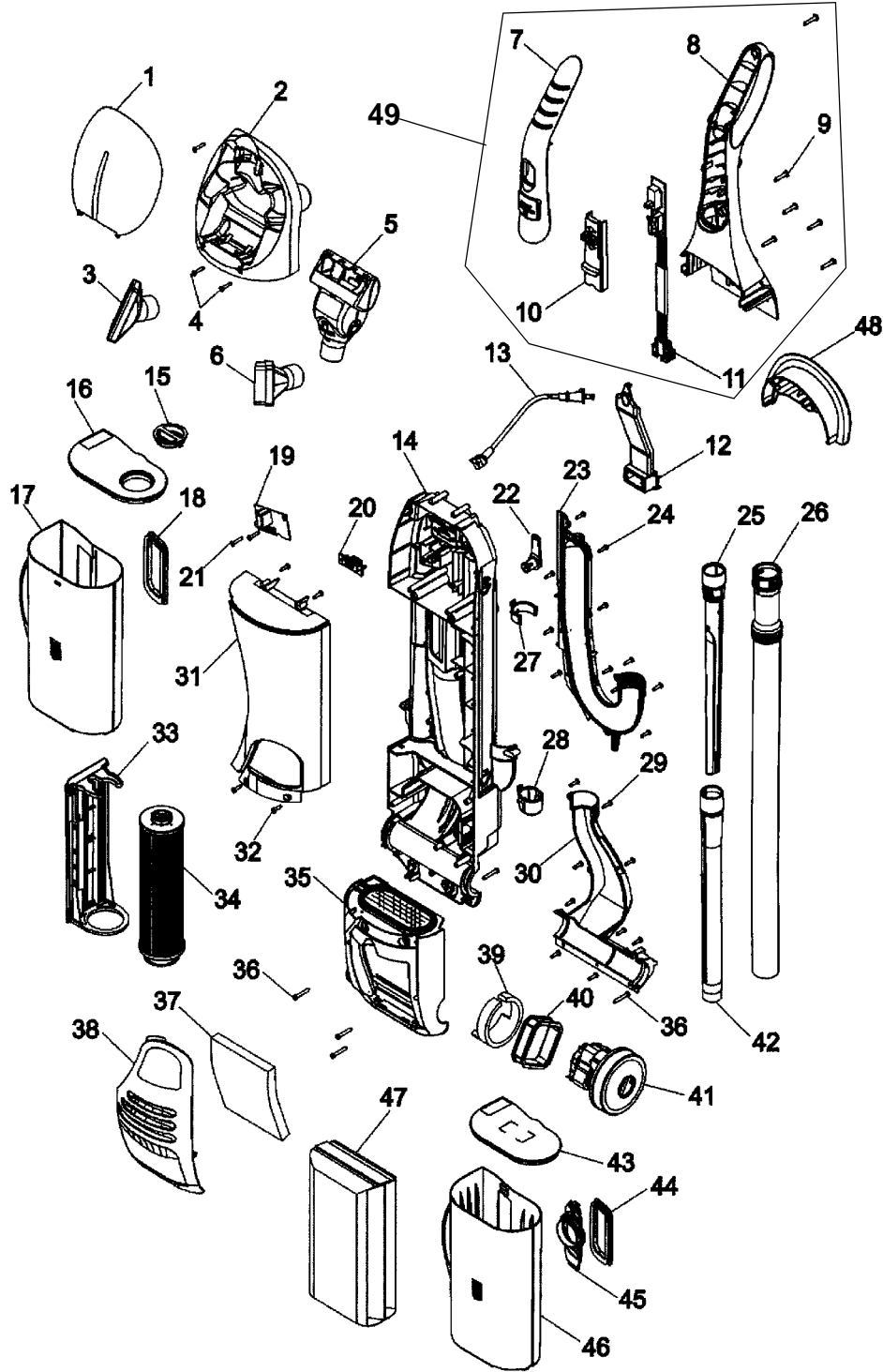
----- Manual continues below -----



SAVVY™  
2<sup>in</sup>1 BAGGED  
& BAGLESS

WindTunnel  
BAGGED & BAGLESS

### ASSEMBLY SCHEMATIC UPPER BODY



U8181-900  
U8187-900  
U8188-900  
UH40110



## PART LISTING

ITEM	PART NUMBER	MODELS TO FIT	PART DESCRIPTION
1	H-37257281	ALL	TOOL DOOR
2	H-36433178	U8181900	TOOL HOLDER - BLACK
	H-36433258	U8187900	TOOL HOLDER - ALUMINUM ALLOY
	H-36433261	U8188900	TOOL HOLDER - BRONZE ALLOY
	H-36433262	UH40110	TOOL HOLDER - SILVER
3	H-38614044	ALL	FURNITURE TOOL - GRAPHITE GRAY
	H-38614045	ALL	FURNITURE TOOL - BLACK
4	H-21447072	ALL	SCREW
5	H-49129032	ALL	TURBINE TOOL
6	H-43414197	ALL	DUSTING BRUSH ASSEMBLY - BLACK
7	H-92001057	ALL	UPPER HANDLE GRIP
8	H-92001052	U8181900	UPPER HANDLE ASSEMBLY <b>ORDER #49 48663238</b>
	H-91001209	ALL	UPPER HANDLE ASSEMBLY
9	H-214472ED	ALL	SCREW - SELF TAPPING
10	H-38421112 SEE NOTES	U8181900	SWITCH BUTTON - <b>OLD VERSION</b>
	H-91001211	ALL	SWITCH BUTTON - <b>NEW VERSION</b>
11	H-27854033 SEE NOTES	U8181900	SWITCH CURCUIT BOARD - <b>OLD VERSION</b> <b>ORDER 48663238 COMPLETE HANDLE ASSY</b>
	H-91001210	ALL	SWITCH CIRCUIT BOARD - <b>NEW VERSION</b>
12	H-36911006	ALL	CONNECTOR MOUNT
13	H-46383334	ALL	POWER CORD - 35'
14	H-92001053	ALL	HOUSING / PACK PANEL ASSEMBLY
	H-36433196	ALL	UPPER HOSE HOLDER - GRAPHITE GRAY
15	H-38411013	ALL	DIRT CUP LID KNOB
17	H-38775094	ALL	DIRT CUP
16	H-37249095	ALL	DIRT CUP LID
18	H-38783029	ALL	DIRT CUP INLET SEAL
19	H-91001035	ALL	CURCUIT BOARD
20	H-91001034	ALL	RECEPTACLE HARNESS
21	H-21447072	ALL	SCREW
22	H-39442048	ALL	CORD WRAP - MAGNESIUM GRAY
23	H-92001064	ALL	MICROPHONE / DIRT DUCT ASSEMBLY
24	H-21447242	ALL	SCREW - SELF TAPPING

U8181-900  
U8187-900  
U8188-900  
UH40110



## PART LISTING

ITEM	PART NUMBER	MODELS To FIT	PART DESCRIPTION
25	H-38617031	ALL	CREVICE TOOL - LONG GRAPHITE GRAY
	H-38617033	ALL	CREVICE TOOL - SHORT
26	H-43431227	ALL	HOSE ASSEMBLY COMPLETE - BLACK AND GRAPHITE GRAY
	H-43434042	ALL	EXTRA HOSE ASSEMBLY - 20'
27	H-36433197	U8181900	UPPER WAND HOLDER - GRAPHITE GRAY
	H-36433257	ALL	UPPER WAND HOLDER - SHADOW GRAY
28	H-36433194	ALL	LOWER WAND HOLDER - GRPAHITE GRAY
29	H-21447242	ALL	SCREW - SELF TAPPING
30	H-38683018	ALL	TRUNNION DUCT
31		U8181900	FRONT PANEL COVER - MULBERRY METALLIC <b>ORDER 37249036 - BLACK</b>
	H-37249099	U8187900	FRONT PANEL COVER - ALUMINUM ALLOY
	H-37246100	U8188900	FRONT PANEL COVER - BRONZE ALLOY
	H-37246101	UH40110	FRONT PANEL COVER - SILVER
32	H-21447242	ALL	SCREW - SELF TAPPING
33	H-36426069	ALL	PRE-FILTER SUPPORT ASSEMBLY - BLACK
34	H-40140201	ALL	HEPA CARTRIDGE FILTER - DIRT CUP
35	H-37196178	U8181900	MOTOR COVER - MULLBERRY METALLIC
	H-37196205	U8187900	MOTOR COVER - ALUMINUM ALLOY
	H-37196206	U8188900	MOTOR COVER - BRONZE ALLOY
	H-37196207	UH40110	MOTOR COVER - SILVER
36	H-21447230	ALL	SCREW - SELF TAPPING
37	H-93002017	ALL	FINAL / EXHAUST FILTER
	H-40110009	ALL	FINAL / EXHAUST FILTER - 2 PACK
38	H-38769017	ALL	FINAL / EXHAUST FILTER DOOR
39	H-34163016	ALL	FOAM MUFFLER - MOTOR
40	H-36322036	ALL	MOTOR MOUNT - MIDDLE
41	H-93001747	ALL	MOTOR ASSEMBLY
	H-38785018	ALL	MOTOR SEAL
	H-91001027	ALL	THERMAL PROTECTOR
42	H-38634078	ALL	EXTENSION TUBE
43	H-37249065	U8181900	BAG CONTAINER LID - GRAPHITE GRAY
	H-37249097	ALL	BAG CONTAINER LID
44	H-38783035	ALL	BAG CONTAINER INLET SEAL
45	H-36424005	ALL	BAG ADAPTOR
46	H-37256005	ALL	BAG CONTAINER - MIST GRAY TRANSPARENT

U8181-900  
U8187-900  
U8188-900  
UH40110



## PART LISTING

ITEM	PART NUMBER	MODELS TO FIT	PART DESCRIPTION
47	H-4010100Y	ALL	TYPE Y ALLERGY BAG - 3 PACK
	H-4010801Y	ALL	TYPE Y HEPA BAG - 2 PACK
48	H-36433196	ALL	UPPER HOSE HOLDER - GRAPHITE GRAY
49	H-39466086 SEE NOTES	U8181900	UPPER HANDLE ASSEMBLY COMPLETE - <b>OLD VERSION - ORDER #48663238</b>
	H-48663238	U8181900	UPPER HANDLE ASSEMBLY COMPLETE - NEW VERSION / INCLUDES #'S 7, 8, 10, AND 11 MFG CODE 06/06 TO PRESENT
	H-48663246	ALL	UPPER HANDLE ASSEMBLY COMPLETE
	H-91001032	U8181900	UPPER WIRE HARNESS

U8181-900

U8187-900

U8188-900

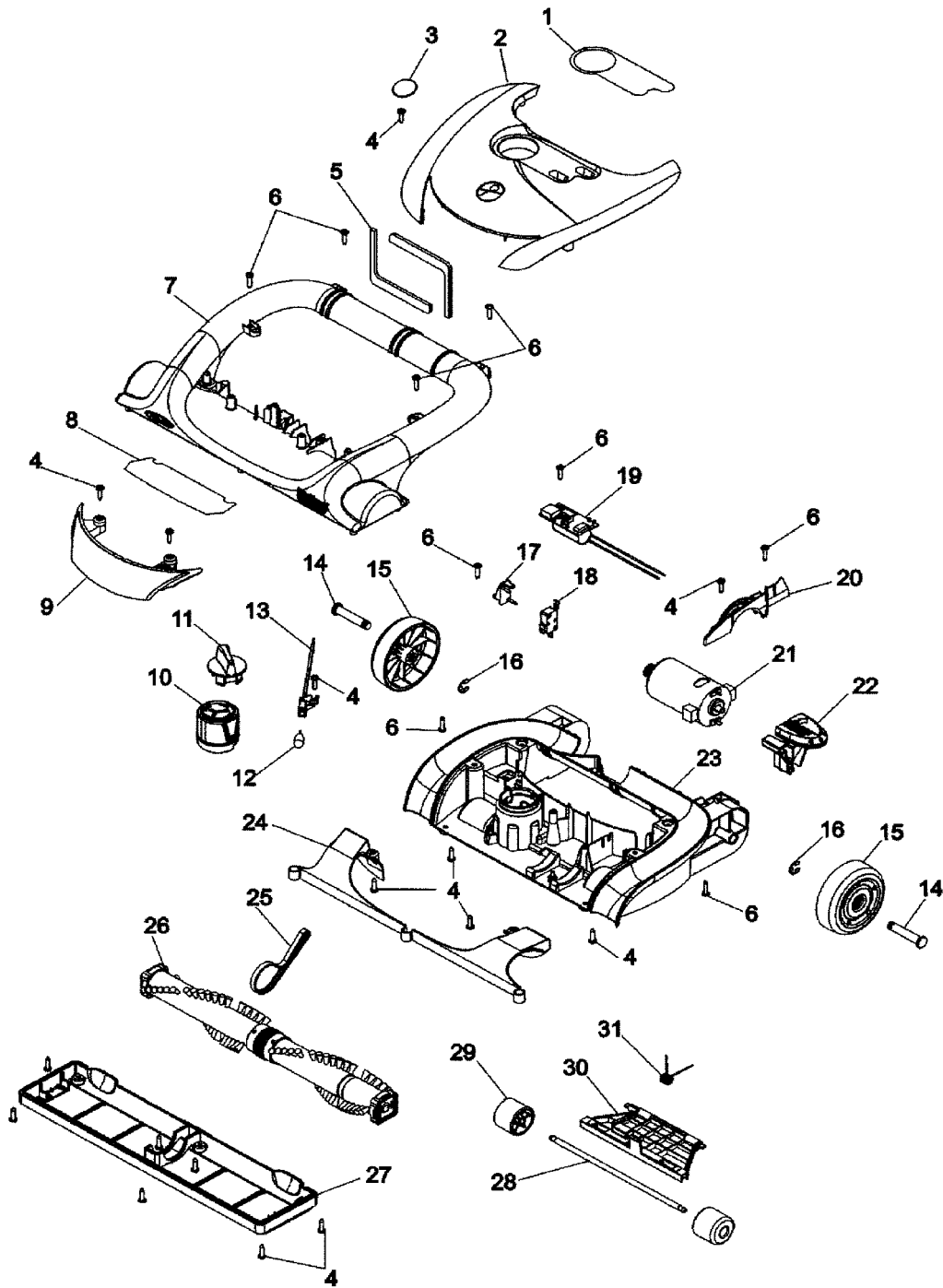
UH40110



SAVVY™  
2 IN 1 BAGGED  
& BAGLESS

WindTunnel  
BAGGED & BAGLESS

## ASSEMBLY SCHEMATIC FOOT / NOZZLE BASE



U8181-900  
U8187-900  
U8188-900  
UH40110



## PART LISTING

ITEM	PART NUMBER	MODELS TO FIT	PART DESCRIPTION
1	H-91001038	ALL	NAME PLATE
2	H-92001047	U8181900	HOOD / NOZZLE COVER - MULBERRY METALLIC
	H-37253A85	U8187900	HOOD / NOZZLE COVER - ALUMINUM ALLOY
	H-37253A86	U8188900	HOOD / NOZZLE COVER - BRONZE ALLOY
	H-37253A87	UH40110	HOOD / NOZZLE COVER - SILVER
3	H-51661020	ALL	MEDALLION
4	H-214793DA	ALL	SCREW
5	H-91001030	ALL	TRUNNION SEAL
6	H-21447242	ALL	SCREW - SELF TAPPING
7	H-92001042	U8181900	AGITATOR / BRUSH ROLL HOUSING
	H-42246155	U8187900, U8188900, UH40110	AGITATOR / BRUSH ROLL HOUSING
8	H-91001031	ALL	REFLECTOR
9	H-92001051	ALL	LENS
10	H-92001049	ALL	HEIGHT ADJUSTMENT KNOB
11	H-92001050	ALL	HEIGHT ADJUSTMENT CAM
12	H-27313107	ALL	BULB
13	H-47173037	ALL	LAMP SOCKET
14	H-32434014	ALL	REAR AXLE
15	H-92001287	U8181900	REAR WHEEL
	H-43247033	ALL	REAR WHEEL ASSEMBLY
16	H-160017	ALL	LOCK RING
17	H-36913031	ALL	SWITCH BRACKET
18	H-91001026	ALL	SWITCH
19	H-91001036	ALL	DISPLAY BRIDGE PCB
20	H-92001040	ALL	MOTOR BRACKET
21	H-93001746	ALL	AGITATOR / BRUSH ROLL MOTOR
22	H-38434026	ALL	HANDLE RELEASE LEVER
23	H-92001041	U8181900	MAIN BODY / NOZZLE BASE
	H-37241186	ALL	MAIN BODY / NOZZLE BASE
24	H-92001074	ALL	NOZZLE LINER
25	H-38528049	ALL	TIMING BELT
26	H-93001748	ALL	AGITATOR / BRUSH ROLL
27	H-92001039	ALL	BOTTOM PLATE / NOZZLE GUARD
28	H-32541007	ALL	WHEEL SHAFT

U8181-900  
U8187-900  
U8188-900  
UH40110



## PART LISTING

ITEM	PART NUMBER	MODELS TO FIT	PART DESCRIPTION
29	H-38521009	U8181900	FRONT WHEEL
	H-38522105	ALL	FRONT WHEEL - SOFT TREAD
30	H-91001066	U8181900	FRONT WHEEL CARRIAGE ASSEMBLY
	H-43248076	ALL	FRONT WHEEL CARRIAGE ASSEMBLY
31	H-38355010	U8181900	TORSION SPRING
	H-91001033	U8181900	LOWER WIRE HARNESS

U8181-900  
U8187-900  
U8188-900  
UH40110