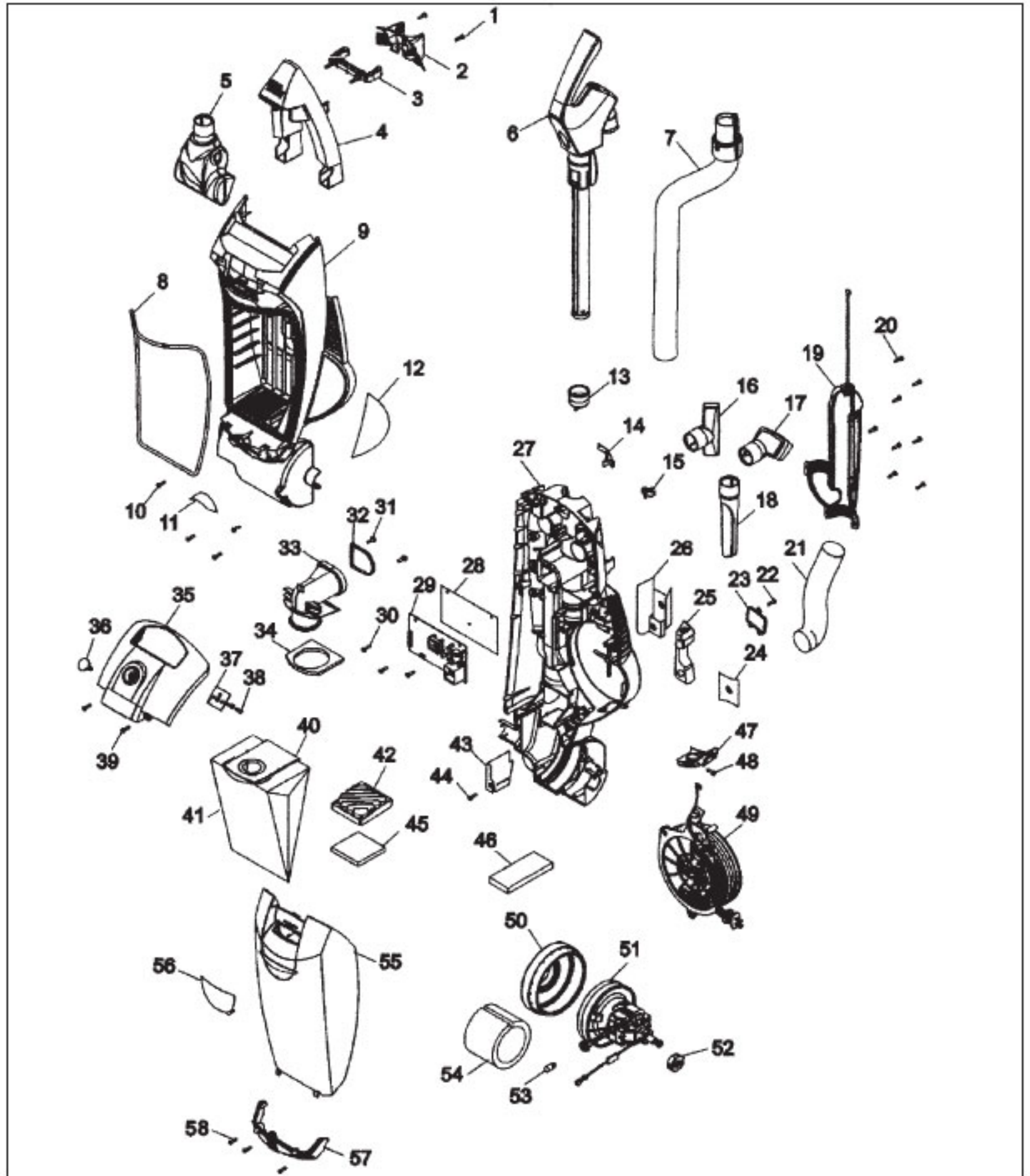


HOOVER Original

WINDTUNNEL 2 – Paper Bag Models
Models U8311-900 & U8315-960 Shown



Original **HOOVER**

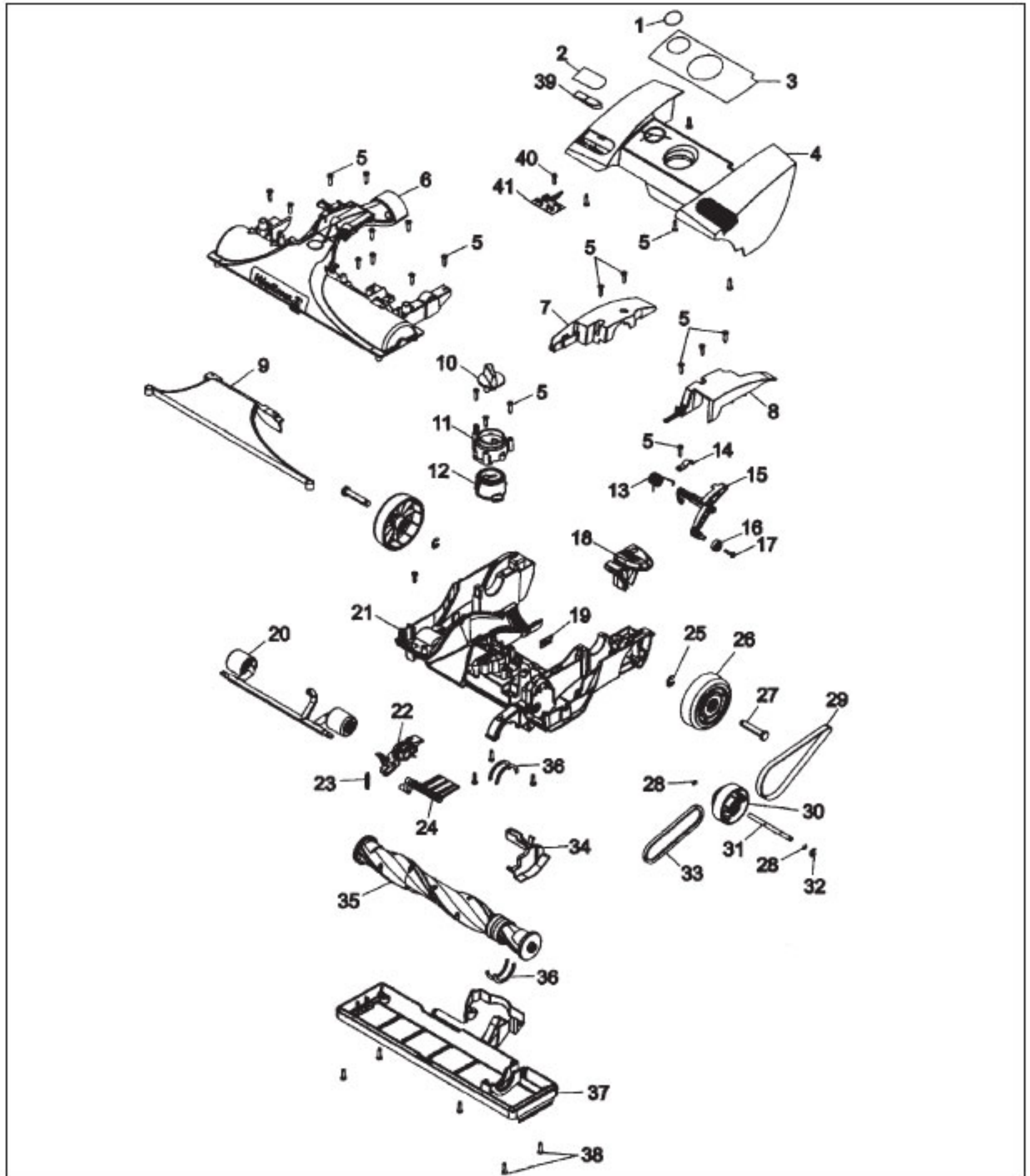
WINDTUNNEL 2 – Paper Bag Models
Models U8311-900 & U8315-960 Shown

KEY	PART NO.	DESCRIPTION
1	H-21447242	Screw
2	H-91001121	Outer Latch
3	H-91001139	Inner Latch
4	H-91001154	Handle
5	H-49129039	Turbine Hand Tool
6	H-48642100	Upper Handle/Wand Ass'y
7	H-43431232	Hose
8	H-38781107	Bag Door Seal
9	H-37255042	Bag Housing
10	H-21447242	Screw
11	H-91001151	Reflector
12	H-51639209	Cord Reel Nameplate
13	H-92001290	Wand Retainer
14	H-91001117	Hose Clip
15	H-36172039	Cord Clip
16	H-92001196	Furniture Nozzle
17	H-92001195	Dusting Brush Ass'y
18	H-92001194	Crevice Tool
19	H-47823014	Micro/Duct
20	H-21447242	Screw
21	H-91001177	Lower Hose
22	H-21447242	Screw
23	H-37257317	Filter Cover Plate
24	H-36913045	Insulator
25	H-38422134	Cord Reel Lever
26	H-36913044	Wire Insulator
27	H-37255041	Bag Housing
28	H-91001123	Insulator
29	H-46851065	Power PCB Board
30	H-21447242	Screw

KEY	PART NO.	DESCRIPTION
31	H-91001104	Screw
32	H-38781108	Seal Dirt Duct Upper
33	H-38643024	Dirt Duct
34	H-38785027	Dirt Duct Gasket
35	H-37246163	Control Panel
36	H-90001353	Power Button
37	H-91001163	Switch
38	H-21447242	Screw
39	H-21447242	Screw
40	H-36425086	Bag Mounting Plate
41	H-401010W2	Paper Bag Style W2 3 Pk
42	H-38765029	Secondary Filter Retainer
43	H-36913046	Wire Insulator
44	H-21447242	Screw
45	H-38765031	Secondary Filter
46	H-38765030	Final Filter
47	H-37258202	Cord Catch
48	H-21447242	Screw
49	H-46833002	Cord Reel
50	H-91001148	Motor Seal
51	H-91001108	Motor Ass'y
52	H-36322030	Motor Mount
53	H-27313107	Bulb
54	H-91001152	Foam Muffler
55	H-37254273	Bag Door
56	H-51632019	Bag Door Nameplate
57	H-39383141	Lens
58	H-21447228	Screw

HOOVER Original

WINDTUNNEL 2 – Paper Bag Models
Models U8311-900 & U8315-960 Shown



Original **HOOVER**

WINDTUNNEL 2 – Paper Bag Models
Models U8311-900 & U8315-960 Shown

KEY	PART NO.	DESCRIPTION
1	H-51661020	Medallion
2	H-51464005	EDF Label
3	H-91001169	Hood Nameplate
4	H-91001131	Hood
5	H-21447242	Screw
6	H-92001286	Agitator Housing
7	H-91001111	Trunnion Cover Right
8	H-91001112	Trunnion Cover Left
9	H-37243065	Nozzle Liner
10	H-91001134	Height Adjustment Knob
11	H-91001138	Height Adjustment Cam
12	H-91001122	Cam Holder
13	H-38356014	Torsion Spring
14	H-91001116	Actuator Arm
15	H-91001136	Idler Pulley Arm
16	H-91001105	Bearing
17	H-91001103	Screw
18	H-38434026	Handle Release Lever
19	H-91001165	PCB
20	H-91001159	Front Wheel Ass'y
21	H-91001156	Main Body Ass'y
22	H-42246150	Valve Arm

KEY	PART NO.	DESCRIPTION
23	H-38331006	Spring
24	H-91001142	Valve Door
25	H-160017	Lock Ring
26	H-92001287	Rear Wheel
27	H-32434007	Rear Axle
28	H-91001106	Retaining Ring
29	H-91001137	Poly V Belt
30	H-91001158	Transfer Pulley
31	H-91001110	Transfer Pulley Shaft
32	H-91001107	Retaining Ring
33	H-38528034	V Belt
34	H-91001128	Belt Cover
35	H-48414069	Brushroll
36	H-38781053	Agitator Pulley Seal
37	H-91001157	Bottom Plate
38	H-17001FW	Screw
39	H-39383137	EDF Lens
40	H-17001FW	Screw
41	H-46851060	EDF Circuit Board