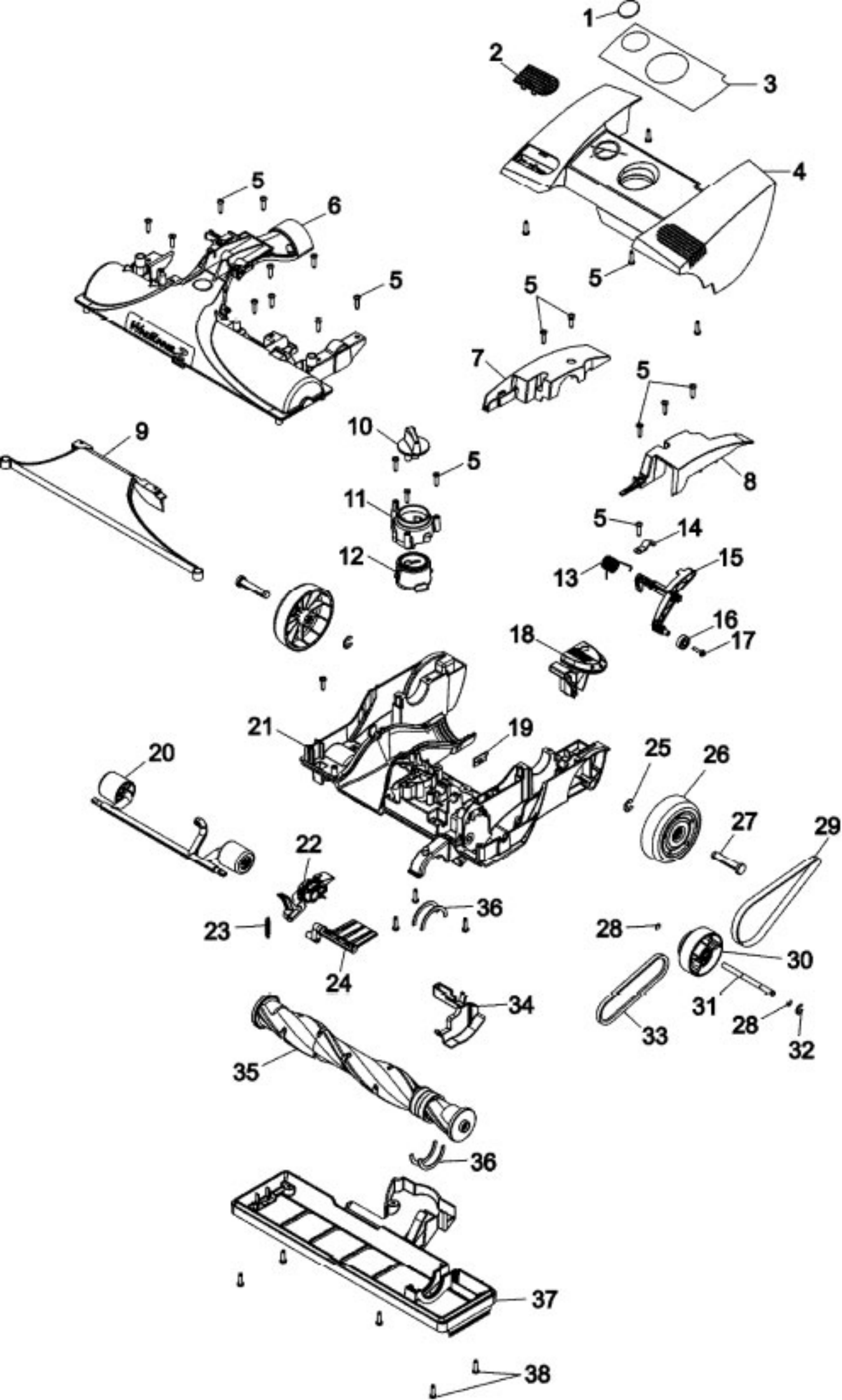


Model Number: U8347900
BOM/Serial #: U8347900
Graphic Title: UPPER HOUSING ASSEMBLY

Image	Key	Part Number	Description	Substitution	Qty.
1	1	91001184	UPPER HNDL/WAND ASY-RED		1
1	2	92001194	CREVICE TOOL-AG		1
1	3	92001195	DUSTING BRUSH ASY-AG		1
1	4	92001196	FURNITURE NOZZLE-AG		1
1	5	91001160	HOSE ASSY.		1
1	6	91001117	HOSE CLIP		1
1	7	91001153	CORD WRAP		1
1	8	46383331	CORD-35'	46383334	1
1	9	36215028	CORD PROTECTOR-WTBGL		1
1	10	92001290	WAND RETAINER-AG		1
1	11	21447242	SCREW-SELF TAPPING		2
1	12	91001121	REL LTCH/WAND RET-MV		1
1	13	91001139	WAND REL LATCH-AHB		1
1	14	91001154	HANDLE - UPPER - MV		1
1	15	21447242	SCREW-SELF TAPPING		2
1	16	92001291	UPPER HOUSING-MV		1
1	17	91001177	LOWER HOSE		1
1	18	91001185	TURBINE HAND TOOL		1
1	19	91001113	WIRE COVER		1
1	20	91001123	INSULATOR		1
1	21	91001164	POWER PCB BOARD		1
1	22	21447242	SCREW-SELF TAPPING		3
1	23	91001150	LENS, DIRT		1
1	24	21447228	SCREW-SELF-TAPPING		2
1	25	38769032	FINAL FILTER		1
1	26	21447242	SCREW-SELF TAPPING		4
1	27	91001125	MOTOR COVER - MV		1
1	28	91001178	LEAD WIRE TIE		1
1	29	91001152	FOAM MUFFLER		1
1	30	27313107	BULB		1
1	31	36322030	MOTOR MOUNT-SMALL		1
1	32	91001108	MOTOR ASSY.		1
1	33	91001148	MOTOR SEAL - AG		1
1	34	91001141	DIRT DUCT COVER		1
1	35	21447242	SCREW-SELF TAPPING		9

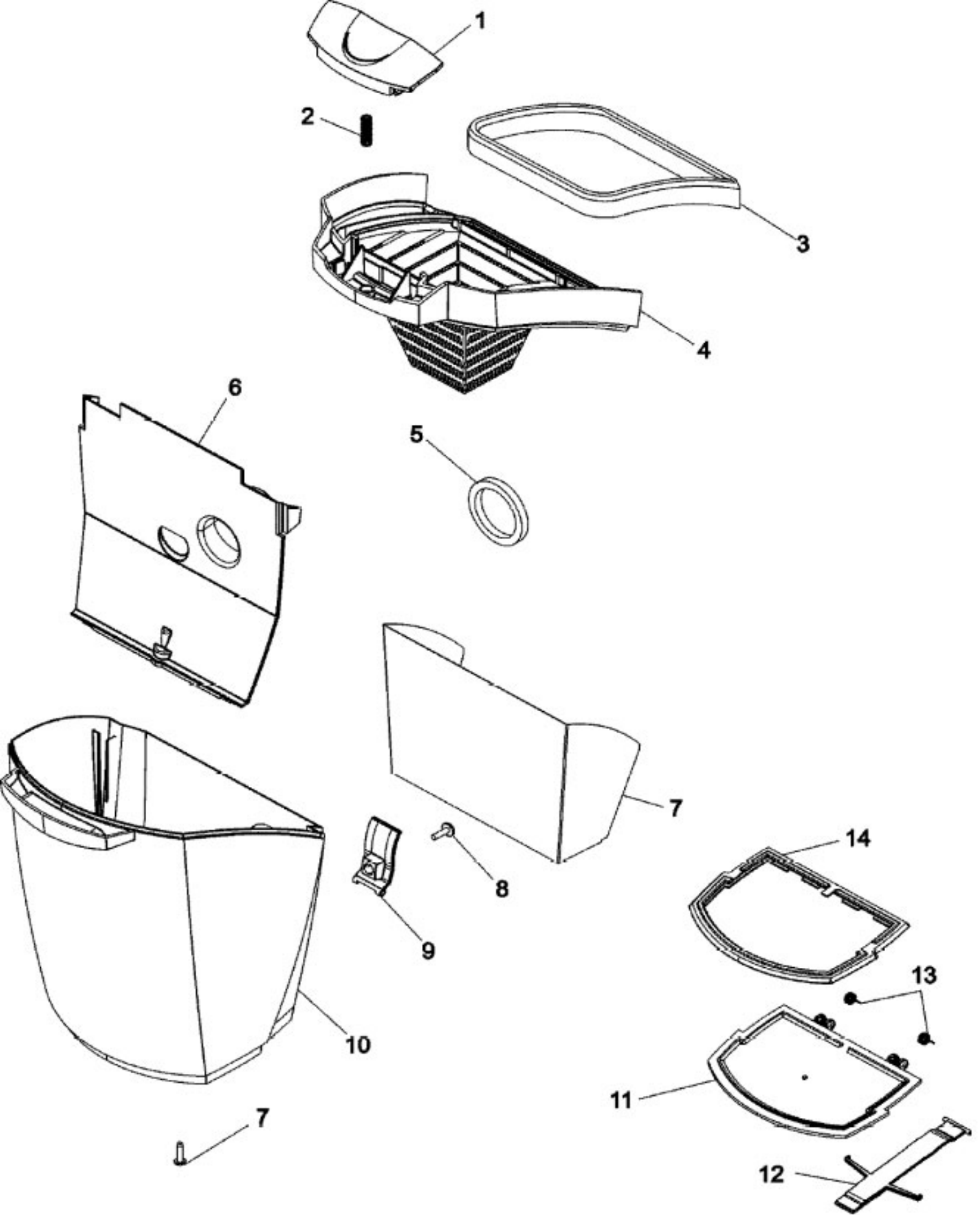
Image	Key	Part Number	Description	Substitution	Qty.
1	36	91001162	WIRE HARNESS		1
1	37	56511C48	MANUAL, OWNERS		1



Model Number: U8347900
BOM/Serial #: U8347900
Graphic Title: FOOT ASSEMBLY

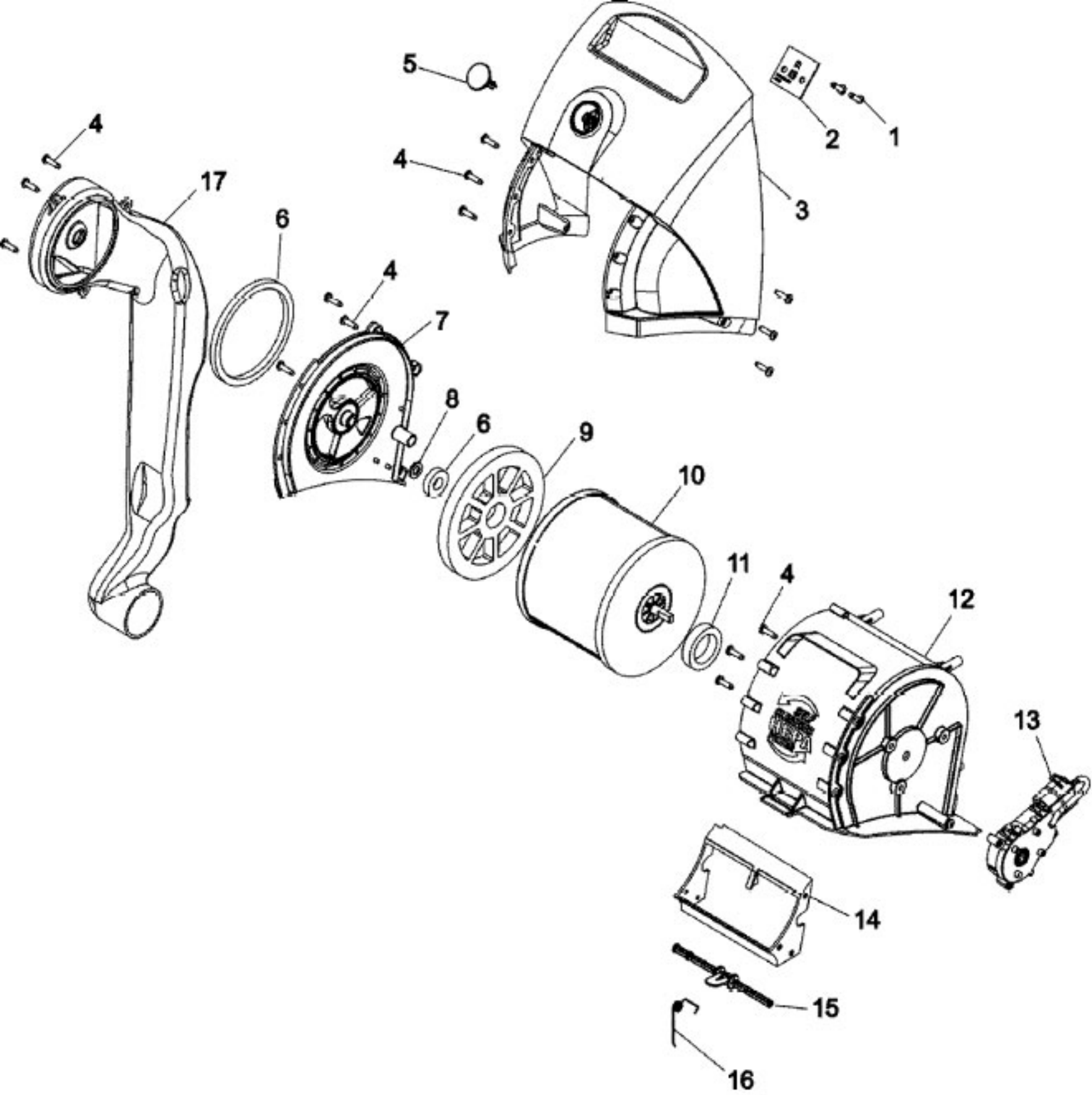
Image	Key	Part Number	Description	Substitution	Qty.
1	1	51661020	MEDALLION		1
1	2	91001127	NON-EDF COVER		1
1	3	91001169	HOOD NAMEPLATE		1
1	4	91001131	HOOD - STD		1
1	5	21447242	SCREW-SELF TAPPING		26
1	6	92001286	AGITATOR HSG-CP(SPLIT)		1
1	7	91001111	TRUNNION COVER-R-MV(SPLIT)		1
1	8	91001112	TRUNNION COVER-L-MV(SPLIT)		1
1	9	91001179	NOZZLE LINER-AJZ		1
1	10	91001134	HEIGHT ADJ KNOB-AHB		1
1	11	91001138	HEIGHT ADJ CAM-AG		1
1	12	91001122	CAM HOLDER - AG		1
1	13	38356014	TORSION SPRING		1
1	14	91001116	ACTUATOR ARM TRUN		1
1	15	91001136	IDLER PULLEY ARM-AG		1
1	16	91001105	BEARING		1
1	17	91001103	SCREW-TAPPING		1
1	18	38434026	HANDLE RELEASE LEVER-AG		1
1	19	91001165	PCB HALL ASSY.		1
1	20	91001159	FRONT AXLE ASSY.		1
1	21	91001156	MAIN BODY ASSY.		1
1	22	42246150	AGIT HSG/VALVE ARM		1
1	23	38331006	SPRING-TURBINE ACT		1
1	24	91001142	VALVE DOOR - AG		1
1	25	160017--	LOCK RING		2
1	26	92001287	REAR WHEEL W/TREAD		2
1	27	32434007	REAR AXLE		2
1	28	91001106	RETAINING RING		2
1	29	91001137	POLY V-BELT		1
1	30	91001158	TRANSFER PULLEY		1
1	31	91001110	TRANSFER PULLEY SHAFT		1
1	32	91001107	RETAINING RING		1
1	33	38528034	V-BELT		1
1	34	91001128	BELT COVER - AG		1
1	35	91001166	AGITATOR ASSY.		1

Image	Key	Part Number	Description	Substitution	Qty.
1	36	38781053	AGITATOR PULLEY SEAL		1
1	37	91001157	BTTM PLT/GUARD ASY		1
1	38	017001FW	SCREW		5



Model Number: U8347900
BOM/Serial #: U8347900
Graphic Title: DIRT CUP ASSEMBLY

Image	Key	Part Number	Description	Substitution	Qty.
1	1	91001115	DIRT CUP LATCH		1
1	2	90001037	SPRING		1
1	3	92001288	GASKET LID-DIRT CUP		1
1	4	91001182	DIRT CUP LID-AJZ		1
1	5	91001147	GASKETS		1
1	6	91001144	DIRT CUP PARTITION		1
1	7	92001289	INSERT-DIRT CUP		1
1	8	21447242	SCREW-SELF TAPPING		2
1	9	91001135	DIRT CUP DR ACT-AHB		1
1	10	91001145	DIRT CUP - BZ		1
1	11	91001130	DIRT CUP DOOR - M		1
1	12	91001114	DIRT CP DR LATCH-AG		1
1	13	91001176	TORSION SPRING		2
1	14	91001149	DIRT CP DR GASKET		1



Model Number: U8347900
BOM/Serial #: U8347900
Graphic Title: FILTER ASSEMBLY

Image	Key	Part Number	Description	Substitution	Qty.
1	1	21447242	SCREW-SELF TAPPING		2
1	2	91001163	ON/OFF SWITCH		1
1	3	91001132	CARRY HANDLE CO		1
1	4	017001FW	SCREW		15
1	5	90001353	POWER BUTTON		1
1	6	91001147	GASKETS		1
1	7	12002819	KIT, FILTER U8347-51		1
1	8	91001171	THRUST WASHER		1
1	9	91001172	FILTER GASKET		1
1	10	12002819	KIT, FILTER U8347-51		1
1	11	91001173	FILTER SPRING GASKET		1
1	12	91001181	FILTER HOUSING-AKA		1
1	13	91001109	PRIMARY FILTER TRANS		1
1	14	91001143	FILTER PARTITION		1
1	15	91001155	FILTER FLICKER		1
1	16	91001175	TORSION SPRING-FLICKER		1
1	17	91001140	CLEAN AIR DUCT		1