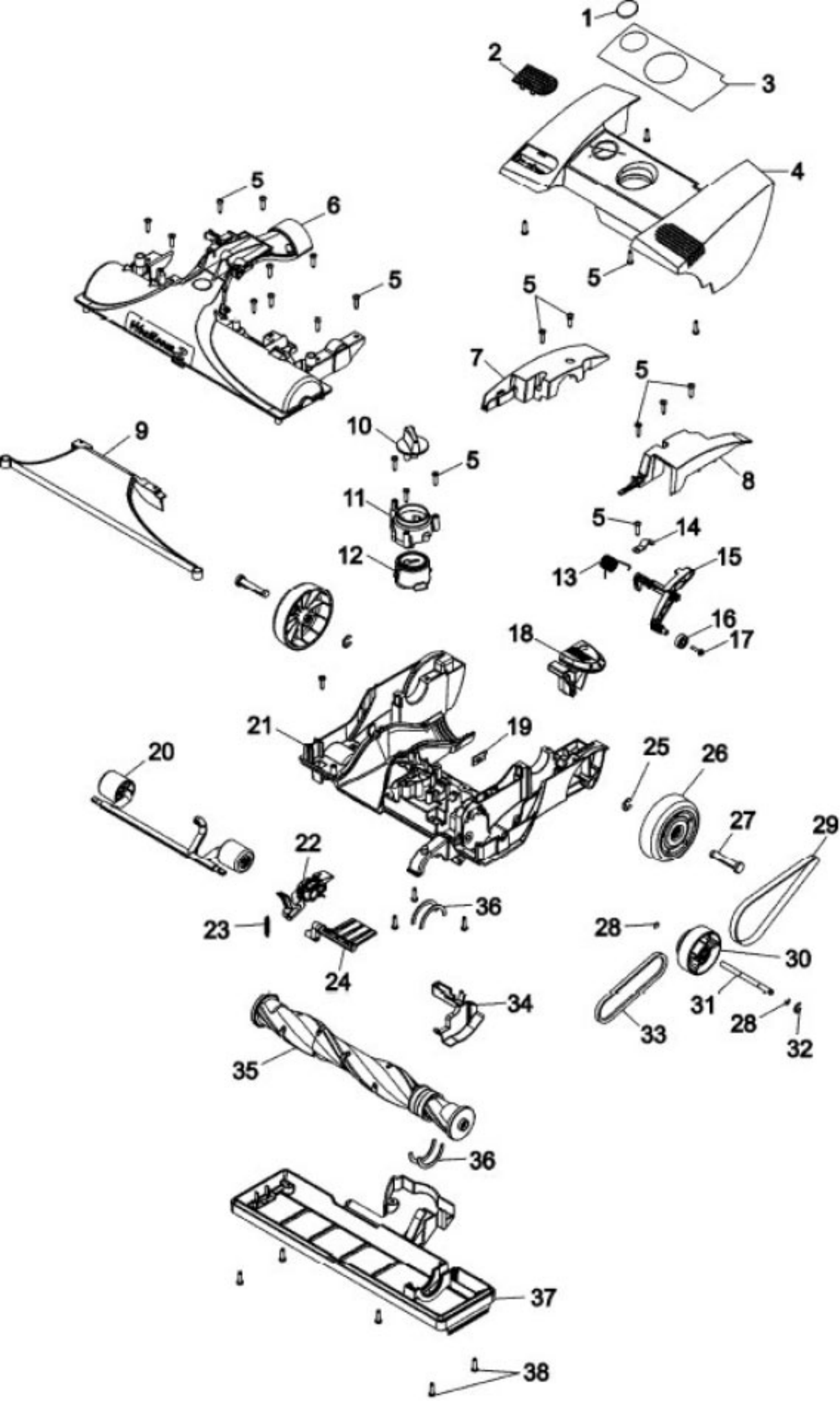


Item	Part Number	Part Description	Alt Part	Series	Qty
1	91001184	UPPER HNDL/WAND ASY-RED		10	1
2	92001194	CREVICE TOOL-AG		10	1
3	92001195	DUSTING BRUSH ASY-AG		10	1
4	92001196	FURNITURE NOZZLE-AG		10	1
5	91001160	HOSE ASSY.		10	1
	43434275	HOSE ASSEM-BONUS		10	1
6	91001117	HOSE CLIP		10	1
7	91001153	CORD WRAP		10	1
8	46383331	CORD-35'	46383334	10	1
9	36215028	CORD PROTECTOR-WTBGL		10	1
10	92001290	WAND RETAINER-AG		10	1
11	21447242	SCREW-SELF TAPPING		10	2
12	91001121	REL LTCH/WAND RET-MV		10	1
13	91001139	WAND REL LATCH-AHB		10	1
14	91001154	HANDLE - UPPER - MV		10	1
15	21447242	SCREW-SELF TAPPING		10	2
16	92001291	UPPER HOUSING-MV		10	1
17	91001177	LOWER HOSE		10	1
18	91001185	TURBINE HAND TOOL		10	1
	91001186	BARE FLOOR BRUSH	59156137	10	1
19	91001113	WIRE COVER		10	1
20	91001123	INSULATOR		10	1
21	91001164	POWER PCB BOARD		10	1
22	21447242	SCREW-SELF TAPPING		10	3
23	91001150	LENS, DIRT		10	1
24	21447228	SCREW-SELF-TAPPING		10	2
25	38769032	FINAL FILTER		10	1
26	21447242	SCREW-SELF TAPPING		10	4
27	91001125	MOTOR COVER - MV		10	1
28	91001178	LEAD WIRE TIE		10	1
29	91001152	FOAM MUFFLER		10	1
30	27313107	BULB		10	1
31	36322030	MOTOR MOUNT-SMALL		10	1
32	91001108	MOTOR ASSY.		10	1
33	91001148	MOTOR SEAL - AG		10	1
34	91001141	DIRT DUCT COVER		10	1
35	21447242	SCREW-SELF TAPPING		10	9
36	91001162	WIRE HARNESS		10	1
37	56511C48	MANUAL, OWNERS		10	1

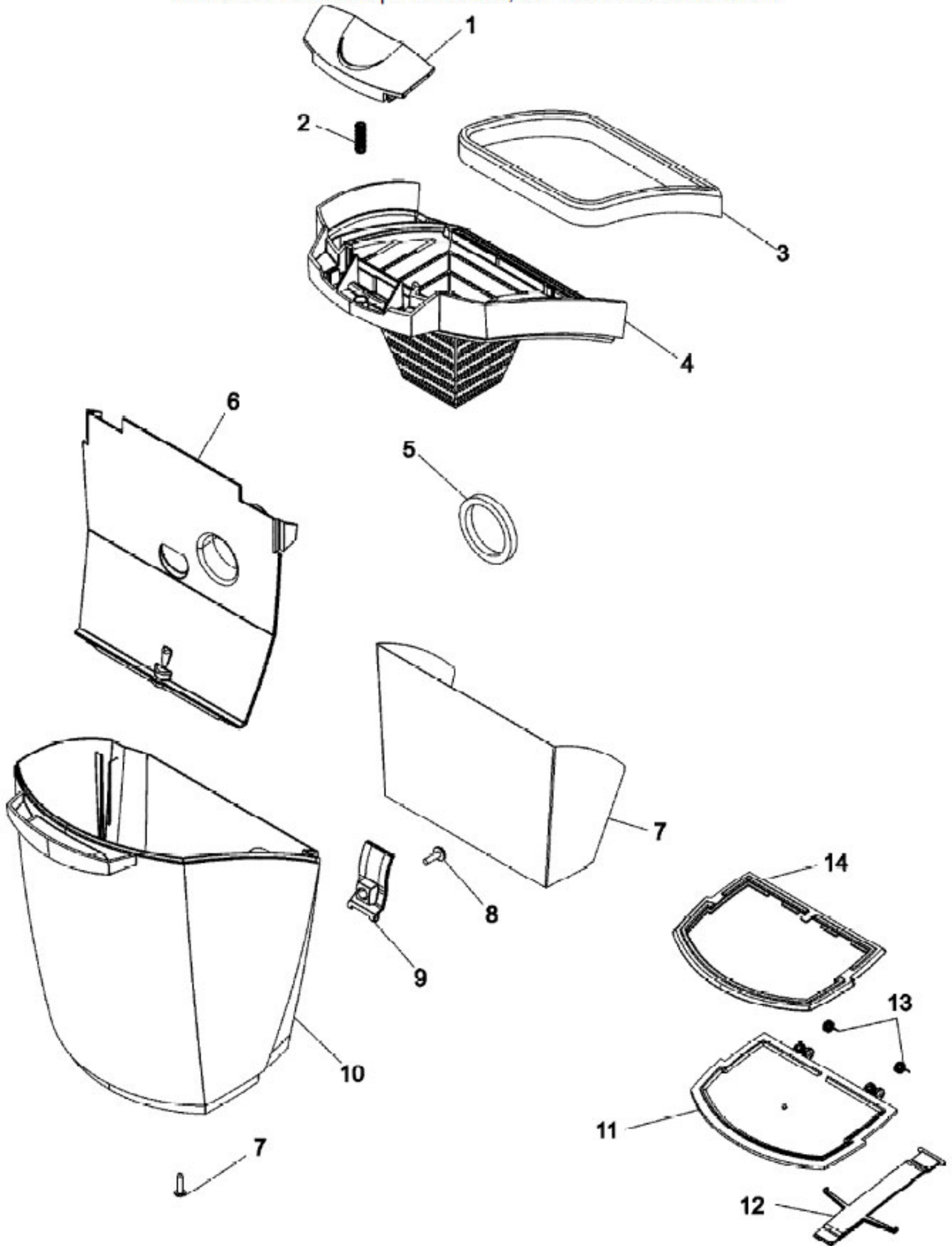


Illustrated Parts Lookup

Parts for MAYTAG Model "U8351900", Image Section "03 - FOOT ASSEMBLY"

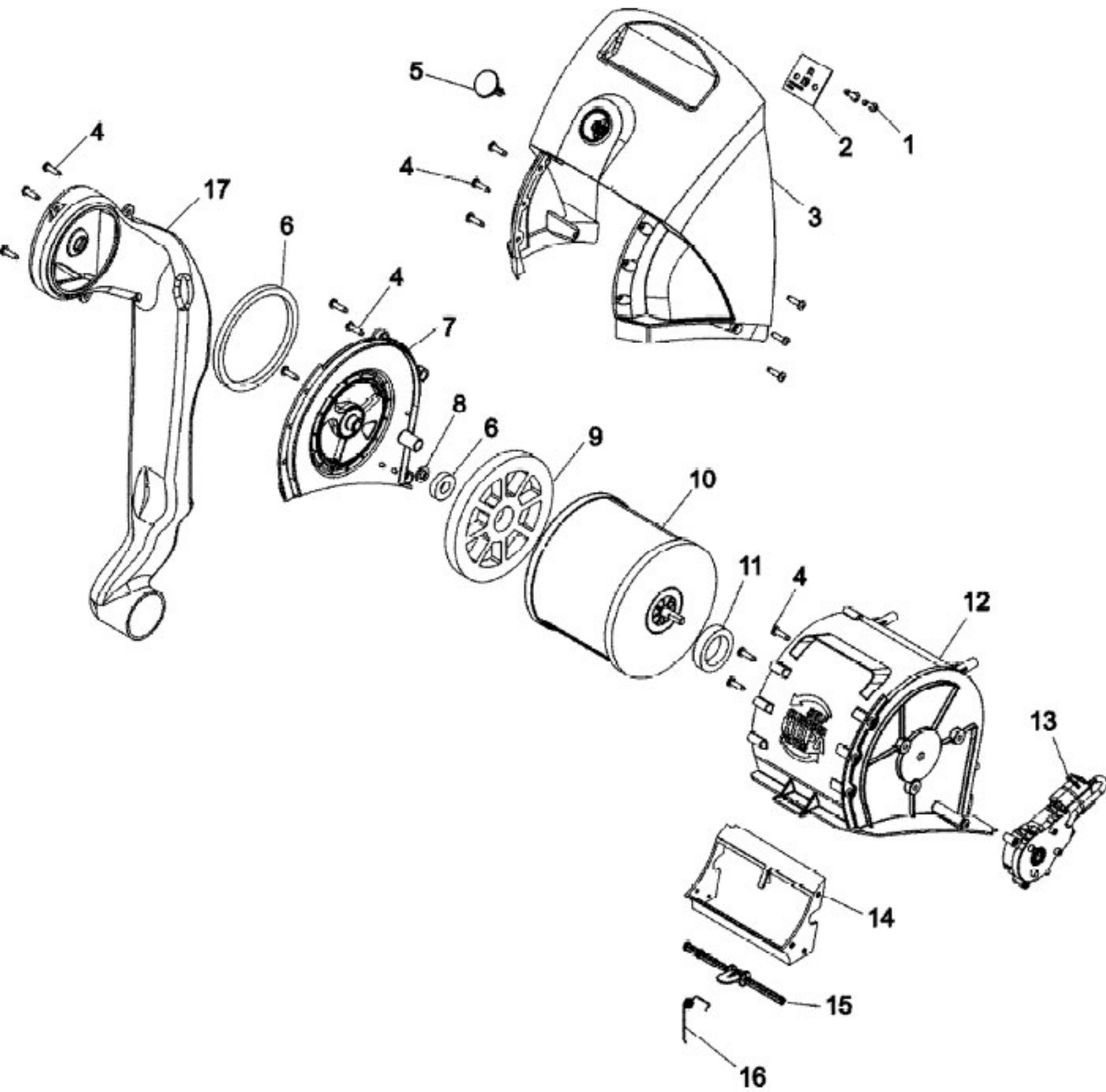
Item	Part Number	Part Description	Alt Part	Series	Qty
1	51661020	MEDALLION		10	1
2	91001127	NON-EDF COVER		10	1
3	91001169	HOOD NAMEPLATE		10	1
4	91001131	HOOD - STD		10	1
5	21447242	SCREW-SELF TAPPING		10	26
6	92001286	AGITATOR HSG-CP(SPLIT)		10	1
7	91001111	TRUNNION COVER-R-MV(SPLIT)		10	1
8	91001112	TRUNNION COVER-L-MV(SPLIT)		10	1
9	91001179	NOZZLE LINER-AJZ		10	1
10	91001134	HEIGHT ADJ KNOB-AHB		10	1
11	91001138	HEIGHT ADJ CAM-AG		10	1
12	91001122	CAM HOLDER - AG		10	1
13	38356014	TORSION SPRING		10	1
14	91001116	ACTUATOR ARM TRUN		10	1
15	91001136	IDLER PULLEY ARM-AG		10	1
16	91001105	BEARING		10	1
17	91001103	SCREW-TAPPING		10	1
18	38434026	HANDLE RELEASE LEVER-AG		10	1
19	91001165	PCB HALL ASSY.		10	1
20	91001159	FRONT AXLE ASSY.		10	1
21	91001156	MAIN BODY ASSY.		10	1
22	42246150	AGIT HSG/VALVE ARM		10	1
23	38331006	SPRING-TURBINE ACT		10	1
24	91001142	VALVE DOOR - AG		10	1
25	160017-	LOCK RING		10	2
26	92001287	REAR WHEEL W/TREAD		10	2
27	32434007	REAR AXLE		10	2
28	91001106	RETAINING RING		10	2
29	91001137	POLY V-BELT		10	1
30	91001158	TRANSFER PULLEY		10	1
31	91001110	TRANSFER PULLEY SHAFT		10	1
32	91001107	RETAINING RING		10	1
33	38528034	V-BELT		10	1
34	91001128	BELT COVER - AG		10	1
35	91001166	AGITATOR ASSY.		10	1
36	38781053	AGITATOR PULLEY SEAL		10	1
37	91001157	BTTM PLT/GUARD ASY		10	1
38	017001FW	SCREW		10	5

Illustrated Parts Lookup - U8351900, 01 - DIRT CUP ASSEMBLY



Item	Part Number	Part Description	Alt Part	Series	Qty
1	91001115	DIRT CUP LATCH		10	1
2	90001037	SPRING		10	1
3	92001288	GASKET LID-DIRT CUP		10	1
4	91001182	DIRT CUP LID-AJZ		10	1
5	91001147	GASKETS		10	1
6	91001144	DIRT CUP PARTITION		10	1
7	92001289	INSERT-DIRT CUP		10	1
8	21447242	SCREW-SELF TAPPING		10	2
9	91001135	DIRT CUP DR ACT-AHB		10	1
10	91001183	DIRT CUP-BZ X REACH		10	1
11	91001130	DIRT CUP DOOR - M		10	1
12	91001114	DIRT CP DR LATCH-AG		10	1
13	91001176	TORSION SPRING		10	2
14	91001149	DIRT CP DR GASKET		10	1

Illustrated Parts Lookup - U8351900, 02 - FILTER ASSEMBLY



Item	Part Number	Part Description	Alt Part	Series	Qty
1	21447242	SCREW-SELF TAPPING		10	2
2	91001163	ON/OFF SWITCH		10	1
3	91001132	CARRY HANDLE CO		10	1
4	017001FW	SCREW		10	15
5	90001353	POWER BUTTON		10	1
6	91001147	GASKETS		10	1
7	12002819	KIT, FILTER U8347-51		10	1
8	91001171	THRUST WASHER		10	1
9	91001172	FILTER GASKET		10	1
10	12002819	KIT, FILTER U8347-51		10	1
11	91001173	FILTER SPRING GASKET		10	1
12	91001181	FILTER HOUSING-AKA		10	1
13	91001109	PRIMARY FILTER TRANS		10	1
14	91001143	FILTER PARTITION		10	1
15	91001155	FILTER FLICKER		10	1
16	91001175	TORSION SPRING-FLICKER		10	1
17	91001140	CLEAN AIR DUCT		10	1