

This Owner's Manual is provided and hosted by [Appliance Factory Parts](#).



HOOVER U9145-900 Owner's Manual

[Shop genuine replacement parts for HOOVER
U9145-900](#)



[Find Your HOOVER Vacuum Cleaner Parts - Select From 1456 Models](#)

----- Manual continues below -----

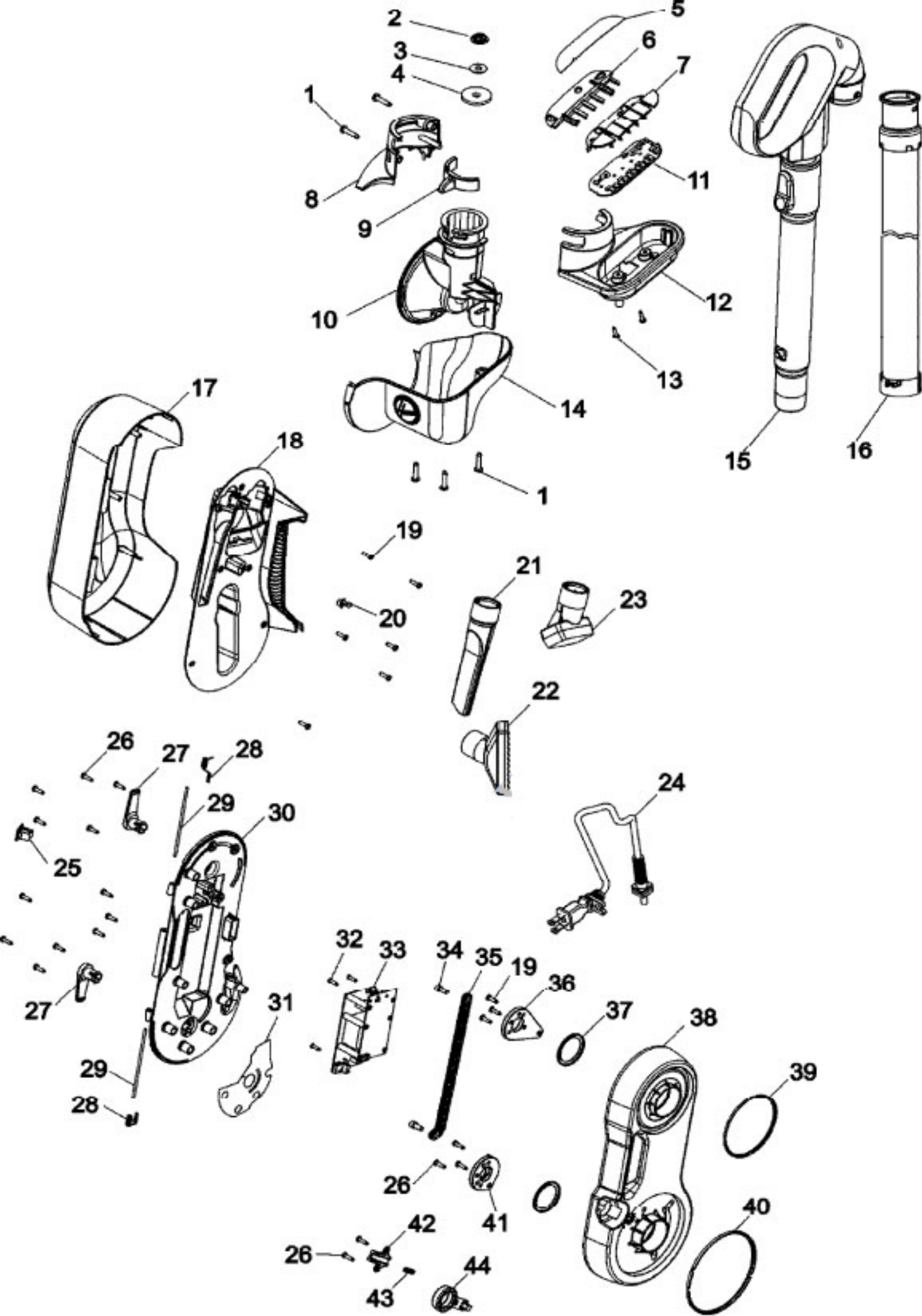


Image	Key	Part Number	Description	Substitution	Qty.
1	1	92001172	SCREW #8-3/4-FW		5
1	2	92001173	NUT - SELF THREADING		1
1	3	21312829	WASHER		1
1	4	92001174	SEAL-UPR HNDL SUPPORT		1
1	5	92001175	CONTROL PANEL OVERLAY		1
1	6	92001176	CNTRL PNL DISP SUPP		1
1	7	92001177	SWITCH CAP - TRIMMED		1
1	7	92001236	WIRE HARN-NZZL SIGNAL		1
1	7	92001235	WIRE HARN - PANEL		1
1	8	92001182	CNTRL PNL HSNG-RH-AFH		1
1	9	92001178	LATCH-UPPER HANDLE		1
1	10	92001180	UPPR HNDL PVT SUPPT		1
1	11	92001179	PCB-CNTRL PANEL ASY		1
1	12	92001181	CNTRL PNL HSNG-LH-AFH		1
1	13	21447239	SCREW		2
1	14	92001232	MEDALLION		1
1	14	92001183	CNTRL PNL BTM COVER		1
1	15	92001187	UPPR HNDLWAND ASY		1
1	16	92001188	HOSE ASSEMBLY		1
1	17	92001185	STORAGE DOOR-AFH		1
1	18	92001186	STORAGE DOOR INSERT		1
1	19	017001FW	SCREW		9
1	20	92001192	DOOR LATCH - MALE		1
1	21	92001194	CREVICE TOOL-AG		1
1	22	92001196	FURNITURE NOZZLE-AG		1
1	23	92001195	DUSTING BRUSH ASY-AG		1
1	24	92001197	ATTACH CORD - 35		1
1	25	92001193	DOOR LATCH - FEMALE		1
1	26	21447235	SCREW SELF TAPPING		17
1	27	92001199	CORD WRAP-ADA		2
1	28	92001198	DOOR SPRINGS-TOP, BOT		1
1	29	92001200	HINGE PIN		2
1	30	92001189	UPPR PVT MIDPLATE		1
1	31	92001241	INSULATOR		1
1	32	21447233	SCREW-F5411		3

Image	Key	Part Number	Description	Substitution	Qty.
1	33	92001201	PCB - POWER/MICRO ASSY		1
1	34	92001205	PVT RETAINER PIN		2
1	35	92001208	UPPER PIVOT ROD		1
1	37	92001204	PVT RETAINER - UPPER		2
1	38	92001184	UPPR PVT HSNQ		1
1	39	92001191	BUSHING-UPPER PIVOT		1
1	40	92001190	BUSHING-MIDDLE PIVOT		1
1	41	92001203	PVT RETAINER - MIDDLE		1
1	42	92001207	RELEASE PIN RETAINER		1
1	43	92001160	SPRING -TENSION		1
1	44	92001206	RELEASE PIN		1

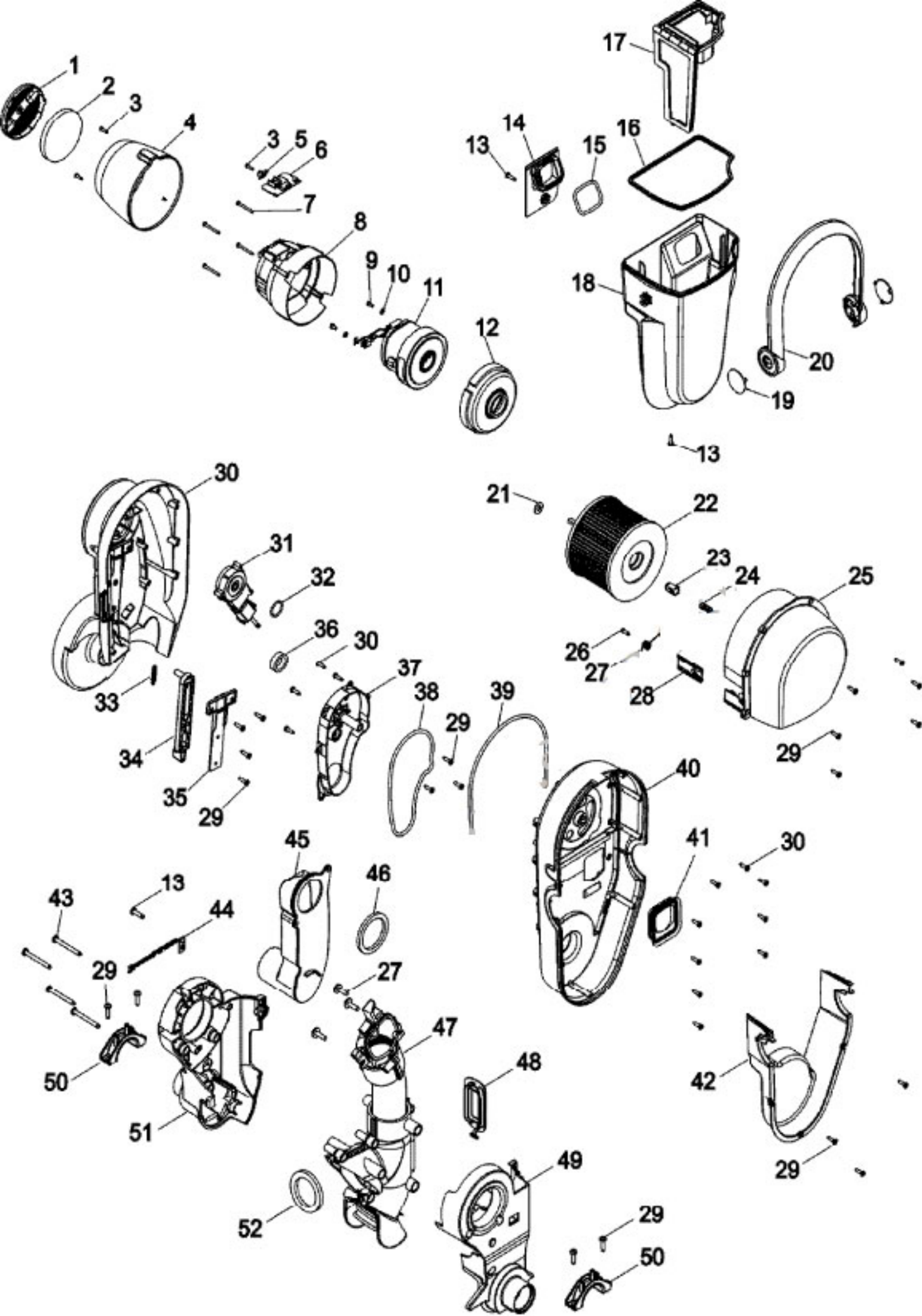


Image	Key	Part Number	Description	Substitution	Qty.
1	1	92001111	FINAL FILTER RETAIN-SERVICE		1
1	2	92001109	FINAL FILTER		1
1	3	21447235	SCREW SELF TAPPING		3
1	4	92001103	MOTOR COVER-AFH		1
1	5	92001112	RETAIN CIRCUIT BRD		1
1	6	92001234	WIRE HARN-POWER/TRIAC		1
1	6	92001108	PCB - TRIAC ASSY		1
1	7	21447121	SCREW		4
1	8	92001104	MOTOR MOUNT-SUCTION		1
1	9	92001106	SCREW MACHINE #10-32		2
1	10	92001105	WASHER		2
1	11	92001107	MOTOR - SUCTION		1
1	12	92001110	MOTOR SEAL		1
1	13	21447235	SCREW SELF TAPPING		3
1	14	92001138	DUCT - DIRT CUP		1
1	15	92001139	SEAL - DUCT DIRT CUP		1
1	16	92001140	SEAL - 20.438 IN		1
1	17	92001137	PRE FLTR BODY ASY		1
1	18	92001141	DIRT CUP - COMPLETE		1
1	19	92001143	DIRTCUP HANDLE COVER		2
1	20	92001142	DIRT CUP HANDLE		1
1	21	92001144	THRUST WASHER		1
1	22	92001146	PRIMARY FILTER ASSEMBLY		1
1	23	92001159	THRUST BUTTON		1
1	24	92001147	SPRING - COMPRESSION		1
1	25	92001148	FILTER HOUSING ASY		1
1	26	21447223	SCREW-SELF TAPPING		1
1	27	92001147	SPRING - COMPRESSION		1
1	28	92001149	SPRING RETAINER		1
1	29	017001FW	SCREW		27
1	30	93001964	ACTUATOR MAGNET		2
1	30	92001154	MAIN PVT HSG ASY-RIGHT		1
1	31	92001155	PRIMARY FILTER TRANS		1
1	32	90001195	O-RING		1
1	32	92001160	SPRING TENSION		1

Image	Key	Part Number	Description	Substitution	Qty.
1	34	92001158	MAIN PIVOT ROD		1
1	35	92001171	MAIN PIVOT ROD GUIDE		2
1	36	92001242	SEAL-CLEAN AIR DUCT		1
1	37	92001156	AIR DUCT - CLEAN		1
1	38	92001157	SEAL - 18.125 IN		1
1	39	92001215	SEAL - 17.125 IN		1
1	40	92001152	MAIN PIVOT HSG LEFT-SERVICE		1
1	41	92001170	DIRT CUP INLET SEAL		1
1	42	92001151	DIRT CUP HOUSING		1
1	43	21447121	SCREW		4
1	44	92001161	PCB - HALL ASSY		1
1	45	92001162	OUTLET DUCT ASY		1
1	46	92001163	SEAL-CLEAN AIR DUCT		1
1	47	92001153	HOSE CONNECTOR ASY-SERVICE		1
1	48	92001164	ACCESS DOOR		1
1	49	92001165	NOZZLE CONNECTOR-LH		1
1	50	92001167	TRUNNION COVER		2
1	51	93001964	ACTUATOR MAGNET		1
1	51	92001166	NOZZLE CONNECTOR-RH		1
1	52	92001169	SEAL-USER HOSE		1

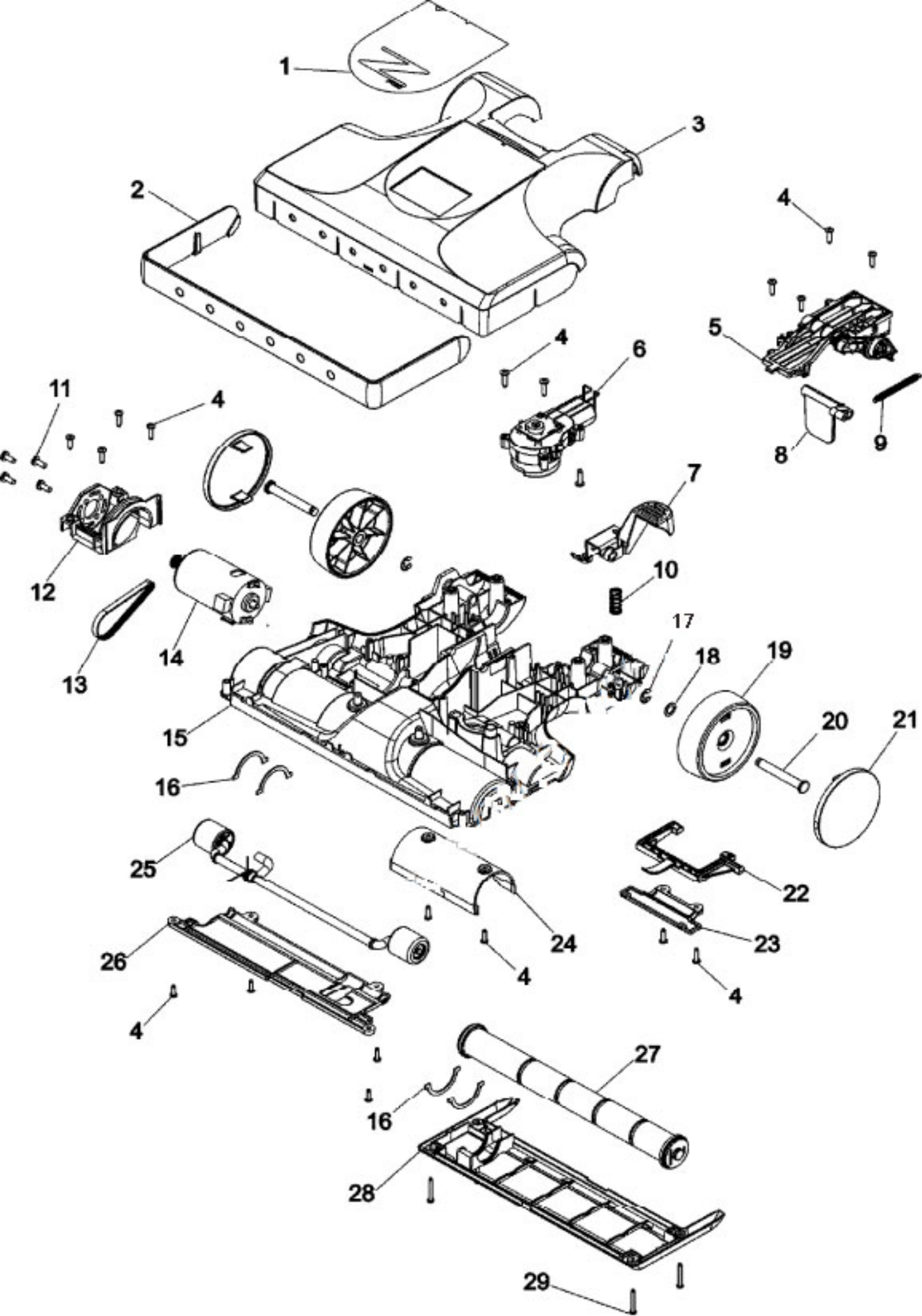


Image	Key	Part Number	Description	Substitution	Qty.
1	1	92001135	HOOD NAMEPLATE		1
1	2	92001122	FURNITURE GUARD		1
1	3	92001123	HOOD ASSY-AFH		1
1	4	017001FW	SCREW		19
1	5	92001133	DUCT COVER ASY-SERVICE		1
1	6	92001127	HEIGHT ADJ TRANS		1
1	7	92001128	HANDLE REL PEDAL		1
1	8	92001134	VALVE DOOR		1
1	9	38333009	SPRING		1
1	10	92001131	SPRING - COMPRESSION		1
1	11	92001136	SCREW MACH M5 X 12		4
1	12	92001120	MOTOR MOUNT - AGIT		1
1	13	92001118	BELT, POLY V		1
1	14	92001237	WIRE HARN-NZZL MOTOR		1
1	14	92001119	MOTOR-AGITATOR		1
1	15	92001132	MAINBODY		1
1	16	92001116	AGITATOR PULLEY SEAL		4
1	17	160017--	LOCK RING		2
1	18	163110--	WASHER		1
1	19	92001126	REAR WHL W/OVERMOLD		2
1	20	92001125	REAR AXLE		2
1	21	92001124	WHEEL CAP		2
1	22	92001129	HANDLE RELEASE LEVER		1
1	23	92001130	HANDLE REL MNT PLATE		1
1	24	92001121	DUCT COVER - NOZZLE		1
1	25	92001117	FRONT WHEEL ASY-SERVICE		1
1	26	92001114	FRONT AXLE MNT PLATE		1
1	27	92001115	AGITATOR ASY COMPLETE		1
1	28	92001113	BOTTOM PLATE		1
1	29	21479438	SCREW		4
1	30	56511C42	MANUAL, USE AND CARE		1