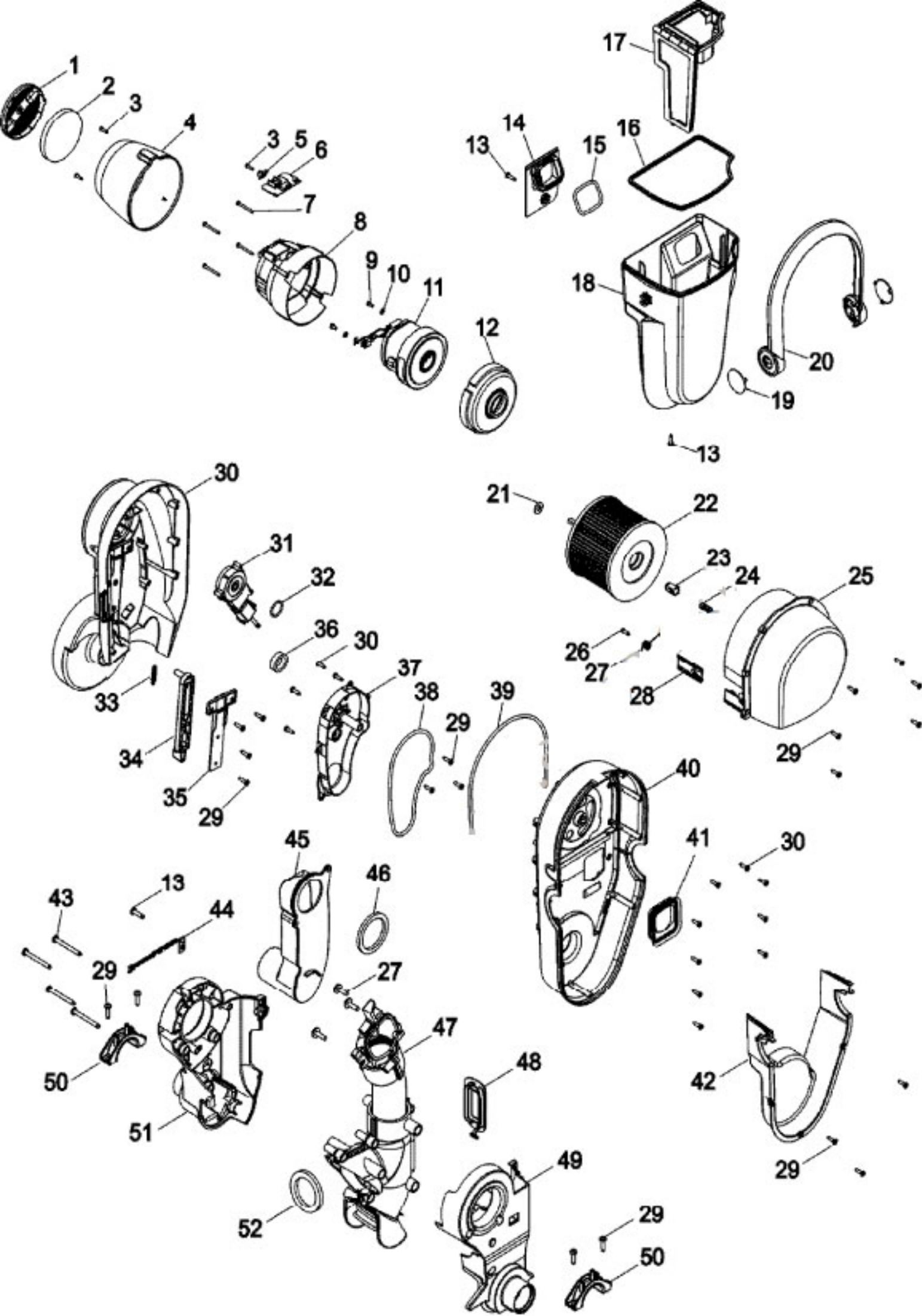


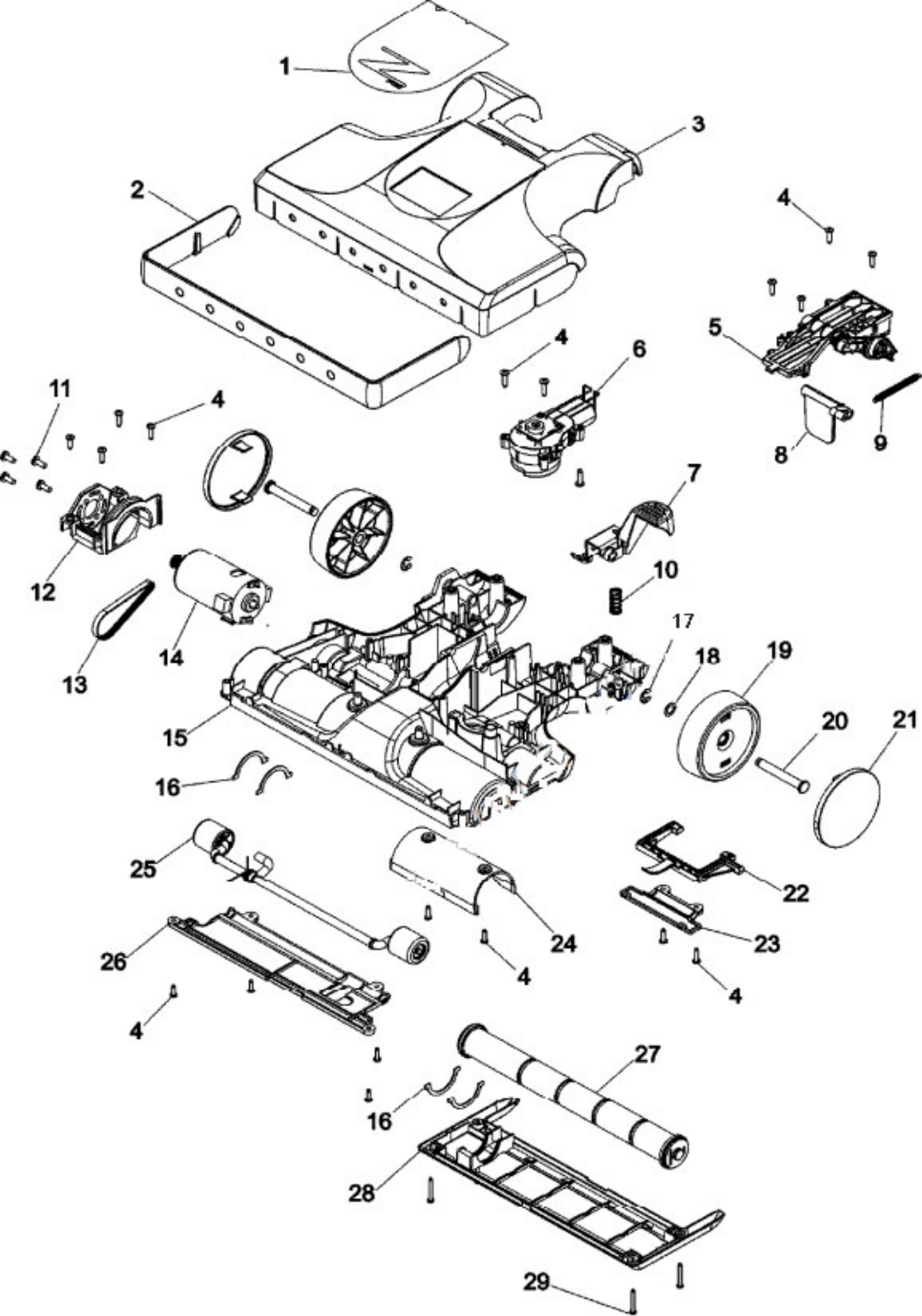
| Image | Key | Part Number | Description | Substitution | Qty. |
|-------|-----|-------------|--------------------------|--------------|------|
| 1 | 1 | 92001172 | SCREW #8-3/4-FW | | 5 |
| 1 | 2 | 92001173 | NUT - SELF THREADING | | 1 |
| 1 | 3 | 21312829 | WASHER | | 1 |
| 1 | 4 | 92001174 | SEAL-UPR HNDL SUPPORT | | 1 |
| 1 | 5 | 92001175 | CONTROL PANEL OVERLAY | | 1 |
| 1 | 6 | 92001176 | CNTRL PNL DISP SUPP | | 1 |
| 1 | 7 | 92001177 | SWITCH CAP - TRIMMED | | 1 |
| 1 | 7 | 92001236 | WIRE HARN-NZZL SIGNAL | | 1 |
| 1 | 7 | 92001235 | WIRE HARN - PANEL | | 1 |
| 1 | 8 | 92001182 | CNTRL PNL HSNG-RH-AFH | | 1 |
| 1 | 9 | 92001178 | LATCH-UPPER HANDLE | | 1 |
| 1 | 10 | 92001180 | UPPR HNDL PVT SUPPT | | 1 |
| 1 | 11 | 92001179 | PCB-CNTRL PANEL ASY | | 1 |
| 1 | 12 | 92001181 | CNTRL PNL HSNG-LH-AFH | | 1 |
| 1 | 13 | 21447239 | SCREW | | 2 |
| 1 | 14 | 92001232 | MEDALLION | | 1 |
| 1 | 14 | 92001183 | CNTRL PNL BTM COVER | | 1 |
| 1 | 15 | 92001187 | UPPR HNDLWAND ASY | | 1 |
| 1 | 16 | 92001188 | HOSE ASSEMBLY | | 1 |
| 1 | 17 | 92001185 | STORAGE DOOR-AFH | | 1 |
| 1 | 18 | 92001186 | STORAGE DOOR INSERT | | 1 |
| 1 | 19 | 017001FW | SCREW | | 9 |
| 1 | 20 | 92001192 | DOOR LATCH - MALE | | 1 |
| 1 | 21 | 92001194 | CREVICE TOOL-AG | | 1 |
| 1 | 22 | 92001196 | FURNITURE NOZZLE-AG | | 1 |
| 1 | 23 | 92001195 | DUSTING BRUSH ASY-AG | | 1 |
| 1 | 24 | 92001197 | ATTACH CORD - 35 | | 1 |
| 1 | 25 | 92001193 | DOOR LATCH - FEMALE | | 1 |
| 1 | 26 | 21447235 | SCREW SELF TAPPING | | 17 |
| 1 | 27 | 92001199 | CORD WRAP-ADA | | 2 |
| 1 | 28 | 92001198 | DOOR SPRINGS-TOP, BOT | | 1 |
| 1 | 29 | 92001200 | HINGE PIN | | 2 |
| 1 | 30 | 92001189 | UPPR PVT MIDPLATE | | 1 |
| 1 | 31 | 92001241 | INSULATOR | | 1 |
| 1 | 32 | 21447233 | SCREW-F5411 | | 3 |

| Image | Key | Part Number | Description | Substitution | Qty. |
|-------|-----|-------------|------------------------|--------------|------|
| 1 | 33 | 92001201 | PCB - POWER/MICRO ASSY | | 1 |
| 1 | 34 | 92001205 | PVT RETAINER PIN | | 2 |
| 1 | 35 | 92001208 | UPPER PIVOT ROD | | 1 |
| 1 | 37 | 92001204 | PVT RETAINER - UPPER | | 2 |
| 1 | 38 | 92001184 | UPPR PVT HSNQ | | 1 |
| 1 | 39 | 92001191 | BUSHING-UPPER PIVOT | | 1 |
| 1 | 40 | 92001190 | BUSHING-MIDDLE PIVOT | | 1 |
| 1 | 41 | 92001203 | PVT RETAINER - MIDDLE | | 1 |
| 1 | 42 | 92001207 | RELEASE PIN RETAINER | | 1 |
| 1 | 43 | 92001160 | SPRING -TENSION | | 1 |
| 1 | 44 | 92001206 | RELEASE PIN | | 1 |



| Image | Key | Part Number | Description | Substitution | Qty. |
|-------|-----|-------------|--------------------------------|--------------|------|
| 1 | 1 | 92001111 | FINAL FILTER RETAIN-SERVICE | | 1 |
| 1 | 2 | 92001109 | FINAL FILTER | | 1 |
| 1 | 3 | 21447235 | SCREW SELF TAPPING | | 3 |
| 1 | 4 | 92001103 | MOTOR COVER-AFH | | 1 |
| 1 | 5 | 92001112 | RETAIN CIRCUIT BRD | | 1 |
| 1 | 6 | 92001234 | WIRE HARN-POWER/TRIAC | | 1 |
| 1 | 6 | 92001108 | PCB - TRIAC ASSY | | 1 |
| 1 | 7 | 21447121 | SCREW | | 4 |
| 1 | 8 | 92001104 | MOTOR MOUNT-SUCTION | | 1 |
| 1 | 9 | 92001106 | SCREW MACHINE #10-32 | | 2 |
| 1 | 10 | 92001105 | WASHER | | 2 |
| 1 | 11 | 92001107 | MOTOR - SUCTION | | 1 |
| 1 | 12 | 92001110 | MOTOR SEAL | | 1 |
| 1 | 13 | 21447235 | SCREW SELF TAPPING | | 3 |
| 1 | 14 | 92001138 | DUCT - DIRT CUP | | 1 |
| 1 | 15 | 92001139 | SEAL - DUCT DIRT CUP | | 1 |
| 1 | 16 | 92001140 | SEAL - 20.438 IN | | 1 |
| 1 | 17 | 92001137 | PRE FLTR BODY ASY | | 1 |
| 1 | 18 | 92001141 | DIRT CUP - COMPLETE | | 1 |
| 1 | 19 | 92001143 | DIRTCUP HANDLE COVER | | 2 |
| 1 | 20 | 92001142 | DIRT CUP HANDLE | | 1 |
| 1 | 21 | 92001144 | THRUST WASHER | | 1 |
| 1 | 22 | 92001146 | PRIMARY FILTER ASSEMBLY | | 1 |
| 1 | 23 | 92001159 | THRUST BUTTON | | 1 |
| 1 | 24 | 92001147 | SPRING - COMPRESSION | | 1 |
| 1 | 25 | 92001148 | FILTER HOUSING ASY | | 1 |
| 1 | 26 | 21447223 | SCREW-SELF TAPPING | | 1 |
| 1 | 27 | 92001147 | SPRING - COMPRESSION | | 1 |
| 1 | 28 | 92001149 | SPRING RETAINER | | 1 |
| 1 | 29 | 017001FW | SCREW | | 27 |
| 1 | 30 | 93001964 | ACTUATOR MAGNET | | 2 |
| 1 | 30 | 92001154 | MAIN PVT HSG ASY-RIGHT | | 1 |
| 1 | 31 | 92001155 | PRIMARY FILTER TRANS | | 1 |
| 1 | 32 | 90001195 | O-RING | | 1 |
| 1 | 33 | 92001160 | SPRING -TENSION | | 1 |

| Image | Key | Part Number | Description | Substitution | Qty. |
|-------|-----|-------------|-----------------------------|--------------|------|
| 1 | 34 | 92001158 | MAIN PIVOT ROD | | 1 |
| 1 | 35 | 92001171 | MAIN PIVOT ROD GUIDE | | 2 |
| 1 | 36 | 92001242 | SEAL-CLEAN AIR DUCT | | 1 |
| 1 | 37 | 92001156 | AIR DUCT - CLEAN | | 1 |
| 1 | 38 | 92001157 | SEAL - 18.125 IN | | 1 |
| 1 | 39 | 92001215 | SEAL - 17.125 IN | | 1 |
| 1 | 40 | 92001152 | MAIN PIVOT HSG LEFT-SERVICE | | 1 |
| 1 | 41 | 92001170 | DIRT CUP INLET SEAL | | 1 |
| 1 | 42 | 92001151 | DIRT CUP HOUSING | | 1 |
| 1 | 43 | 21447121 | SCREW | | 4 |
| 1 | 44 | 92001161 | PCB - HALL ASSY | | 1 |
| 1 | 45 | 92001162 | OUTLET DUCT ASY | | 1 |
| 1 | 46 | 92001163 | SEAL-CLEAN AIR DUCT | | 1 |
| 1 | 47 | 92001153 | HOSE CONNECTOR ASY-SERVICE | | 1 |
| 1 | 48 | 92001164 | ACCESS DOOR | | 1 |
| 1 | 49 | 92001165 | NOZZLE CONNECTOR-LH | | 1 |
| 1 | 50 | 92001167 | TRUNNION COVER | | 2 |
| 1 | 51 | 93001964 | ACTUATOR MAGNET | | 1 |
| 1 | 51 | 92001166 | NOZZLE CONNECTOR-RH | | 1 |
| 1 | 52 | 92001169 | SEAL-USER HOSE | | 1 |



| Image | Key | Part Number | Description | Substitution | Qty. |
|-------|-----|-------------|-------------------------|--------------|------|
| 1 | 1 | 92001209 | HOOD NAMEPLATE | | 1 |
| 1 | 2 | 92001212 | FURNITURE GRD - LED | | 1 |
| 1 | 3 | 92001211 | PCB - HEADLIGHT | | 1 |
| 1 | 4 | 92001210 | HOOD ASSY-AKE | | 1 |
| 1 | 5 | 017001FW | SCREW | | 19 |
| 1 | 6 | 92001133 | DUCT COVER ASY-SERVICE | | 1 |
| 1 | 7 | 92001127 | HEIGHT ADJ TRANS | | 1 |
| 1 | 8 | 92001128 | HANDLE REL PEDAL | | 1 |
| 1 | 9 | 92001134 | VALVE DOOR | | 1 |
| 1 | 10 | 38333009 | SPRING | | 1 |
| 1 | 11 | 92001131 | SPRING - COMPRESSION | | 1 |
| 1 | 12 | 92001136 | SCREW MACH M5 X 12 | | 4 |
| 1 | 13 | 92001120 | MOTOR MOUNT - AGIT | | 1 |
| 1 | 14 | 92001118 | BELT, POLY V | | 1 |
| 1 | 15 | 92001237 | WIRE HARN-NZZL MOTOR | | 1 |
| 1 | 15 | 92001119 | MOTOR-AGITATOR | | 1 |
| 1 | 16 | 92001132 | MAINBODY | | 1 |
| 1 | 17 | 92001116 | AGITATOR PULLEY SEAL | | 4 |
| 1 | 18 | 160017-- | LOCK RING | | 2 |
| 1 | 19 | 163110-- | WASHER | | 1 |
| 1 | 20 | 92001126 | REAR WHL W/OVERMOLD | | 2 |
| 1 | 21 | 92001125 | REAR AXLE | | 2 |
| 1 | 22 | 92001124 | WHEEL CAP | | 2 |
| 1 | 23 | 92001129 | HANDLE REL LEVER | | 1 |
| 1 | 24 | 92001130 | HANDLE REL MNT PLATE | | 1 |
| 1 | 25 | 92001121 | DUCT COVER - NOZZLE | | 1 |
| 1 | 26 | 92001117 | FRONT WHEEL ASY-SERVICE | | 1 |
| 1 | 27 | 92001114 | FRONT AXLE MNT PLATE | | 1 |
| 1 | 28 | 92001115 | AGITATOR ASY COMPLETE | | 1 |
| 1 | 29 | 92001113 | BOTTOM PLATE | | 1 |
| 1 | 30 | 21479438 | SCREW | | 4 |
| 1 | 31 | 56511C43 | MANUAL, USE AND CARE | | 1 |