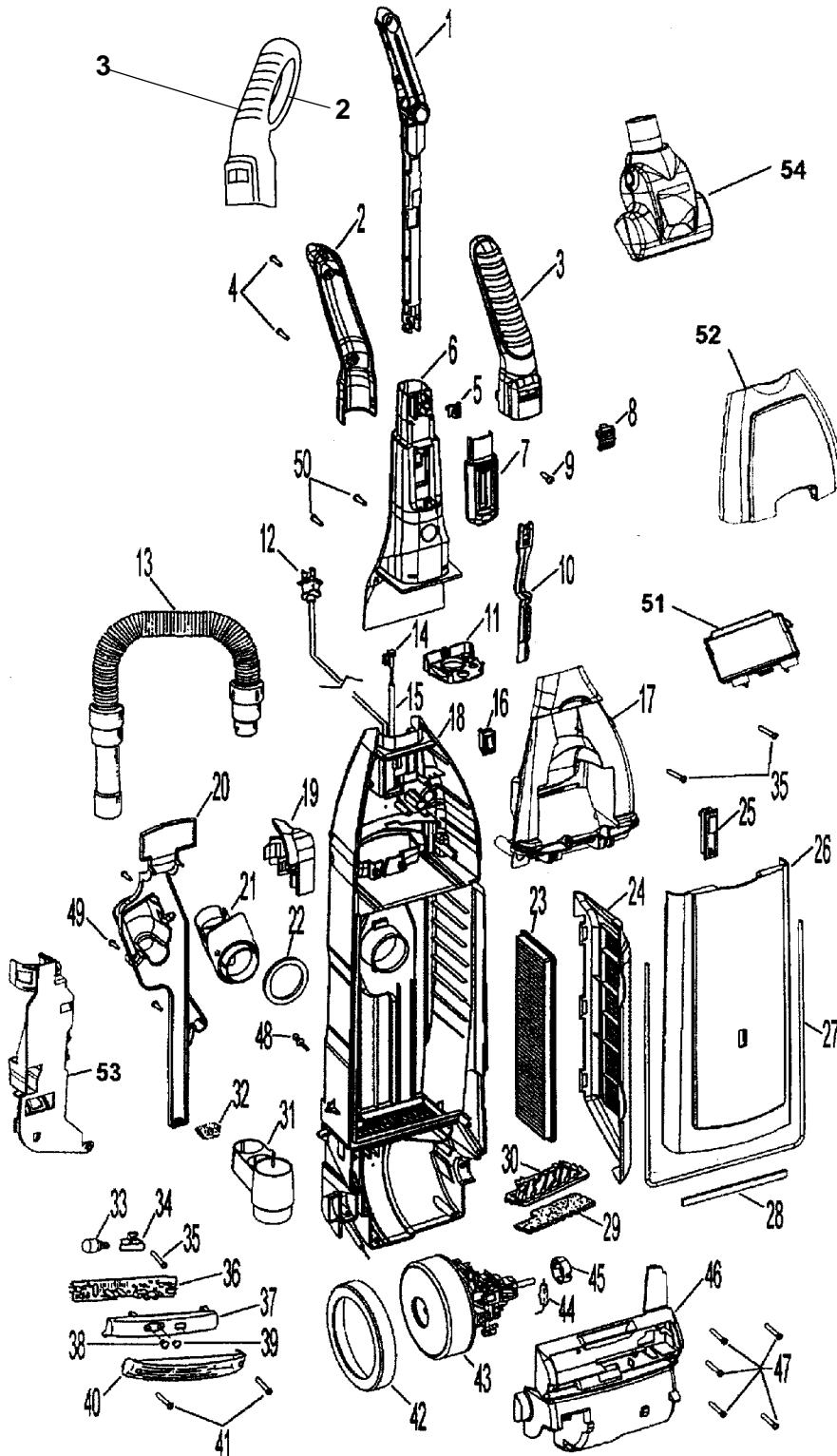




SELF PROPELLED
WINDTUNNEL™

WindTunnel
SELF-PROPELLED

ASSEMBLY SCHEMATIC



MODEL NO.

- U6439-900
- U6454-900
- U6485-900
- UH50000
- UH50005B



SELF PROPELLED
WINDTUNNEL™

WindTunnel
 SELF-PROPELLED

PART LISTING

ITEM	PART NUMBER	MODELS TO FIT	PART DESCRIPTION
1	H-38512001	ALL	UPPER HANDLE GRIP
2	H-39454068	U6439900, U6454900	UPPER HANDLE GRIP COVER - BACK
	H-39454085	U6485900, UH50000, UH50005B	HANDLE GRIP COVER D SHAPE- BACK
3	H-39454084	ALL	UPPER HANDLE GRIP COVER - FRONT
4	H-21447228	ALL	SCREW - SELF TAPPING
5	H-36142002	ALL	DRIVE CONTROL PIN - NASSAU BLUE
6	H-39466093	U6439900, U6454900	UPPER HANDLE - DARK CHARCOAL GRAY
	H-39466133	U6485900, UH50000, UH50005B	UPPER HANDLE
7	H-37258119	ALL	SWITCH ROD HOLDER
8	H-92001082	ALL	SWITCH BUTTON - GRAPHITE GRAY
9	H-21447242	ALL	SCREW - SELF TAPPING
10	H-38458091	ALL	SWITCH ROD
11	H-36923003	U6439900, U6454900	SWITCH ROD GUIDE - DK CHARCOAL GRAY ORDER 36923018
	H-36923018	U6485900, UH50000, UH50005B	SWITCH ROD GUIDE
12	H-46383334	U6439900, U6454900	POWER CORD - 35'
13	H-43434031	ALL	HOSE ASSEMBLY COMPLETE
	H-43434042	ALL	EXTRA HOSE ASSEMBLY 20'
14	H-43211019	ALL	CONTROL CABLE - PUSH / PULL
15	H-66661205	ALL	CONTROL CABLE TUBE
16	H-28161067	ALL	SWITCH
17	H-36433153	ALL	TOOL HOLDER - DARK CHARCOAL GRAY
18	H-37255028	ALL	BACK PANEL / BAG HOUSING - DARK CHARCOAL GRAY
19	H-36433136	ALL	UPPER HOSE / WAND HOLDER
20	H-37255010	ALL	REAR COVER - DARK CHARCOAL GRAY
21	H-47823004	U6439900, U6454900, U6485900, UH50005B	MICROPHONE / DUCT ASSEMBLY
	H-38641008	UH50000	DUCT ASSEMBLY - DARK CHARCOAL GRAY
22	H-31178017	ALL	HOSE CONNECTOR GASKET
23	H-40120101	U6439900, U6454900	HEPA FINAL / EXHAUST FILTER - 1 PACK
	H-40110006	ALL	FINAL / EXHAUST FILTER - 2 PACK
	H-38766037	U6485900, UH50000, UH50005B	FINAL / EXHAUST FILTER - 1 LAYER

MODEL No.

U6439-900
 U6454-900
 U6485-900
 UH50000
 UH50005B



SELF PROPELLED
WINDTUNNEL™

WindTunnel
SELF-PROPELLED

PART LISTING

ITEM	PART NUMBER	MODELS TO FIT	PART DESCRIPTION
24	H-38769004	U6439900, U6454900	FINAL / EXHAUST FILTER COVER GRILL
	H-38769037	U6485900, UH50000, UH50005B	FINAL / EXHAUST FILTER COVER GRILL
25	H-51151010	ALL	BAG INDICATOR
26	H-37254292	U6439900, U6454900	FRONT PANEL / BAG DOOR - GRAY
	H-37254284	U6485900	FRONT PANEL / BAG DOOR - TECHNO BLUE
	H-37254295	UH50000, UH50005B	FRONT PANEL / BAG DOOR - ALUM ALLOY
27	H-38781057	ALL	FRONT BAG DOOR GASKET - 34.5"
28	H-34123050	ALL	FRONT BAG DOOR GASKET - BOTTOM
29	H-38765019	ALL	SECONDARY / INLET FILTER
30	H-36426034	ALL	SECONDARY / INLET FILTER RETAINER
31	H-41426150	ALL	WAND / HOSE HOLDER
32	H-34131005	ALL	WIRE OPENING SEAL
33	H-27313101	ALL	BULB
34	H-47173024	ALL	WIRING HARNESS
35	H-21447072	ALL	SCREW
36	H-46851083	ALL	PRINTED CURCUIT BOARD
37	H-37944011	U6439900, U6454900	EDF COVER - DARK CHARCOAL
	H-37944034	U6485900, UH50005B	EDF COVER - DARK CHARCOAL
	H-37944036	UH50000	BLANK EDF COVER - DARK CHARCOAL
38		U6439900, U6454900, U6485900, UH50005B	GREEN LENS - SNAP IN
39	H-27352030	U6439900, U6454900, U6485900, UH50005B	RED LENS - SNAP IN
40	H-39383100	ALL	LENS
41	H-21447228	ALL	SCREW - SELF TAPPING
42	H-36322037	ALL	MOTOR MOUNT - LARGE
43	H-91001205	ALL	MOTOR ASSEMBLY COMPLETE
	H-41311017	ALL	MOTOR BRUSH
	H-90001206	ALL	FAN ASSEMBLY
44	H-28382093	ALL	THERMAL PROTECTOR
45	H-36322030	ALL	MOTOR MOUNT - SMALL
46	H-37195107	ALL	MOTOR COVER
47	H-21447230	ALL	SCREW - SELF TAPPING
48	H-23149001	ALL	TAPPING SCREW AND WASHER
49	H-21447242	ALL	SCREW - SELF TAPPING
50	H-21447072	ALL	SCREW

[MODEL No.](#)

U6439-900
U6454-900
U6485-900
UH50000
UH50005B



SELF PROPELLED
WINDTUNNEL™

WindTunnel
SELF-PROPELLED

PART LISTING

ITEM	PART NUMBER	MODELS To FIT	PART DESCRIPTION
51	H-36433155	ALL	TOOL HOLDER CAP - DARK CHARCOAL GRAY
52	H-37257250	ALL	TOOL DOOR
53	H-36433154	ALL	TOOL RACK - DARK CHARCOAL GRAY
54	H-40200013	ALL	TURBINE TOOL
	H-36436014	ALL	HANDLE SLEEVE
	H-36215028	ALL	CORD PROTECTOR
	H-4010100Y	ALL	TYPE Y ALLERGY BAG - 3 PACK
	H-4010801Y	ALL	TYPE Y HEPA BAG - 2 PACK
	H-39442048	ALL	CORD WRAP - MAGNESIUM GRAY
	H-38614044	ALL	FURNITURE NOZZLE - GRAPHITE GRAY
	H-38614045	ALL	FURNITURE NOZZLE - BLACK
	H-38617033	ALL	CREVICE TOOL - SHORT
	H-38617031	ALL	CREVICE TOOL - LONG GRAPHITE GRAY
	H-38634078	ALL	EXTENSION TUBE
	H-43414197	ALL	DUSTING BRUSH ASSEMBLY - BLACK

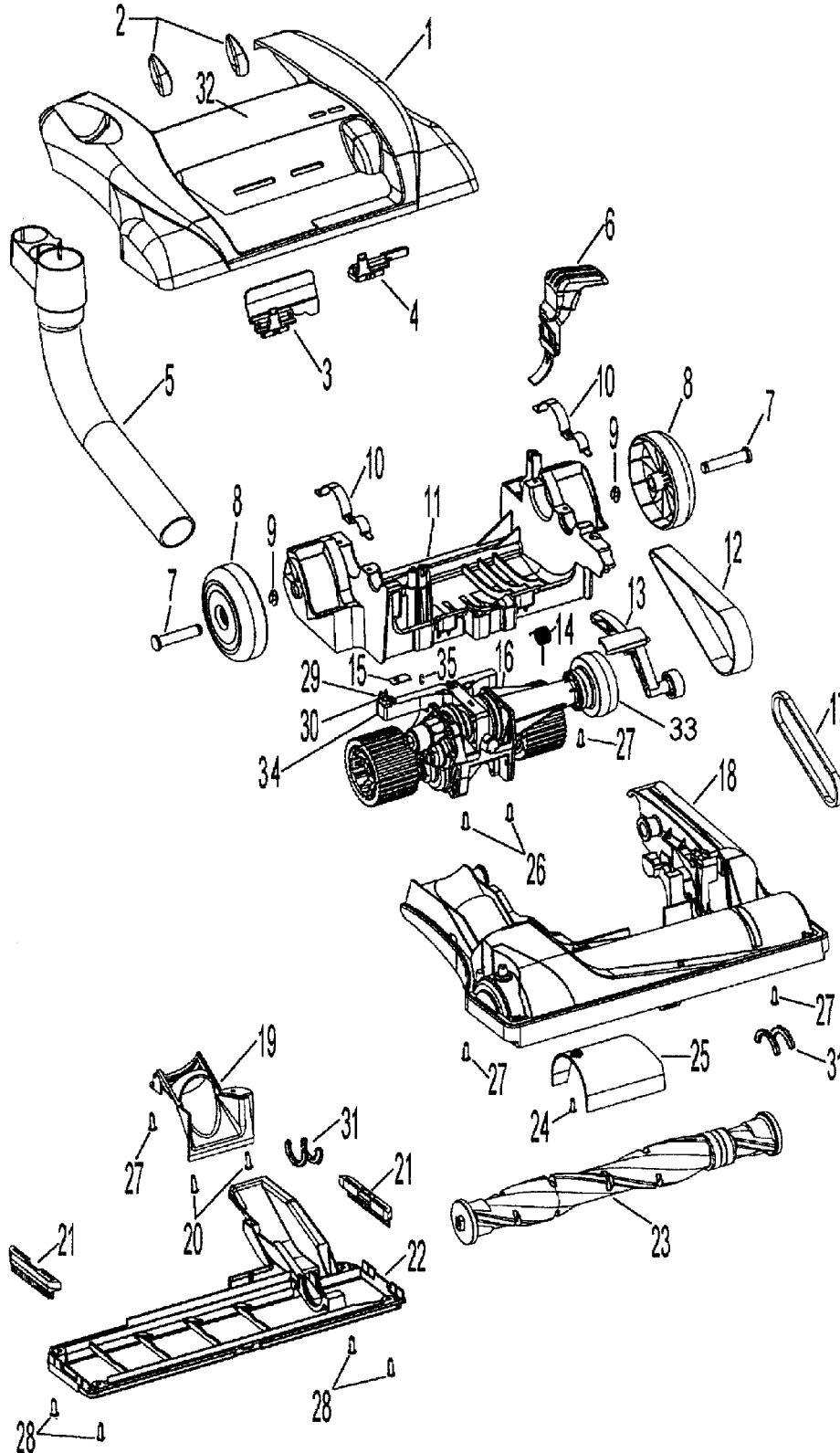
U6439-900
U6454-900
U6485-900
UH50000
UH50005B



SELF PROPELLED
WINDTUNNEL™

WindTunnel
SELF-PROPELLED

ASSEMBLY SCHEMATIC



U6439-900
U6454-900
U6485-900
UH50000
UH50005B



SELF PROPELLED
WINDTUNNEL™

WindTunnel
 SELF-PROPELLED

PART LISTING

ITEM	PART NUMBER	MODELS TO FIT	PART DESCRIPTION
1	H-37253380	U6439900	HOOD / NOZZLE COVER - GRAY
	H-92001249	U6454900	HOOD / NOZZLE COVER - ICE BLUE
	H-42252B77	U6485900	HOOD / NOZZLE COVER - TECHNO BLUE
	H-42252B79	UH50000, UH50005B	HOOD / NOZZLE COVER - ALUMINUM ALLOY
2	H-38421128	U6439900, U6454900	AJUSTMENT KNOB - BLACK
	H-38421099	U6485900, UH50000, UH50005B	AJUSTMENT KNOB - DARK CHARCOAL GRAY
3	H-38563026	ALL	HEIGHT ADJUSTMENT CAM
4	H-36143004	ALL	IDLER ARM
5	H-41426150	ALL	WAND / HOSE HOLDER
6	H-38434023	ALL	HANDLE RELEASE PEDAL - BLACK
7	H-32434007	ALL	REAR AXLE
8	H-38522077	U6439900, U6454900	REAR WHEEL
	H-43247033	ALL	REAR WHEEL ASSEMBLY - SOFT TREAD
9	H-160017--	ALL	LOCK RING
10	H-36131096	ALL	TRUNNION COVER
11	H-37241161	ALL	MAIN BODY / NOZZLE BASE - DARK CHARCOAL GRAY
12	H-38528035	ALL	FLAT BELT
13	H-43241003	ALL	IDLER ARM ASSEMBLY
	H-43241006	U6439900, U6454900	IDLER PULLEY AND BEARING ASSEMBLY
14	H-38356014	ALL	TORSION SPRING
15	H-34125004	ALL	RETAINER CONTROL CABLE
	H-21447242	ALL	SCREW - SELF TAPPING
16	H-43124016	ALL	POWER DRIVE ASSEMBLY
	H-43143046	ALL	ACTUATOR ARM ASSEMBLY
17	H-38528034	ALL	V - BELT
18	H-37243051	ALL	AGITATOR / BRUSH ROLL HOUSING - TRANSPARENT GRAY LIGHT
19	H-36172007	ALL	HOSE CLAMP
20	H-21479448	ALL	SCREW - SELF TAPPING
21	H-39511004	ALL	LITTLE PICKER / EDGE GROOMER - RED
	H-39511018	ALL	LITTLE PICKER / EDGE GROMMER - BLACK
22	H-42245030	ALL	BOTTOM PLATE / NOZZLE GUARD
23	H-91001201 (48414144)	ALL	AGITATOR / BRUSH ROLL
24	H-21479446	ALL	SCREW - SELF TAPPING

U6439-900
 U6454-900
 U6485-900
 UH50000
 UH50005B



SELF PROPELLED
WINDTUNNEL™

WindTunnel™
 SELF-PROPELLED

PART LISTING

ITEM	PART NUMBER	MODELS TO FIT	PART DESCRIPTION
25	H-37243013	ALL	DUCT COVER - NOZZLE
26	H-21447242	ALL	SCREW - SELF TAPPING
27	H-21447228	ALL	SCREW - SELF TAPPING
28	H-21447121	ALL	SCREW
29	H-21751010	ALL	SCREW
30	H-36128002	ALL	WASHER
31	H-38781053	ALL	AGITATOR PULLEY SEAL
32	H-91001077	U6439900, U6454900	HOOD / NOZZLE COVER - NAME PLATE
	H-51438034	U6485900, UH50000, UH50005B	HOOD / NOZZLE COVER - NAME PLATE
33	H-38537013	ALL	DRIVE PULLEY
34	H-43143046	ALL	ACTUATOR ARM ASSEMBLY
35	H-13759	ALL	LOCK RING
	H-36131101	ALL	CONTROL CABLE SUPPORT
	H-38313037	ALL	NOZZLE SPRING

[MODEL No.](#)

U6439-900

U6454-900

U6485-900

UH50000

UH50005B



SELF PROPELLED
WINDTUNNEL™

WindTunnel
SELF-PROPELLED

ASSEMBLY SCHEMATIC

MODEL NO.

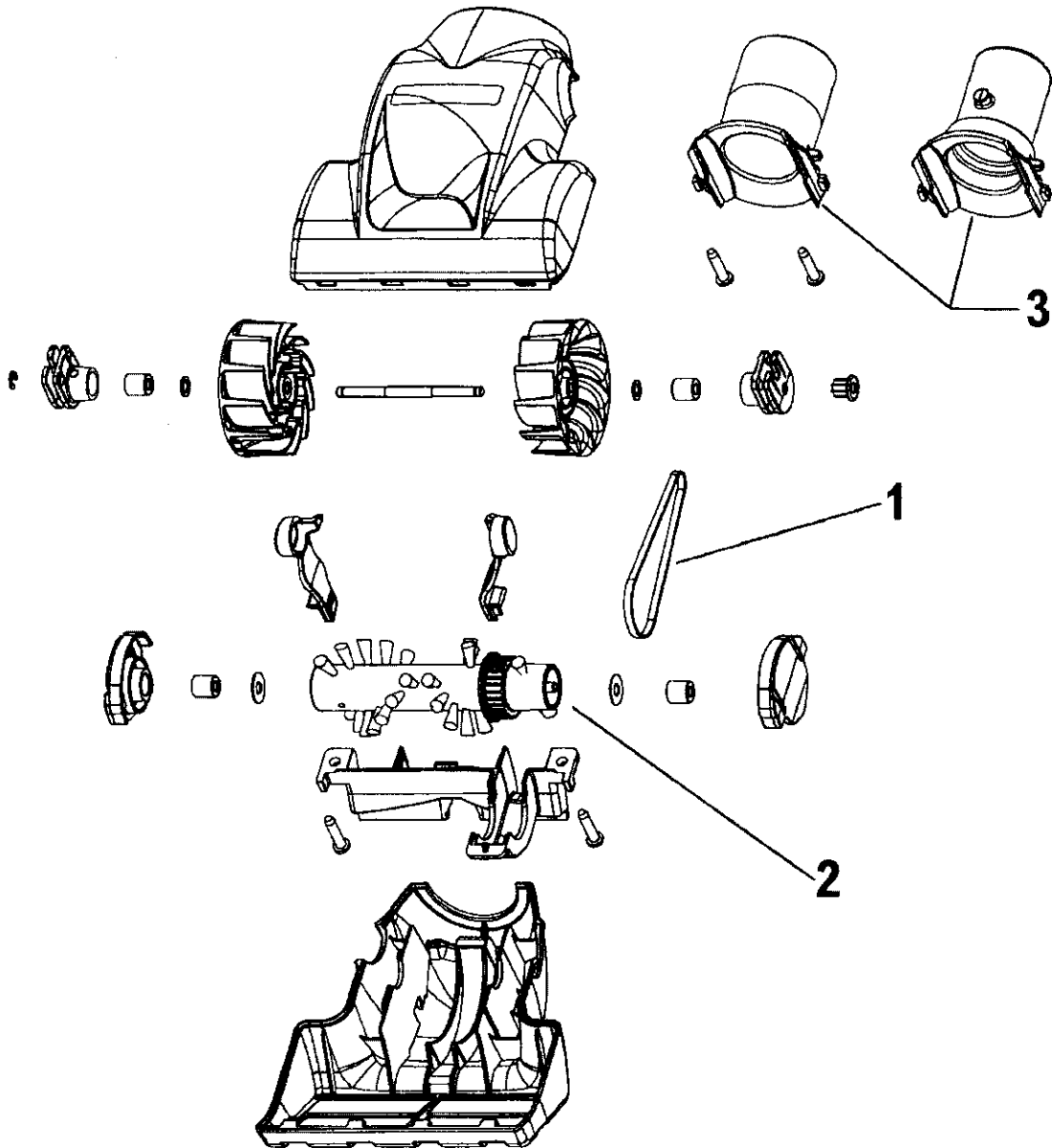
U6439-900

U6454-900

U6485-900

UH50000

UH50005B





SELF PROPELLED
WINDTUNNEL™

WindTunnel™
SELF-PROPELLED

PART LISTING

ITEM	PART NUMBER	MODELS TO FIT	PART DESCRIPTION
1	H-38528037	ALL	BELT
2	H-48414088	ALL	AGITATOR / BRUSH ROLL
3	H-38632013	ALL	CONNECTOR - TURBINE TOOL
	H-40200013	U6439900	TURBINE HAND TOOL
	H-49129032	U6454900	TURBINE HAND TOOL
	H-49129044	ALL	TURBINE HAND TOOL ORDERH- 49129032

[MODEL No.](#)

U6439-900

U6454-900

U6485-900

UH50000

UH50005B