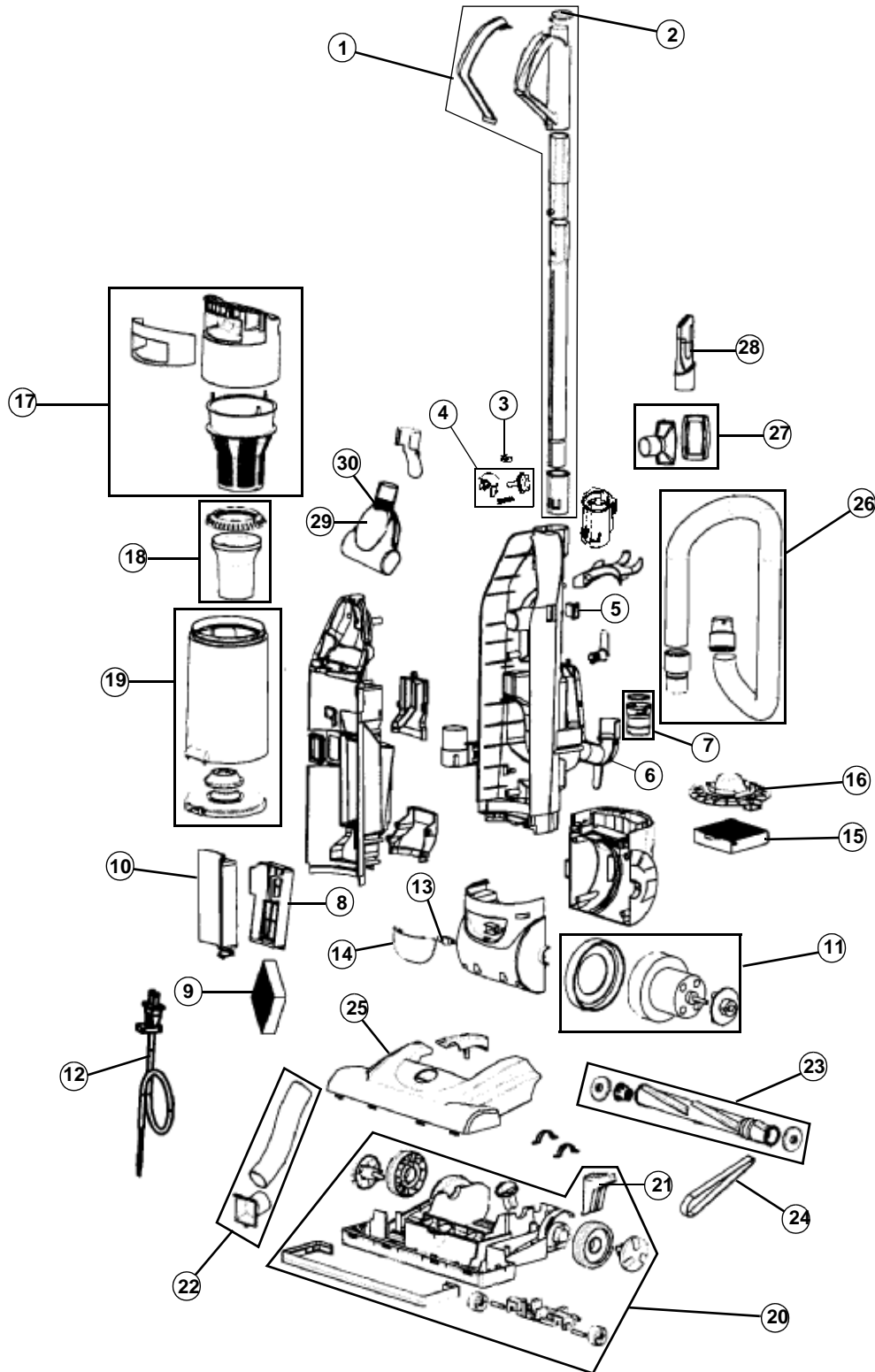




# TURBO CYCLONIC

## ASSEMBLY SCHEMATIC

UH70055





**TURBO  
CYCLONIC**

**PART LISTING**

**UH70055**

Item	Part Number	Models To Fit	Part Description
1	304239001	UH70055	HANDLE ASSEMBLY
2	522587001	UH70055	HANDLE CAP
3	673010001	UH70055	LOCKING PIN ASSEMBLY
4	3042420001	UH70055	HANDLE RELEASE BUTTON AND SPRING SET
5	760466001	UH70055	SWITCH
6	522588001	UH70055	DUCT COVER
7	522589001	UH70055	LOWER HOSE CONNECTOR WITH GASKET
8	2JZ0475000	UH70055	AIR INLET FILTER FRAME ASSEMBLY
9	1JZ0485000	UH70055	AIR INLET FOAM FILTER
10	522591001	UH70055	AIR INLET FILTER COVER
11	2JZ0300000	UH70055	MOTOR ASSEMBLY
12	1JZ0565000	UH70055	POWER CORD
13	27313107	UH70055	LIGHT BULB
14	1JZ0310000	UH70055	LENS COVER
15	304242001	UH70055	EXHAUST HEPA FILTER
16	304243001	UH70055	EXHAUST FILTER COVER
17	304244001	UH70055	DIRT CIP LID WITH CYCLONE ASSEMBLY
18	522592001	UH70055	INNER DIRT CUP LOWER TUBE WITH SKIRT
19	304245001	UH70055	DIRT CUP ASSEMBLY WITH DOOR
20	2JZ0150000	UH70055	NOZZLE BASE ASSEMBLY
21	522590001	UH70055	HANDLE RELEASE PEDAL
22	1JZ0205000	UH70055	LOWER HOSE WITH INLET DUCT
23	2JZ0220000	UH70055	BRUSH ROLL ASSEMBLY
24	1JZ0900000	UH70055	STYLE 20 BELT
25	304241001	UH70055	NOZZLE COVER
26	2JZ0580000	UH70055	UPPER HOSE ASSEMBLY
27	2JZ0610000	UH70055	DUST BRUSH ASSEMBLY
28	1KD1920000	UH70055	CREVICE TOOL
29	304246001	UH70055	TURBO TOOL ASSEMBLY
	1UTT020000	UH70055	BELT - TURBO TOOL
30	1UTT030000	UH70055	TURBO TOOL LOCK NUT RING