

**Oven Control Panel Parts List
Single and Double Oven**

| <u>Ref #</u> | <u>Part #</u> | <u>Description</u> |
|--------------|----------------------------|---|
| 1 | 805081 811231 | Control Head, 30, Sngl, Sst Control Head, Sngl, SS 30, SVCE (Rohs, Intl Only) |
| | 805104 812068 | Control Head, 30, Dbl, Sst Control Head, Dbl, SS 30, SVCE (Rohs, Intl Only) |
| | 805106 811232 | Control Head, 30, Sngl, Plt Control Head, Sngl, Plt 30, SVCE (Rohs, Intl Only) |
| | 805107 811229 | Control Head, 30, Dbl, Plt Control Head, Dbl, Plt 30, SVCE (Rohs, Intl Only) |
| | 805109 811233 | Control Head, 30, Sngl, Blk Control Head, Sngl, Blk 30, SVCE (Rohs, Intl Only) |
| | 805110 811230 | Control Head, 30, Dbl, Blk Control Head, Dbl, Blk 30, SVCE (Rohs, Intl Only) |
| 2 | 805178 | Wall Oven Display Pinion Rpl. Pkg. |
| 3 | 809725 809727 809726 | Motor, Drive Assy., Sst Motor, Drive Assy., Plt Motor, Drive Assy., Blk |
| 4 | 801231 801738 801740 | C-Channel Bottom, 30", Sst C-Channel Bottom, 30", Plt C-Channel Bottom, 30", Blk |
| 5 | 801230 801737 801739 | C-Channel Top, 30", Sst C-Channel Top, 30", Plt C-Channel Top, 30", Blk |
| 6 | 802964 | Pin, Stop, Control Panel |
| 7 | 801538 | Screw, 8-32x1/2" |
| 8 | 802791 801555 801556 | Mtg, Control Panel, Rt SS Mtg, Control Panel, Rt Black Mtg, Control Panel, Rt Plat. |
| 9 | 803484 | Bearing, Flange, Control Panel |
| 10 | 801920 | Bracket, Switch, Control Panel |
| 11 | 801549 | Screw, 8-18x1/2" |
| 12 | 809116 | Switch, Actuation, Control Panel |
| 13 | 801677 | Screw, 2-56x3/8" |
| 14 | 800704 | Plunger, Control Display |

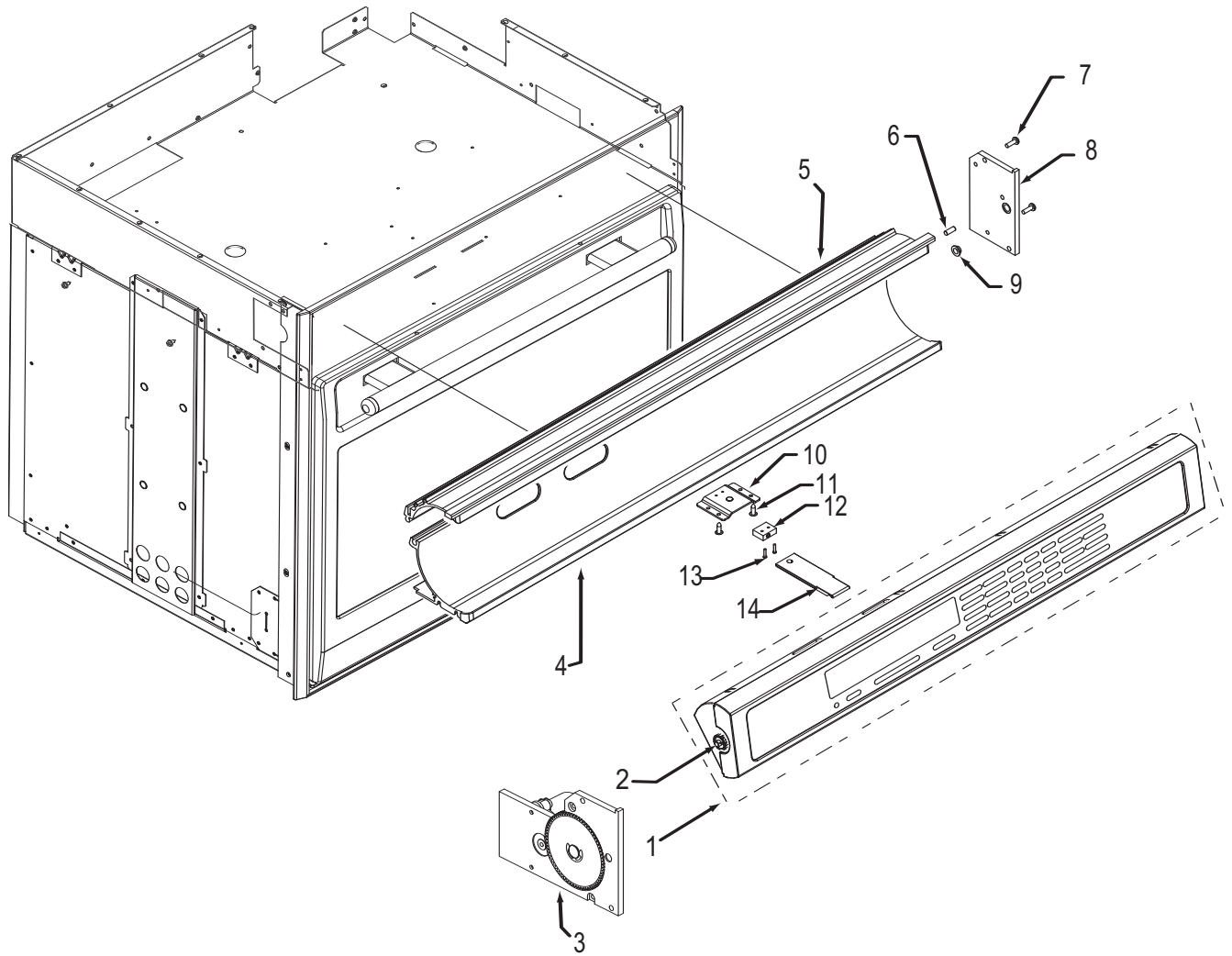
**36" Oven Control Panel Parts List
Single Oven**

| <u>Ref #</u> | <u>Part #</u> | <u>Description</u> |
|--------------|----------------------------|---|
| 1 | 805105 811234 | Control Head, 36, Sngl, Sst Control Head, Sngl, Sst 36, SVCE (Rohs, Intl Only) |
| | 805108 811235 | Control Head, 36, Sngl, Plt Control Head, Sngl, Plt 36, SVCE (Rohs, Intl Only) |
| | 805111 811236 | Control Head, 36, Sngl, Blk Control Head, Sngl, Blk 36, SVCE (Rohs, Intl Only) |
| 2 | 805178 | Wall Oven Display Pinion Rpl. Pkg. |
| 3 | 809725 809727 809726 | Motor, Drive Assy., Sst Motor, Drive Assy., Plt Motor, Drive Assy., Blk |
| 4 | 801525 801742 801744 | C-Channel Bottom, 36", Sst C-Channel Bottom, 36", Plt C-Channel Bottom, 36", Blk |
| 5 | 801526 801741 801743 | C-Channel Top, 36", Sst C-Channel Top, 36", Plt C-Channel Top, 36", Blk |
| 6 | 802964 | Pin, Stop, Control Panel |
| 7 | 801538 | Screw, 8-32x1/2" |
| 8 | 802791 801555 801556 | Mtg, Control Panel, Rt SS Mtg, Control Panel, Rt Black Mtg, Control Panel, Rt Plat. |
| 9 | 803484 | Bearing, Flange, Control Panel |
| 10 | 801920 | Bracket, Switch, Control Panel |
| 11 | 801549 | Screw, 8-18x1/2" |
| 12 | 809116 | Switch, Actuation, Control Panel |
| 13 | 801677 | Screw, 2-56x3/8" |
| 14 | 800704 | Plunger, Stainless Steel |

Not Shown

803319 Spring, Ribbon Cable, Short
803357 Mount, Cable-Tie, Adhesive

Oven Control Panel Exploded View
Single and Double Oven



**30" Oven Modules Parts List
Single and Double Oven**

| <u>Ref #</u> | <u>Part #</u> | <u>Description</u> |
|--------------|---------------|--|
| 1 | 801542 | Screw, 8-18x3/8" |
| 2 | 800381 | Fan, Cooling, Upper |
| 3 | 808579 | Bracket, Air Diverter Top |
| 4 | 801363 | Control Board, Stepper Motor |
| 6 | 801912 | Strain Relief, Plastic |
| 7 | 800385 | Cover, Latch |
| 8 | 803356 | Plate, Mounting Hardware |
| 9 | 807053 | Board, Relay" |
| 10 | 812454 | Controller, Oven, Single, 30" |
| | 812456 | Controller, Oven, Single, 30" International |
| | 812455 | Controller, Oven, Double, 30" |
| | 812457 | Controller, Oven, Double, 30" International |
| 11 | 808583 | Bracket-Z, Latch, Top Oven |
| 12 | 808586 | Bracket, Support, Top Module |
| 13 | 808581 | Bracket, Cord, Power |
| 15 | 800263 | Latch, Motorized |
| 16 | 807542 | Pan, Module, 30" |
| 17 | N/A | |
| 18 | 808588 | Bracket, Air Diverter, DO |
| 19 | 820129 | Bracket-Z, Latch, Bottom Oven, DO |

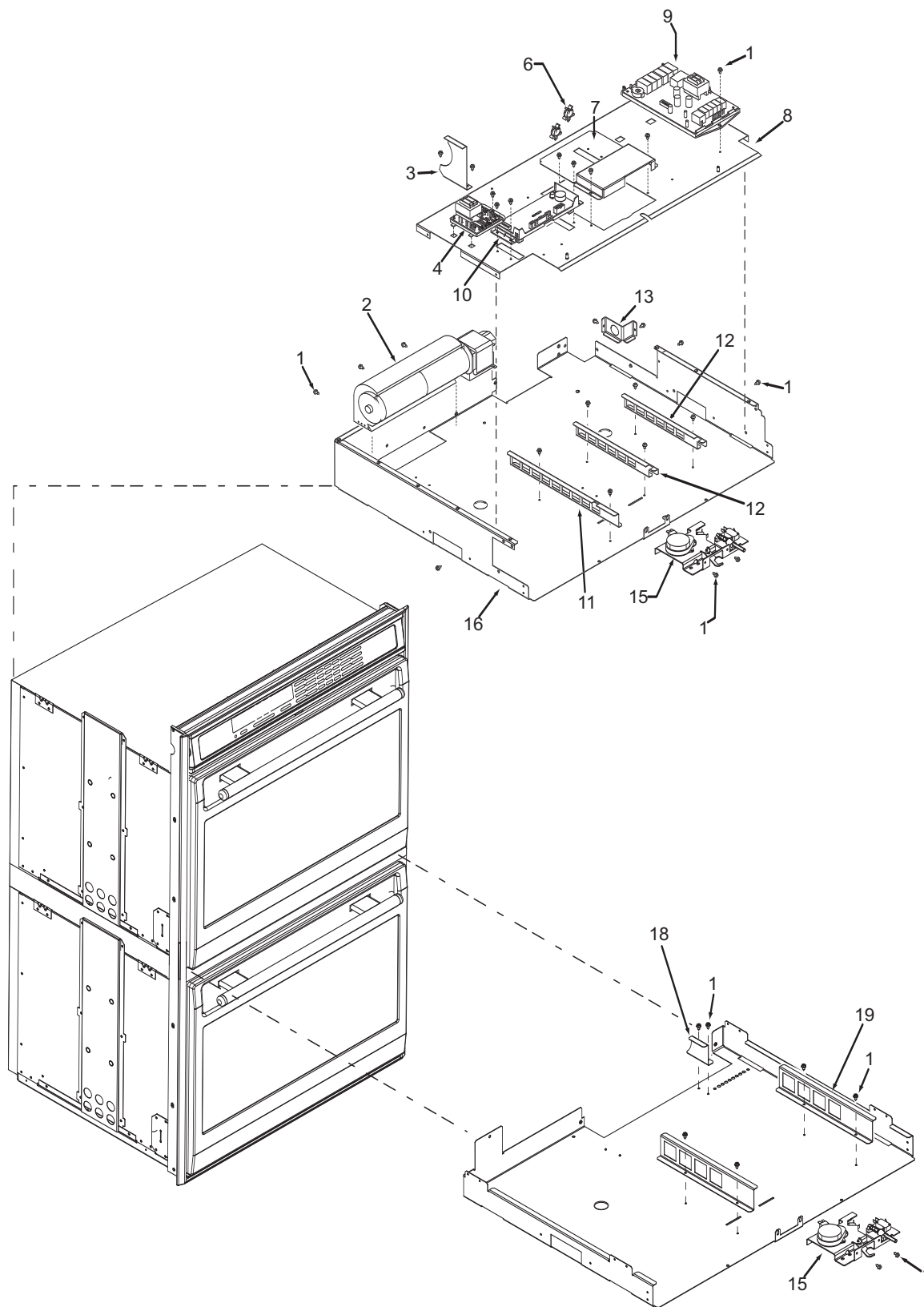
**36" Oven Modules Parts List
Single Oven**

| <u>Ref #</u> | <u>Part #</u> | <u>Description</u> |
|--------------|---------------|--|
| 1 | 801542 | Screw, 8-18x3/8" |
| 2 | 800381 | Fan, Cooling, Upper |
| 3 | 801224 | Bracket, Air Diverter Top |
| 4 | 801363 | Control Board, Stepper Motor |
| 5 | 800950 | Transformer, Light |
| 6 | 801912 | Strain Relief, Plastic |
| 7 | 800385 | Cover, Latch |
| 8 | 803356 | Plate, Mounting Hardware |
| 9 | 807053 | Board, Relay |
| 10 | 813873 | Oven controller, Single 36" |
| | 813874 | Oven controller, Single 36" International |
| 11 | 820130 | Bracket-Z, Latch |
| 12 | 808586 | Bracket, Support, Top Module |
| 13 | 808581 | Bracket, Cord, Power |
| 14 | 804554 | Switch, Thermostat, 36" |
| 15 | 800263 | Latch, Motorized |
| 16 | 807543 | Pan, Module, 36" |

Not Shown

| | |
|--------|---------------------------------|
| 809449 | Cable, Relay to Controller, 28" |
| 809450 | Cable, Relay to Controller, 21" |
| 801714 | Power Cord Conduit, Single |
| 812348 | Power Cord Conduit, Double |

Oven Modules Exploded View
Single and Double Oven



**30" Oven Cavity Parts List
Single and Double Oven**

| <u>Ref #</u> | <u>Part #</u> | <u>Description</u> |
|--------------|---------------|--------------------------------------|
| 1 | N/A | Cavity, Oven (Contact Factory) |
| 2 | 812453 | Light, Oven |
| 3 | 808638 | Cover, Probe Switch |
| 4 | 808639 | Switch, Probe |
| 5 | 808640 | Catalyst, Smoke |
| 6 | 808641 | Sensor, Temperature |
| 7 | 809820 | Fan, Convection Assy., Cw |
| 8 | 801544 | Screw, 8-32x1/2" |
| 9 | 808642 | Pan, Broil Element |
| 10 | 808643 | Element, Broil, 30" |
| 11 | 808648 | Guide, Rack, Right |
| 12 | 811453 | Screw, Shoulder, 8-18 |
| 13 | 808647 | Guide, Rack, Left |
| 14 | 802704 | Screw, 8-32x1/2 Lo Profile |
| 15 | 808650 | Convection Baffle Assembly, 30" |
| 16 | 808652 | Probe, Temperature |
| 17 | 808653 | Rack, Oven 30" |
| 18 | 808654 | Rack, Oven Flat 30" |
| 19 | 808656 | Stone, Pizza |
| 20 | 808657 | Rack, Pizza Stone, 30" |
| 21 | 803373 | Clip, Retainer Hinge |
| 22 | 802929 | Screw 6-20X5/8 PH TRS HD T-AB, Black |
| 23 | 803323 | Cover, Plate |
| 24 | 804712 | Accessory Pkg Broiler Pan Set |
| 25 | 808659 | Gasket, Cavity, 30" |
| 26 | 808649 | Mica Washer w/o Adhesive |
| 27 | 809818 | Fan, Convection Assy., Ccw |

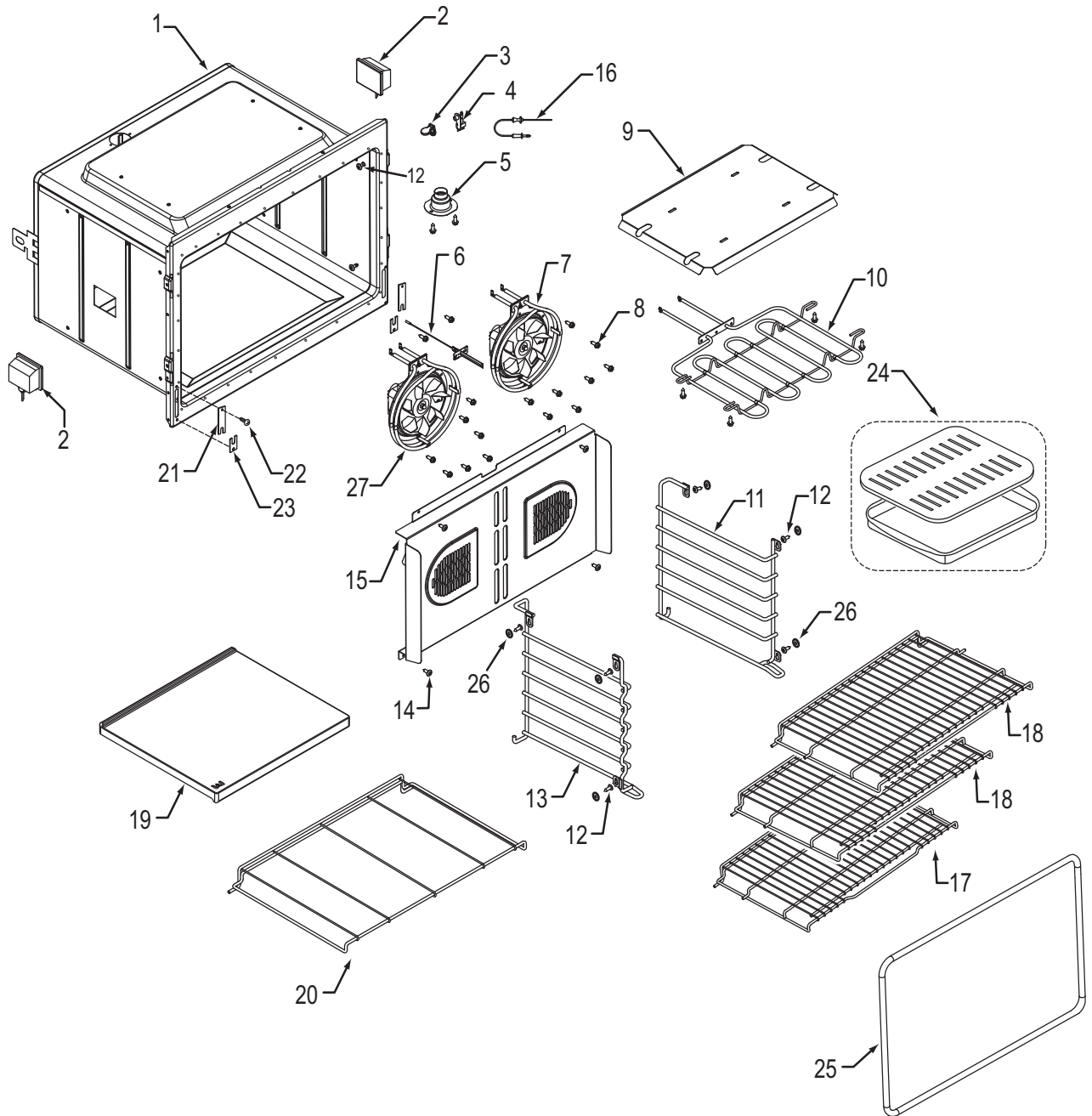
**36" Oven Cavity Parts List
Single Oven**

| <u>Ref #</u> | <u>Part #</u> | <u>Description</u> |
|--------------|---------------|--------------------------------------|
| 1 | N/A | Cavity, Oven (Contact Factory) |
| 2 | 812453 | Light, Oven |
| 3 | 808638 | Cover, Probe Switch |
| 4 | 808639 | Switch, Probe |
| 5 | 808640 | Catalyst, Smoke |
| 6 | 808641 | Sensor, Temperature |
| 7 | 809820 | Fan, Convection Assy., Cw |
| 8 | 801544 | Screw, 8-32x1/2" |
| 9 | 808642 | Deflector, Pan Broil |
| 10 | 808643 | Element, Broil, 36" |
| 11 | 806518 | Guide, Rack, Right |
| 12 | 806523 | Screw, Shoulder, 8-18 |
| 13 | 806517 | Guide, Rack, Left |
| 14 | 802704 | Screw, 8-32x1/2 Lo Profile |
| 15 | 802900 | Convection Baffle Assembly, 36" |
| 16 | 808652 | Probe, Temperature |
| 17 | 802989 | Rack, Oven 36" |
| 18 | 803063 | Rack, Oven Flat 36" |
| 19 | 808656 | Stone, Pizza |
| 20 | 800736 | Rack, Pizza Stone, 36" |
| 21 | 803373 | Clip, Retainer Hinge |
| 22 | 802929 | Screw 6-20X5/8 PH TRS HD T-AB, Black |
| 23 | 803323 | Cover, Plate |
| 24 | 804712 | Accessory Pkg Broiler Pan Set |
| 25 | 806928 | Gasket, Cavity, 36" |
| 26 | 808649 | Mica Washer w/o Adhesive |
| 27 | 809818 | Fan, Convection Assy., Ccw |

Not Shown

| | |
|--------|------------------------|
| 812452 | Light Bulb |
| 808655 | Pizza Peel |
| 808651 | Hard Fiber Flat Washer |

**Oven Cavity Exploded View
Single and Double Oven**



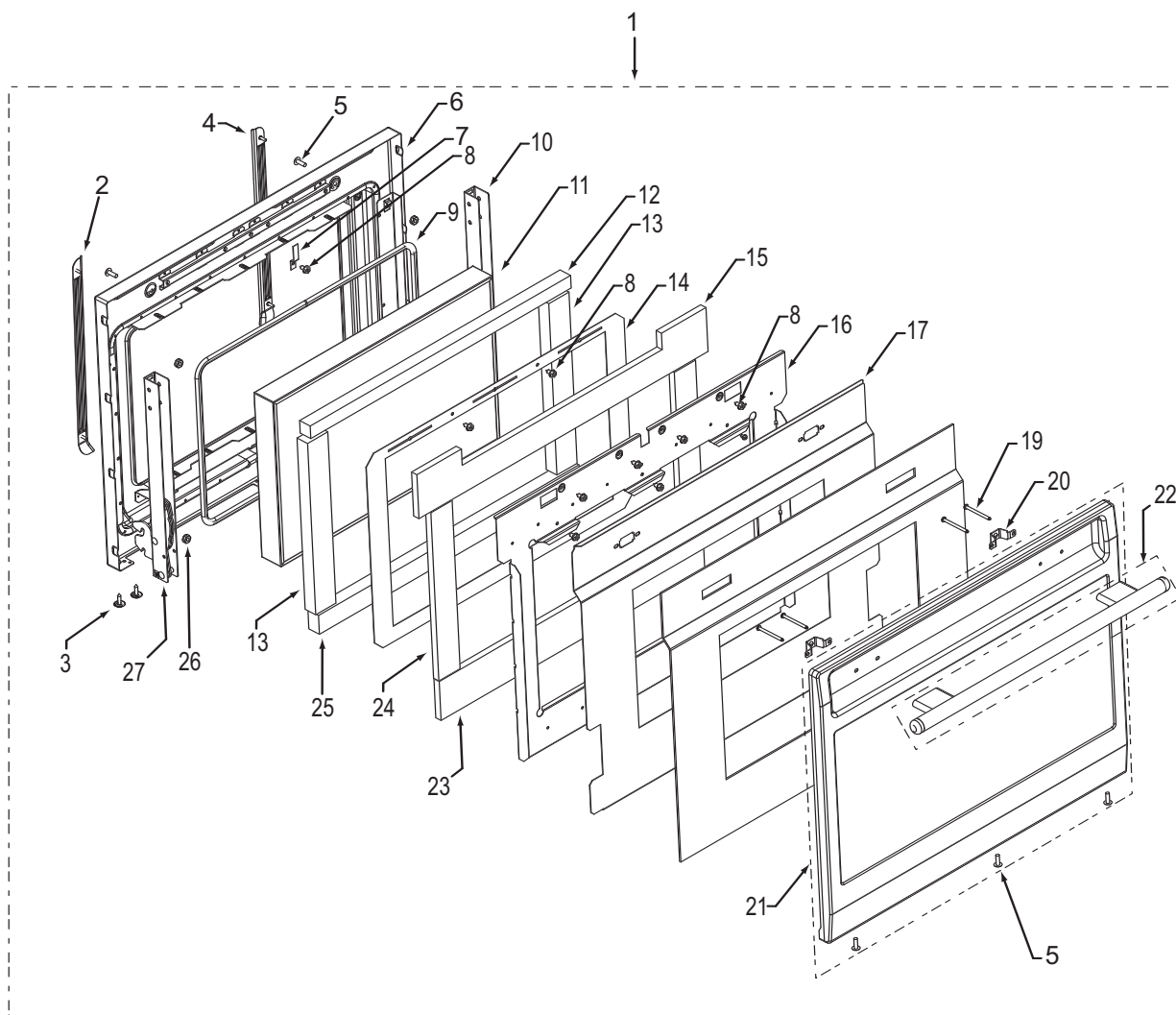
**30" Oven Door Parts List
Single and Double Oven**

| <u>Ref #</u> | <u>Part #</u> | <u>Description</u> |
|--------------|---------------|---|
| 1 | | *Special order, Call Factory Parts Department |
| 2 | 800523 | Left Door Rack Guide, 30", assy |
| 3 | 802929 | Sems Ph Hd Washer, 6-20x5/8 |
| 4 | 800522 | Right Door Rack Guide, 30" |
| 5 | 803379 | Screw, 8-18x1/2" |
| 6 | 809816 | Weldment, Liner, Door 30" |
| 7 | 801102 | Striker Plate, Door Latch |
| 8 | 801542 | Screw, 8-18x3/8" |
| 9 | 800318 | Gasket, Rope, Glass Pack, 30" |
| 10 | 809115 | Hydraulic Oven Door Hinge |
| 11 | 809553 | Triple Pane Oven Glass Pack, 30" |
| 12 | 806610 | Insulation, Door, Inner Top, 30" |
| 13 | 806595 | Insulation, Door, Inner, Sides, 30" |
| 14 | 800319 | Shield, Heat, Inner, Door, 30" |
| 15 | 810794 | Insulation, Door, Center, Top, 30" |
| 16 | 820116 | Heat Deflector, Center, 30" |
| 17 | 803835 | Shield, Heat, Door, 30" |
| 18 | N/A | |
| 19 | 801540 | Screw, 10-24x2-1/4" |
| 20 | 800314 | Bracket, Door, Outer, Mounting |
| 21 | 802940 | Door Skin, Outer w/window, 30" F/S |
| | 803227 | Door Skin, Outer w/window, 30" U/S |
| | 803232 | Door Skin, Outer w/window, 30" F/S, No Logo |
| | 803235 | Door Skin, Outer w/window, 30" U/S, No Logo |
| | 803230 | Door Skin, Outer w/window, 30" U/B |
| | 803236 | Door Skin, Outer w/window, 30" U/B, No Logo |
| | 803231 | Door Skin, Outer w/window, 30" U/P |
| | 803237 | Door Skin, Outer w/window, 30" U/P, No Logo |
| 22 | 801204 | Handle, Oven Door, Assy., 30", Sst |
| | 801599 | Handle, Oven Door, Assy., 30", Plt |
| | 801600 | Handle, Oven Door, Assy., 30", Blk |
| 23 | 806606 | Insulation, Door, Ctr., Bottom, 30" |
| 24 | 806605 | Insulation, Door, Ctr., Side, 30" |
| 25 | 806615 | Insulation, Door, Inner Top |
| 26 | 800418 | Nut, 8-32 Hex Nut W/Lock Washer |
| 27 | 800689 | Hinge, Wall Oven, 30" |

**36" Oven Door Parts List
Single Oven**

| <u>Ref #</u> | <u>Part #</u> | <u>Description</u> |
|--------------|---------------|---|
| 1 | | *Special order, Call Factory Parts Department |
| 2 | 801816 | Left Door Rack Guide, 36", assy |
| 3 | 802929 | Sems Ph Hd Washer, 6-20x5/8 |
| 4 | 801815 | Right Door Rack Guide, 36" |
| 5 | 803379 | Screw, 8-18x1/2" |
| 6 | 809817 | Weldment, Liner, Door, 36" |
| 7 | 801102 | Striker Plate, Door Latch |
| 8 | 801542 | Screw, 8-18x3/8" |
| 9 | 801764 | Gasket, Rope, Glass Pack, 36" |
| 10 | 809115 | Hydraulic Oven Door Hinge |
| 11 | 801448 | Triple Pane Oven Glass Pack, 36" |
| 12 | 806610 | Insulation, Door, Inner Top, 36" |
| 13 | 806617 | Insulation, Door, Inner, Sides, 36" |
| 14 | 801765 | Shield, Heat, Inner, Door, 36" |
| 15 | 810794 | Insulation, Door, Center, Top |
| 16 | 801766 | Heat Deflector, Center, 36" |
| 17 | 803378 | Shield, Heat, Door, 36" |
| 18 | 806613 | Insulation, Door, Outer, 36" |
| 19 | 801540 | Screw, 10-24x2-1/4" |
| 20 | 800314 | Bracket, Door, Outer, Mounting |
| 21 | 803245 | Door Skin, Otr w/window, 36" U/S |
| | 803246 | Door Skin, Otr w/window, 36" U/B |
| | 803247 | Door Skin, Otr w/window, 36" U/P |
| 22 | 801206 | Handle, Oven Door, Assy., 36", Sst |
| | 801893 | Handle, Oven Door, Assy., 36", Plt |
| | 801892 | Handle, Oven Door, Assy., 36", Blk |
| 23 | 806606 | Insulation, Door, Ctr., Bottom |
| 24 | 806623 | Insulation, Door, Ctr., Side, 36" |
| 25 | 806615 | Insulation, Door, Inner Btm |
| 26 | 800418 | Nut, 8-32 Hex Nut W/Lock Washer |
| 27 | 803335 | Hinge, Wall Oven, 36" |

**Oven Door Exploded View
Single and Double Oven**



**30" Back View Parts List
Single and Double Oven**

| <u>Ref #</u> | <u>Part #</u> | <u>Description</u> |
|--------------|---------------|-------------------------------------|
| 1 | N/A | |
| 2 | 800382 | Stiffener, Top Module |
| 3 | 801542 | Screw, 8-18x3/8" |
| 4 | 808602 | Panel, Upper, Front |
| 5 | 808603 | Cover, Rear, Top Module |
| 6 | 808604 | Cover, Small, Top Module |
| 7 | 808660 | Catalyst, Sub Assembly |
| 8 | 808607 | Strain Relief, Metal |
| 9 | 811669 | Switch, Thermostat |
| 10 | 808607 | Convection Fan Shrd, Wall Oven |
| 11 | 808609 | Channel, Divider, Side Exhaust |
| 12 | 803074 | Channel, Divider, Air, Single |
| 13 | 808610 | Panel, Back, Single Oven |
| 14 | 808626 | Bake, Pan Assembly |
| 15 | 808605 | Element, Bake |
| 16 | 808617 | Panel, Back, Double Oven |
| 17 | 808614 | Channel, Divider Side, Exhaust, Lrg |
| 18 | 812438 | Cover, Back Panel, Small |
| 19 | 801143 | Fan, Cooling, Lower |
| 20 | 808612 | Cover, Fan, Cooling |
| 21 | N/A | |
| 23 | 811669 | Switch, Thermostat |
| 24 | 807974 | Panel, Back, Top Insulation |

**36" Back View Parts List
Single Oven**

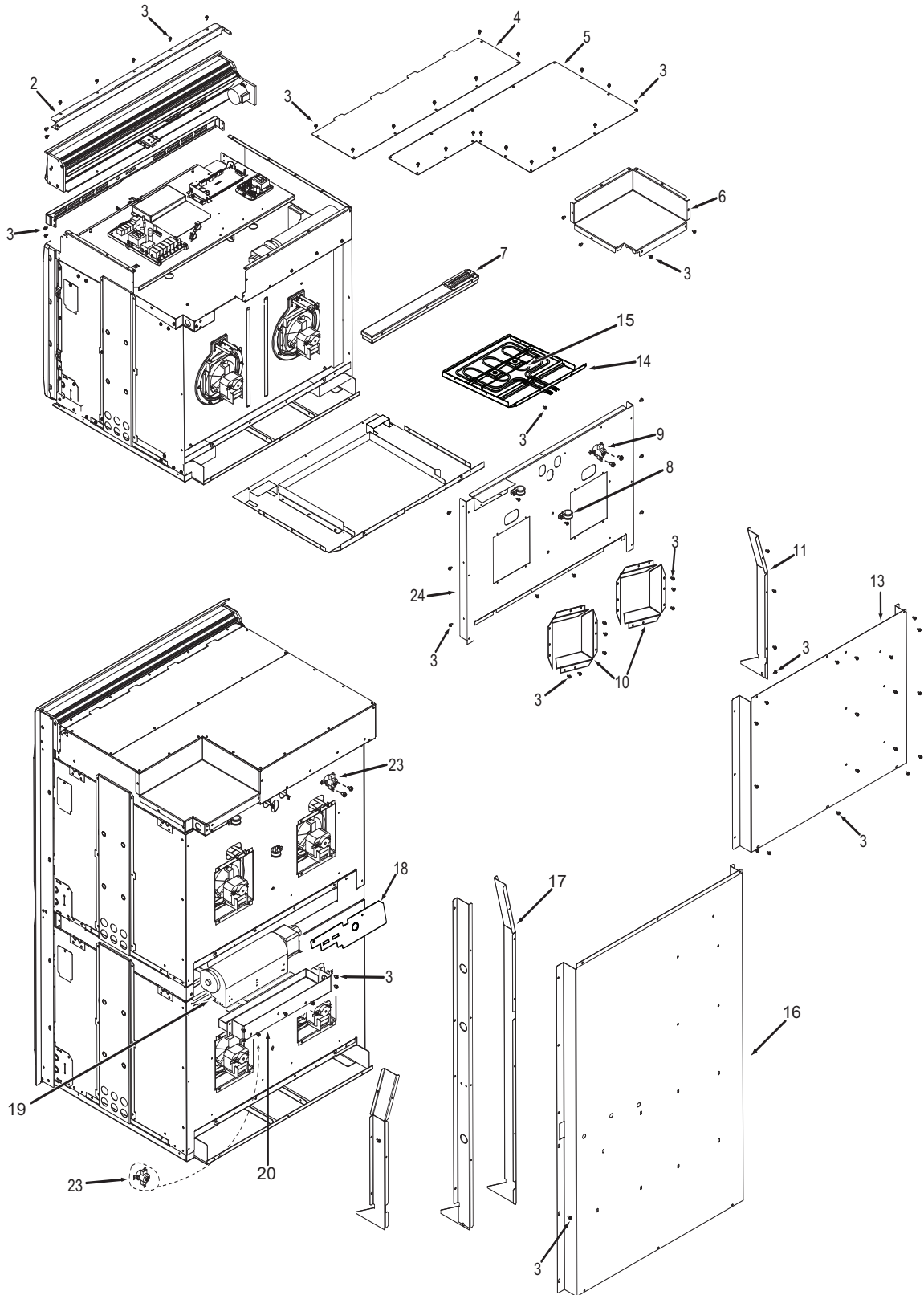
| <u>Ref #</u> | <u>Part #</u> | <u>Description</u> |
|--------------|---------------|---------------------------------|
| 1 | 801536 | Face Plate, Venting, Upper, 36" |
| 2 | 801582 | Stiffener, Top Module, 36" |
| 3 | 801542 | Screw, 8-18x3/8" |
| 4 | 801478 | Panel, Top Module, Front, 36" |
| 5 | 801331 | Cover, Large, 36" |
| 6 | 801803 | Cover, Small, Top Module, 36" |
| 7 | 808660 | Catalyst, Sub Assembly |
| 8 | 808607 | Strain Relief, Metal, 36" |
| 9 | 804554 | Switch, Thermostat, 36" Single |
| 10 | 808607 | Convection Fan Shrd, Wall Oven |
| 11 | 803334 | Channel, Exhaust, 36" |
| 12 | 803327 | Channel, Cooling, 36" |
| 13 | 801506 | Panel, Cover, Back, 36" |
| 14 | 802700* | Bake, Pan Sub Assembly, 36" |
| 15 | 800360* | Element, Bake, 36" |

Not Shown

| | |
|--------|---------------------------|
| 803503 | Plate, Vent Middle |
| 812458 | Wire Harness, Double Main |
| 812459 | Wire Harness, Single Main |

* See Bake Pan Assembly exploded view page 14.

**Oven Back Exploded View
Single and Double Oven**



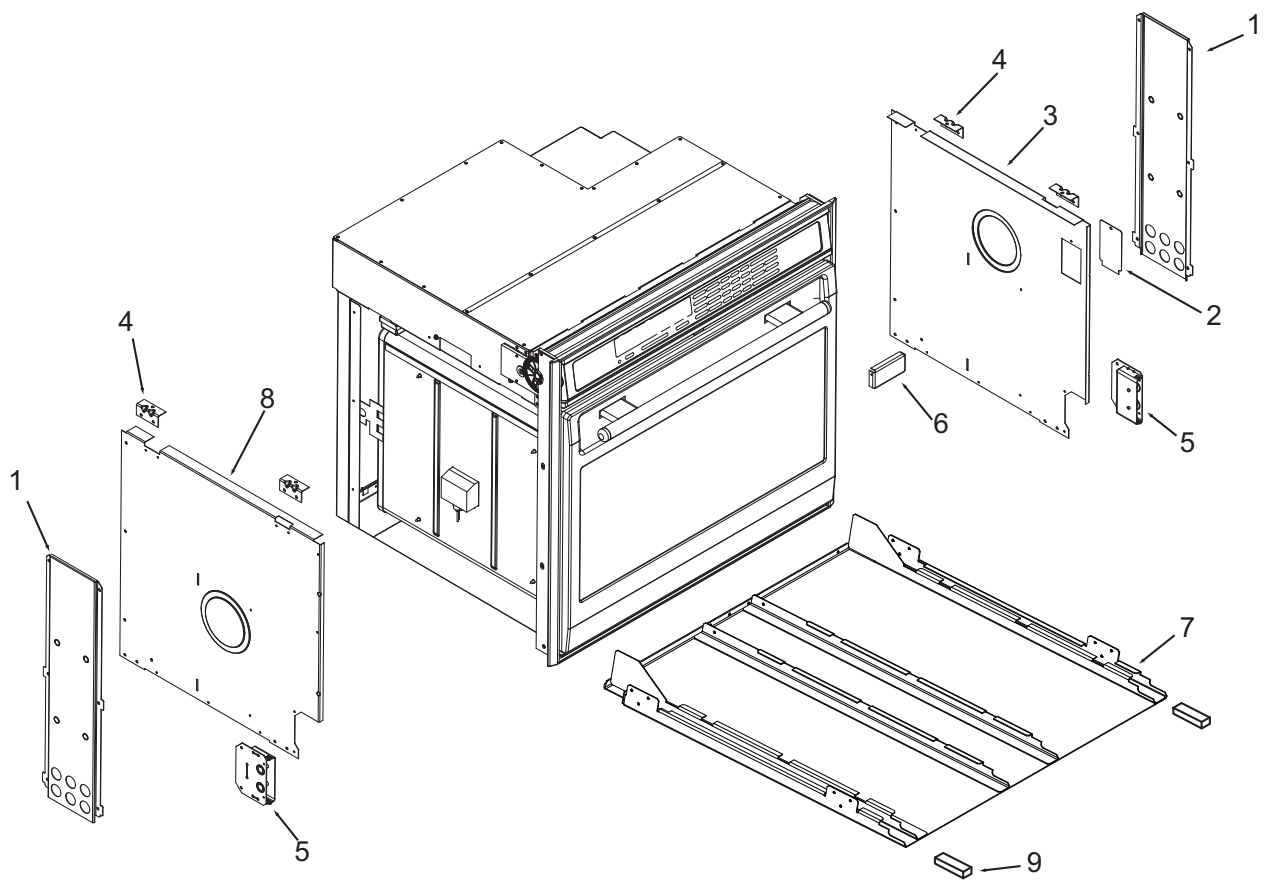
30" Side and Base View Parts List Single and Double Oven

| <u>Ref #</u> | <u>Part #</u> | <u>Description</u> |
|--------------|---------------|---------------------------|
| 1 | 820125 | Channel, Upper Venting |
| 2 | 800890 | Cover, Temperature Probe |
| 3 | 801721 | Enclosure, Rt Side 30" |
| 4 | 801475 | Bracket, Hold Down |
| 5 | 800926 | Hinge, Pocket |
| 6 | 800364 | Stiffener, U-Wrap |
| 7 | 808421 | Base, Assembly |
| 8 | 801720 | Enclosure, Left Side, 30" |
| 9 | N/A | Insulation, Channel Plug |

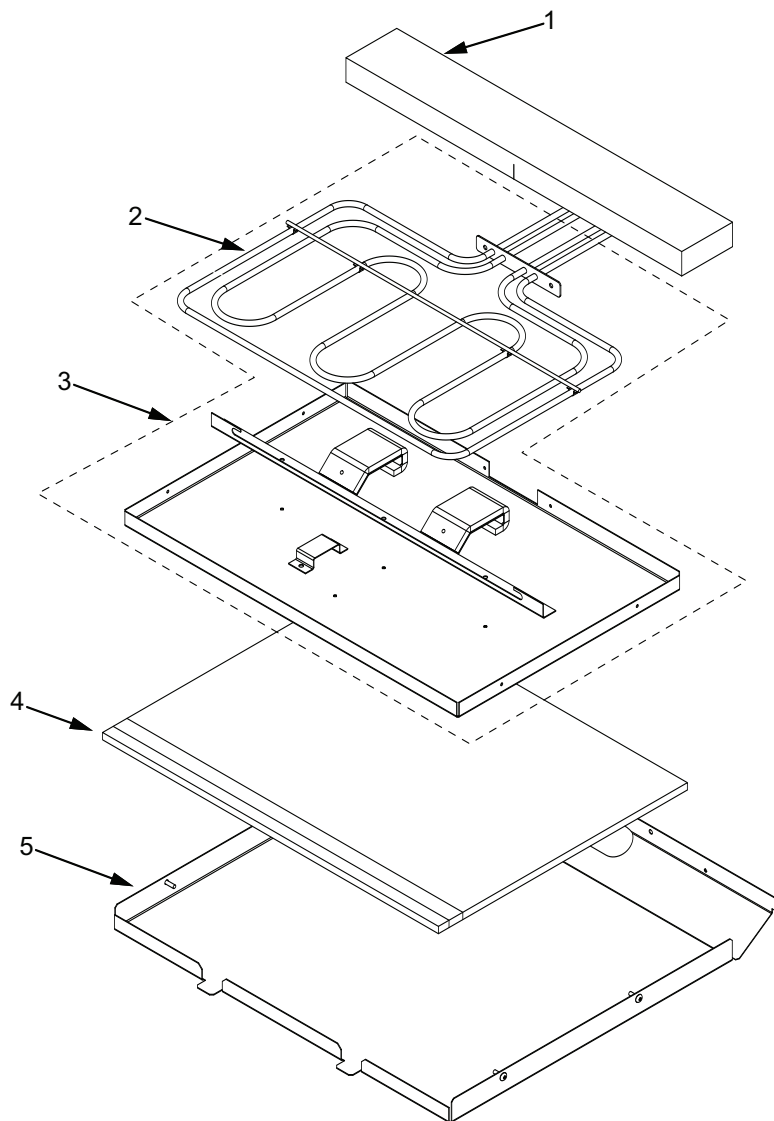
36" Side and Base View Parts List Single Oven

| <u>Ref #</u> | <u>Part #</u> | <u>Description</u> |
|--------------|---------------|--------------------------|
| 1 | 801335 | Channel, Upper Venting |
| 2 | 800890 | Cover, Temperature Probe |
| 3 | 801724 | Enclosure, Rt Side |
| 4 | 801475 | Bracket, Hold Down |
| 5 | 800926 | Hinge, Pocket |
| 6 | 800364 | Stiffener, U-Wrap |
| 7 | 804553 | Base, Assembly, 36" |
| 8 | 801723 | Enclosure, Left Side, |

**Oven Side and Base Exploded View
Single and Double Oven**



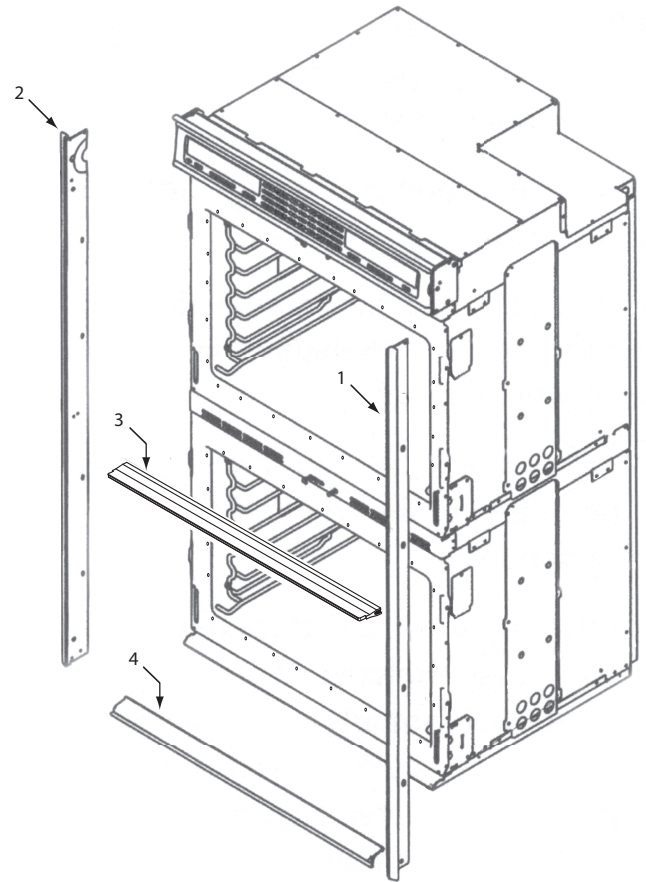
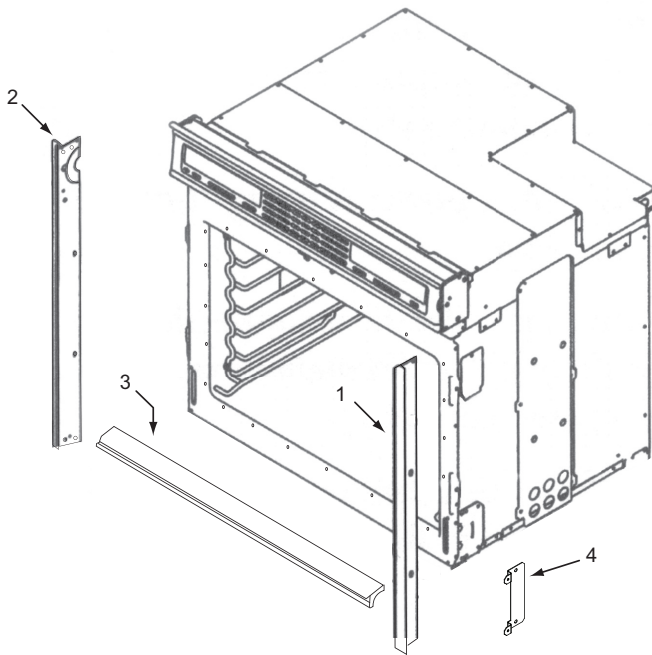
**Bake Pan Assembly Exploded View
Single and Double Oven**



**Bake Pan Parts List
Single and Double Oven**

| <u>Ref #</u> | <u>Part #</u> | <u>Description</u> |
|--------------|---------------|---------------------------|
| 1 | 808625 | Insulation, Bake Pan Back |
| 2 | 808605 | Element, Bake - Mgo 3500 |
| 3 | 808626 | Assy, Inner Bake Pan |
| 4 | 808627 | Insulation, Thk-Bake Pan |
| 5 | 808628 | Pan, Bake Element |

Trim Exploded View



| Model # | Ref# | Part # | Description |
|----------------|-------------|---------------|------------------------|
| SO30F/S | 1 | 800706 | Extrusion, Side, Right |
| | 2 | 800707 | Extrusion, Side, Left |
| | 3 | 805115 | Extrusion, Bottom |
| SO36U/S | 1 | 813876 | Extrusion, Side, Right |
| | 2 | 813875 | Extrusion, Side, Left |
| | 3 | 802731 | Extrusion, Bottom |
| SO30U/B | 1 | 800525 | Extrusion, Side, Right |
| | 2 | 800524 | Extrusion, Side, Left |
| | 3 | 805175 | Extrusion, Bottom |
| SO36U/B | 1 | 813878 | Extrusion, Side, Right |
| | 2 | 813877 | Extrusion, Side, Left |
| | 3 | 802743 | Extrusion, Bottom |
| SO36 | 4 | 811218 | Bracket, Trim Support |

Not Shown

808629 Washer, .25 x .625, Fiber

| Model # | Ref# | Part # | Description |
|----------------|-------------|---------------|------------------------|
| DO30F/S | 1 | 800389 | Extrusion, Side, Right |
| | 2 | 800390 | Extrusion, Side, Left |
| | 3 | 803720 | Extrusion, Middle |
| | 4 | 805115 | Extrusion, Bottom |
| DO30U/S | 1 | 800389 | Extrusion, Side, Right |
| | 2 | 800390 | Extrusion, Side, Left |
| | 2 | 803966 | Extrusion, Side, Left |
| | 4 | 805115 | Extrusion, Bottom |
| SO30U/P | 1 | 800518 | Extrusion, Side, Right |
| | 2 | 800519 | Extrusion, Side, Left |
| | 4 | 805174 | Extrusion, Bottom |
| SO36U/P | 1 | 813880 | Extrusion, Side, Right |
| | 2 | 813879 | Extrusion, Side, Left |
| | 4 | 802744 | Extrusion, Bottom |
| DO30U/P | 1 | 805186 | Extrusion, Side, Right |
| | 2 | 805185 | Extrusion, Side, Left |
| | 3 | 805184 | Extrusion, Middle |
| | 4 | 805174 | Extrusion, Bottom |
| DO30U/B | 1 | 805183 | Extrusion, Side, Right |
| | 2 | 805182 | Extrusion, Side, Left |
| | 3 | 805181 | Extrusion, Middle |
| | 3 | 805175 | Extrusion, Bottom |