

This Owner's Manual is provided and hosted by [Appliance Factory Parts](#).



# Haier DD400RS Owner's Manual

[Shop genuine replacement parts for Haier DD400RS](#)



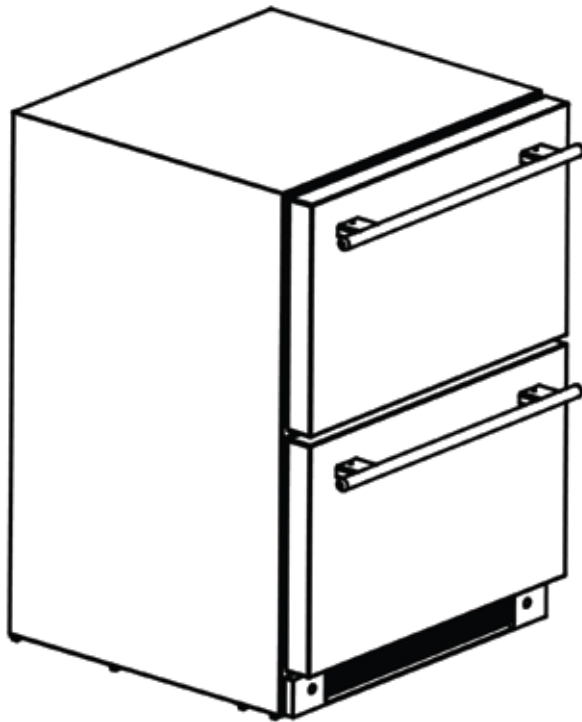
[Find Your Haier Refrigerator Parts - Select From 1148 Models](#)

----- Manual continues below -----

**Dual-Drawer Refrigerator**

**Réfrigérateur à deux tiroirs**

**Refrigerador de doble cajón**



User Manual | Guide d'utilisation | Manual de usuario

Models | Modèles | Modelos:

DD300RW (White exterior | extérieur blanc | exterior blanco)

DD350RB (Black exterior | extérieur noir | exterior negro)

DD400RS (Stainless steel door | porte en acier inoxydable | puerta de acero inoxidable)

**Haier**<sup>®</sup>

Quality • Innovation • Style

# Important Safeguards

**When using this appliance, always exercise basic safety precautions, including the following:**

1. Read all of the instructions before using this appliance.
2. Use this appliance only for its intended purpose as described in this use and care guide.
3. This refrigerator must be properly installed in accordance with the installation instructions before it is used. See grounded instructions in the installation section.
4. Never unplug your refrigerator by pulling on the power cord. Always grasp the plug firmly and pull straight out from the outlet.
5. Unplug your refrigerator before cleaning or before making any repairs.  
**Note:** If for any reason this product requires service, we strongly recommend that a certified technician performs the service.
6. Repair or replace immediately, all electric power cords that have become frayed or otherwise damaged. Do not use a cord that shows cracks or abrasion damage along its length, the plug or the connector end.
7. This appliance is designed for built-in use only into an enclosed cabinet.
8. If your old refrigerator is not being used, we recommend that you remove the door and leave the shelves in place. This will reduce possibility of danger to children.
9. Do not operate your refrigerator in the presence of explosive fumes.
10. Cabinet edges along stamp/cut-out areas may be sharp. Please avoid placing hands, fingers or other appendages near these areas.
11. This appliance is not intended for use by young children or infirm persons without supervision. Young children should be supervised to ensure they do not play with the appliance.

**12. CAUTION: DON'T USE EXTENSION CORDS.**

**NOTE:** Ambient operating temperature is between 55°-90°F.

## SAVE THESE INSTRUCTIONS

# DANGER

**Risk of child entrapment. Before you throw away your old appliance, take off the doors. Leave the shelves in place so that children may not easily climb inside.**

# Table Of Contents

## PAGE

<b>Important Safeguards</b> .....	<b>1</b>
<b>Parts And Overall Dimension</b> .....	<b>3</b>
<b>Pre-Installation Instructions</b> .....	<b>4</b>
Preparation before installing .....	4
Installation .....	5
<b>Interior Parts</b> .....	<b>6</b>
Crisper .....	6
Adjustable Divider .....	6
<b>Drawers</b> .....	<b>8</b>
Upper Drawer .....	8
Lower Drawer .....	8
<b>How To Use This Product</b> .....	<b>8</b>
Important notes before connecting the power supply .....	8
Connect the power supply .....	8
Interior LED bulb .....	8
Temperature setting .....	8
Degree Centigrade and Fahrenheit conversion .....	9
Power switch .....	9
Sabbath mode .....	9
Door Ajar Alarm .....	10
Auto Defrost .....	10
<b>Cleaning</b> .....	<b>10</b>
<b>TroubleShooting</b> .....	<b>11</b>
<b>Limited Warranty</b> .....	<b>12</b>

Thank you for using our Haier product. This easy-to-use manual will guide you in getting the best use of your refrigerator.

Remember to record the model and serial number. They are on a label in back of the refrigerator.

\_\_\_\_\_

Model number

\_\_\_\_\_

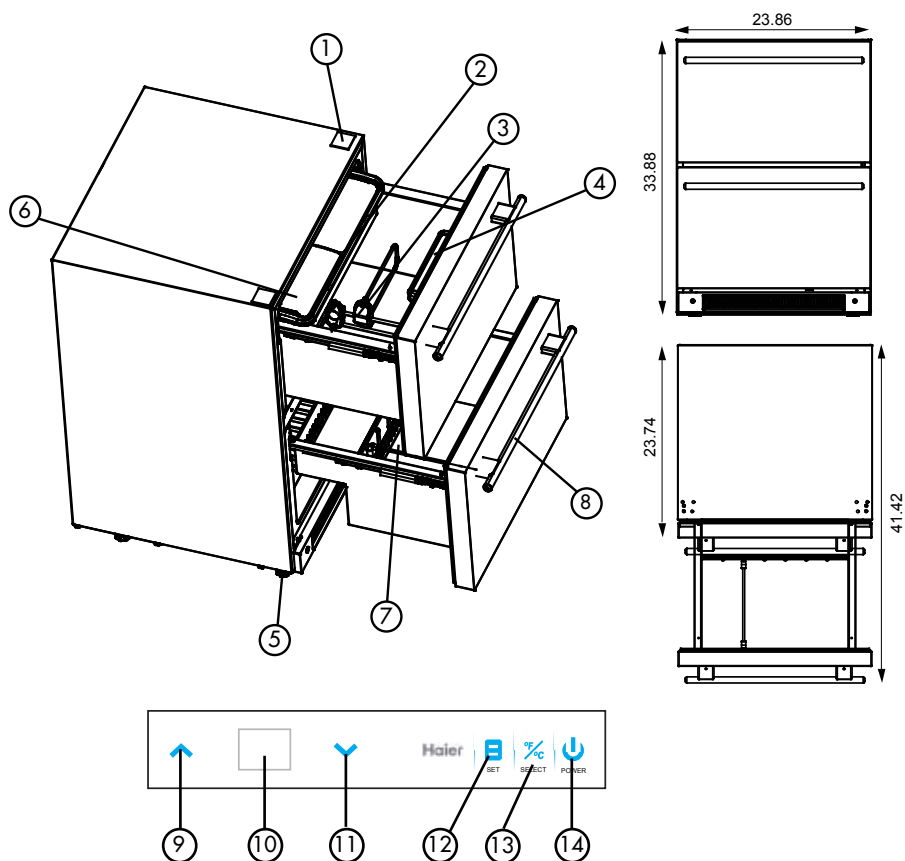
Serial number

\_\_\_\_\_

Date of purchase

Staple your receipt to your manual. **You will need it to obtain warranty service.**

# Parts And Overall Dimensions



- |                         |                      |
|-------------------------|----------------------|
| 1. Hinge Cover          | 8. Handle            |
| 2. Crisper              | 9. Temperature Up    |
| 3. Upper Drawer Divider | 10. LED Screen       |
| 4. Control Panel        | 11. Temperature Down |
| 5. Feet                 | 12. Control Lock/Set |
| 6. Accessory Package    | 13. °C/°F Conversion |
| 7. Lower Drawer Divider | 14. Power Switch     |

# Pre-Installation Instructions

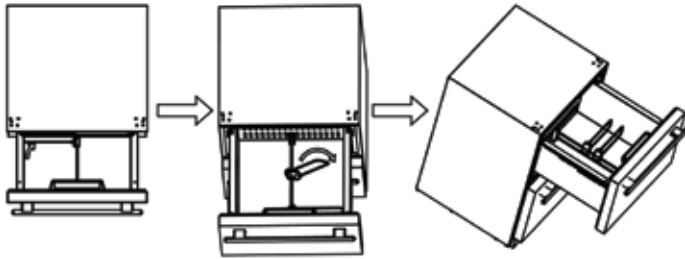
This refrigerator is for built-in use only. Before use, this product must be installed properly.

**Note:** Allow the unit to sit on its base for at least one hour before installation.

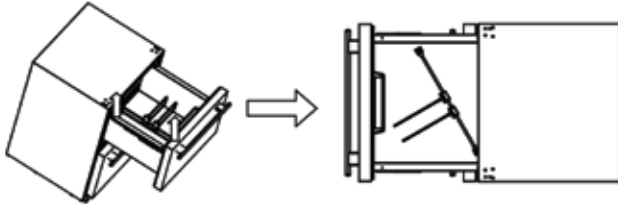
## Preparation Before Installing

First, clean product's surface with soft cloth, remove all protective packaging covering the product.

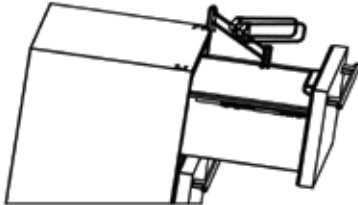
1. Pull the upper drawer open. Refer to the illustrations below. Remove crisper and set aside. Then place drawer dividers to one side as illustrated.



2. With two hands, lift up on the metal drawer divider rod to remove from the slots in the front and rear of the drawer. Once the drawer divider rod is free from the slots (as illustrated), turn and lift as not to hit the control panel.



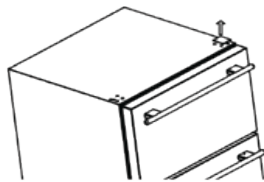
3. Take the drawer divider assembly out of the upper compartment and place safely aside.



**Note:** After completing these three steps please close the upper drawer to avoid damage to your person and product during installation.

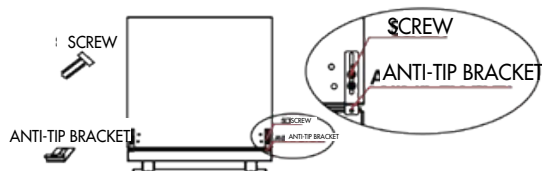
## Installation

1. Take off hinge cover(Part #1, page 3) with upwards motion. Refer to illustration below:

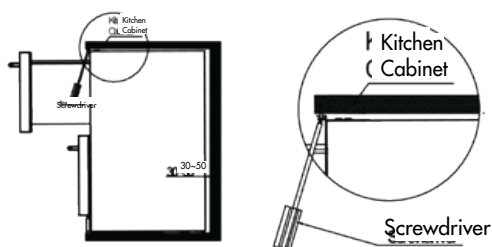


2. Take the anti-tip bracket and screws from the accessory bag. Tighten the anti-tip bracket on the top of the product with screws as follows in the illustration.

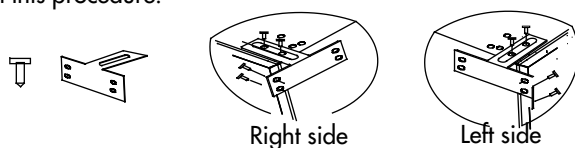
**Note:** Follow instructions properly or you may do damage to product.



3. Pull upper drawer open and attach the anti-tip bracket to counter by screw as seen below. Adjustment of the leveling legs under the unit may be necessary for a proper fit in the cabinet opening. Start with the rear legs(if necessary) before you slide the unit fully into the opening-rise or lower the rear legs to make the unit fit properly. Then carefully slide the unit into opening as not to damage accidentally cabinetry or the floor. Then perform the same adjustments to the front leveling legs to bring the front of unit to the proper level to install the anti-tip bracket and fit evenly under the counter.



4. Another set of anti-tip brackets for side installation is provided as option when the counter top is granite and hard to fix by screws. This set of brackets include two anti-tip brackets and eight screws for installation on left side and right side of the cabinet. Below illustration shows this, the drawer needs to be open to perform this procedure.



# Interior Parts

## Crisper

One crisper with cover is located in upper drawer.

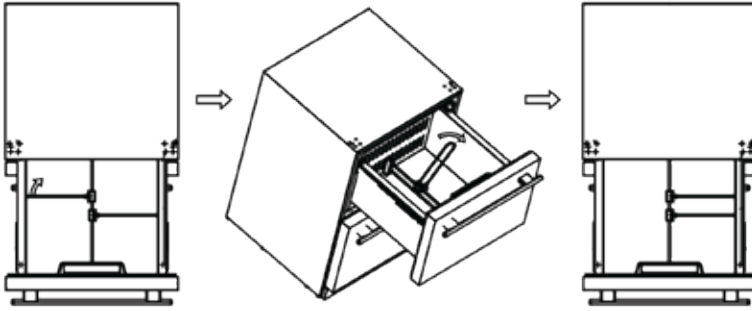
**Purpose:** Convenient storage of fresh vegetables. The user can remove the crisper if it is not needed.

## Adjustable Divider

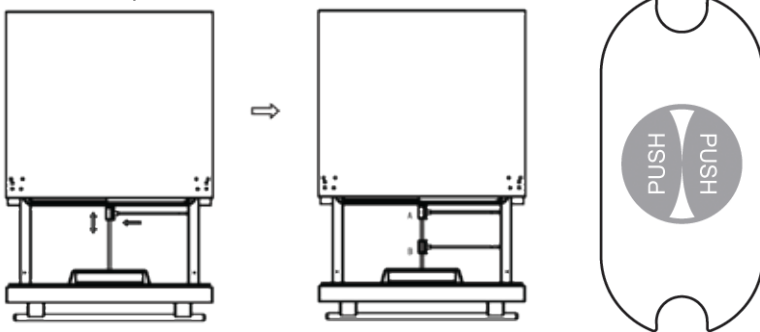
There is an adjustable divider in each drawer. User can adjust them for flexibility in food storage. The user can remove the dividers if they are not needed.

**Note:** Keep divider in a safe place if removed from the unit away from children.  
The drawers are designed to hold up to 44.1 pounds / 20KG of food items.

Separate the compartment to left and right or vice versa.



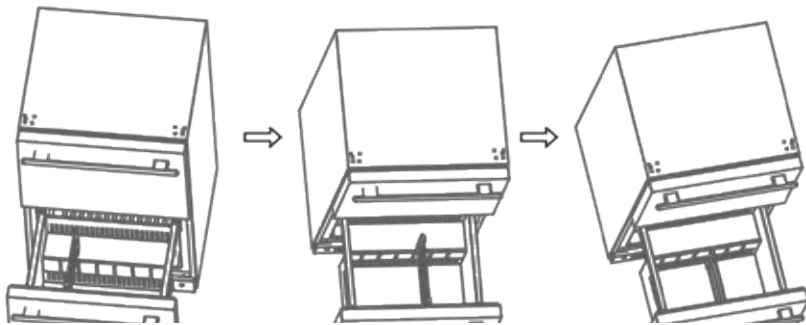
Separate the compartment to back and front or vice versa.



The upper compartment is separated by a divider fastened to the bin cradle of the upper compartment. Those two dividers can be adjusted left and right, also back and front. For left and right adjust: rotate directly. For back and front: you should push the "PUSH" (see illustration) button in middle connector and move it back to front. If you want to clean your refrigerator, you can remove the shelf following steps located in section "Preparation before installation".

**Purpose:** User can separate the upper compartment with divider according to personal needs. This feature also allows to keep foods from falling down or spilling when the drawers are opened or closed.

Adjust the divider in lower compartment by referring to illustration:



The divider in lower compartment is fixed between the embossments of front and back wall of drawer. You can choose different embossments to divide into different spaces in drawer.

**Purpose:** Separate the lower compartment with divider according to personal needs.

# Drawers

## Upper Drawer

Can hold any item under 12 inches tall.

## Lower Drawer

Lower drawer is separated by step. Foods or beverage whose height is less than 12 inches can be kept in the space without step. Smaller items can be kept in space with step.

# How to use this product

## Important Notes Before You Connect the Power Supply

Actual power supply should be kept in accordance with marks on rating plate(115V/60HZ). Rating plate is on back of unit.

Power socket should be equipped with fuse of 10A. Allow the unit to sit on its base for at least one hour before installation.

CAUTION: DON'T USE EXTENSION CORDS

## Connect the power supply

Unit is tested and set to be 38°F before leaving the factory. When connected with the power supply, unit will work properly.

## Interior LED bulb:

LED bulb is located on top of interior liner in each upper and lower compartment. It is controlled by drawer opening and closings: when drawer is open, it's on, when drawer is closed, it's off.

**Caution:** There are magnets that are affixed on left side of interior upper drawer and bottom of lower drawer door. Don't remove them as they are required for proper functioning of the light system.

## Temperature setting:

If you want to change temperature, press "SET" for three seconds, the unit will beep, temperature will flash in control panel, then you can adjust the figure using the "∨" and "∧" buttons. When desired temperature is set, press the "SET" button again to confirm your setting. The user will hear a beep and the temperature will no longer flash.

If you want to lower the temperature, press the "∨" button.

If you want to raise the temperature, press the "∧" button.

## Temperature range is : 34-45°F (1-7°C)



**Degree Centigrade and Fahrenheit Conversion:**

Press and hold "SELECT" for 3 seconds, temperature display will change from Fahrenheit to Centigrade degree, the unit will beep once. Press and hold "SELECT" for 3 seconds, it will change from Centigrade back to Fahrenheit, the unit will respond with a beep again.

**Power switch:**

Display panel has power button. If you want to stop unit from working for a short time or to restart, press and hold "POWER" for 3 seconds to turn on and off.

**Note:** If you want to stop the unit from working for an extended period of time, please shut off unit, unplug the unit, remove food, clean refrigerator, and leave drawer of unit slightly open to prevent odors.

**Sabbath mode:**

Press and hold "^" and "√" at the same time for 3 seconds, the unit will beep once, display panel will flash 5 times and stop. This indicates that the unit has entered Sabbath mode. In this mode, normal cooling operations still take place (compressor, magnetic valve, fan, heater strip), but all luminous equipment including display panel, and LED bulb will shut off no matter if door is opening or closing.

Press and hold "^" and "√" at the same time for 3 seconds, after display panel flashes 5 times, you can exit from Sabbath mode.

**Note:** This mode is available for the observance of certain religious holidays.

**Door Ajar Alarm:**

If the door of unit is ajar for more than 3 minutes, the system will give a beeping alarm. If you want to stop it, please press "SET" button.

**Auto Defrost:**

Unit can defrost automatically: The water on back wall will drain into water tank and be evaporated by the condenser.

# Cleaning

**Before cleaning, turn unit off.**

Clean interior surfaces and accessories and outer frame with cold water and a little baking soda.

Don't clean with steam to avoid damage to product.

Don't use abrasive, acidic and chemical cleanser.

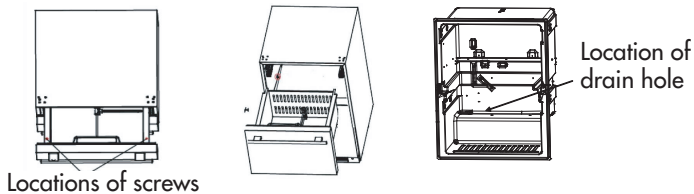
Keep cleaning liquids away from electrical equipment.

Clean and dry all accessories.

Clean drain hole which is between compartments of unit with a small and soft material such as cotton swab. (Drain hole is located behind the lower drawer, please refer to "Drawer Removal" section for these instructions.)

**Drawer Removal**

1. Pull out the lower drawer, dismount the two screws which fixed the lower drawer to the slides with screwdriver in counterclockwise direction.
2. Remove the lower drawer.
3. Clean the drain hole illustrated below with a soft material such as cloth swab, then install the lower drawer according to the reverse procedure as above.



# Troubleshooting

## **If Refrigerator does not operate:**

Check if refrigerator is plugged in.

Check if there is power in the AC outlet, by checking the circuit breaker.

## **If Refrigerator is too warm:**

Frequent door openings.

Allow time for recently added food items to reach desired temperature.

Check gaskets for proper seal.

Clean condenser coils.

Adjust temperature control to colder setting.

## **If Refrigerator runs too frequently:**

This may be normal to maintain constant temperature during high temperature and humid days.

Doors may have been opened frequently or left open for an extended period of time.

Clean condenser coils.

Check gasket for proper seal.

Check to see if doors are completely closed.

## **If Moisture build up on interior or exterior of the refrigerator:**

This is normal during high humidity periods.

Prolonged or frequent door openings.

Check gaskets for proper seal.

## **If Refrigerator drawer does not shut properly:**

Level the refrigerator.

Check for blockages e.g. beverage bottles, foods spill, etc.

# Limited Warranty

## What is covered and for how long?

This warranty covers all defects in workmanship or materials for a period of :

**1 year parts (In Home)**

**1 year labor (In Home)**

**5 years sealed system**

The warranty commences on the date the item was purchased and the original purchase receipt must be presented to the authorized service center before warranty repairs are rendered.

### **EXCEPTIONS: Commercial or Rental Use Warranty**

**90 days labor (In Home)**

**90 days parts (In Home)**

**No other warranty applies**

## What is covered?

The mechanical and electrical parts, which serve as a functional, purpose of this appliance for a period of 12 months. This includes all parts except finish and trim.

The components of the sealed system e.g. hermetic compressor, condenser and evaporator from manufacturing defects for a period of 5 years from the date of purchase.

Any damages to such components caused by mechanical abuse or improper handling or shipping will not be covered.

## What will be done?

We will repair or replace, at our discretion any mechanical or electrical part which proves to be defective in normal usage during the warranty period so specified.

There will be no charge to the purchaser for parts and labor on any covered items during the initial 12 month period. Beyond this period only parts are

covered in the remaining warranty.

Labor is not provided and must be paid by the customer.

Contact your nearest authorized service center. For the name of the nearest service center please call 1-877-337-3639

**THIS WARRANTY COVERS APPLIANCES WITHIN THE CONTINENTAL UNITED STATES, PUERTO RICO AND CANADA. IT DOES NOT COVER THE FOLLOWING:**

Damages from improper installation.

Damages in shipping.

Defects other than manufacturing.

Damage from misuse, abuse, accident, maintenance or incorrect current or voltage.

Damage from other than household use.

Damage from service by other than an authorized dealer or service center.

Decorative trims or replaceable light bulbs.

Transportation and shipping.

Labor (after the initial 12 months).

**THIS LIMITED WARRANTY IS GIVEN IN LIEU OF ALL OTHER WARRANTIES, EXPRESSED OR, INCLUDING THE WARRANTY OF MERCHANTABILITY AND FITNESS FOR A PARTICULAR PURPOSE**

The remedy provided in this warranty is exclusive and is granted in lieu of all other remedies.

This warranty does not cover incidental or consequential damages, so the above limitations may not apply to you. Some States do not allow limitations on how long an implied warranty lasts, so the above limitations may not apply to you.

This warranty gives you specific legal rights, and you may have other rights, which vary, from state to state.

Haier America  
New York, NY 10018

# Mesures de protection importantes

Lors de l'utilisation de cet appareil, des consignes de sécurité de base doivent être respectées, y compris ce qui suit :

1. Lisez toutes les instructions avant d'utiliser cet appareil.
2. N'utilisez cet appareil qu'aux fins prévues, telles qu'elles sont décrites dans ce guide d'utilisation et d'entretien.
3. Ce réfrigérateur doit être installé conformément aux instructions d'installation avant d'être utilisé. Consultez les instructions de mise à la terre dans la section traitant de l'installation.
4. Ne débranchez jamais votre réfrigérateur en tirant sur le cordon d'alimentation. Saisissez toujours la fiche fermement et tirez-la en ligne droite pour la sortir de la prise de courant.
5. Débranchez votre réfrigérateur avant de le nettoyer ou de procéder à des réparations.  
**Remarque** : Si pour une raison ou une autre ce produit nécessite un entretien, nous vous recommandons fortement de faire appel aux services d'un technicien agréé.
6. Réparez ou remplacez immédiatement tous les cordons d'alimentation électrique qui s'effilochent ou étant autrement endommagés. N'utilisez pas de cordon si celui-ci, la fiche ou l'embout du connecteur présente des fissures ou d'autres dommages causés par l'abrasion.
7. Cet appareil est conçu en tant qu'unité encastrable devant être uniquement installé dans une armoire.
8. Si votre vieux réfrigérateur n'est pas actuellement utilisé, nous recommandons d'en retirer les portes et de laisser les étagères en place. Cela réduira les risques pour les enfants.
9. Ne faites pas fonctionner votre réfrigérateur en présence de fumées explosives.
10. Les rebords de l'armoire peuvent être coupants le long des zones de découpage. Évitez de mettre les mains, les doigts ou d'autres appendices près de ces zones.
11. Cet appareil n'est pas conçu pour une utilisation par de jeunes enfants ou des personnes déficientes sans supervision. Les jeunes enfants doivent être surveillés afin de s'assurer qu'ils ne jouent pas avec cet appareil.
12. **MISE EN GARDE : N'UTILISEZ PAS DE RALLONGE ÉLECTRIQUE.**

## CONSERVEZ CES INSTRUCTIONS

# DANGER

Risque qu'un enfant soit enfermé. Enlevez les portes de votre vieil appareil avant de le mettre au rebut. Laissez les étagères en place pour rendre l'accès plus difficile aux enfants.

# Table des matières

	PAGE
<b>Mesures de protection importantes</b> .....	<b>1</b>
<b>Pièces et encombrement</b> .....	<b>3</b>
<b>Directives à suivre avant l'installation</b> .....	<b>4</b>
Préparation avant l'installation .....	4
Installation .....	5
<b>Pièces internes</b> .....	<b>6</b>
Bac à légumes .....	6
Diviseur ajustable.....	6
<b>Tiroirs</b> .....	<b>8</b>
Tiroir supérieur .....	8
Tiroir inférieur .....	8
<b>Comment utiliser ce produit</b> .....	<b>8</b>
Remarques importantes avant de brancher l'alimentation électrique .....	8
Branchement de l'alimentation.....	8
Ampoule à DEL intérieure.....	8
Réglage de la température : .....	8
Conversion des degrés Celsius et Fahrenheit : .....	9
Interrupteur de marche/arrêt : .....	9
Mode Sabbath : .....	9
Alarme de porte ouverte : .....	10
Dégivrage automatique : .....	10
<b>Nettoyage</b> .....	<b>10</b>
<b>Dépannage</b> .....	<b>11</b>
<b>Garantie limitée</b> .....	<b>12</b>

Merci d'utiliser ce produit Haier. Ce guide facile à suivre vous aidera à utiliser votre réfrigérateur de façon optimale.

\_\_\_\_\_  
Numéro de modèle

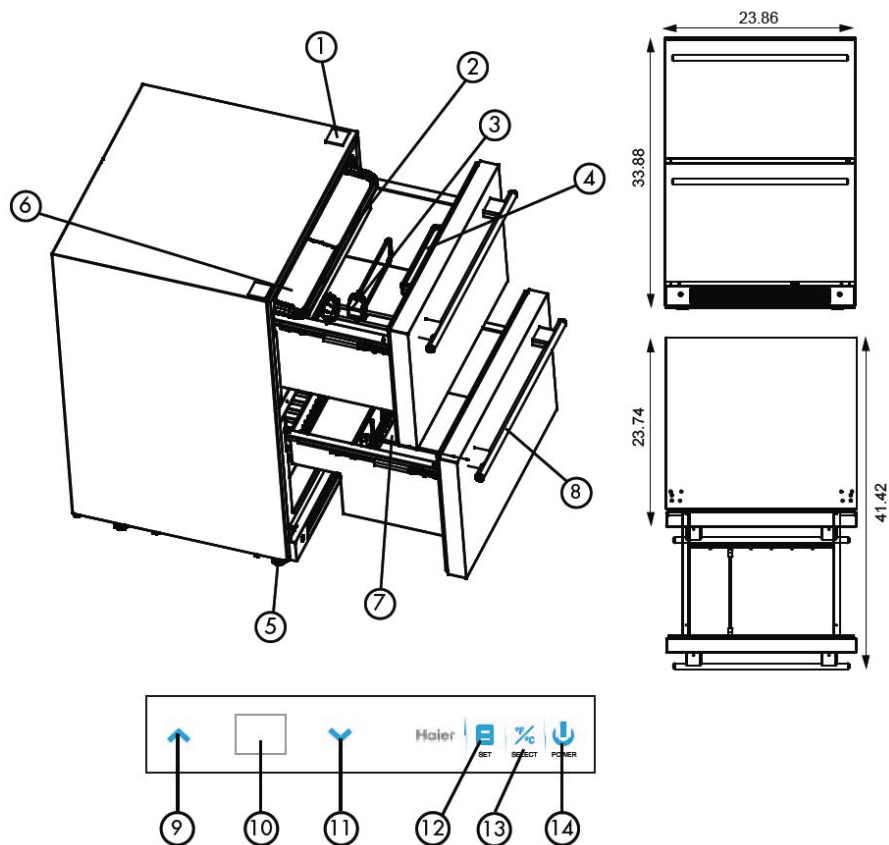
Rappelez-vous de prendre en note les numéros de modèle et de série. Ils sont indiqués sur l'étiquette à l'arrière de votre réfrigérateur.

\_\_\_\_\_  
Numéro de série

\_\_\_\_\_  
Date d'achat

Brochez votre reçu de caisse à votre guide. **Vous en aurez besoin pour obtenir du service en vertu de la garantie.**

# Pièces et encombrement



- |                                 |  |
|---------------------------------|--|
| 1. Couvercle à charnières       | 8. Poignée                             |
| 2. Bac à légumes                | 9. Température vers le haut            |
| 3. Diviseur du tiroir supérieur | 10. Écran à DEL                        |
| 4. Tableau de commande          | 11. Température vers le bas            |
| 5. Pattes                       | 12. Verrouillage/réglage des commandes |
| 6. Accessoires                  | 13. Conversion ° C/° F                 |
| 7. Diviseur du tiroir inférieur | 14. Interrupteur de marche/arrêt       |

# Directives à suivre avant l'installation

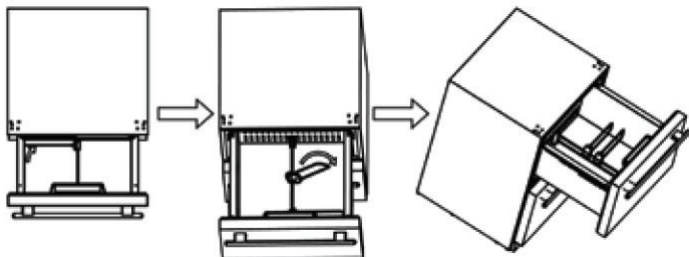
Ce réfrigérateur est destiné à un usage en tant qu'appareil encastré uniquement. Avant l'utilisation, il doit être correctement installé.

Remarque : Laissez l'appareil reposer sur sa base au moins une heure avant d'effectuer l'installation.

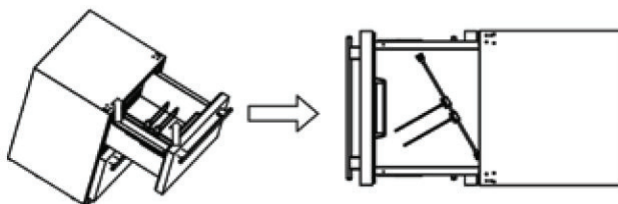
## Préparation avant l'installation

Nettoyez d'abord la surface du produit avec un linge doux et retirez tout l'emballage de protection qui recouvre le produit.

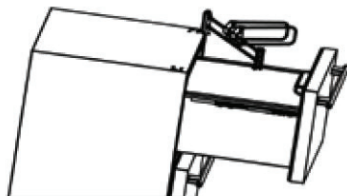
1. Ouvrez le tiroir supérieur. Consultez les illustrations ci-dessous. Retirez le bac à légumes et mettez-le de côté pour l'instant. Placez ensuite les diviseurs de tiroir sur un des côtés, tel que montré.



2. À l'aide des deux mains, soulevez la tige du diviseur de tiroir en métal pour la retirer des rainures à l'avant et à l'arrière du tiroir. Une fois que la tige du diviseur de tiroir est retirée des rainures (tel que montré), soulevez et tournez de sorte à ne pas frapper le tableau de commande.



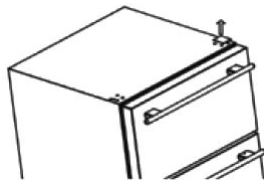
3. Retirez le diviseur de tiroir du compartiment supérieur et placez-le en lieu sûr.



**Remarque :** Après avoir effectué ces trois étapes, veuillez fermer le tiroir supérieur afin d'éviter toute blessure et tout dommage au produit pendant l'installation.

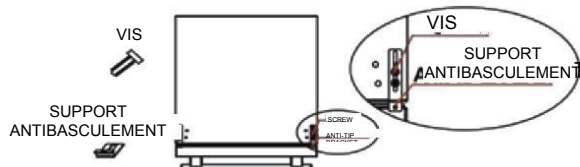
## Installation

1. Retirez le couvercle à charnière (page 3, pièce 1) en le soulevant. Consultez l'illustration ci-dessous :

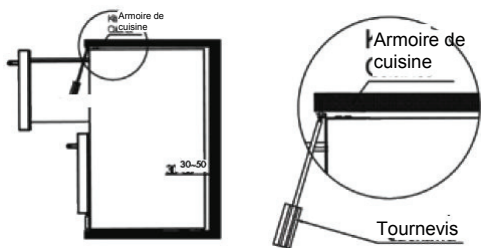


2. Sortez le support antibasculement et les vis du sac d'accessoires. Serrez le support antibasculement sur le dessus du produit avec les vis comme suit, tel que montré dans l'illustration.

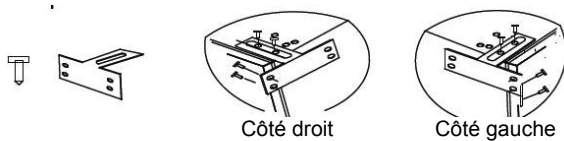
**Remarque :** Suivez les instructions à la lettre car sinon vous risquez d'endommager le produit.



3. Ouvrez le tiroir en le tirant et fixez le support antibasculement au comptoir à l'aide des vis, tel que montré ci-dessous. Il peut être nécessaire d'ajuster les pattes de nivellement sous l'appareil pour qu'il s'adapte correctement dans l'ouverture d'armoire. Commencez par les pattes arrière (si nécessaire) avant de glisser l'appareil entièrement dans l'ouverture; soulevez ou abaissez les pattes arrière de sorte que l'appareil s'adapte correctement à l'ouverture. Puis, glissez délicatement l'appareil dans l'ouverture en prenant garde de ne pas endommager accidentellement les armoires ou le plancher. Effectuez ensuite les mêmes ajustements aux pattes de nivellement avant de sorte que la partie avant de l'appareil soit au niveau approprié pour installer le support antibasculement et s'adapte correctement en-dessous du comptoir.



4. Un autre ensemble de supports antibasculement est fourni pour l'installation latérale en tant qu'option lorsque le comptoir est en granite et que la fixation à l'aide de vis peut être difficile. Cet ensemble de supports comprend deux supports antibasculement et huit vis pour l'installation du côté gauche. Cette installation est montrée à l'illustration ci-dessous. Le tiroir doit être ouvert pour effectuer cette installation.



# Pièces internes

## Bac à légumes

Un bac à légumes est placé dans le tiroir supérieur.

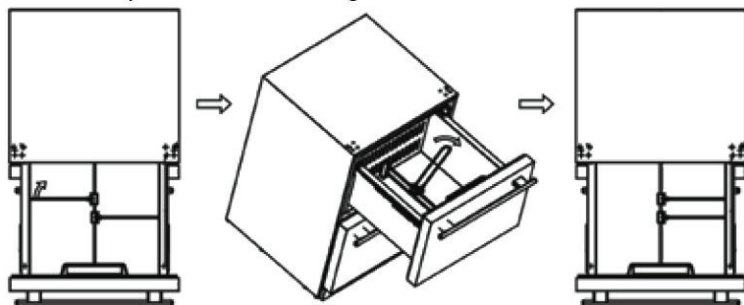
**Utilité :** Rangement pratique des légumes frais. L'utilisateur peut enlever le bac à légumes s'il n'est pas requis.

## Diviseur ajustable

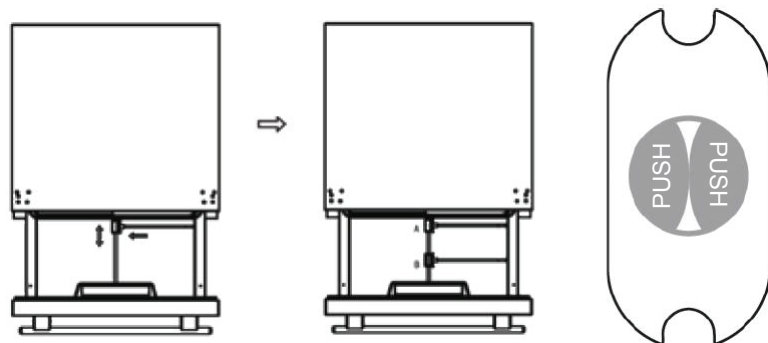
Chaque tiroir est doté d'un diviseur ajustable. L'utilisateur peut l'ajuster selon ses besoins pour le rangement des aliments. L'utilisateur peut enlever les diviseurs s'ils ne sont pas requis.

**Remarque :** Gardez le diviseur en lieu sûr, loin des enfants, s'il est retiré de l'appareil. Les tiroirs sont conçus pour soutenir jusqu'à 20 kg (44,1 lb) d'aliments.

Séparez les compartiments de gauche et de droit et vice versa.



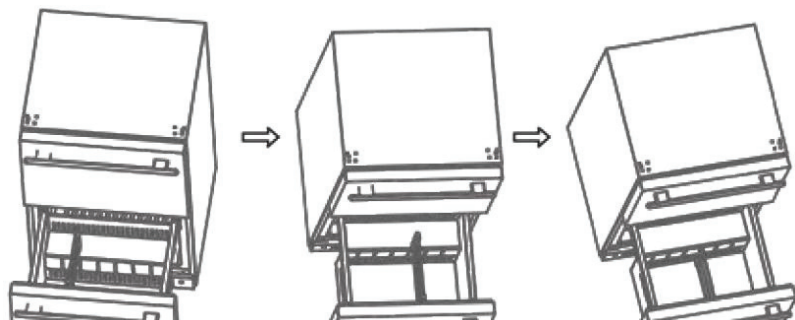
Séparez les compartiments avant et arrière et vice versa.



Le compartiment supérieur est séparé par un diviseur fixé au support de compartiment du compartiment supérieur. Ces deux diviseurs peuvent être ajustés à gauche et à droite ainsi que vers l'avant et l'arrière. Pour un ajustement gauche et droit : tournez tout simplement. Pour un ajustement avant et arrière : vous devez pousser sur le bouton « PUSH » (consultez l'illustration) du connecteur du centre et le déplacer vers l'avant. Pour nettoyer votre réfrigérateur, vous pouvez enlever l'étagère en suivant les étapes indiquées dans la section « Préparation avant l'installation ».

**Utilité :** L'utilisateur peut séparer le compartiment supérieur à l'aide d'un diviseur selon ses besoins. Cette caractéristique permet également d'éviter que les aliments ne tombent ou ne déversent lorsque les tiroirs sont ouverts ou fermés.

Ajustez le diviseur du compartiment inférieur en vous référant à l'illustration.



Le diviseur du compartiment inférieur est fixé entre les parties en relief de la paroi avant et arrière du tiroir. Vous pouvez choisir différentes parties en relief pour diviser le tiroir en différentes sections.

**Utilité :** Séparer le compartiment inférieur à l'aide d'un diviseur selon ses besoins.

# Tiroirs

## Tiroir supérieur

Peut soutenir tout article de 30 cm (12 po) et moins de hauteur.

## Tiroir inférieur

Le tiroir inférieur est séparé en gradations. Les aliments ou les boissons dont le contenant est de moins et de 30 cm (12 po) peuvent être conservés dans cet espace sans gradation. Les plus petits articles peuvent être placés dans cet espace sans gradation.

# Comment utiliser ce produit

## Remarques importantes avant de brancher l'alimentation électrique

L'alimentation électrique doit être conforme aux indications de la plaque signalétique (115 V/60 Hz). La plaque signalétique est située à l'arrière de l'appareil.

La prise de courant doit être munie d'un fusible de 10 A. Laissez l'appareil reposer sur sa base au moins une heure avant d'effectuer l'installation.

MISE EN GARDE : N'UTILISEZ PAS DE RALLONGE ÉLECTRIQUE

## Branchement de l'alimentation

L'appareil est testé et réglé à 38° F avant qu'il ne soit expédié de l'usine. Lorsqu'il sera branché à l'alimentation électrique, l'appareil fonctionnera correctement.

## Ampoule à DEL intérieure

Une ampoule à DEL est installée dans la partie supérieure du recouvrement interne de chacun des compartiments. La lumière s'allume et s'éteint par l'ouverture et la fermeture du tiroir : lorsque le tiroir est ouvert, elle s'allume. Puis, elle s'éteint lorsque le tiroir est fermé.

**Mise en garde :** Des aimants sont apposés sur le côté gauche du tiroir supérieur interne et au bas de la porte de tiroir inférieur. Ne les retirez pas car ils sont nécessaires au bon fonctionnement du système d'éclairage.

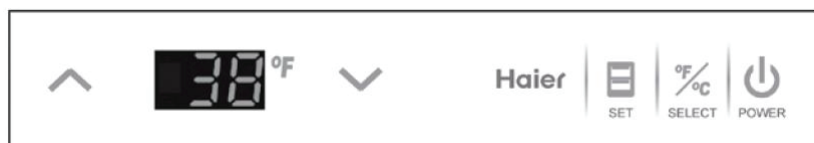
## Réglage de la température :

Si vous désirez changer la température, appuyez sur la touche « SET » et maintenez-la pendant trois secondes. L'appareil émettra un son et la température clignotera sur le tableau de commande. Vous pouvez alors ajuster le chiffre en utilisant les touches « ∨ » et « ∧ ». Lorsque la température désirée est réglée, appuyez de nouveau sur le bouton « SET » pour confirmer votre réglage. Vous entendrez un son et la température ne clignotera plus.

Si vous désirez abaisser la température, appuyez sur la touche « ∨ ».

Si vous désirez monter la température, appuyez sur la touche « ∧ ».

**La gamme de températures est : 1 à 7° C (34 à 45° F)**



### Conversion des degrés Celsius et Fahrenheit :

Appuyez sur la touche « SELECT » et maintenez-la enfoncée pendant 3 secondes. L'affichage de la température passera des degrés Fahrenheit à Celsius. L'appareil émettra alors un son.

Appuyez sur la touche « SELECT » et maintenez-la enfoncée pendant 3 secondes. L'affichage de la température passera des degrés Celsius à Fahrenheit. L'appareil émettra alors un son de nouveau.

### Interrupteur de marche/arrêt :

Le panneau d'affichage est doté d'une touche de mise en marche/arrêt. Si vous désirez interrompre le fonctionnement de l'appareil pendant une courte période ou le redémarrer, appuyez sur la touche « POWER » et maintenez-la enfoncée pendant 3 secondes pour mettre l'appareil en marche et en arrêt.

**Remarque :** Si vous désirez arrêter le fonctionnement de l'appareil pendant une période prolongée, débranchez l'appareil, enlevez les aliments, nettoyez le réfrigérateur et laissez l'appareil légèrement ouvert afin d'empêcher la production d'odeurs.

### Mode Sabbath :

Appuyez sur les touches «  $\wedge$  » et «  $\vee$  » en même temps et maintenez-les enfoncées pendant 3 secondes. L'appareil émettra alors un son, le panneau d'affichage clignotera 5 fois et arrêtera.

Cela indique que l'appareil est passé au mode Sabbath. Dans ce mode, les opérations normales de refroidissement ont toujours lieu (compresseur, vanne électromagnétique, ventilateur, cordon chauffant), mais tout l'équipement lumineux, incluant le panneau d'affichage et l'ampoule à DEL, est fermé que la porte soit ouverte ou fermée.

Appuyez sur les touches «  $\wedge$  » et «  $\vee$  » en même temps et maintenez-les enfoncées pendant 3 secondes. Lorsque le panneau d'affichage clignote 5 fois, cela signifie que vous quittez le mode Sabbath.

**Remarque :** Ce mode est disponible pour certaines pratiques religieuses.

**Alarme de porte ouverte :**

Si la porte de l'appareil demeure ouverte plus de 3 minutes, le système émet une alarme sonore. Si vous désirez l'arrêter, veuillez appuyer sur la touche « SET ».

**Dégivrage automatique :**

L'appareil peut effectuer un dégivrage automatique. L'eau de la paroi arrière se vidange dans le réservoir d'eau et s'évapore par le condensateur.

# Nettoyage

**Éteignez l'appareil avant de le nettoyer.**

Nettoyez les surfaces internes et les accessoires ainsi que le châssis externe avec de l'eau chaude et un peu de bicarbonate de soude.

Ne le nettoyez pas à la vapeur car vous risquez d'endommager le produit. N'utilisez pas de nettoyant abrasif, acide et chimique.

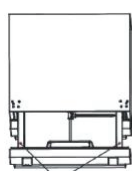
Gardez les liquides de nettoyages éloignés de l'équipement électrique.

Nettoyez et asséchez tous les accessoires.

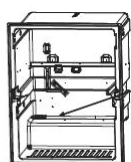
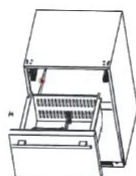
Nettoyez l'orifice de vidange situé entre les compartiments de l'appareil à l'aide d'un petit matériau doux tel qu'un coton-tige. (L'orifice de vidange est situé derrière le tiroir inférieur. Veuillez consulter la section « Retrait du tiroir » au sujet des directives reliées).

**Retrait du tiroir**

1. À l'aide d'un tournevis, tirez le tiroir inférieur, dévissez dans le sens inverse des aiguilles d'une montre les deux vis qui retiennent le tiroir inférieur aux glissières.
2. Retirez le tiroir inférieur
3. Nettoyez l'orifice de vidange montré ci-dessous à l'aide d'un matériau doux tel qu'un coton-tige. Installez ensuite le tiroir inférieur en effectuant la procédure inverse de celle décrite ci-dessus.



Emplacement des vis



Emplacement de l'orifice de vidange

# Dépannage

## **Si le réfrigérateur ne fonctionne pas :**

Vérifiez si le réfrigérateur est branché.

Vérifiez s'il y a du courant dans la prise c.a. en inspectant le disjoncteur.

## **Si le réfrigérateur est trop chaud :**

Ouvertures fréquentes de la porte.

Laissez le temps aux aliments récemment ajoutés d'atteindre la température souhaitée.

Vérifiez si les joints sont suffisamment étanches.

Nettoyez le serpentín du condensateur.

Ajustez la température à un réglage plus froid.

## **Si le réfrigérateur se met en marche trop souvent :**

Cela peut être normal pour maintenir une température constante lors des journées très chaudes et humides.

Les portes ont peut-être été ouvertes trop souvent ou laissées ouvertes pour de longues périodes.

Nettoyez le serpentín du condensateur.

Vérifiez si le joint est suffisamment étanche.

Vérifiez si les portes sont complètement fermées.

## **L'humidité s'accumule à l'intérieur ou l'extérieur du réfrigérateur :**

Cela est normal lors des périodes d'humidité élevée.

Ouvertures fréquentes ou prolongées de la porte.

Vérifiez si les joints sont suffisamment étanches.

## **Si le tiroir du réfrigérateur ne se referme pas correctement :**

Nivelez le réfrigérateur.

Vérifiez s'il y a des obstructions comme des bouteilles, des déversements, etc.

# Garantie limitée

## Couverture et durée de la garantie

Cette garantie couvre tous les vices de fabrication ou de matériaux pour une période de :

**1 an sur les pièces (à la résidence)**

**1 an sur la main-d'oeuvre (à la résidence)**

**5 ans sur le système hermétique**

La garantie prend effet à la date originale d'achat et le reçu d'achat original doit être présenté au dépositaire autorisé pour que des réparations soient effectuées en vertu de la garantie.

**EXCEPTIONS : Garantie pour usage commercial ou locatif**

**90 jours sur la main-d'oeuvre (à la résidence)**

**90 jours sur les pièces (à la résidence)**

**Aucune autre garantie ne s'applique**

## Éléments couverts?

Les organes mécaniques et électriques, qui agissent comme élément fonctionnel de l'appareil, sont garantis pour une durée de 12 mois.

Cela englobe toutes les pièces, à l'exception de la finition extérieure du caisson et des joints d'étanchéité.

Les organes du système hermétique (p. ex. le motocompresseur hermétique, le condensateur et l'évaporateur) sont garantis contre tous vices de fabrication pour une durée de cinq (5) ans suivant la date d'achat. Tout dommage à ces composantes causé par un abus mécanique ou une manipulation inadéquate n'est pas couvert par cette garantie.

## Services couverts

Nous réparerons ou remplacerons, à notre discrétion, tout organe mécanique ou électrique qui s'avère défectueux dans le cadre d'un usage normale durant la période de garantie précisée aux présentes.

Les pièces et la main-d'oeuvre seront fournies sans frais à l'acheteur au cours de la période initiale de douze (12) mois. Au-delà de cette période, seules les pièces sont couvertes pour le reste de la période de garantie.

La main-d'oeuvre ne sera plus fournie et doit être défrayée par le client.

Communiquez avec le dépositaire autorisé le plus près de chez vous. Pour connaître le nom du dépositaire autorisé le plus près de chez vous, veuillez composer le 1-877-337-3639

LA PRÉSENTE GARANTIE COUVRE LES APPAREILS DANS LES LIMITES DES ÉTATS CONTINENTAUX DES ÉTATS-UNIS, DE PORTO-RICO ET DU CANADA. ELLE NE COUVRE PAS LES ÉLÉMENTS SUIVANTS :

Les dommages imputables à une installation inadéquate.

Les dommages subis par l'appareil pendant l'expédition.

Les défauts autres que de fabrication.

Les dommages causés par l'emploi incorrect ou abusif, les accidents et l'entretien inadéquat de l'appareil, ou encore d'un courant ou d'un voltage incorrect.

Les dommages subis ailleurs que dans le cadre d'une utilisation domestique.

Les dommages découlant d'un entretien effectué ailleurs que chez un détaillant ou un dépositaire autorisé.

Les bordures décoratives ou les ampoules remplaçables.

Les dommages subis pendant le transport et l'expédition.

La main-d'oeuvre (après la période initiale de douze mois)

CETTE GARANTIE LIMITÉE EST DONNÉE EN GUISE ET LIEU DE TOUTE AUTRE GARANTIE, EXPRESSE OU COMPRENANT LES GARANTIES DE VALEUR MARCHANDE ET DE CONVENANCE PRÉCISE

Le recours fourni par cette garantie est exclusif et accordé en guide et lieu de tout autre recours.

La garantie ne couvre pas les dommages accessoires ou indirects. Par conséquent, les limitations précédentes peuvent ne pas s'appliquer à vous. Certains états américains ne permettent aucunes limitations sur la durée d'une garantie implicite. Par conséquent, les limitations précédentes peuvent ne pas vous concerner.

Cette garantie vous confère des droits particuliers reconnus par la Loi, et vous pourriez avoir d'autres droits pouvant varier d'un état à l'autre.

Haier America  
New York, NY 10018

# Medidas de seguridad importantes

**Cuando utilice este aparato, siempre tome las precauciones básicas de seguridad, incluidas las siguientes:**

1. Lea todas las instrucciones antes de usar este aparato.
2. Utilice este aparato solamente para lo que fue diseñado, según se describe en esta guía de uso y cuidado.
3. Antes de utilizar este refrigerador, debe instalarse adecuadamente de conformidad con las instrucciones de instalación. Consulte las instrucciones de conexión a tierra en la sección de instalación.
4. Nunca jale el cable de suministro eléctrico para desconectar el refrigerador. Siempre tome la clavija con firmeza y júlela en línea recta del tomacorriente.
5. Desconecte el refrigerador antes de limpiarlo o hacer cualquier reparación.  
**Nota:** Si por algún motivo este producto requiere servicio, le recomendamos ampliamente que un técnico certificado lo realice.
6. Repare o sustituya de inmediato todos los cables de suministro eléctrico que estén desgastados o dañados de alguna otra manera. No utilice un cable que tenga fisuras o abrasiones a lo largo del cable mismo, en la clavija o en el extremo conector.
7. Este aparato está diseñado únicamente para empotrarlo en un gabinete cerrado.
8. Si su refrigerador antiguo ya no está en uso, le recomendamos quitarle la puerta y dejar los estantes colocados. Esto reducirá la posibilidad de que represente un peligro para los niños.
9. No ponga en funcionamiento el refrigerador en presencia de vapores explosivos.
10. Los bordes del gabinete a lo largo de las áreas con estampado o recortadas pueden estar filosos. Evite colocar las manos, los dedos u otras extremidades cerca de estas áreas.
11. Este aparato no está diseñado para que lo usen niños pequeños ni personas discapacitadas sin supervisión. Los niños pequeños deben ser supervisados para asegurarse de que no jueguen con el aparato.
12. **PRECAUCIÓN: NO USE CABLES DE EXTENSIÓN.**

## GUARDE ESTAS INSTRUCCIONES PELIGRO

Existe el riesgo de que los niños queden atrapados. Antes de desechar su electrodoméstico viejo, quítele las puertas. Mantenga los estantes colocados de modo que los niños no puedan meterse fácilmente.

# Índice

	PÁGINA
<b>Medidas de seguridad importantes .....</b>	<b>1</b>
<b>Partes y dimensiones generales .....</b>	<b>3</b>
<b>Instrucciones previas a la instalación .....</b>	<b>4</b>
Preparación previa a la instalación.....	4
Instalación .....	5
<b>Partes internas .....</b>	<b>6</b>
Cajón para verduras.....	6
División ajustable .....	6
<b>Cajones .....</b>	<b>8</b>
Cajón superior .....	8
Cajón inferior .....	8
<b>Cómo usar este producto .....</b>	<b>8</b>
Notas importantes antes de conectarlo al suministro eléctrico.....	8
Conecte el suministro eléctrico.....	8
LED interior: .....	8
Configuración de temperatura: .....	8
Conversión de grados centígrados a Fahrenheit:.....	9
Interruptor de encendido/apagado: .....	9
Modo Sabbat: .....	9
Alarma por puerta entreabierta:.....	10
Descongelado automático: .....	10
<b>Limpieza.....</b>	<b>10</b>
<b>Solución de problemas .....</b>	<b>11</b>
<b>Garantía limitada.....</b>	<b>12</b>

Gracias por usar nuestro producto Haier.

Este manual de fácil uso lo guiará para que aproveche al máximo su refrigerador.

\_\_\_\_\_  
Número de modelo

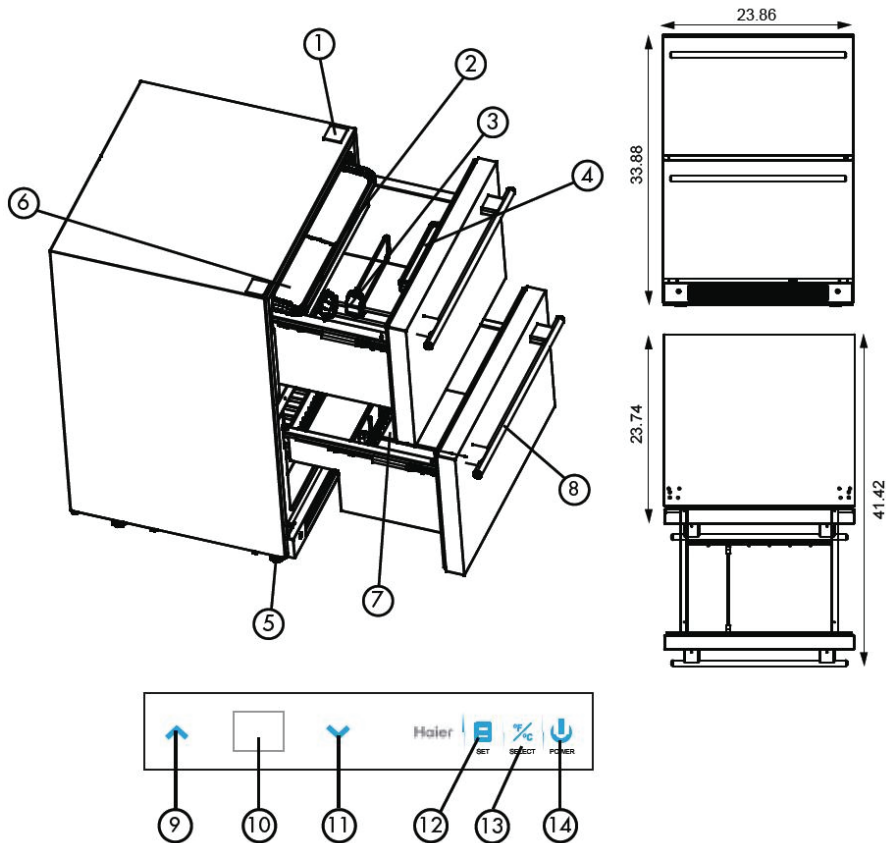
Recuerde registrar el modelo y número de serie, que se encuentran en una etiqueta en la parte posterior del refrigerador.

\_\_\_\_\_  
Número de serie

\_\_\_\_\_  
Fecha de compra

Engrape el recibo al manual. **Lo necesitará para recibir el servicio cubierto por la garantía.**

# Partes y dimensiones generales



- |                                |   |
|--------------------------------|---|
| 1. Cubierta de la bisagra      | 8. Manija                                       |
| 2. Cajón para verduras         | 9. Botón para subir la temperatura              |
| 3. División del cajón superior | 10. Pantalla de LED                             |
| 4. Panel de control            | 11. Botón para bajar la temperatura             |
| 5. Patas                       | 12. Bloqueo de controles/botón Set (Establecer) |
| 6. Compartimiento auxiliar     | 13. Conversión de °C a °F                       |
| 7. División del cajón inferior | 14. Interruptor de encendido                    |

# Instrucciones previas a la instalación

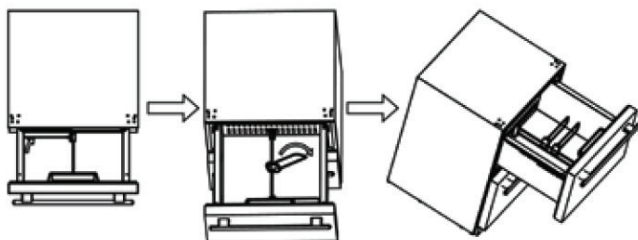
Este refrigerador únicamente puede usarse empotrado. Antes de usarlo, este producto debe estar instalado correctamente.

Nota: Deje que la unidad descanse sobre la base durante por lo menos una hora antes de la instalación.

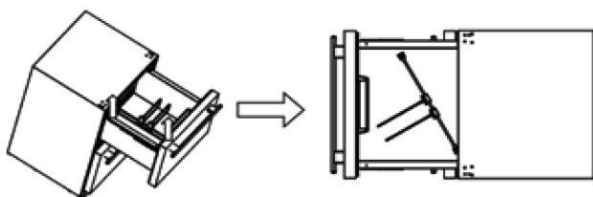
## Preparación previa a la instalación

Primero, limpie la superficie del producto con un paño suave y quite todos los empaques protectores que cubran el producto.

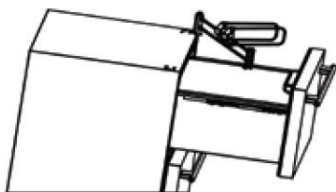
1. Abra el cajón superior. Véase las siguientes ilustraciones. Saque el cajón para verduras y colóquelo a un lado. Ahora coloque las divisiones del cajón a un lado, como se muestra en la imagen.



2. Con las dos manos, levante la varilla de metal de la división del cajón para sacarla de las ranuras en la parte frontal y trasera del cajón. Una vez que la varilla divisora del cajón quede liberada de las ranuras (como se muestra en la imagen), gírela y levántela sin golpear el panel de control.



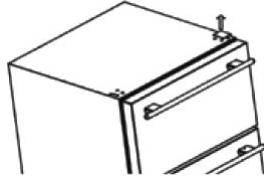
3. Saque la división del cajón del compartimiento superior y colóquela a un lado en un lugar seguro.



**Nota:** Después de realizar estos tres pasos, cierre el cajón superior para evitar daños a su persona y al producto durante la instalación.

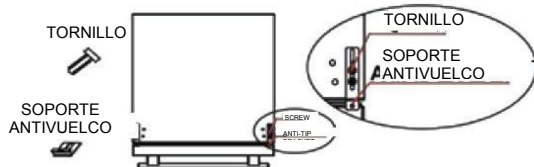
## Instalación

1. Quite la cubierta de la bisagra (parte n.º 1, página 3) con un movimiento hacia arriba. Véase la siguiente ilustración:

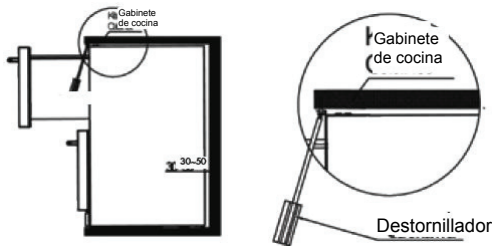


2. Saque el soporte antivuelco y los tornillos de la bolsa de accesorios. Fije el soporte antivuelco en la parte superior del producto con los tornillos y apriételo, como se muestra en la imagen.

**Nota:** Siga las instrucciones adecuadamente o puede dañar el producto.



3. Abra el cajón superior y fije el soporte antivuelco a la repisa con tornillos como se muestra abajo. Es probable que sea necesario ajustar las patas niveladoras debajo de la unidad para que ajuste adecuadamente en el espacio del gabinete. Comience por las patas traseras (si es necesario). Antes de deslizar la unidad completamente dentro de la abertura, suba o baje las patas traseras para que la unidad entre de manera correcta. Después, con cuidado deslice la unidad en la abertura de modo que no se dañe el gabinete o el piso por accidente. Enseguida, realice el mismo ajuste a las patas niveladoras frontales para que la parte delantera de la unidad quede al nivel adecuado a fin de instalar el soporte antivuelco y que pueda entrar debajo de la repisa uniformemente.



4. Se incluye otro conjunto de soportes antivuelco para la instalación lateral, que pueden usarse opcionalmente cuando la superficie de la repisa es de granito y se vuelve difícil la fijación con tornillos. Este conjunto de soportes incluye dos soportes antivuelco y ocho tornillos de instalación para el lado izquierdo y derecho del gabinete. La siguiente ilustración muestra esto; es necesario abrir el cajón para realizar este procedimiento.



# Partes internas

## Cajón para verduras

En el cajón superior se encuentra un cajón para verduras con tapa.

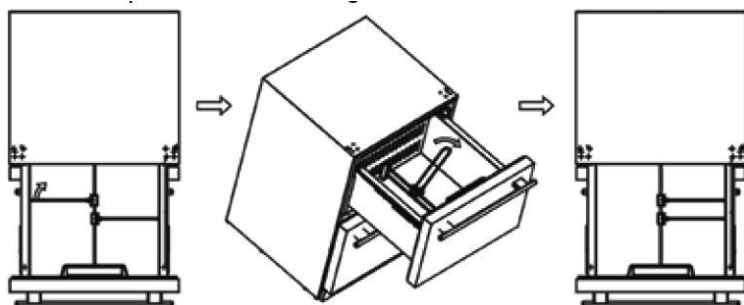
**Objetivo:** Almacenamiento práctico de verduras frescas. El usuario puede quitar el cajón para verduras si no lo necesita.

## División ajustable

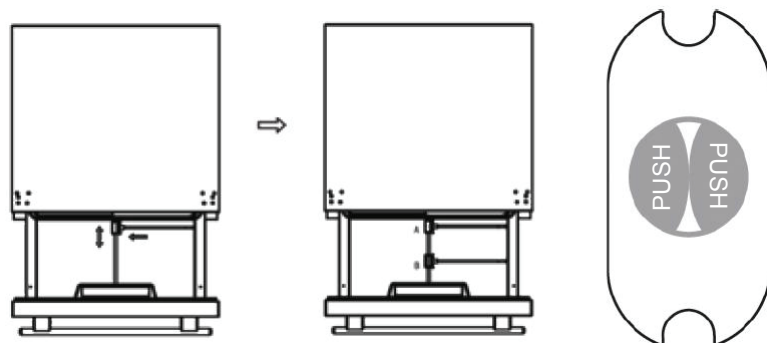
En cada cajón se incluye una división ajustable. El usuario puede ajustarlas para poder almacenar alimentos de distintas formas. Además, puede quitar las divisiones si no se necesitan.

**Nota:** Si quita la división de la unidad, guárdela en un lugar seguro y fuera del alcance de los niños. Los cajones están diseñados para soportar 44.1 libras/20 kg de alimentos.

Separe el compartimento hacia la izquierda y la derecha o viceversa.



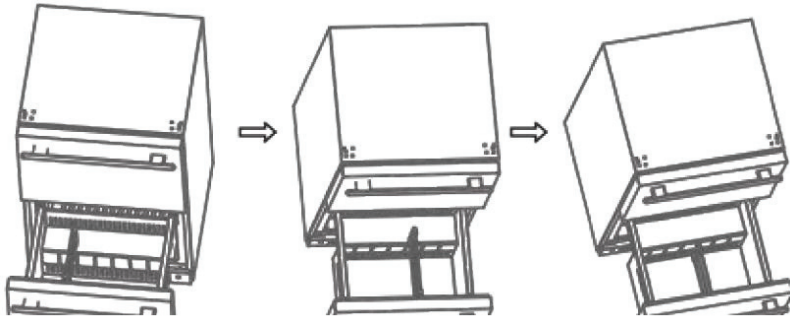
Separe el compartimento hacia el fondo y el frente o viceversa.



El compartimento superior está separado por una división que está fija al soporte del depósito del compartimento superior. Esas dos divisiones pueden ajustarse de izquierda a derecha y de atrás hacia adelante. Para hacer el ajuste de izquierda a derecha: gírelo directamente. Para hacer el ajuste de atrás hacia adelante: oprima el botón "PUSH" (EMPUJAR) (véase la imagen) en el conector de en medio y muévalo hacia atrás y adelante. Si quiere limpiar el refrigerador, puede quitar el estante siguiendo los pasos descritos en la sección "Preparación previa a la instalación".

**Objetivo:** El usuario puede separar el compartimento superior con una división, según sus necesidades personales. Esta función también contribuye a evitar que se caigan o se derramen los alimentos cuando se abren o se cierran los cajones.

Ajuste la división en el compartimiento inferior según se muestra en la imagen:



La división del compartimiento inferior está fija entre los relieves de la pared frontal y trasera del cajón. Puede elegir diferentes relieves para dividir el cajón en diferentes espacios.

**Objetivo:** Separe el compartimiento inferior con una división, según sus necesidades personales.

# Cajones

## Cajón superior

Apto para cualquier artículo de menos de 12 pulgadas (30 cm) de altura.

## Cajón inferior

El cajón inferior está separado por un escalón. Los alimentos y las bebidas de menos de 12 pulg. de altura pueden guardarse en el espacio que no tiene el escalón. Los artículos más pequeños pueden guardarse en el espacio con el escalón.

# Cómo usar este producto

## Notas importantes antes de conectarlo al suministro eléctrico

El suministro eléctrico debe mantenerse de acuerdo con lo que se indica en la placa de valores nominales (115V/60HZ). La placa de valores nominales se encuentra en la parte trasera de la unidad.

El enchufe de alimentación debe contar con un fusible de 10 A. Deje que la unidad descansa sobre la base durante por lo menos una hora antes de la instalación.

**PRECAUCIÓN: NO USE CABLES DE EXTENSIÓN.**

## Conecte el suministro eléctrico

La unidad se probó y se configuró para funcionar a 38 °F (3 °C) antes de salir de la fábrica. Una vez que se conecte al suministro eléctrico, la unidad funcionará correctamente.

## LED interior:

El LED se encuentra en la parte superior del recubrimiento interno de cada compartimiento superior e inferior y es controlado mediante la apertura y cierre de los cajones: cuando se abre un cajón, se enciende, y cuando se cierra, se apaga.

**Precaución:** En la parte superior izquierda del interior de los cajones superior e inferior de la puerta del cajón inferior hay unos imanes. No los quite, ya que son necesarios para que el sistema de iluminación funcione correctamente.

## Configuración de temperatura:

Si quiere cambiar la temperatura, oprima "SET" durante tres segundos, la unidad emitirá un pitido, la temperatura parpadeará en el panel de control y entonces podrá ajustar el valor con los botones "∨" y "∧". Cuando ya se haya establecido la temperatura deseada, oprima el botón "SET" de nuevo para confirmar el valor. El usuario escuchará un pitido y la temperatura dejará de parpadear.

Si quiere disminuir la temperatura, oprima el botón "∨".

Si quiere elevar la temperatura, oprima el botón "∧".

**El rango de temperatura es de 34 a 45 °F (1 a 7 °C).**



**Conversión de grados centígrados a Fahrenheit:**

Oprima "SELECT" durante 3 segundos, la temperatura mostrada cambiará de Fahrenheit a grados centígrados y la unidad emitirá un pitido. Oprima "SELECT" durante 3 segundos, la temperatura cambiará de grados centígrados a Fahrenheit y la unidad responderá emitiendo otro pitido.

**Interruptor de encendido/apagado:**

El panel de la pantalla tiene un botón de encendido/apagado. Si quiere que la unidad deje de funcionar durante un período corto o quiere reiniciarla, oprima "POWER" (ENCENDIDO) durante 3 segundos para encenderla o apagarla.

**Nota:** Si quiere que la unidad deje de funcionar durante un período prolongado, apague la unidad, desconéctela, saque la comida, limpie el refrigerado y deje los cajones de la unidad ligeramente abiertos para evitar malos olores.

**Modo Sabbat:**

Oprima los botones "∧" y "∨" al mismo tiempo durante 3 segundos, la unidad emitirá un pitido una vez y el panel de pantalla parpadeará 5 veces y se detendrá. Esto indica que la unidad ha entrado en modo Sabbat. En este modo, las funciones de enfriamiento normales siguen operando (compresor, válvula magnética, ventilador, banda calefactora), pero todo el equipo de iluminación, incluido el panel de la pantalla y el LED, se apagará sin importar si la puerta está abierta o cerrada.

Oprima "∧" y "∨" al mismo tiempo durante 3 segundos, después de que el panel de pantalla haya parpadado 5 veces, puede salir del modo Sabbat.

**Nota:** Este modo está disponible para la celebración de ciertos días festivos religiosos.

**Alarma por puerta entreabierta:**

Si la puerta de la unidad se deja entreabierta durante más de 3 minutos, el sistema emitirá un pitido como alarma. Si quiere detenerlo, oprima el botón "SET".

**Descongelado automático:**

La unidad puede descongelarse automáticamente; el agua de la pared trasera se vaciará en el tanque de agua y el condensador la evaporará.

# Limpieza

**Antes de limpiar la unidad, apáguela.**

Limpie las superficies y los accesorios internos y el bastidor externo con agua fría y un poco de bicarbonato de sodio.

No limpie con vapor para evitar daños al producto. No utilice productos de limpieza abrasivos, ácidos ni químicos.

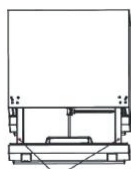
Mantenga los líquidos de limpieza alejados del equipo eléctrico.

Limpie y seque todos los accesorios.

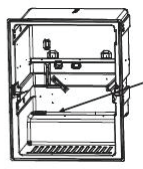
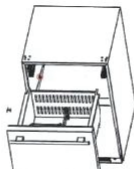
Limpie el orificio de drenaje que se encuentra entre los compartimientos de la unidad con algún material pequeño y suave, como un hisopo de algodón (el orificio de drenaje está detrás del cajón inferior; consulte la sección "Cómo quitar los cajones" para obtener las instrucciones).

**Cómo quitar los cajones**

1. Jale el cajón inferior, desmonte con un destornillador los dos tornillos que fijan el cajón inferior a los rieles, con un movimiento hacia la izquierda.
2. Saque el cajón inferior.
3. Limpie el orificio de drenaje que se muestra abajo con un material suave, como una torunda de tela y después instale el cajón inferior siguiendo el procedimiento anterior a la inversa.



Ubicación de los tornillos



Ubicación del orificio de drenaje

# Solución de problemas

## **Si el refrigerador no funciona:**

Verifique que el refrigerador esté conectado.

Compruebe que haya energía en el tomacorriente de CA, verificando el interruptor de carga.

## **Si el refrigerador está demasiado caliente:**

La puerta se abre con frecuencia.

Concédale tiempo a la comida que acaba de meter para que alcance la temperatura deseada.

Verifique que los empaques sellen correctamente.

Limpie las bobinas del condensador.

Ajuste el control de la temperatura en una configuración más fría.

## **Si el refrigerador funciona con demasiada frecuencia:**

Esto puede ser normal para mantener la temperatura constante durante los días húmedos y con alta temperatura.

Las puertas pueden haberse abierto con frecuencia o haberse dejado abiertas durante un período prolongado.

Limpie las bobinas del condensador.

Verifique que los empaques sellen correctamente.

Verifique que las puertas estén completamente cerradas.

## **Si se acumula humedad en el interior o exterior del refrigerador:**

Esto es normal durante períodos de mucha humedad.

La puerta se abre con frecuencia o durante períodos prolongados.

Verifique que los empaques sellen correctamente.

## **Si el cajón del refrigerador no cierra correctamente:**

Nivele el refrigerador.

Verifique que no haya alguna obstrucción, como botellas de bebidas, derrames de alimentos, etc.

# Garantía limitada

## ¿Qué cubre y por cuánto tiempo?

Esta garantía cubre todos los defectos de fabricación o de materiales durante un período de:

**1 año en partes (uso doméstico)**

**1 año de mano de obra (uso doméstico)**

**5 años en el sistema sellado**

La garantía entra en vigor en la fecha en que se compró el producto y el recibo original de compra debe presentarse en el centro de servicio autorizado antes de que se lleven a cabo las reparaciones de garantía.

**EXCEPCIONES: Garantía de uso comercial o de renta**

**90 días de mano de obra (uso doméstico)**

**90 días en partes (uso doméstico)**

**No aplica ninguna otra garantía.**

## ¿Qué cubre?

Las partes mecánicas y eléctricas que sirven para poner en funcionamiento este aparato, por un período de 12 meses.

Esto incluye todas las partes, excepto la terminación y el acabado.

Los componentes del sistema sellado, por ejemplo, el compresor hermético, el condensador y el evaporador, por defectos de fabricación, por un período de 5 años a partir de la fecha de compra.

No se cubrirá ningún daño a dichos componentes producido por maltrato mecánico, manipulación o transporte inadecuados.

## ¿Qué se hará?

Repararemos o reemplazaremos, según nuestro criterio, cualquier parte mecánica o eléctrica que resulte defectuosa por uso normal durante el período de garantía especificado.

No se le cobrará al comprador las partes y la mano de obra de ningún artículo cubierto durante el período inicial de 12 meses. Después de dicho período, la garantía restante sólo cubre las partes.

No incluye la mano de obra y el cliente deberá pagarla.

Comuníquese con el centro de servicio autorizado más cercano. Para obtener el nombre del centro de servicio más cercano, llame al 1-877-337-3639.

**ESTA GARANTÍA CUBRE APARATOS DENTRO DE ESTADOS UNIDOS CONTINENTAL, PUERTO RICO Y CANADÁ. NO CUBRE LO SIGUIENTE:**

Daños por instalación inadecuada.

Daños producidos en el envío.

Defectos distintos a los de fabricación.

Daño por uso incorrecto, maltrato, accidente, mantenimiento o uso de corriente o voltaje incorrectos.

Daño por uso distinto al doméstico.

Daño por un servicio brindado por alguien distinto a un distribuidor o centro de servicio autorizados.

Acabados decorativos o bombillas reemplazables.

Transporte y envío.

Mano de obra (después de los primeros 12 meses).

**ESTA GARANTÍA LIMITADA SE OTORGA EN LUGAR DE CUALQUIER OTRA GARANTÍA, EXPRESA O, INCLUSO LA GARANTÍA DE COMERCIALIZACIÓN E IDONEIDAD PARA UN FIN PARTICULAR.**

La solución ofrecida en esta garantía es exclusiva y se otorga en lugar de cualquier otra solución.

Esta garantía no cubre daños incidentales o derivados, de modo que es posible que las limitaciones anteriores no apliquen en su caso. Algunos estados no permiten limitaciones sobre la duración de una garantía implícita, de modo que es posible que las limitaciones anteriores no apliquen en su caso.

Esta garantía le otorga derechos legales específicos; usted puede tener otros derechos, que varían en cada estado.

Haier América  
New York, NY 10018



# **IMPORTANT**

## **Do Not Return This Product To The Store**

If you have a problem with this product, please contact the "Haier Customer Satisfaction Center" at 1-877-337-3639.

**DATED PROOF OF PURCHASE REQUIRED FOR WARRANTY SERVICE**

# **IMPORTANT**

## **Ne pas Réexpédier ce Produit au Magasin**

Pour tout problème concernant ce produit, veuillez contacter le service des consommateurs 'Haier Customer Satisfaction Center' au 1-877-337-3639.  
**UNE PREUVE D'ACHAT DATEE EST REQUISE POUR BENEFICIER DE LA GARANTIE.**

# **IMPORTANTE**

## **No regrese este producto a la tienda**

Si tiene algún problema con este producto, por favor contacte el "Centro de Servicio al Consumidor de Haier" al 1-877-337-3639 (Válido solo en E.U.A.).

**NECESITA UNA PRUEBA DE COMPRA FECHADA PARA EL SERVICIO DE LA GARANTIA**

115V, 60 Hz

Made in China  
Fabriqué en Chine  
Hecho en China

# **Haier®**

**Haier**  
**New York, NY 10018**

**Printed in China**

© 2010 Haier America Trading, LLC. 101287