

This Owner's Manual is provided and hosted by [Appliance Factory Parts](#).



# GE DDC4400T0WH Owner's Manual

[Shop genuine replacement parts for GE DDC4400T0WH](#)



[Find Your GE Dryer Parts - Select From 3387 Models](#)

----- Manual continues below -----

## ⚠️ **WARNING - RISK OF FIRE**

- To reduce the risk of severe injury or death, follow all installation instructions.
- Clothes dryer installation must be performed by a qualified installer.
- Install the clothes dryer according to these instructions and in accordance with local codes.
- This dryer must be exhausted to the outdoors.
- Use only 4" rigid metal ducting for exhausting the clothes dryer to the outdoors.
- DO NOT install a clothes dryer with flexible plastic ducting materials. If flexible metal (semi-rigid or foil-type) duct is installed, it must be UL listed and installed in accordance with these instructions and local codes. Flexible venting materials are known to collapse, be easily crushed, and trap lint. These conditions will obstruct dryer airflow and increase the risk of fire.
- Do not install or store this appliance in any location where it could be exposed to water and or weather.
- Save these instructions. (Installers: Be sure to leave these instructions with the customer).

### **BEFORE YOU BEGIN** - Read these instructions completely and carefully

- **Important** - Save these instructions for local inspector's use.
- **Important** - Observe all governing codes and ordinances.
- **Note to Installer** - Be sure to leave these instructions with the customer.
- **Note to Customer** - Keep these instructions for local inspector's use.
- Before the old dryer is removed from service or discarded, remove the dryer door.
- Service information and the wiring diagram are located in the control console.
- Do not allow children on or in the appliance. Close supervision is necessary when the appliance is used near children.
- Install the dryer where the temperature is above 50°F for satisfactory operation of the dryer control system.

### **Tools and Materials you will need**

- Slip joint pliers
- Screwdrivers (slotted or phillips head)
- Chains (x2)
- 2" x 4" studs
- Wall hoods
- Two 3/4" UL recognized strain relief if the power supply is from a direct wire.
- Two dryer power cord kit UL listed, rated 120/240V, 30A with 3 or 4 prongs if the power supply is from a wall receptacle.
- 4" diameter rigid metal duct, duct clamps, elbows and exhaust hood.
- Basic safety protection such as safety goggles, gloves and arm protection are recommended.

### **Preparing the Installation Site and Unpacking the Dryer**

1. Prepare the area and exhaust for installation of the new dryer.
2. Check to be sure that the existing external exhaust is clean and that it meets attached installation specifications.
3. Using the four shipping carton corner posts as padding (two on each side), carefully lay the dryer on its left side and remove foam shipping pad.
4. Return the dryer to an upright position.
5. Move the dryer to the desired location.

## INSTALLATION

**⚠️ CAUTION: FOR PERSONAL SAFETY, STACKED UNITS MUST BE FASTENED SECURELY TO WALL.**

### **STEP 1**

Attach two chains using Phillips head screws to each end of upper section of cabinet (upper unit).

### **STEP 2**

Locate two wall studs behind desired operating location of stacked units.

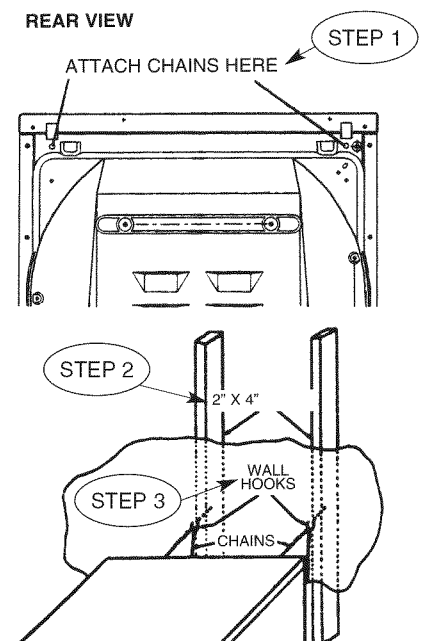
NOTE: For wall studs not appropriately spaced, see section for Alternate Method for Installation of Wall Hooks.

### **STEP 3**

Screw two wall hooks into two wall studs (same height as chain connections on cabinet of upper unit). Both chains should pull straight back to wall studs or angle outward. NEITHER chain should angle inward.

NOTE: The final construction must withstand a pull of 200 lbs.

REAR VIEW



## INSTALLATION (continued)

### STEP 4

Connect both dryers to power supply. (See ELECTRICAL CONNECTION INFORMATION section of this instruction.)

### STEP 5

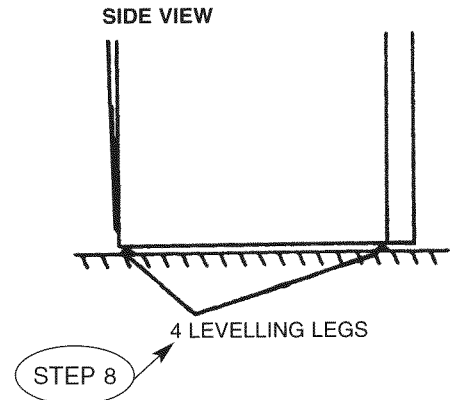
Connect both dryers to external exhaust. (See EXHAUST INFORMATION of this instruction.)

### STEP 6

Hook both chains from upper unit to appropriate wall hooks taking up any slack.

### STEP 7

Adjust all 4 levelling legs. Dryer must be levelled and rest firmly on all 4 levelling legs.



## Alternate Method for Installation of Wall Hooks

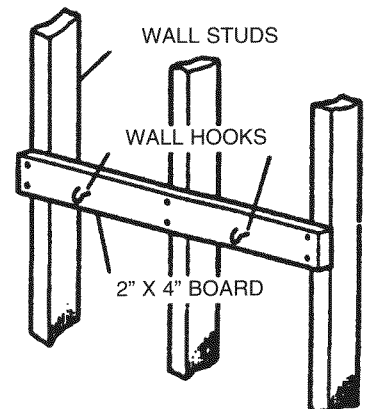
### STEP 1

If wall studs are not correctly spaced or centered behind upper unit, it may be necessary to attach a horizontal 2" x 4" board to the existing wall.

### STEP 2

Attach wall hooks in approximate position of two chains of upper unit so each chain pulls straight back to wall.

NOTE: If wall is concrete or block, drill holes and use appropriate wall anchors. The final construction must withstand a pull of 200 lbs.



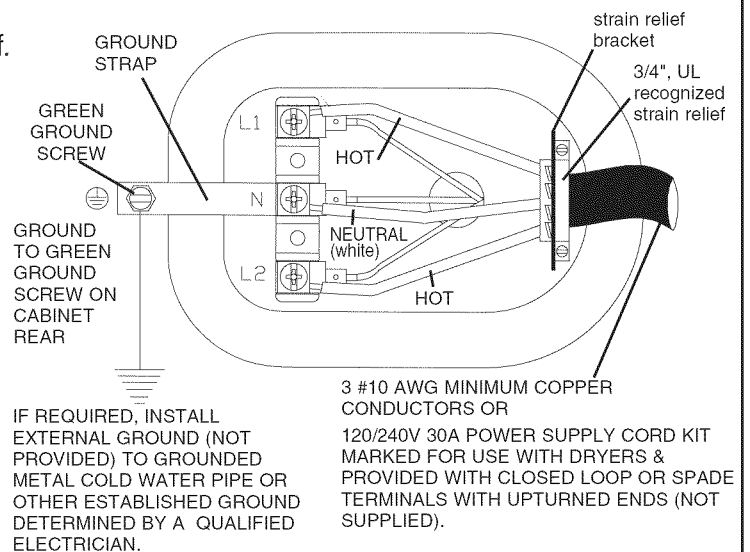
## CONNECTING DRYER USING 3-WIRE CONNECTION

- Remove the cover near the power cord entry hole.
- Install 3/4" UL recognized strain relief to power cord entry hole. Bring power cord through strain relief.
- Connect two HOT lines to outer screws (L1 & L2) of terminal block.
- Connect NEUTRAL (white) line to center screw (N) of terminal block.
- Tighten all terminal block screws firmly.
- Properly secure power supply cable to strain relief.
- Reinstall the cover.

**CAUTION, FOR PERSONAL SAFETY: THIS APPLIANCE MUST BE PROPERLY GROUNDED.**

### Grounding:

- If local codes permit, be sure ground strap is connected to neutral (centre terminal of block and to ground screw on rear frame).
- If local codes do not permit frame of dryer to be grounded to neutral, remove and discard ground strap. The frame must be grounded by attaching a ground wire (not supplied) to the green grounding screw on rear of dryer and to a grounded metal cold water pipe or other established ground.



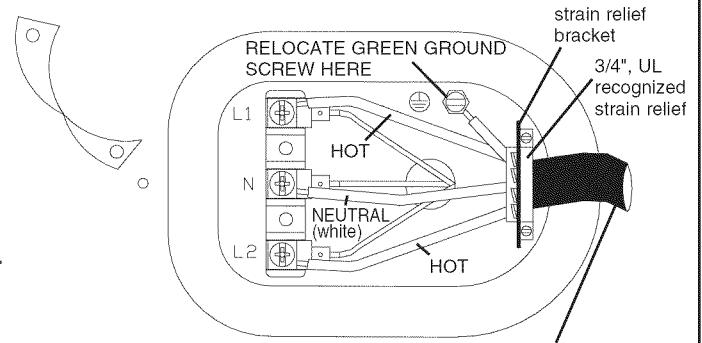
**WARNING: NEVER LEAVE THE TERMINAL BLOCK WITHOUT THE COVER.**

## CONNECTING DRYER USING 4-WIRE CONNECTION

- Remove the cover near the power cord entry hole.
- Install 3/4" UL recognized strain relief to power cord entry hole. Bring power cord through strain relief.
- Connect two HOT lines to outer screws (L1 & L2) of terminal block.
- Connect NEUTRAL (white) line to center screw (N) of terminal block.
- Attach ground wire of the power cord with the green ground screw (hole above strain relief bracket).
- Tighten all terminal block screws firmly.
- Properly secure power supply cable to strain relief.
- Reinstall the cover.

**⚠ WARNING:** Only a 4-conductor cord shall be used when the appliance is installed in a location where grounding through the neutral conductor is prohibited. Grounding through the neutral is prohibited for the new branch-circuit installations, mobile homes, recreational vehicles, and areas where local codes prohibit grounding through the neutral conduction.

REMOVE GROUND STRAP AND DISCARD  
KEEP GREEN GROUND SCREW



4 #10 AWG MINIMUM COPPER CONDUCTORS OR 120/240V 30A POWER SUPPLY CORD KIT MARKED FOR USE WITH DRYERS & PROVIDED WITH CLOSED LOOP OR SPADE TERMINALS WITH UPTURNED ENDS (NOT SUPPLIED).

- ⚠ **CAUTION:** For personal safety this appliance must be properly grounded.
- ⚠ **WARNING:** Never leave the terminal block without the cover.

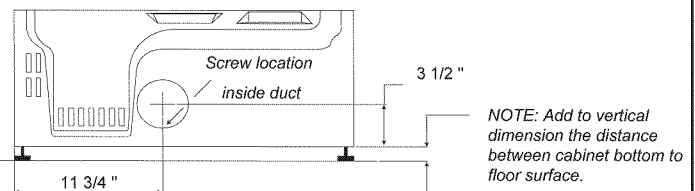
## EXHAUST INFORMATION

### ⚠ WARNING - TO REDUCE THE RISK OF FIRE OR PERSONAL INJURY:

- This clothes dryer must be exhausted to the outdoors.
- Use only 4" rigid metal ducting for the home exhaust duct.
- Use only 4" rigid metal or UL-listed flexible metal (semi-rigid or foil-type) duct to connect the dryer to the home exhaust duct. It must be installed in accordance with these instructions and local codes.
- Do not terminate exhaust in a chimney, a wall, a ceiling, gas vent, crawl space, attic, under an enclosed floor, or in any other concealed space of a building. The accumulated lint could create a fire hazard.
- Never terminate the exhaust into a common duct with a kitchen exhaust system. A combination of grease and lint creates a potential fire hazard.
- Do not use duct longer than specified in the exhaust length table. Longer ducts can accumulate lint, creating a potential fire hazard.
- Never install a screen in or over the exhaust duct. This will cause lint to accumulate, creating a potential fire hazard.
- Do not assemble ductwork with any fasteners that extend into the duct. These fasteners can accumulate lint, creating a potential fire hazard.
- Do not obstruct incoming or exhausted air.
- Provide an access for inspection and cleaning of the exhaust system, especially at turns and joints. Exhaust system shall be inspected and cleaned at least once a year.
- In special installations, it may be necessary to connect the dryer to the house vent using a flexible metal (foil-type) duct. A UL-listed flexible metal (foil-type) duct may be used ONLY in installations where rigid metal or flexible metal (semi-rigid) ducting cannot be used AND where a 4" diameter can be maintained throughout the entire length of the transition duct. In Canada and in the United States, only the flexible metal (foil-type) ducts that comply with the "Outline for Clothes Dryer Transition Duct Subject 2158A" shall be used.

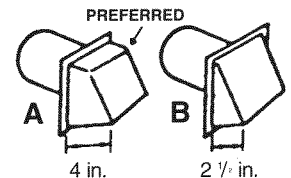
### REAR EXHAUST LOCATION

The dryers come ready for rear exhausting. Units have separate exhausts.



### EXHAUST LENGTH

The MAXIMUM ALLOWABLE duct length and number of bends of the exhaust system depends upon the type of duct, number of turns, the type of exhaust hood (wall cap), and all conditions note below. The maximum allowable length for rigid metal duct is shown in the table below. More than two 90° turns is not recommended. The total length of flexible metal duct shall not exceed 8 ft. (2.4 m). In Canada and in the United States, the required exhaust duct diameter is 4in (102mm).



	NUMBER OF 90° TURNS	MAXIMUM LENGTH	
		EXHAUST - HOOD TYPE -	
		A	B
RIGID METAL DUCT	0	45 ft.	30 ft.
4" DIAMETER	2	35 ft.	20 ft.
		25 ft.	10 ft.

### PARTS AVAILABLE FROM LOCAL SERVICE ORGANIZATION

- Rigid Metal Duct Components
  - WX8X63 4" X 1' Duct
  - WX8X51 4" Elbow
  - WX8X64 4" x 2' Duct
  - WX8X59 4" Aluminum Hood
- Flexible Metal Duct Components
  - WX08X10077 4" dia. flexible metal (semi-rigid)
  - UL-listed transition duct (includes 2 elbows)

## EXHAUST INFORMATION (continued)

### EXHAUST SYSTEM CHECK LIST HOOD OR WALL CAP

- Terminate in a manner to prevent back drafts or entry of birds or other wildlife.
- Termination should present minimal resistance to the exhaust air flow and should require little or no maintenance to prevent clogging.
- Wall caps must be installed at least 12" above ground level or any other obstruction with the opening pointed down.

### SEPARATION OF TURNS

Separate all turns by at least 3 ft. of straight duct, including distance between last turn and dampered wall cap. If two turns must be closer than 3 ft., deduct 10 ft. from the maximum lengths shown in the table for each occurrence.

### TURNS OTHER THAN 90°

- One turn of 45° or less may be ignored.
- Two 45° turns should be treated as one 90°.
- Each turn over 45° should be treated as one 90°.

### SEALING OF JOINTS

- All joints should be tight to avoid leaks. The male end of each section of duct must point away from the dryer.
- Do not assemble the duct work with fasteners that extend into the duct. They will serve as a collection point for lint.
- Duct joints can be made air and moisture-tight by wrapping the overlapped joints with duct tape.

### INSULATION

Duct work which runs through an unheated area or is near an air conditioning duct should be insulated to reduce condensation and lint build up and be sloped down toward outdoors.

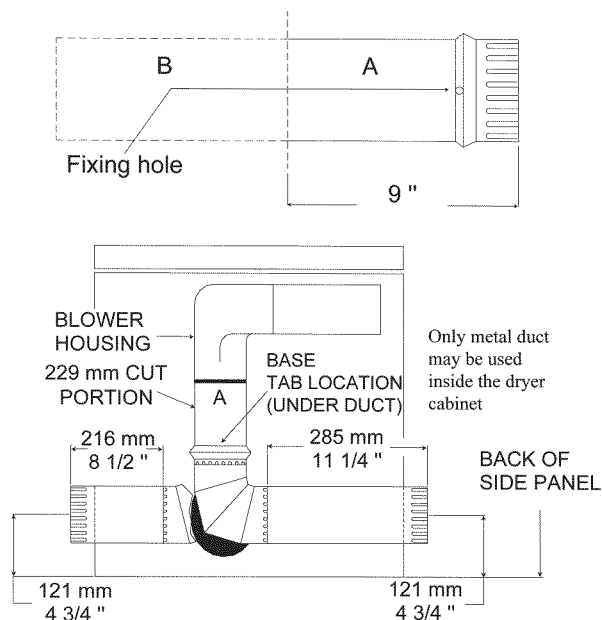
**NOTE:** Never install screen inside exhaust duct.

## SIDE OR BOTTOM EXHAUST

### STEPS TO CHANGE DRYER TO SIDE OR BOTTOM EXHAUST DIRECTLY ON CABINET

**NOTE:** Protect your hands and arms from sharp edges when working inside dryer cabinet.

- Detach and remove the desired knockout.
- Remove the screw inside the dryer exhaust duct end. Keep the screw for step 5. Pull on the duct to remove it.
- Cut the duct as shown. Keep portion A.
- Through the rear opening, locate the tab in the middle of the dryer base. Lift the tab to about 45° using a flat screwdriver.
- Reconnect and secure the cut portion (A) of the duct to the blower housing. Make sure that the fixing hole is aligned with the tab in the base. Use the screw of item 2 to secure the duct in place through the tab on the dryer base.
- Use standard metal elbows and duct to complete exhaust system. Insert standard elbow and ducts through rear and side or bottom openings.
- Cover the opening at the back with the plate (Kit WE1M454) available from your Local Service Provider.



**WARNING: NEVER LEAVE THE BACK OPENING WITHOUT THE PLATE.**

## MINIMUM CLEARANCES

Minimum clearances are – 0" both sides  
– 1" at rear  
– 88" vertical space from floor to ceiling

### Note to Installer:

#### After Installation check the following:

- Exhaust Duct - must meet specs as mentioned in "Exhaust Information" section of this installation instructions.
- Grounding - Dryer must be properly grounded to conform to local codes and ordinance requirements.
- Operation - Turn dryer ON and check for heat.
- Hand Customer the Use and Care Book - Give instructions on operating the dryer - answer any questions.
- Give these Installation Instructions to the customer.