

# Compact Refrigerator

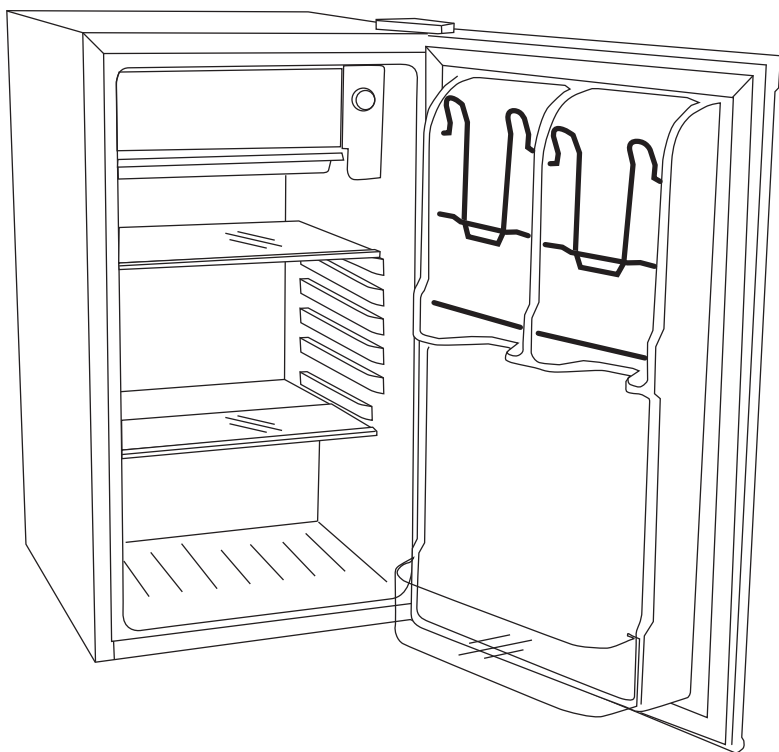
---

# Réfrigérateur Compact

---

# Refrigerador Compacto

---



User Manual  
Guide de l'Utilisateur  
Manual del Usuario Modelo

HNSE032

---

**Haier**<sup>®</sup>

Quality ■ Innovation ■ Style

# SAFETY PRECAUTIONS

Read all of the instructions before using this appliance. When using this appliance, always exercise basic safety precautions, including the following:

**NOTE:** If the refrigerator has been placed in a horizontal or tilted position for any period of time wait 24 hours before plugging the unit in.

- 1) Use this appliance only for its intended purpose as described in this use and care guide.
- 2) This refrigerator must be properly installed in accordance with the installation instructions before it is used. See grounding instructions in the installation section.
- 3) Never unplug your refrigerator by pulling on the power cord. Always grasp the plug firmly and pull straight out from the outlet.
- 4) Repair or replace immediately, all electric service cords that have become frayed or otherwise damaged. Do not use a cord that shows cracks or abrasion damage along its length, the plug or the connector end.
- 5) Unplug your refrigerator before cleaning or before making any repairs.  
**Note:** *If for any reason this product requires service, we strongly recommend that a certified technician performs the service.*
- 6) Do not use any electrical device or any sharp instrument in defrosting your refrigerator.
- 7) If your old refrigerator is not being used, we recommend that you remove the doors and leave the shelves in place. This will reduce the possibility of danger to children.
- 8) After your refrigerator is in operation, do not touch the cold surfaces in the freezer compartment, particularly when hands are damp or wet. Skin may adhere to these extremely cold surfaces.
- 9) Do not refreeze foods that have been thawed completely. The United States Department of Agriculture in Home and Garden Bulletin No. 69 reads: "...You may safely refreeze frozen foods that have thawed if they still contain ice crystals or if they are still cold-below 40°F.

"...Thawed ground meats, poultry, or fish that have any off-odor or off-color should not be refrozen and should not be eaten. Thawed ice cream should be discarded. If the odor or color of any food is poor or questionable, discard it. The food may be dangerous to eat.

“...Even partial thawing and re-freezing reduce the eating quality of foods, particularly fruits, vegetables, and prepared foods. The eating quality of red meats is affected less than that of many other foods. Use refrozen foods as soon as possible, to save as much of its eating quality as you can.”

- 10) This refrigerator should not be recessed or built-in in an enclosed cabinet. It is designed for freestanding installation only.
- 11) Do not operate your refrigerator in the presence of explosive fumes.

## SAVE THESE INSTRUCTIONS

### DANGER

**Risk of child entrapment. Before you throw away your old refrigerator or freezer, take off the doors. Leave the shelves in place so that children may not easily climb inside.**

Thank you for using our Haier product. This easy-to-use manual will guide you in getting the best use of your refrigerator.

Remember to record the model and serial number. They are on a label in the rear of the refrigerator.

---

*Model number*

---

*Serial number*

---

*Date of purchase*

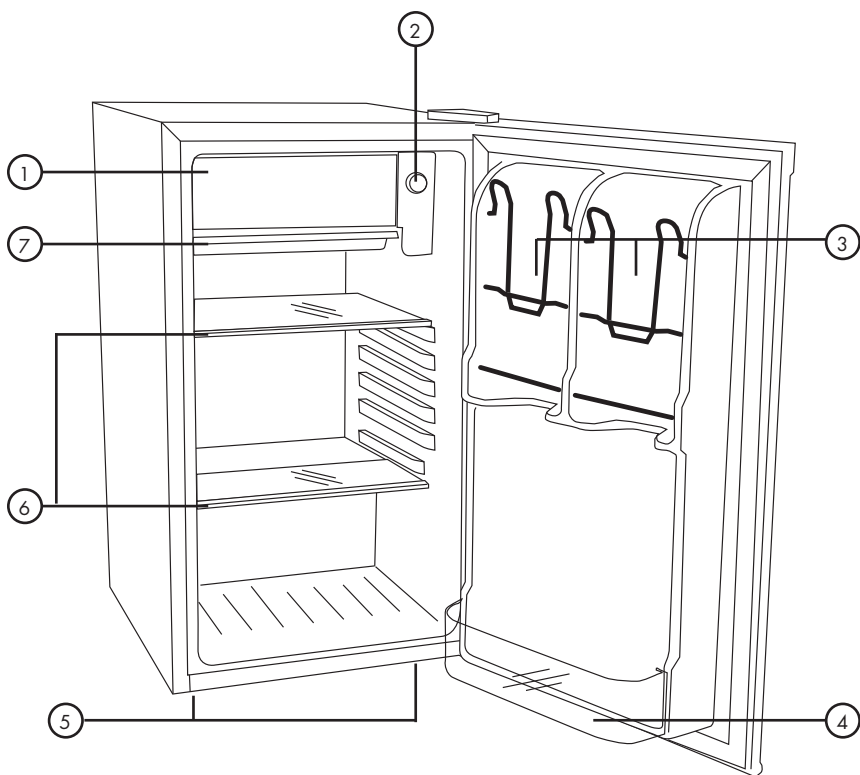
**Staple your receipt to your manual. You will need it to obtain warranty service.**

# Table Of Contents

## PAGE

<b>Safety Precautions</b> .....	<b>1</b>
<b>Parts And Features</b> .....	<b>4</b>
<b>Installing Your Refrigerator</b> .....	<b>5</b>
Unpacking Your Refrigerator .....	<b>5</b>
Leveling Your Refrigerator .....	<b>5</b>
Proper Air Circulation .....	<b>5</b>
Electrical Requirements .....	<b>6</b>
Use of Extension Cord .....	<b>6</b>
Installation Limitations .....	<b>6</b>
Door Reversal .....	<b>7</b>
Door Alignment .....	<b>8</b>
<b>Refrigerator Features And Use</b> .....	<b>9</b>
General Features .....	<b>9</b>
Freezer Compartment .....	<b>9</b>
Refrigerator Interior Shelves .....	<b>9</b>
Dispense-A-Can™ .....	<b>10</b>
Gallon Door Bin .....	<b>10</b>
Food Storage Information .....	<b>11</b>
Normal Operating Sounds .....	<b>12</b>
<b>Proper Refrigerator Care and Cleaning</b> .....	<b>12</b>
Cleaning and Maintenance .....	<b>12</b>
Defrost .....	<b>13</b>
Power Interruptions .....	<b>14</b>
Vacation and Moving Care .....	<b>14</b>
<b>Troubleshooting</b> .....	<b>15</b>
<b>Warranty Information</b> .....	<b>16</b>

# Parts And Features



1. Full-Width Freezer
2. Adjustable Temperature Control
3. Dual Can Dispenser Shelves
4. Gallon Door Bin Accomodates Tall Bottles
5. Adjustable Front Leveling Legs (Not Shown)
6. Removable Glass Shelves
7. Drip Tray
8. Ice Cube (Not Shown)

# Installing Your Refrigerator

## Unpacking Your Refrigerator

1. Remove all packaging material. This includes the foam base and all adhesive tape holding the refrigerator accessories inside and outside.
2. Inspect and remove any remains of packing, tape or printed materials before powering on the refrigerator.

## Leveling Your Refrigerator

- Your refrigerator has two leveling legs which are located in the front bottom corners of your refrigerator. After properly placing your refrigerator in its final position, you can level your refrigerator.
- Leveling legs can be adjusted by turning them clockwise to raise your refrigerator or by turning them counterclockwise to lower your refrigerator. The refrigerator door will close easier when the leveling legs are extended.

## Proper Air Circulation

- To ensure your refrigerator works at the maximum efficiency it was designed for, you should install it in a location where there is proper air circulation, plumbing and electrical connections.
- The following are recommended clearances around the refrigerator:  
Sides.....3/4" (19mm)  
Top.....2" (50mm)  
Back.....2" (50mm)

## Electrical Requirement

- Make sure there is a suitable power outlet (115 volts, 15 amps outlet) with proper grounding to power the refrigerator.
- Avoid the use of three prong adapters or cutting off the third grounding prong in order to accommodate a two prong outlet. This is a dangerous practice since it provides no effective grounding for the refrigerator and may result in shock hazard.

## Use of Extension Cords

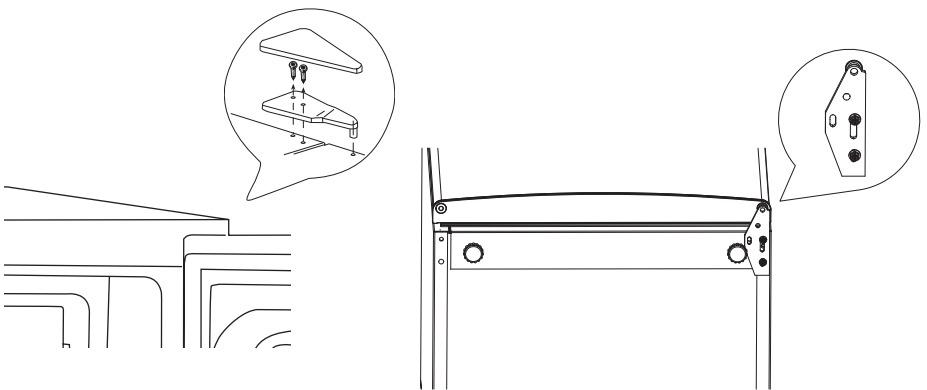
- Avoid the use of an extension cord because of potential safety hazards under certain conditions. If it is necessary to use an extension cord, use only a 3-wire extension cord that has a 3-blade grounding plug and a 3-slot outlet that will accept the plug. The marked rating of the extension cord must be equal to or greater than the electrical rating of the appliance.

## Installation Limitations

- Do not install your refrigerator in any location not properly insulated or heated, e.g. garage, etc. Your refrigerator was not designed to operate in temperature settings below 55° Fahrenheit.
- Select a suitable location for the refrigerator on a hard even surface away from direct sunlight or heat source, e.g. radiators, baseboard heaters, cooking appliances, etc. Any floor unevenness should be corrected with the leveling legs located on the front bottom corners of the refrigerator.

## Reversing the Door Hinge

1. Remove the top hinge cover.
2. Using Phillips Head Screwdriver, loosen and remove the screws holding the top hinge in place.
3. Remove top hinge and carefully lift off the door.
4. Remove the screw hole plugs from the opposite side and insert the plugs in the screw hole openings of the just removed screws.
5. Remove any loose items in the refrigerator and carefully turn refrigerator on its back and place in a secure area.
6. Loosen the screws holding the lower hinge bracket to the refrigerator and remove screws and bracket.
7. Remove (2) screws from the other side and insert in the previously removed screw holes.
8. Remove door pin by turning counter clockwise and reinsert to the underside of the bracket and tighten.
9. Align bracket and insert (2) remaining screws into the holes provided .
10. Align hole in the door with the door pin and washer and gently push down until firm.
11. Align upper hinge bracket with screw holes insert screws and partially secure, check that door and cabinet are properly aligned and then secure tightly.
12. Replace hinge cap.





**NOTE:** As the door gets pressed in during shipping, after reversing the door, the gasket may have to be reset. This is done to prevent the cool refrigerated air from escaping. If there is a gap between the door gasket and the cabinet, set the gasket by gently pulling it out to seal the gap.

## Door Alignment

1. Remove the top hinge cover.
2. Loosen the top hinge screws using a phillips head screwdriver.
3. Adjust the door or put a spacer in between and then tighten the screws.
4. Replace the top hinge cover.

# Refrigerator Features And Use

## General Features

### Adjustable temperature dial:

Your refrigerator will automatically maintain the temperature level you select. The temperature control dial has 7 settings plus "0". 1 is the warmest. 7 is the coldest. At first, set the dial to 4 and allow 24 hours to pass before adjusting the temperature to your needs.

**(Note: If the refrigerator has been placed in a horizontal or tilted position for any period of time wait 24 hours before plugging the unit in.)**

### Freezer Compartment / Use of the Ice Cube Trays

This compartment is designed for making ice cubes and for short-term food storage (a few days at most).



**WARNING:** This compartment is not cold enough to freeze foods safely for more than 5 days.

- If ice cube tray freezes to the bottom of the compartment, pour a little warm water around it to loosen it. Do not use boiling water, which can damage plastic parts, or sharp metal objects such as a knife or screwdriver, which can damage the cooling system tubing. Wash the ice cube tray in lukewarm water only. Do not wash in the dishwasher.

## Refrigerator Interior Shelves

### To remove or replace a full-width slide-out shelf:

(see fig. # 1)

1. Gently tilt the shelf up and slide forward until the shelf has been completely removed.
2. To replace the shelf, gently slide the shelf back.

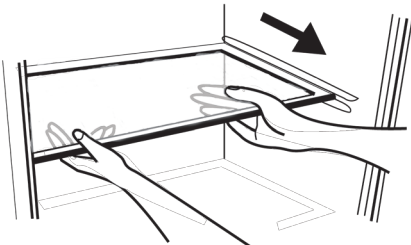


fig. # 1

## Using the Dispense-A-Can™

- Your refrigerator is equipped with the convenient “Dispense-A-Can™” compartment. Each compartment will hold up to four cans in each compartment. Simply load the cans from the top. To dispense a can, simply draw one out from the bottom. It is that easy.

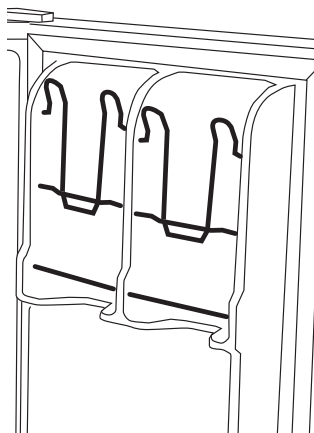


fig. # 2

## Gallon Door Bin

- Your refrigerator is featured with a gallon door bin that can also accommodate large and tall bottles.

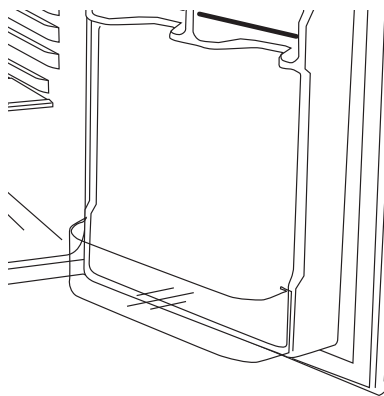


fig. # 3

## Food Storage Information

### Fresh Food

- When storing fresh food that is not prepackaged, be sure to wrap or store food in airtight and moisture proof material unless otherwise noted. This will ensure proper shelf life and prevent the transfer of odors and tastes.
- Wipe containers before storing to avoid needless spills.
- Eggs should be stored in an upright position in their original carton to maximize shelf life.
- Fruit should be washed and dried, then stored in sealed plastic bags before storing in the refrigerator.
- Vegetables with skins should be stored in plastic bags or containers.
- Leafy vegetables should be washed and drained and then stored in plastic bags or containers.
- Hot food should be allowed to cool before storing in the refrigeration. This will prevent unnecessary energy use.
- Fresh seafood should be used the same day as purchased.
- When storing meats in the fresh food section, keep in the original packaging or rewrap as necessary. Follow the suggestions below for safe storage:
  - Chicken 1-2 Days
  - Ground Beef 1-2 Days
  - Cold Cuts 3-5 Days
  - Steaks/Roasts 3-5 Days
  - Smoked/Cured Meats 7-10 Days
  - All others 1-2 Days

## Normal Operating Sounds You May Hear

- Boiling water, gurgling sounds or slight vibrations that are the result of the refrigerant circulating through the cooling coils.
- The thermostat control will click when it cycles on and off.

# Proper Refrigerator Care and Cleaning

## Cleaning and Maintenance

**Warning:** To avoid electric shock, always unplug your refrigerator before cleaning. Ignoring this warning may result in death or injury.

**Caution:** Before using cleaning products, always read and follow manufacturer's instructions and warnings to avoid personal injury or product damage.

**General:** Prepare a cleaning solution of 3-4 tablespoons of baking soda mixed with warm water. Use sponge or soft cloth, dampened with the cleaning solution, to wipe down your refrigerator.

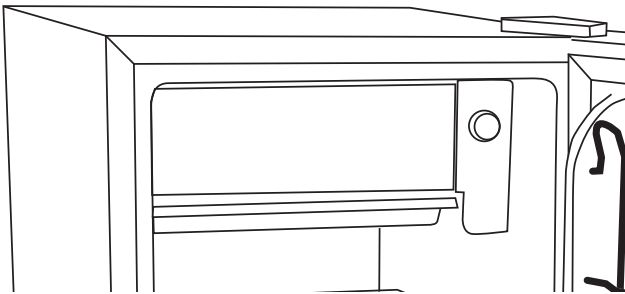
- Rinse with clean warm water and dry with a soft cloth.
- Do not use harsh chemicals, abrasives, ammonia, chlorine bleach, concentrated detergents, solvents or metal scouring pads. Some of these chemicals may dissolve, damage and/or discolor your refrigerator.

**Door Gaskets:** Clean door gaskets every three months according to general instructions. Gaskets must be kept clean and pliable to assure a proper seal.

- Petroleum jelly applied lightly on the hinge side of gaskets will keep the gasket pliable and ensure a good seal.

## Defrosting

Defrost whenever frost on the wall of the freezer compartment becomes 1/8" thick. Never use a sharp or metallic instrument to remove frost as it may damage the cooling coils. (A punctured cooling coil will cause serious damage to the product and will void the warranty). We recommend using a plastic scraper. To defrost, remove foods and ice cube tray from the freezer compartment. Make sure the drip tray is in place and unplug the unit. Defrosting usually takes a few hours. To defrost faster, keep the door open and place a bowl of warm water in the refrigerator. After defrosting, empty water from the drip tray and wash the drip tray in warm water.



## Power Interruptions

- Occasionally there may be power interruptions due to thunderstorms or other causes. Remove the power cord from AC outlet when a power outage occurs. When power has been restored, replug power cord to AC outlet. If outage is for a prolonged period, inspect and discard spoiled or thawed food in freezer and refrigerator. Clean refrigerator before reusing.

## Vacation and Moving Care

- For long vacations or absences, empty food from refrigerator and freezer, move the temperature dial to the "0" position and clean the refrigerator and door gaskets according to "General Cleaning" section. Prop doors open, so air can circulate inside. When moving, always move the refrigerator vertically. Do not move with the unit lying down. Possible damage to the sealed system could occur.

## Energy Saving Tips

- The refrigerator should be located in the coolest area of the room, away from heat-producing appliances or heating ducts, and out of direct sunlight.
- Let hot foods cool to room temperature before placing in the refrigerator. Overloading the refrigerator forces the compressor to run longer and thus increases energy consumption. Foods that refrigerate too slowly may lose quality or spoil.
- Be sure to wrap foods properly, and wipe containers dry before placing in the refrigerator.
- The wire shelves should not be lined with aluminum foil, wax paper, or paper towels. Liners interfere with cold air circulation, making the refrigerator less efficient.
- Organize food to reduce door openings and extended searches. Remove as many items as needed at one time, and close the door as soon as possible.

# Troubleshooting

## **Refrigerator does not operate:**

- Check if thermostat control is not in the "OFF" position.
- Check if refrigerator is plugged in.
- Check if there is power at the AC outlet, by checking the circuit breaker.

## **Food temperature appears too warm:**

- Frequent door openings.
- Allow time for recently added warm food to reach fresh food temperature.
- Check gaskets for proper seal.
- Adjust temperature control to colder setting.

## **Food temperature is too cold:**

- If temperature control setting is too cold, adjust to a warmer setting and allow several hours for temperature to adjust.

## **Refrigerator runs too frequently:**

- This may be normal to maintain constant temperature during high temperature and humid days.
- Doors may have been opened frequently or for an extended period of time.
- Check gasket for proper seal.
- Check to see if doors are completely closed.

## **Moisture build up on interior or exterior of the refrigerator:**

- This is normal during high humidity periods.
- Prolonged or frequent door openings.
- Check door gaskets for proper seal.

## **Refrigerator has an odor:**

- Interior needs cleaning.
- Foods improperly wrapped or sealed are giving off odors.

## **Refrigerator door does not shut properly:**

- Level the refrigerator.
- Re-align refrigerator door.
- Check for blockages, e.g. food containers, crisper cover, shelves, bins, etc.

## **Popping or cracking sound when the compressor comes on:**

- Check to ensure the refrigerator is level.
- The floor may be uneven or weak. The refrigerator rocks on the floor when it is moved slightly. Be sure the floor can adequately support the refrigerator. Level the refrigerator by putting wood or metal shims under part of the refrigerator.
- The refrigerator is touching the wall. re-level the refrigerator and move it from the wall. See the "Installing Your Refrigerator" section.



# Limited Warranty

## What is covered and for how long?

This warranty covers all defects in workmanship or materials for a period of:

**12 months labor (carry in only)**

**12 months parts (carry in only)**

**5 years sealed system  
(carry in only)**

The warranty commences on the date the item was purchased and the original purchase receipt must be presented to the authorized service center before warranty repairs are rendered.

## EXCEPTIONS: Commercial or Rental Use warranty

**90 days labor (carry-in only)**

**90 days parts**

**No other warranty applies**

## What is covered.

1. The mechanical and electrical parts, which serve as a functional, purpose of this appliance for a period of 12 months. This includes all parts except finish, and trim.
2. The components of the sealed system e.g. hermetic compressor, condenser and evaporator from manufacturing defects for a period of 5 years from the date of purchase. Any damages to such components caused by mechanical abuse or improper handling or shipping will not be covered.

## What will be done?

1. We will repair or replace, at our discretion any mechanical or electrical part which proves to be defective in normal usage during the warranty period so specified.
2. There will be no charge to the purchaser for parts and labor on any covered items during the initial 12-month period. Beyond this period only parts are covered in the remaining warranty. Labor is not provided and must be paid by the customer.

3. Contact your nearest authorized service center. For the name of the nearest service center please call 1-877-337-3639.

## **THIS WARRANTY COVERS APPLIANCES WITHIN THE CONTINENTAL UNITED STATES, PUERTO RICO AND CANADA. IT DOES NOT COVER THE FOLLOWING:**

Damages from improper installation.

Damages in shipping.

Defects other than manufacturing.

Damage from misuse, abuse, accident, alteration, lack of proper care and maintenance or incorrect current or voltage.

Damage from other than household use.

Damage from service by other than an authorized dealer or service center.

Decorative trims or replaceable light bulbs.

Transportation and shipping.

Labor (after the initial 12 months).

**THIS LIMITED WARRANTY IS GIVEN IN LIEU OF ALL OTHER WARRANTIES, EXPRESSED OR, INCLUDING THE WARRANTIES OF MERCHANTABILITY AND FITNESS FOR A PARTICULAR PURPOSE**

The remedy provided in this warranty is exclusive and is granted in lieu of all other remedies.

This warranty does not cover incidental or consequential damages, so the above limitations may not apply to you. Some States do not allow limitations on how long an implied warranty lasts, so the above limitations may not apply to you.

This warranty gives you specific legal rights, and you may have other rights, which vary, from state to state.

Haier America  
New York, NY 10018

## MESURES DE SECURITE

Lire l'ensemble des instructions avant d'utiliser l'appareil. Lors de l'utilisation de cet appareil, prendre toutes les mesures de sécurité de base, y compris les suivantes:

**REMARQUE:** Si le réfrigérateur a été placé en position horizontale ou en position inclinée, que ce soit pour longtemps ou non, attendez 24 heures avant de brancher l'appareil.

- 1) N'utiliser cet appareil que pour l'usage pour lequel il est prévu, tel qu'il est indiqué dans le guide d'utilisation et d'entretien.
- 2) Ce réfrigérateur doit être correctement installé conformément aux instructions d'installation avant d'être utilisé. Consulter les instructions de mise à la terre du chapitre Installation.
- 3) Ne jamais tirer sur le cordon d'alimentation pour débrancher le réfrigérateur. Toujours saisir fermement la fiche et la retirer complètement de la prise.
- 4) Réparer ou remplacer immédiatement tout cordon électrique effiloché ou endommagé d'une quelconque manière. Ne pas utiliser un cordon fissuré, abrasé ou dont la prise ou le connecteur est endommagé.
- 5) Débrancher le réfrigérateur avant de le nettoyer ou d'effectuer des réparations. **Remarque:** *Si ce produit doit faire l'objet d'une maintenance pour quelque raison que ce soit, il est vivement recommandé de confier cette tâche à un technicien agréé.*
- 6) Ne pas utiliser d'appareils électriques ou d'objets pointus pour dégivrer le réfrigérateur.
- 7) Si vous n'avez plus l'usage de votre ancien réfrigérateur, nous vous conseillons d'en retirer les portes. Ceci permet d'éviter tout danger potentiel pour les enfants.
- 8) Une fois le réfrigérateur en fonctionnement, ne pas toucher les surfaces froides du compartiment de congélation, en particulier avec des mains mouillées ou humides. La peau risquerait d'adhérer à ces surfaces extrêmement froides.
- 9) Ne pas recongeler les aliments qui ont été complètement décongelés. Le bulletin Maisons et Jardins du Ministère de l'Agriculture des États-Unis n° 69 stipule que: « ...Les aliments congelés peuvent être recongelés en toute sécurité s'ils contiennent toujours des cristaux de glace ou si leur température reste inférieure à 4,5°C. »  
 « ...Les viandes hachées, la volaille et le poisson présentant une odeur désagréable ou une couleur suspecte ne doivent ni être recongelés, ni être consommés. La crème glacée dégelée doit être jetée. Tout aliment présentant une odeur ou couleur douteuse doit être jeté. L'ingestion d'un aliment de ce type peut s'avérer dangereuse. »

« ...La décongélation ou la recongélation, même partielle, fait diminuer les qualités gustatives des aliments, en particulier des fruits, légumes et plats préparés. La qualité gustative des viandes rouges est affectée à un bien moindre degré que celle de nombreux autres aliments. Utiliser les aliments recongelés dès que possible, afin de conserver la majeure partie de leurs qualités gustatives. »

- 10) Ce réfrigérateur ne doit être ni encastré, ni enclos dans un placard. Il a été conçu pour être installé tel qu'il se présente.
- 11) Ne pas faire marcher le congélateur en présence de fumées pouvant entraîner une explosion.

## **VEUILLEZ CONSERVER CES INSTRUCTIONS**

# DANGER

**Les enfants pourraient se retrouver coincés dans votre réfrigérateur ou congélateur usagé avant que vous ne puissiez vous en débarrasser. Retirer les portes. Laisser les étagères en place de manière à ce que les enfants ne puissent pas grimper facilement à l'intérieur.**

Nous vous remercions d'avoir choisi ce produit Haier. Ce guide d'utilisation facile d'emploi permet une utilisation optimum du réfrigérateur. Ne pas oublier de prendre note du numéro de modèle et de série. Ils sont inscrits sur une plaquette apposée sur à l'intérieur de réfrigérateur.

---

*Numéro de modèle*

---

*Numéro de série*

---

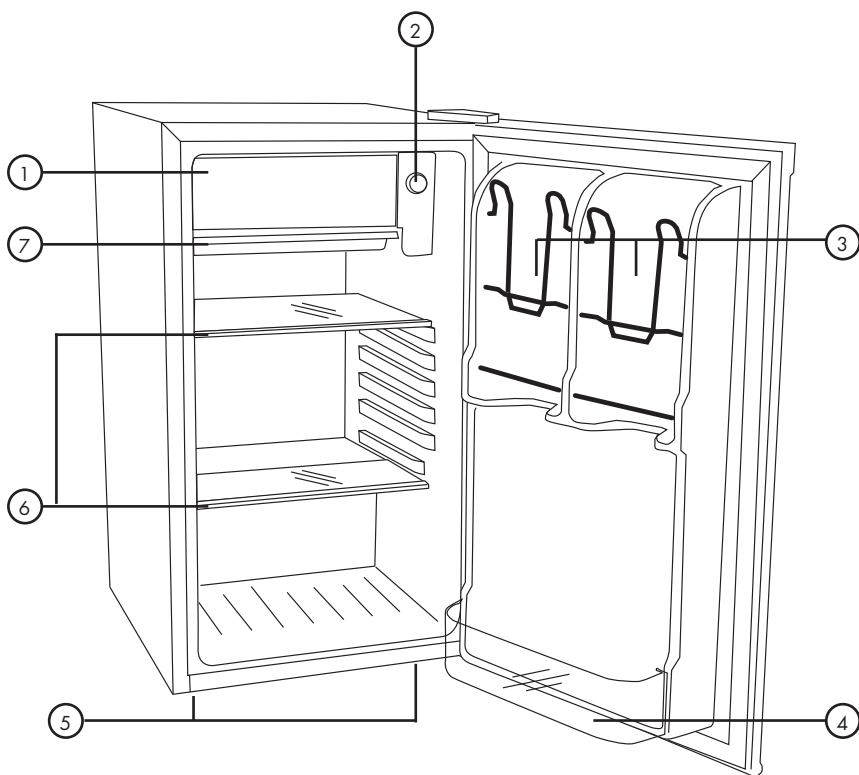
*Date d'achat*

Agrafer le ticket de caisse au guide. **Il devra être présenté pour tout service après-vente sous garantie.**

# Sommaire

	<b>PAGE</b>
<b>Mesures de Sécurité</b> .....	<b>17</b>
<b>Pièces et Caractéristiques</b> .....	<b>21</b>
<b>Installation du Réfrigérateur</b> .....	<b>22</b>
Désemballage du Réfrigérateur.....	<b>22</b>
Mise à Niveau du Réfrigérateur.....	<b>22</b>
Circulation d’Air Adéquate .....	<b>22</b>
Caractéristiques Electriques.....	<b>23</b>
Utilisation de Rallonges .....	<b>23</b>
Limitations Relatives à l'Installation.....	<b>23</b>
Placer la Charnière de Porte sur le Côté Opposé du Réfrigérateur.....	<b>24</b>
Alignement de la Porte .....	<b>25</b>
<b>Caractéristiques du réfrigérateur et utilisation</b> .....	<b>27</b>
Caractéristiques Générales .....	<b>27</b>
Clayettes Intérieures de Rangement.....	<b>27</b>
Distributeur de Boîtes Dispense-A-Can™ .....	<b>28</b>
Utilisation du Verrou de Sécurité.....	<b>28</b>
Informations sur le Rangement des Aliments .....	<b>29</b>
Bruits de Fonctionnement lors d’une Exploitation Normale .....	<b>30</b>
<b>Entretien et Nettoyage du Réfrigérateur</b> .....	<b>30</b>
Nettoyage et Maintenance.....	<b>30</b>
Coupures de Courant .....	<b>31</b>
Entretien lors des Vacances ou d’un Déménagement.....	<b>31</b>
<b>Guide de Dépannage</b> .....	<b>32</b>
<b>Garantie</b> .....	<b>33</b>

## Pièces et Caractéristiques



- |   |   |
|---|---|
| 1. Congélateur de grande largeur                                | 5. Avant réglable nivelant des jambes (non affichées) |
| 2. Contrôle de température réglable                             | 6. Étagères en verre démontables                      |
| 3. Étagères duelles de distributeur de bidon                    | 7. Plateau d'égouttement                              |
| 4. Le coffre de porte de gallon facilite les bouteilles grandes | 8. Glaçon (non affiché)                               |

# Installation du Réfrigérateur

## Désemballage du Réfrigérateur

1. Retirer l'ensemble du matériel d'emballage. Ceci comprend la base en mousse ainsi que l'ensemble du matériel adhésif qui maintient les accessoires du réfrigérateur à l'intérieur tout comme à l'extérieur.
2. Inspecter et enlever tout restant d'emballage, de scotch ou de matériaux imprimés avant de brancher le réfrigérateur.

## Mise à Niveau du Réfrigérateur

- Le réfrigérateur possède deux pieds de mise à niveau qui sont situés sur les coins avant du réfrigérateur. Après avoir convenablement installé le réfrigérateur à la place qu'il occupera, procéder à la mise à niveau.
- Pour régler les pieds de mise à niveau, les tourner dans le sens des aiguilles d'une montre afin de surélever le réfrigérateur et dans le sens inverse des aiguilles d'une montre pour l'abaisser. La porte du réfrigérateur se ferme plus facilement lorsque les pieds de mise à niveau sont surélevés.

## Circulation d'Air Adéquate

- Pour être sûr que le réfrigérateur fonctionne à son maximum d'efficacité, l'installer dans un environnement favorable à une bonne circulation d'air et possédant des connexions de plomberie et d'électricité saines.
- Les indications suivantes concernent l'espace recommandé autour du réfrigérateur:

Latéralement.....	19mm (3/4")
Partie supérieure.....	50mm (2")
Arrière.....	50 mm (2")

## Caractéristiques Electriques

- Pour l'alimentation du réfrigérateur, veiller à utiliser une prise de courant convenable (prise de 115 volts, 15 amp) raccordée à la terre
- Éviter d'utiliser des adaptateurs à trois fiches ou de sectionner la troisième fiche reliée à la terre dans le but d'utiliser un branchement à deux fiches. Cette pratique pourrait s'avérer dangereuse dans la mesure où le réfrigérateur n'est pas relié convenablement à la terre, et risquerait de causer des risques d'électrocution.

## Utilisation de Rallonges

- Éviter d'utiliser une rallonge électrique car, dans certains cas, cela peut entraîner des risques pour la santé. S'il est nécessaire d'utiliser une rallonge, utiliser uniquement une rallonge possédant une fiche male à deux broches plus terre à une extrémité et une prise femelle de même type à l'autre extrémité. La capacité électrique de la rallonge doit être égale ou supérieure à la capacité de l'appareil.

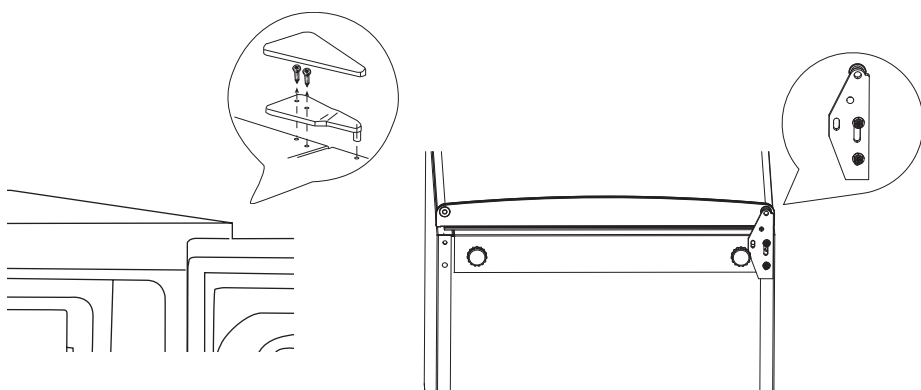
## Limitations relatives à l'Installation

- Ne pas installer le réfrigérateur dans un endroit qui n'est pas convenablement isolé ou chauffé; comme par exemple un garage, etc. Le réfrigérateur n'est pas conçu pour fonctionner à des températures inférieures à 12°C.
- Choisir un endroit convenable et placer le réfrigérateur sur une surface solide et plane, loin de sources de chaleur telles que: les radiateurs, les éléments chauffants à plinthes, les cuisinières, etc. Toute irrégularité au sol doit être corrigée à l'aide des pieds de mise à niveau situés sur les coins avant de la partie inférieure du réfrigérateur.



## Placer la Charnière de Porte sur le Côté Opposé du Réfrigérateur

1. Enlevez la couverture supérieure de la charnière
2. Desserrez et enlevez à l'aide d'un tournevis Phillips, les vis qui soutiennent la charnière en place.
3. Enlevez la charnière et retirez la porte soigneusement
4. Enlevez les bouchons des trous des vis du côté opposé et insérez les dans les ouvertures des trous des vis que vous venez de retirer
5. Enlevez tous les articles qui ne sont pas attachés du réfrigérateur, tournez le sur son dos soigneusement et mettez les de côté .
6. Desserez les vis qui soutiennent l'équerre de la charnière inférieure du réfrigérateur et enlevez les vis et l'équerre
7. Enlevez les 2 vis du côté opposé et insérez-les dans les trous des vis précédemment enlevés .
8. Enlevez la goupille de la porte en tournant le compteur dans le sens des aiguilles d'une montre et réinsérez au dessous de l'équerre et serrez.
9. Alignez l'équerre et insérez les 2 vis dans les trous fournis
10. Alignez le trou dans la porte avec la goupille et la rondelle de la porte et abaissez doucement jusqu'à ce qu'elle soit fermée.
11. Alignez l'équerre de la charnière supérieure avec les trous des vis, insérez les vis et serrez fermement.
12. Remplacez la couverture de la charnière



**REMARQUE:** Comme le joint recoit aouyé-dans pendant l'expédition, après avoir renversé la porte le joint peut devoir être remet à l'état initial. Ceci est fait pour empêcher le refroidit l'air réfrigéré d'échapper. Si là-bas est un écart entre la porte et le placard, régle le joint en tirant doucement il hors sceller l'écart.

## **Alignement de la porte**

1. Retirer la protection de la charnière du haut.
2. Desserrer les vis de la charnière du haut à l'aide d'un tournevis cruciforme.
3. Régler la porte ou placer une cale puis serrer les vis.
4. Remettre la couverture de la charnière du haut.

# Caractéristiques du Réfrigérateur et Utilisati

## Caractéristiques Générales

### Cadran de température réglable:

Le réfrigérateur demeurera automatiquement à la température que vous avez sélectionnée. La commande de température possède 7 positions de réglage ainsi que la position «OFF» (arrêt). La position «1» est la position la moins froide, «7» est la position la plus froide. Réglez la commande sur «OFF» afin d'arrêter le processus de refroidissement pour le réfrigérateur et le congélateur. Tout d'abord, réglez la commande sur «4» et patientez 24 heures avant de régler la commande sur la température que vous désirez.

**(Remarque: Si le réfrigérateur a été placé à l'horizontale pendant une période de temps quelconque, attendre 24 heures avant de le brancher.)**

## Compartiment congélateur et utilisation du tiroir à glace

Ce compartiment est conçu pour fabriquer des glaçons et conserver des aliments pour une courte durée (quelques jours au maximum).



**ATTENTION:** Ce compartiment n'est pas assez froid pour congeler des aliments de façon sûre pour plus de 5 jours.

- Si le bac à glaçons reste collé au bas du congélateur, versez un peu d'eau chaude autour et il se décollera. N'utilisez pas de l'eau bouillante car elle peut endommager les parties en plastique, ni des objets tranchants en métal comme des couteaux ou tournevis car ils peuvent endommager le tube du système de refroidissement. Lavez le bac à glaçons à la main, dans de l'eau tiède uniquement. Ne le lavez pas dans le lave-vaisselle.

## Clayettes Intérieures

### **Pour retirer ou replacer les clayettes amovibles:**

(voir fig. # 1)

1. Penchez légèrement la clayette vers le haut et glissez-la vers l'avant jusqu'à ce que la clayette ait été complètement retirée.
2. Pour replacer la clayette, glissez-la doucement.

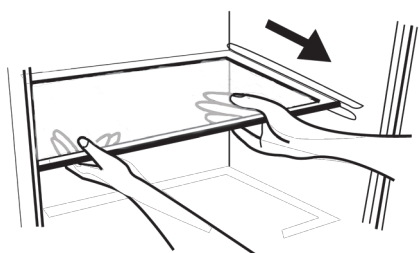


fig. # 1

## Distributeur de Boîtes Dispense-A-Can™

- Votre réfrigérateur est équipé d'un compartiment «Dispense-A-Can™». Chaque compartiment peut accueillir jusqu'à quatre boîtes de boissons diverses. Il vous suffit de ranger les boîtes à partir du haut. Pour sortir une boîte, servez-vous à partir du bas. Le dispositif est d'une grande simplicité.

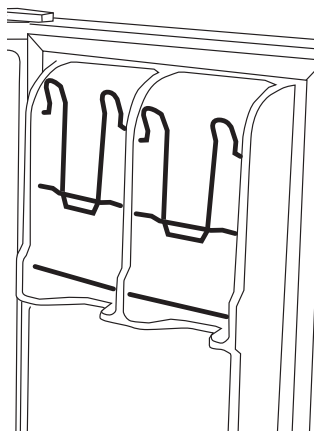


fig. # 2

## Coffre de porte de gallon

- Votre réfrigérateur est décrit avec un coffre de porte de gallon qui peut également faciliter de grandes et grandes bouteilles.

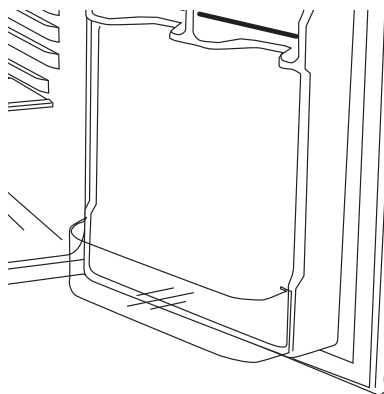


fig. # 3

## Informations sur le Rangement des Aliments

### Aliments frais

- Lorsque vous placez des aliments frais n'ayant pas été pré-emballés, assurez-vous que ces derniers sont correctement emballés ou placés dans des contenants hermétiques à l'épreuve de l'humidité et de l'air. Vous parviendrez ainsi à conserver vos aliments plus longtemps sans altération de goût ni d'odeur.
- Essayez les contenants avant de les placer au réfrigérateur afin d'éviter de les renverser.
- Les oeufs doivent être rangés debout dans leurs carton d'origine afin d'assurer leur pérennité.
- Les fruits doivent être lavés, séchés puis placés dans des sacs en plastique avant de les ranger au réfrigérateur.
- Les légumes non pelés doivent être placés dans des sacs en plastique ou tout autre contenant.
- Les légumes à feuilles doivent être lavés et égouttés avant d'être placés dans des sacs en plastique ou tout autre contenant.
- Laissez les aliments chauds refroidir avant de les placer au réfrigérateur, vous ferez ainsi des économies d'énergie.
- Le poisson et les fruits de mer doivent être consommés le jour même de leur achat.
- Lorsque vous conservez de la viande dans le compartiment destinés aux aliments frais, veillez à conserver cette dernière dans son emballage d'origine ou emballez-la à nouveau si nécessaire. Suivez les conseils suivants:

• Poulet	1 à 2 jours
• Boeuf haché	1 à 2 jours
• Charcuterie	3 à 5 jours
• Steaks/rôtis	3 à 5 jours
• Viandes fumées/salaisonées	7 à 10 jours
• Toutes autres viandes	1 à 2 jours

## Bruits de Fonctionnement lors d'une Exploitation Normale

- Les éléments de refroidissement tubulaires (serpentins refroidisseurs) font des bruits d'ébullition, des gargouillements et provoquent de légères vibrations.
- La commande du thermostat émettra un déclic lorsque qu'elle s'allume et s'éteint.

# Entretien e Nettoyage Adéquats du Réfrigérateur Nettoyage et Entretien

## Nettoyage et Maintenance

**Attention:** Pour éviter les risques d'électrocution; toujours débrancher le réfrigérateur avant de le nettoyer. Le non respect de cette mesure peut entraîner des blessures graves ou mortelles.

**Précautions:** Avant d'avoir recours à des produits d'entretien, toujours consulter et suivre les instructions du fabricant et recommandations afin d'éviter toute blessure éventuelle et risque de dégât de matériel.

**Généralités:**

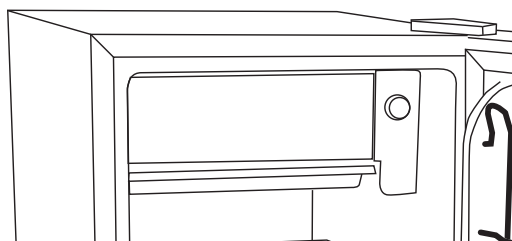
- Préparer une solution de nettoyage comportant 3 à 4 cuillerées à soupe de bicarbonate de soda mélangé à de l'eau chaude. A l'aide d'une éponge ou un tissu doux humectés de solution de nettoyage; essuyer le réfrigérateur.
- Rincer à l'eau chaude et sécher à l'aide d'un tissu doux.
- Ne pas utiliser de détergents chimiques, abrasifs, ou contenant de l'ammoniaque ou du chlore, ni de solvants ou de tampons à récurer en métal. Certains de ces produits chimiques peuvent dissoudre, endommager et/ou décolorer le réfrigérateur.

**Joints de porte:**

- Nettoyer les joints de porte tous les trois mois en suivant les instructions générales fournies. Les joints doivent rester propres et flexibles afin d'assurer une bonne étanchéité.
- Une fine couche de gelée de pétrole appliquée sur le côté des joints comportant les charnières permet de préserver la flexibilité de ces derniers et d'assurer une bonne étanchéité.

## Dégivrage

Le dégivrage est nécessaire lorsque l'épaisseur de la couche de glace sur les parois du compartiment congélateur atteint 3 mm. Ne jamais utiliser un instrument acéré ou métallique pour dégivrer, car il pourrait endommager les serpentins de refroidissement. (La perforation d'un serpentin de refroidissement endommagerait gravement le produit et entraînerait l'annulation de la garantie.) Nous recommandons l'usage d'une raclette en plastique. ( Pour dégivrer, retirer les aliments et le bac à glaçons du compartiment congélateur. Mettre le bac d'égouttement en place et mettre la commande de température en position « O » (arrêt). Le dégivrage prend généralement quelques heures. Pour accélérer le processus, laisser la porte ouverte et placer une casserole d'eau chaude dans le réfrigérateur. Une fois le dégivrage terminé, vider le bac d'égouttement et le laver dans de l'eau tiède.



## Coupures de Courant

- Des pannes d'alimentation occasionnelles peuvent survenir à cause d'une tempête ou de causes autres. Retirer le cordon d'alimentation de la prise CA pendant toute la durée de la coupure d'alimentation. Lorsque le courant électrique est rétabli, rebrancher le cordon dans la prise CA. Si la coupure d'alimentation se prolonge, vérifier et jeter les aliments avariés ou décongelés se trouvant dans le congélateur et le réfrigérateur. Nettoyer le réfrigérateur avant de le réutiliser.

## Vacances et Déménagement

- Pendant les périodes de vacances ou d'absence prolongée, vider le réfrigérateur et le congélateur, placer le **cadran** de température sur la position **off** (arrêt) et nettoyer le réfrigérateur ainsi que les joints de porte en suivant les procédures du chapitre intitulé «Nettoyage Général». Faire en sorte que la porte reste ouverte de manière à ce que l'air puisse circuler à l'intérieur. Toujours déplacer le réfrigérateur en position verticale. Ne pas déplacer l'appareil en position horizontale. Ceci pourrait endommager le système d'étanchéité.



# Dépannage

## **Le Réfrigérateur ne fonctionne pas:**

- Vérifier que le programmeur du thermostat ne se trouve pas sur la position «OFF» (arrêt).
- Veiller à ce que le réfrigérateur soit bien branché.
- Veiller à ce que la prise de courant CA fonctionne bien en vérifiant le disjoncteur.

## **La température des aliments semble être trop élevée:**

- La porte est ouverte trop fréquemment.
- Patienter le temps nécessaire pour que les aliments chauds récemment mis au frais refroidissent.
- Vérifier l'étanchéité des joints.
- Nettoyer les condenseurs
- Régler le programmeur de température sur froid.

## **La température des aliments est trop basse:**

- Si le programmeur de température est placé sur une position trop froide, le régler sur une position plus chaude et patienter plusieurs heures, jusqu'à ce que la température se soit ajustée.

## **Le réfrigérateur se met en marche trop fréquemment:**

- Il peut s'agir de l'activité normale pour maintenir une température constante lorsque la température extérieure ou le taux d'humidité dans l'air sont élevés.
- Les portes ont été ouvertes trop fréquemment ou pendant une période de temps prolongée.
- Nettoyer les condenseurs.
- Vérifier l'étanchéité des joints.
- Veiller à ce que les portes soient bien fermées.

## **Accumulation d'humidité à l'intérieur ou à l'extérieur du réfrigérateur:**

- Ceci est normal pendant les périodes de grande chaleur humide.
- Ouvertures de la porte prolongée ou trop fréquente.
- Vérifier l'étanchéité des joints.

## **L'intérieur du réfrigérateur dégage une odeur:**

- Nettoyer l'intérieur du réfrigérateur.
- Les aliments ne sont pas convenablement enveloppés ou les emballages dégagent une odeur.

## **La porte du réfrigérateur/congélateur ne ferme pas correctement:**

- Mettre le réfrigérateur à niveau.
- Réaligner la porte du réfrigérateur/congélateur.
- Vérifier qu'il n'y ait pas d'obstruction comme par exemple des containers ou les couvercles des bacs, les étagères, paniers, etc.

# Garantie Limitée

## Que recouvre la garantie et pour combien de temps ?

Cette garantie recouvre tous les défauts de fabrication ou de matériaux pour une période de :

**12 mois pour la main d'œuvre (au service uniquement)**

**12 mois pour les pièces (au service uniquement)**

**5 ans pour système frigorifique (au service uniquement)**

La garantie prend effet à compter de la date d'achat de l'article et l'original de la facture doit être présenté au centre de services agréé avant d'effectuer toute réparation.

### EXCEPTIONS : garantie pour une utilisation commerciale ou en cas de location

**90 jours pour la main d'œuvre (au service après-vente uniquement)**

**90 jours pour les pièces Aucune autre garantie applique**

### Qu'est-ce qui est couvert ?

1. Les pièces mécaniques et électriques essentielles au bon fonctionnement de cet appareil sont garanties pendant 12 mois. Cela comprend toutes les pièces sauf la finition et l'habillage.
2. Les composants du système frigorifique comme le compresseur, le condensateur et l'évaporateur sont couverts par la garantie pour tout défaut de détérioration de ce type de composant provoquée par une mauvaise utilisation du matériel, une mauvaise manipulation ou lors du transport n'est pas couverte par cette garantie.

### Quelles seront mesures prises

1. Nous nous réservons le droit de réparer et de remplacer toute pièce mécanique ou électrique défectueuse lors d'une utilisation normale pendant la période de garantie spécifiée.
2. Les pièces et la main d'œuvre ne seront facturées à l'acheteur pour aucun article couvert par la garantie pendant la période initiale de 12 mois.

3. Veuillez contacter votre centre de services agréé le plus proche. Pour obtenir le nom de votre centre de services le plus proche, veuillez appeler le 1-877-337-3639.

### CETTE GARANTIE COUVRE LES APPAREILS ÉLECTROMÉNAGERS SUR LE CONTINENT NORD-AMÉRICAIN (ÉTATS-UNIS ET CANADA) ET À PORTO RICO.

ELLE NE COUVRE PAS CE QUI SUIT :

Les dommages dus à une mauvaise installation.

Les dommages survenus pendant le transport.

Les vices autres que de fabrication.

Les dommages dus à une mauvaise utilisation, à une utilisation excessive, à une altération, au manque d'entretien et à une tension ou un voltage incorrects.

Les dommages imputables à une utilisation autre que domestique.

Les dommages dus à une réparation effectuée par un service autre que le revendeur agréé ou le centre de services.

L'habillage et les ampoules.

Le transport et l'expédition.

La main d'œuvre (après les 12 mois initiaux).

IL N'EXISTE AUCUNE AUTRE GARANTIE QUE CETTE GARANTIE LIMITÉE, EXPRIMÉE OU IMPLICITE, INCLUANT LES GARANTIES DE QUALITÉ MARCHANDE OU D'APTITUDE DANS UN BUT PARTICULIER.

Les réparations fournies par la présente garantie sont exclusives et remplacent toute autre réparation.

Cette garantie ne couvre pas les dommages indirects ou secondaires. Dans ce cas, les limitations ci-dessus peuvent ne pas être applicables. Certains états n'autorisent pas les limitations sur la durée d'une garantie implicite. Dans ce cas, les limitations ci-dessus peuvent ne pas être applicables. Cette garantie vous reconnaît certains droits juridiques ; Il est possible que vous disposiez d'autres droits, pouvant varier d'un état à l'autre.

Haier America  
New York, NY 10018

# INSTRUCCIONES PRECAUTORIAS

Lea todas las instrucciones antes de utilizar este aparato. Cuando utilice este aparato, siempre ejerza las precauciones de seguridad básicas, incluyendo las siguientes:

**NOTA:** Si el refrigerador se ha ubicado en una posición horizontal o inclinada durante cualquier lapso de tiempo, espere 24 horas antes de enchufar la unidad.

- 1) Utilice este aparato exclusivamente para su uso especificado, según se describe en esta guía de uso y cuidados.
- 2) Este refrigerador debe ser instalado adecuadamente siguiendo las instrucciones de instalación antes de utilizarse. Observe las instrucciones para conectarlo a tierra en la sección de instalación.
- 3) Nunca desconecte su refrigerador tirando del cordón eléctrico. Sujete siempre la clavija firmemente y retírela del contacto evitando torcerla.
- 4) Repare o reemplace inmediatamente cualquier cordón eléctrico que muestre raspaduras o daños. No utilice ningún cordón que muestre señales de abrasión o grietas en su extensión, clavija o terminal de conexión.
- 5) Desconecte su congelador antes de limpiarlo o antes de hacer cualquier reparación. **Nota:** *Si por alguna razón este producto necesita ser reparado, recomendamos fuertemente que la reparación se lleve a cabo por un técnico calificado.*
- 6) No emplee ningún aparato eléctrico o instrumento punzocortante para descongelar su refrigerador.
- 7) Si su antiguo refrigerador no está siendo utilizado, recomendamos quitarle las puertas. Esto reducirá los riesgos de accidentes infantiles.
- 8) Una vez que su refrigerador se encuentre operando, no toque las superficies frías en el compartimento del congelador, especialmente si sus manos se encuentran húmedas o mojadas. Su piel puede adherirse a estas superficies extremadamente frías.

9) No congele alimentos que hayan sido previamente descongelados en su totalidad. El Departamento de Agricultura de los Estados Unidos, en su Boletín de Casa y Jardín No. 69 indica que: "...Usted puede volver a congelar, sin correr ningún riesgo, aquellos alimentos congelados que hayan sido descongelados y que aún contengan cristales de hielo o que aún se encuentren fríos con una temperatura por debajo de los 4.5°C (40°F).

"...Carnes molidas, aves, o pescados descongelados que despidan olor extraño o muestren decoloración no deben volver a congelarse y no deben consumirse. El helado descongelado debe desecharse. Si el olor o color de cierto alimento es deficiente o cuestionable, deséchelo. Tal alimento podría resultar peligroso si lo ingiriese.

"...Incluso el descongelar parcialmente y volver a congelar los alimentos disminuye su calidad de consumo, especialmente si se trata de frutas, verduras y alimentos preparados. La calidad de consumo de las carnes rojas es menormente afectada en comparación a la de muchos otros alimentos. Utilice los alimentos que hayan vuelto a congelarse lo más pronto posible para evitar que sufran mayor deterioro en su calidad de consumo."

10) Este refrigerador no debe de ser empotrado o colocado dentro de un gabinete de cocina. Ha sido diseñado exclusivamente para ser instalado por separado.

11) No opere su congelador en la presencia de gases explosivos.

## **GUARDE ESTAS INSTRUCCIONES**

# PELIGRO

**Existe el riesgo de que los niños puedan quedar atrapados dentro. Antes de tirar su refrigerador o congelador, quite las puertas. Deje los anaqueles en su lugar para que los niños no puedan entrar fácilmente en el interior.**

Gracias por utilizar nuestro producto Haier. Este sencillo manual le orientará con respecto al mejor uso que puede darle a su refrigerador.

Recuerde tomar nota del modelo y número de serie. Ambos se encuentran impresos en una etiqueta en la parte adentro del refrigerador.

---

*Número de Modelo*

---

*Número de Serie*

---

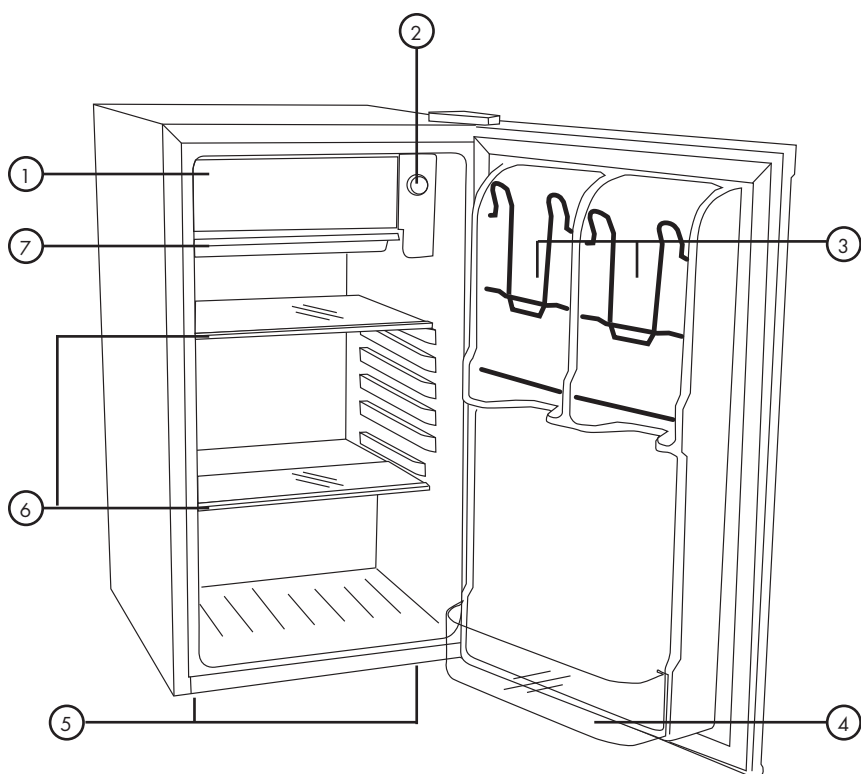
*Fecha de Compra*

Agrafer le ticket de caisse au guide. **Il devra être présenté pour tout service après-vente sous garantie.**

# Índice

	<b>PAGINA</b>
<b>Instrucciones Precautorias</b> .....	<b>34</b>
<b>Piezas y Características</b> .....	<b>38</b>
<b>Instalación de sur Refrigerador</b> .....	<b>39</b>
Desempaque del Refrigerador .....	<b>39</b>
Nivelación del Refrigerador .....	<b>39</b>
Circulación Apropiaada del Aire .....	<b>39</b>
Requisitos Eléctricos .....	<b>39</b>
Uso de Alargues .....	<b>39</b>
Limitaciones de Instalación .....	<b>40</b>
Colocación de la Puerta en el Lado Opuesto .....	<b>40</b>
Alineación de la Puerta .....	<b>41</b>
<b>Uso y Funciones</b> .....	<b>43</b>
Funciones Generales .....	<b>43</b>
Entrepaños Interiores del Refrigerador .....	<b>43</b>
Dispense A-Can™. Servidor de Latas .....	<b>44</b>
Información sobre el Almacenamiento de Alimentos .....	<b>45</b>
Ruido Normal de Operación .....	<b>45</b>
<b>Limpieza y Cuidado Apropiaados del Congelador</b> .....	<b>46</b>
Limpieza y Mantenimiento .....	<b>46</b>
Interrupciones de la Corriente Eléctrica .....	<b>48</b>
Vacaciones y Mudanza .....	<b>48</b>
<b>Verificación de Problemas</b> .....	<b>49</b>
<b>Información de Garantía</b> .....	<b>50</b>

# Piezas y Características



1. Congelador de ancho total
2. Control de la temperatura ajustable
3. Estantes duales del dispensador de la poder
4. El compartimiento de la puerta del galón acomoda las botellas altas

5. Frente ajustable que nivela las piernas (no mostradas)
6. Estantes de cristal movibles
7. Bandeja del goteo
8. Cubo de hielo (no mostrado)

# Instalación de Su Refrigerador

## Desempaque del Refrigerador

1. Retire todo el material de embalaje. Esto incluye la base de espuma y toda la cinta adhesiva que sostiene los accesorios del refrigerador en el interior y exterior.
2. Inspeccione y retire cualesquier restos del embalaje, la cinta adhesiva o los materiales impresos antes de encender el refrigerador.

## Nivelación del Refrigerador

- Su refrigerador tiene dos patas niveladoras que están ubicadas en las esquinas frontales de su refrigerador. Después de haber colocado su refrigerador en la posición definitiva, puede nivelar su refrigerador.
- Puede ajustar las patas niveladoras girándolas a la derecha para elevar el refrigerador y girándolas a la izquierda para bajarlo. La puerta del refrigerador cerrará con más facilidad cuando las patas niveladoras son elevadas.

## Circulación Apropriada del Aire

- Para asegurar que su refrigerador funcione con la eficiencia máxima para la que fue diseñado, éste debe ser instalado en un lugar donde haya una circulación de aire adecuada, conexiones eléctricas y de tubería.
- Estas son las distancias recomendadas que deben dejarse alrededor del refrigerador:  
Lados.....19 mm  
Parte Superior.....50 mm  
Parte Posterior.....50 mm



## Requisitos Eléctricos

- Asegúrese de que haya un tomacorriente apropiado (115 V, 15 Amp.) con una conexión a tierra apropiada para hacer funcionar el refrigerador.
- Evite el uso de adaptadores de tres patas o el cortar la tercer pata de conexión a tierra para poder conectar en un tomacorriente bifásico. Esto sería una práctica muy peligrosa ya que no proveería al refrigerador con una conexión a tierra adecuada y podría resultar un riesgo de descarga eléctrica.

## Uso de Alargues

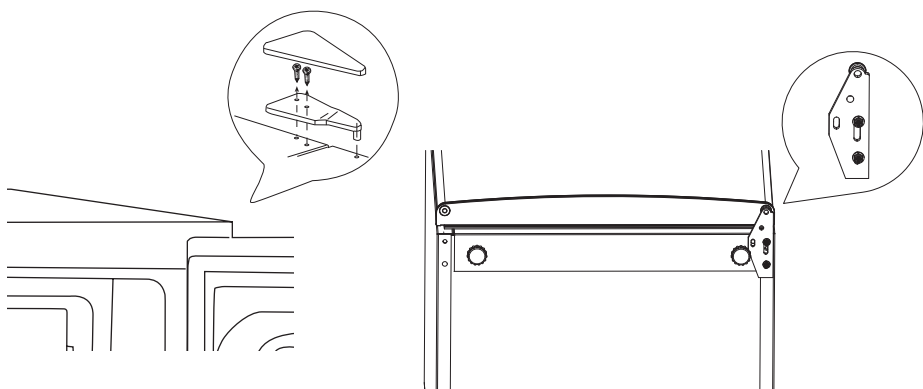
- Evite el uso de alargues para mayor seguridad. Si fuese necesario utilice solamente un alargue de tres cables que posea un enchufe de tres patas.

## Limitaciones de Instalación

- No instale su refrigerador en ningún lugar que no tenga el aislamiento o la calefacción apropiada, por ejemplo una cochera, etc. Su refrigerador no fue diseñado para funcionar en temperaturas abajo de los 12° Centígrados (55°F).
- Seleccione un lugar adecuado para el refrigerador sobre una superficie sólida y nivelada alejado de los rayos directos del sol o de una fuente de calor como la de los radiadores, rejillas de calefacción, estufas, etc. Cualquier desnivelación del piso debe ser corregido con las patas niveladoras ubicadas en las esquinas inferiores frontales del refrigerador.

## Colocación del Gozne de la Puerta en el Lado Opuesto

1. Retire la cubierta de la bisagra superior.
2. Utilizando un destornillador Phillips, afloje y retire los tornillos que mantienen la bisagra superior en su lugar.
3. Quite la bisagra superior y levante la puerta con cuidado.
4. Quite los tarugos de los tornillos del lado opuesto e insértelos en los agujeros para tornillos de los tornillos que acaba de sacar.
5. Quite del refrigerador los elementos que pueda haber sueltos y gírelo con cuidado apoyándolo sobre la parte trasera, y ubíquelo en un lugar seguro.
6. Afloje los tornillos que unen el soporte de la bisagra inferior con el refrigerador y quite los tornillos y el soporte.
7. Quite (2) tornillos del otro lado e insértelos en los agujeros de los que anteriormente sacó los tornillos.
8. Quite el pasador de la puerta girándolo hacia la izquierda y vuelva a insertarlo en la parte de abajo del soporte y ajuste.
9. Alinee el soporte e inserte los (2) tornillos restantes en los agujeros provistos.
10. Alinee el agujero de la puerta con el pasador de la puerta y la arandela y empuje suavemente hacia abajo hasta que esté firme.
11. Alinee el soporte de la bisagra superior con los agujeros para tornillos, inserte los tornillos y ajuste parcialmente; verifique que la puerta y el gabinete estén correctamente alineados y luego ajuste con firmeza.
12. Vuelva a ubicar la tapa de la bisagra.



**NOTA:** Cuando la junta de culata de puerta obtiene apretado en durante el envío, después que invertir la puerta que la junta de culata tendrá que ser repone. Esto se hace para prevenir el refresca aire refrigerado de escapar. Si hay un espacio entre la junta de culata de puerta y el gabinete, puso la junta de culata suavemente estirarlo fuera sellar el espacio.

### **Alineación de la Puerta**

1. Quite el tornillo de la cubierta de la bisagra.
2. Afloje los tornillos de la bisagra superior usando un destornillador de punta de cruz.
3. Ajuste la puerta o coloque un espaciador entremedio y luego vuelva a apretar los tornillos.
4. Vuelva a colocar la cubierta de la bisagra superior.

# Uso y Funciones del Refrigerador

## Funciones Generales

### Dial de Temperatura Ajustable

Su refrigerador mantendrá automáticamente el nivel de temperatura que seleccione. El dial de control de temperatura tiene 7 ajustes además del ajuste "OFF" (apagado). El 1 es el más tibio. El 7 es el más frío. El girar el dial hasta "OFF" (apagado), detiene el enfriamiento en ambas secciones del refrigerador y congelador. Primero, ajuste el dial a 4 y permita que pasen 24 horas antes de ajustar la temperatura a sus necesidades.

**(Nota: Si el refrigerador ha sido colocado en una posición horizontal o inclinada durante algún periodo de tiempo, espere 24 horas antes de enchufar la unidad.)**

Compartimiento de congelador / Uso de las bandejas para cubos de hielo

Este compartimiento está diseñado para hacer cubos de hielo y para el almacenamiento de alimentos a corto plazo (unos pocos días como mucho).



**ADVERTENCIA:** Este compartimiento no está lo suficientemente frío como para congelar alimentos por más de 5 días.

- Si la bandeja de cubos de hielo se pega al piso del compartimiento, vierta un poco de agua tibia alrededor para aflojarla. No utilice agua hirviendo, que puede dañar piezas plásticas; u objetos de metal filosos como un cuchillo o destornillador, que pueden dañar la tubería del sistema de enfriamiento. Lave la bandeja de cubos de hielo en agua tibia solamente. No la lave en el lavavajillas.

### Entrepaños Interiores del Refrigerador

**Quitar o substituir un de ancho total resbala-hacia fuera el estante:** (Vea fig. # 1)

1. Levante ligeramente el entrepaño y deslícelo hacia el frente hasta sacarlo completamente.
2. Para volver a colocar el entrepaño, seleccione la ubicación deseada y deslice cuidadosamente el entrepaño hasta que quede enganchado.

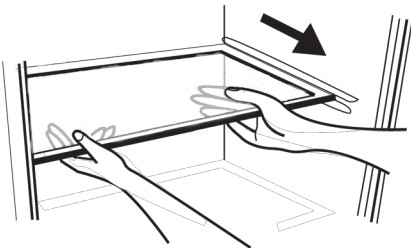


fig. # 1

## Uso del "Dispense A-Can™" Servidor de Latas

- El refrigerador puede venir equipado con un dispositivo muy conveniente para guardar envases de hojalata o latas, "Dispense A-Can™". Los compartimientos tienen capacidad para unas 4 latas. Simplemente coloque las latas por la parte de arriba del compartimiento. Para sacar una lata, sólo es necesario remover la que está en el fondo del compartimiento. Es así de fácil.

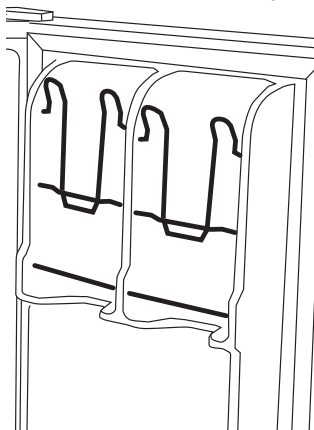


fig. # 2

## Compartimiento de la puerta del galón

- Su refrigerador se ofrece con un compartimiento de la puerta del galón que pueda también acomodar las botellas grandes y altas.

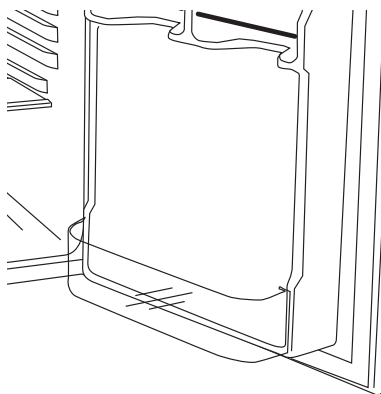


fig. # 3

## Información sobre el Almacenamiento de Alimentos

### Alimentos Frescos

- Cuando almacene alimentos frescos que no estén preempacados, asegúrese de envolver o almacenar los alimentos en un material hermético y a prueba de humedad a menos que se indique de otra manera. Esto asegurará la vida útil de los entrepaños y prevendrá la contaminación de olores y sabores.
- Limpie los contenedores antes de almacenarlos para evitar derrames innecesarios.
- Los huevos deben ser almacenados en su caja original para aumentar la vida útil del entrepaño.
- Las frutas deben ser lavadas y secadas y luego almacenadas en el cajón para frutas y verduras en el ajuste de baja humedad para mantener su frescura. Si no tiene cajones con control de humedad, coloque las frutas en bolsas plásticas selladas antes de almacenarlas en el cajón.
- Los vegetales con piel deben ser almacenados en bolsas o contenedores de plástico y luego ser almacenados en el cajón para frutas y verduras con un ajuste de baja humedad.
- Los vegetales frondosos deben ser lavados y escurridos y luego almacenados en bolsas o contenedores de plástico en el cajón para frutas y verduras con un ajuste de alta humedad.
- Debe esperar a que los alimentos calientes se enfríen antes de almacenarlos en el refrigerador. Esto prevendrá el uso innecesario de energía.
- Los mariscos frescos deben ser usados el mismo día que se compran.
- Cuando almacene carnes en la sección de alimentos frescos, manténgala en el paquete original o vuélvala a empacar conforme sea necesario. Siga las sugerencias de abajo para un almacenamiento seguro:
  - Pollo 1-2 Días
  - Carne Molida de Res 1-2 Días
  - Carnes Frías 3-5 Días
  - Bistecs/Asados 3-5 Días
  - Carnes Ahumadas/Curadas 7-10 Días
  - Todas las demás 1-2 Días

### Ruidos de Operación Normales que Pueda Escuchar

- Agua hirviendo, ruidos gorgoteantes o ligeras vibraciones que son el resultado del gas refrigerante circulando a través del serpentín de enfriamiento.
- La commande de thermostat cliquettera quand elle fait un cycle en marche et en parar.

# Cuidados y Limpieza Asegurada del Refrigerador

## Limpieza y Mantenimiento

**Advertencia:** Para evitar una descarga eléctrica siempre desenchufe su refrigerador antes de limpiarlo. El ignorar esta advertencia puede causar esiones o la muerte.

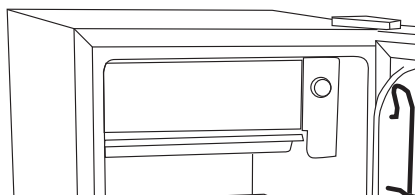
**Precaución:** Antes de usar productos de limpieza, siempre lea y siga las instrucciones y advertencias del fabricante para evitar lesiones personales o daños al producto.

- En general:**
- Prepare una solución de limpieza de 3-4 cucharadas de bicarbonato de sodio mezclado con agua tibia. Use una esponja o un trapo suave, humedecidos con la solución de limpieza, para limpiar su refrigerador.
  - Enjuague con agua limpia tibia y seque con un trapo suave.
  - No use químicos fuertes, abrasivos, amoníaco, cloro, detergentes concentrados, disolventes o estropajos metálicos. Algunos de estos químicos pueden disolver, dañar y/o decolorar su refrigerador.

- Empaques de la puerta:**
- Limpie los empaques de la puerta cada tres meses de acuerdo a las instrucciones generales. Los empaques deben mantenerse limpios y flexibles para asegurar un sellado apropiado.
  - El aplicar un poco de vaselina en el lado articulado de los empaques mantendrá el empaque flexible y asegurará un sellado apropiado.

## Descongelamiento

Descongele cada vez que la escarcha en la pared del compartimento del congelador alcance 3,3 mm (1/8 de pulgada) de espesor. Nunca utilice ningún instrumento metálico o punzocortante para retirar la escarcha, ya que podría dañar los canales tubulares de enfriamiento (Un tubo de enfriamiento perforado provocaría serios daños a la unidad y anulará la garantía). Recomendamos emplear una espátula de plástico. Para descongelar, retire los alimentos y la charola para cubos de hielo del compartimento del congelador. Coloque la charola recolectora de goteo en su lugar, y gire el selector y control de temperatura a la posición de "APAGADO". El descongelamiento generalmente se lleva a cabo en unas cuantas horas. Para descongelar más rápido, mantenga la puerta abierta y coloque un recipiente con agua tibia dentro del refrigerador. Después de descongelar, vierta el agua de la charola recolectora de goteo en el fregadero y lávela con agua tibia.





## Interrupciones de Energía

- Pueden ocurrir ocasionalmente interrupciones de energía debido a tormentas eléctricas u otras causas. Desenchufe el cable eléctrico del tomacorriente de corriente alterna cuando ocurra una interrupción en el sistema eléctrico. Cuando la electricidad haya regresado, vuelva a conectar el cable eléctrico a un tomacorriente de corriente alterna. Si ocurre una interrupción en el sistema eléctrico durante un periodo prolongado, inspeccione y deseche los alimentos descongelados o echados a perder en el refrigerador o congelador. Limpie el refrigerador antes de volver a usarlo.

## Vacaciones y Mudanza

- Durante ausencias largas o vacaciones, vacíe la comida del refrigerador y congelador, coloque el dial de temperatura a la posición de OFF (apagado) y limpie el refrigerador y los empaques de la puerta de acuerdo a la sección de "Limpieza general". Mantenga las puertas abiertas para que el aire pueda circular en el interior. Al mudarse, siempre traslade el refrigerador verticalmente. No lo traslade con la unidad colocada horizontalmente. Pudiera ocurrir un posible daño el sistema sellado.

# Verificación de Problemas

## **El Refrigerador no Funciona:**

- Revise que el control del termostato no esté en la posición de "OFF" (apagado).
- Revise que el refrigerador esté conectado.
- Revise que haya corriente eléctrica en el tomacorriente de corriente alterna, revisando el interruptor de circuito.

## **La temperatura de los alimentos parece estar demasiado tibia:**

- Apertura constante de la puerta.
- Dele tiempo a los alimentos tibios para que puedan alcanzar una temperatura fresca.
- Revise que los empaques estén bien sellados.
- Limpie el serpentín del condensador
- Ajuste el control de temperatura al ajuste más frío.

## **La temperatura de los alimentos es demasiado fría:**

- Si el ajuste del control de temperatura es muy frío, ajústelo a una temperatura más cálida y permita que pasen varias horas hasta que la temperatura se ajuste.

## **El refrigerador se enciende frecuentemente:**

- Esto puede ser normal para mantener una temperatura constante durante temperaturas altas y días húmedos.
- Las puertas pudieron haberse abierto frecuentemente o durante un largo periodo de tiempo.
- Limpie el serpentín del condensador.
- Revise que el empaque esté bien sellado.
- Revise que las puertas estén completamente cerradas.

## **Acumulación de humedad en el interior o exterior del refrigerador:**

- Esto es normal durante periodos de alta humedad.
- Apertura constante o prolongada de la puerta.
- Revise que los empaques de la puerta estén bien sellados.

## **El refrigerador despidе un olor:**

- Necesita limpiar el interior.
- Los alimentos envueltos o sellados inadecuadamente están despidiendo los olores.

## **La luz del refrigerador no funciona:**

- Nivele el refrigerador.
- Vuelva a alinear la puerta del refrigerador/congelador.
- Revise que no haya obstrucciones como contenedores de alimentos, la cubierta del cajón para frutas y verduras, entrepaños, recipientes, etc.

# Garantía Limitado

## Qué cubre y por cuánto tiempo?

Esta garantía cubre todos los defectos en los materiales o los causados por el traslado durante un período de:

**12 meses labor (únicamente en taller)**

**12 meses partes (únicamente en taller)**

**5 años el sistema sellado (únicamente en taller)**

La garantía comienza el día en que el producto fue comprado. La factura original de compra debe ser presentada antes de hacer uso del servicio.

## Excepciones: Garantía de uso comercial

**90 días labor**

**90 días partes**

**no aplica ninguna otra garantía**

## Lo que cubre:

1. Las partes mecánicas y eléctricas que se utilizan para el funcionamiento, por un período de 12 meses. Incluye todas las partes menos el acabado final.
2. Los componentes del sistema sellado, por ej. el compresor hermético, condensador, evaporador, de todo defecto de manufactura por un período de 5 años desde la fecha de compra. Cualquier daño a estos componentes causado por abuso mecánico o utilización inadecuada no serán cubiertos.

## Que se hará?

1. Repararemos o reemplazaremos cualquier parte mecánica o eléctrica que se compruebe como defectuosa en el funcionamiento normal y durante el período de garantía.
2. No habrá cargos para el comprador por las partes y labor de acuerdo a los items anteriores y respetando el período de 12-meses. Luego de ese período sólo los componentes están cubiertos por la garantía. La labor deberá ser abonada por el cliente.

3. Contacte su service autorizado más cercano. Para averiguar el nombre del service mas cercano llame al 1-877-337-3639.

## ESTA GARANTIA CUBRE EN LOS EEUU, PUERTO RICO Y CANADA. NO CUBRE LO SIGUIENTE

Daños por instalación impropia  
 Daños en el embarque y traslado  
 Otros defectos que no sean de manufactura  
 Daños por desuso, abuso, accidente, alteración o falta de cuidado y mantenimiento adecuado.  
 Daños por otro uso que no sea el doméstico.  
 Daños ocasionados por reparaciones de personal no perteneciente a algún service autorizado.  
 Decoraciones o reemplazo de la bombita de luz.  
 Transporte y embarque  
 Labor (luego de los primeros 12 meses)  
**ESTA GARANTIA LIMITADA ESTA DADA EN LUGAR DE CUALQUIER OTRA GARANTIA.**

El remedio dado por esta garantía es exclusivo y es otorgado en lugar de cualquier otra solución. Esta garantía no cubre daños incidentales o secundarios, de modo que las limitaciones precedentes no lo alcanzan a usted. Algunos Estados no permiten las limitaciones de tiempo de una garantía implícita, de modo que las limitaciones anteriores pueden no aplicarse en su caso.

Esta garantía le da derechos legales específicos, y usted puede contar con otros derechos de acuerdo al Estado donde se encuentre.

Haier  
 New York, NY 10018

# **IMPORTANT**

**Do Not Return This Product To The Store**

If you have a problem with this product, please contact the  
"Customer Satisfaction Center" at 1-877-337-3639.

**DATED PROOF OF PURCHASE REQUIRED FOR WARRANTY SERVICE**

# **IMPORTANT**

**Ne pas Réexpédier ce Produit au Magasin**

Pour tout problème concernant ce produit, veuillez contacter le service des  
consommateurs 'Customer Satisfaction Center' au 1-877-337-3639.

**UNE PREUVE D'ACHAT DATEE EST REQUISE POUR BENEFICIER DE LA GARANTIE.**

# **IMPORTANTE**

**No regrese este producto a la tienda**

Si tiene algún problema con este producto, por favor contacte el "Centro de Servicio al  
Consumidor" al 1-877-337-3639 (Válido solo en E.U.A).

**NECESITA UNA PRUEBA DE COMPRA FECHADA PARA EL SERVICIO DE LA GARANTIA**

**115V, 60 Hz**

**Made in China  
Fabriqué en Chine  
Hecho en China**

# **Haier®**

**Haier  
New York, NY 10018**

**Printed in China**