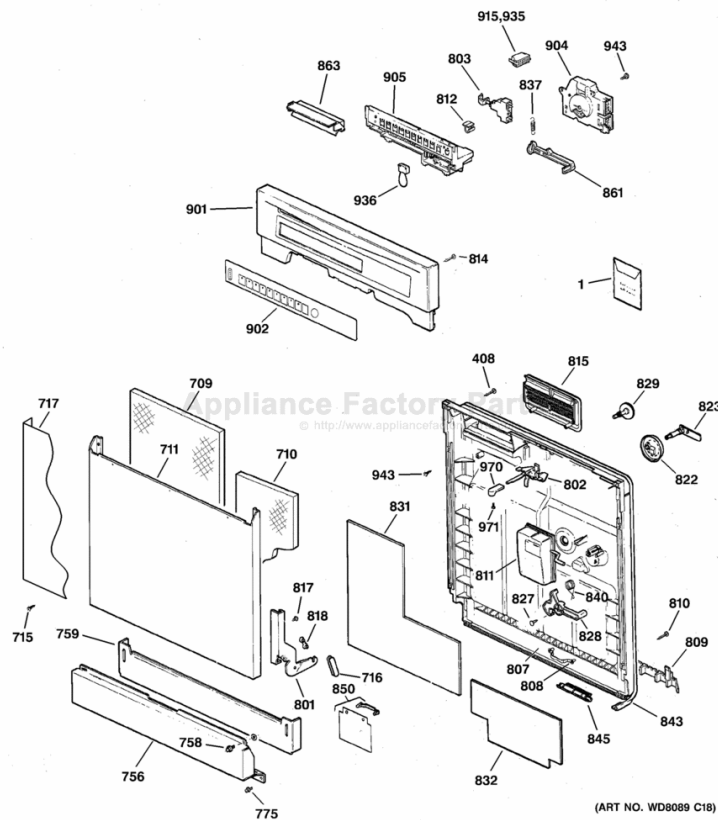


This Owner's Manual is provided and hosted by [Appliance Factory Parts](http://Appliance Factory Parts).



# GE GSD5860G00SS Owner's Manual

[Shop genuine replacement parts for GE  
GSD5860G00SS](#)



[Find Your GE Dishwasher Parts - Select From 6722 Models](#)

----- Manual continues below -----



# Dishwashers

*Safety Instructions* . . . . . 2, 3

***Operating Instructions***

Care and Cleaning . . . . . 11

Control Panels . . . . . 4

Control Settings . . . . . 5

Flashing Display Lights . . . . . 6

Loading the

Dishwasher Racks . . . . . 8, 9

Loading Place Settings . . . . . 10

Optional Accessories . . . . . 12

Using the Dishwasher . . . . . 6, 7

***Troubleshooting Tips*** . . . . 13, 14

***Consumer Support***

Consumer Support . . . Back Cover

Warranty . . . . . 15

**Owner's Manual**

*EDW3000G Series*

*GSD5400G Series*

*GSD5500G Series*

*GSD5800G Series*

*GSD5900G Series*

**Write the model and serial numbers here:**

**Model #** \_\_\_\_\_

**Serial #** \_\_\_\_\_

You can find them on a label on the tub wall just inside the door.



# IMPORTANT SAFETY INFORMATION. READ ALL INSTRUCTIONS BEFORE USING.

## **⚠ WARNING!**

*For your safety, the information in this manual must be followed to minimize the risk of fire or explosion, electric shock, or to prevent property damage, personal injury, or death.*



### WATER HEATER SAFETY

*Under certain conditions hydrogen gas may be produced in a water heater that has not been used for two weeks or more. **HYDROGEN GAS IS EXPLOSIVE.***

If the hot water has not been used for two weeks or more, prevent the possibility of damage or injury by turning on all hot water faucets and allow them to run for several minutes. Do this before using any electrical appliance which is connected to the hot water system. This simple procedure will allow any built-up hydrogen gas to escape. Since the gas is flammable, do not smoke or use an open flame or appliance during this process.

*Use this appliance only for its intended purpose as described in this Owner's Manual.*



### PROPER INSTALLATION AND MAINTENANCE

*This dishwasher must be properly installed and located in accordance with the Installation Instructions before it is used. If you did not receive an Installation Instructions sheet with your dishwasher, you can receive one by visiting our website at [GEAppliances.com](http://GEAppliances.com).*

- Connect to a grounded metal, permanent wiring system; or run an equipment-grounding conductor with the circuit conductors and connect to the equipment-grounding terminal or lead of the appliance.
- Improper connection of the equipment-grounding conductor can result in a risk of electric shock. Check with a qualified electrician or service representative if you are in doubt whether the appliance is properly grounded.
- Use supply conductors rated at least 75°C (167°F).
- Dispose of discarded appliances and shipping or packing material properly.
- Do not attempt to repair or replace any part of your dishwasher unless it is specifically recommended in this manual. All other servicing should be referred to a qualified technician.
- To minimize the possibility of electric shock, disconnect this appliance from the power supply before attempting any maintenance.  
**NOTE:** Turning the dishwasher off does not disconnect the appliance from the power supply. We recommend having a qualified technician service your appliance.

## **⚠ WARNING!**

### DO NOT...



- Do not tamper with controls.
- Do not abuse, sit on or stand on the door or dish rack of the dishwasher.
- Do not discard a dishwasher without first removing the door of the washing compartment.
- Do not store or use combustible materials, gasoline or other flammable vapors and liquids in the vicinity of this or any other appliance.
- Do not allow children to play around dishwasher when opening or closing door due to the possibility of small fingers being pinched in door.
- Do not allow children to play with, on or around this appliance or any discarded appliance.

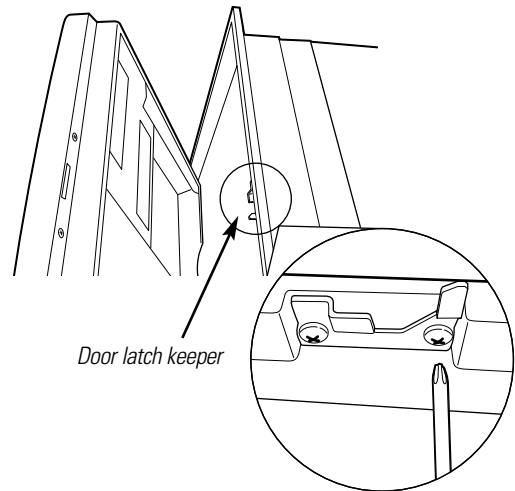
## **⚠ WARNING! RISK OF CHILD ENTRAPMENT**

### *PROPER DISPOSAL OF THE DISHWASHER*

Junked or abandoned dishwashers are dangerous...even if they will sit for “just a few days.” If you are getting rid of your old dishwasher, please follow the instructions below to help prevent accidents.

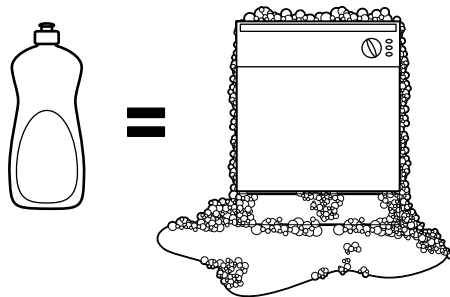
#### **Before You Throw Away Your Old Dishwasher:**

- Take off the door of the washing compartment or remove the door latch keeper (as shown).



### *WHEN USING YOUR DISHWASHER*

- Use only powder, tabs, liquid detergents or rinse agents recommended for use in a dishwasher and keep them out of the reach of children. **Cascade®**, **Cascade® Complete** and **Electrasol®** Automatic Dishwashing Detergents, and **Jet-Dry®** and **Cascade Rinse Aid®** rinse agents have been approved for use in all GE dishwashers.
- Using a detergent that is not specifically designed for dishwashers will cause the dishwasher to fill with suds.



- Locate sharp items so that they are not likely to damage the door seal.
- Load sharp knives with the handles up to reduce the risk of cut-type injuries.

- Do not wash plastic items unless marked **dishwasher-safe** or the equivalent. For plastic items not so marked, check the manufacturer’s recommendations.
- Non-Dishware Items: Do not wash items such as electronic air cleaner filters, furnace filters and paint brushes in your dishwasher. Damage to dishwasher and discoloration or staining of dishwasher may result.
- Do not touch the heating element during or immediately after use.
- Do not operate your dishwasher unless all enclosure panels are properly in place.
- Close supervision is necessary if this appliance is used by or near children.
- Load light, plastic items so they will not become dislodged and drop to the bottom of the dishwasher—they might come into contact with the heating element and be damaged.

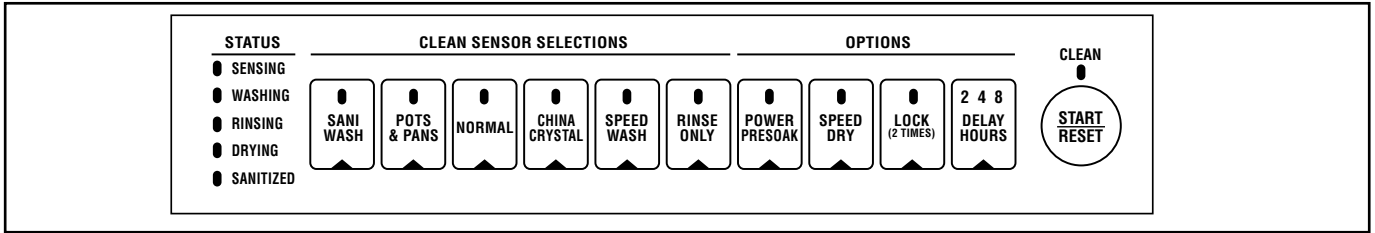


**READ AND FOLLOW THIS SAFETY INFORMATION CAREFULLY.**  
**SAVE THESE INSTRUCTIONS**

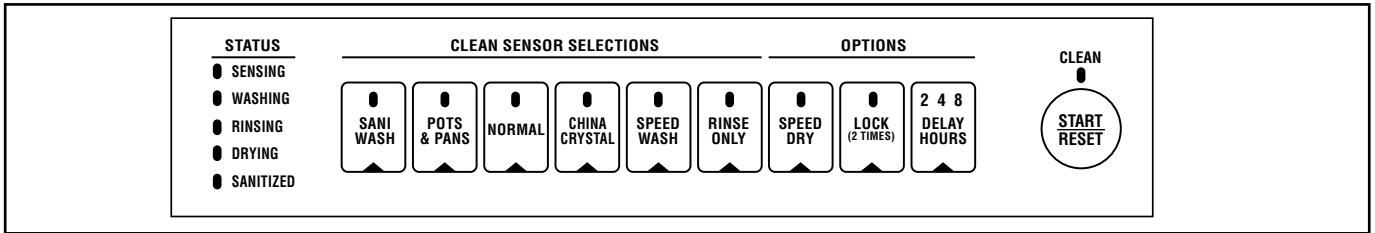
## About the dishwasher control panel.

You can locate your model number on the tub wall just inside the door. Throughout this manual, features and appearance may vary from your model.

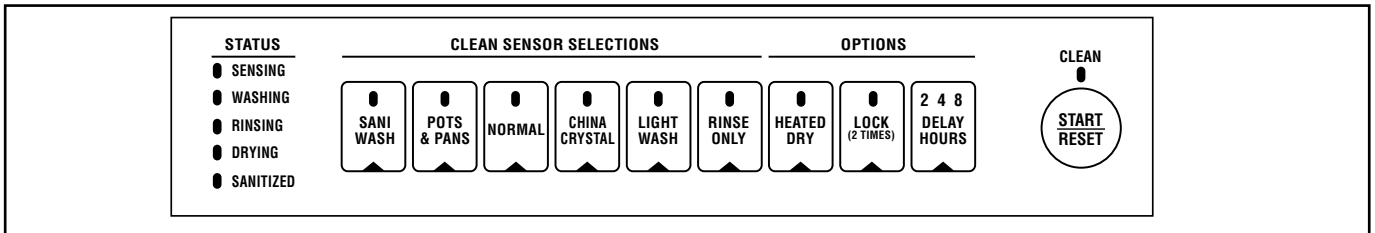
### Model Series EDW3000



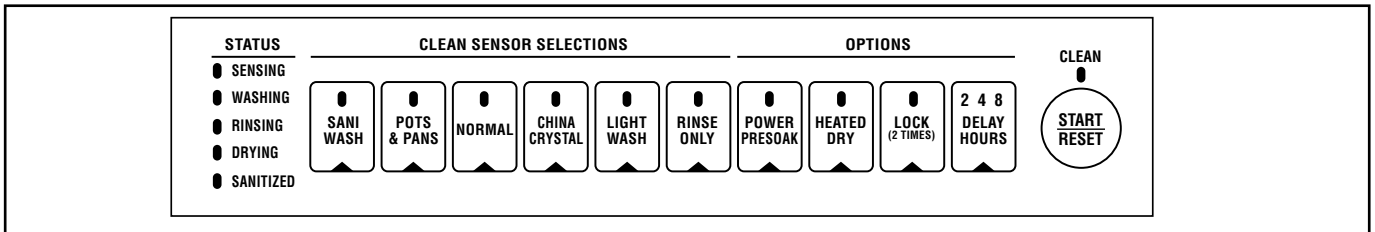
### Model Series GSD5400



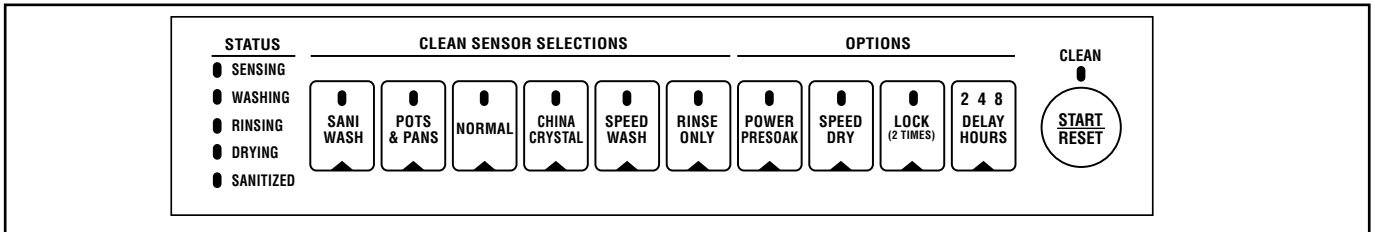
### Model Series GSD5500



### Model Series GSD5800



### Model Series GSD5900



## Control Settings

### 1 The Status

The Status display tells you what is happening while the dishwasher is in operation and also any malfunctions if they occur (see page 6). The lights will come **ON** indicating the sequence of operation the dishwasher is in.

**SENSING** Displayed during periods using CleanSensor technology to measure the amount of soil in the load and decide if another prewash is needed.

**WASHING** Displayed during prewash and main wash periods.

**RINSING** Displayed during rinse periods.

**DRYING** Displayed during **SPEED DRY/HEATED DRY**.

**SANITIZED** Displayed when cycle has met sanitization conditions. Light remains **ON** until door is opened.

### 2 Load Selections

The light above the selected pad will be **ON** to indicate which **LOAD SELECTION** has been selected.

**SANI WASH** **Heavy** 11.5 gal., 99 min., **Medium** 9.9 gal., 93 min., **Light** 8.2 gal., 93 min.

This cycle raises the water temperature in the final rinse to sanitize your dishware. The cycle length will vary depending on the temperature of your inlet water.

**NOTE:** The SaniWash cycle is monitored for sanitization requirements. If the cycle is interrupted during or after the main wash portion or if the incoming water temperature is so low that adequate water heating cannot be achieved, the sanitizing conditions will not be met. In these cases, the sanitized light will not illuminate at the end of the cycle.

**POTS & PANS** **Heavy** 13.1 gal., 101 min., **Medium** 11.5 gal., 79 min., **Light** 9.9 gal., 55 min.

For heavily soiled dishes or cookware with dried-on or baked-on soils. Everyday dishes may be included. This cycle will not remove burned-on foods.

**NORMAL** **Heavy** 9.9 gal., 72 min., **Light** 8.2 gal., 43 min.

For loads of everyday dishes, glasses and cookware with medium soils.

**NOTE:** Many dishes have lighter soil than normal. Choosing a cycle other than **NORMAL** will save energy and water.

**SPEED WASH/ LIGHT WASH** **Heavy** 9.9 gal., 37 min., **Medium** 8.2 gal., 34 min., **Light** 6.6 gal., 25 min.

For dishes with light soils.

**CHINA CRYSTAL** **Heavy** 9.9 gal., 52 min., **Medium** 8.2 gal., 39 min., **Light** 6.6 gal., 35 min.

For lightly soiled china and crystal.

**RINSE ONLY** **Heavy** 3.3 gal., 7 min., **Light** 1.6 gal., 4 min.

For rinsing partial loads that will be washed later. *Do not use detergent.*

**NOTE:** The dishwasher is equipped with Clean Sensor technology; therefore, cycle length and time may vary depending on soil and temperature conditions.

### 3 Options

The light above the selected pad will be **ON** to indicate which **OPTION** has been selected.

**POWER PRESOAK** For use with heavily soiled and/or dried-on, baked-on soils. This option **MUST** be selected **PRIOR** to starting the cycle. *This option adds 16 minutes to the cycle time.*

**SPEED DRY/ HEATED DRY** Shuts off the drying heat option. Dishes air dry naturally and energy is saved. You can prop the door open after the **CLEAN** light illuminates. **OFF**

**SPEED DRY/ HEATED DRY** Turns the heater on for fast drying. This cycle will extend the time to your wash cycle by 40 minutes for the **CHINA CRYSTAL** and **POTS & PANS** cycle and 24 minutes for the **NORMAL**, **SPEED WASH/LIGHT WASH** and **SANI WASH** cycle. **ON**

**NOTE:** Cannot be selected with **RINSE ONLY** cycle.

**LOCK** When the **LOCK** pad is touched twice within 3 seconds, all pads become inoperative. *You can lock the controls to prevent any selections from being made. Or you can lock the controls after you have started a cycle or selected **DELAY START** so the cycle or **DELAY START** is not interrupted.*

*Children cannot accidentally start dishwasher by touching pads with this option selected.*

To unlock the dishwasher after it has been locked, touch the **LOCK** pad twice within 3 seconds. The light above the **LOCK** pad will turn off.

**DELAY HOURS** You can delay the start of a wash cycle for up to 8 hours. Press the **DELAY HOURS** pad to choose the number of hours you want to delay the start of the cycle, then press **START/RESET**. The machine will count down and start automatically at the correct time. **Pressing **START/RESET** a second time will cancel the **DELAY START** selection.** **NOTE:** If you forget to fully close the door, a reminder signal will beep until you do so.

**RESET** To change a cycle after washing starts, touch the **START/RESET** pad to cancel the cycle. After water is pumped out and the motor stops, you can reprogram and restart the dishwasher. This will take approximately 90 seconds.

### 4 Start

Close and latch the door. Touch the **START/RESET** pad to begin the cycle. Water fill begins, and approximately 60 seconds later the wash action begins.

**NOTE:** The dishwasher remembers your last cycle so you don't have to reprogram each time. When the dishwasher is loaded and the door latch is in the locked position, the control panel lights will be **ON** and display the last settings you selected.





If you don't want to change any of the settings, simply touch the **START/RESET** pad to begin the cycle.

Also, if a power failure occurs, **NORMAL** and **SPEED DRY/HEATED DRY** will automatically be programmed. Make any new selections and touch the **START/RESET** pad to begin the cycle.

### 5 Clean

This light is illuminated when a wash cycle is complete. The light will stay **ON** until the door is opened.

## Flashing display lights.

| Status Lights   | What It Means                           | What To Do  |
|---|---|---|
|  <p>STATUS<br/>SENSING<br/>WASHING<br/>RINSING<br/>DRYING<br/>SANITIZED</p>                                    | <b>CLEANSENSOR</b> Error                | If the sensing light doesn't come on during the first part of the cycle, the <b>CLEANSENSOR</b> is not working. Call for service. The dishwasher will continue to work without the <b>CLEANSENSOR</b> .<br><b>NOTE:</b> This light will NOT stay on the entire cycle. |
|  <p>STATUS<br/>SENSING<br/>WASHING<br/>RINSING<br/>DRYING<br/>SANITIZED</p>                                    | <b>START/RESET</b> pad has been pressed | Allow up to 90 seconds for the dishwasher to drain and reset before selecting a new cycle.  |
|  <p>STATUS<br/>SENSING<br/>WASHING<br/>RINSING<br/>DRYING<br/>SANITIZED</p> <p><b>PLUS A BEEPING SOUND</b></p> | Control Error                           | Press the <b>START/RESET</b> pad to turn off the beeper. Turn off power at the circuit breaker for 10 seconds, then restore power. If the rinsing light continues to flash, then call for service.  |
|  <p>STATUS<br/>SENSING<br/>WASHING<br/>RINSING<br/>DRYING<br/>SANITIZED</p> <p><b>PLUS A BEEPING SOUND</b></p> | Control Error                           | Press the <b>START/RESET</b> pad to turn off the beeper and the dishwasher will attempt to reset. Then restart the wash cycle. If this error continues, call for service.   |

## Using the dishwasher.



### Check the Water Temperature

The entering water must be at least 120°F and not more than 150°F for effective cleaning and to prevent dish damage. Check the water temperature with a candy or meat thermometer. Turn on the

hot water faucet nearest the dishwasher, place the thermometer in a glass and let the water run continuously into the glass until the temperature stops rising.



### Use Jet-Dry® or Cascade Rinse Aid® Rinse Agent

**Jet-Dry**® or **Cascade Rinse Aid**® rinse agent removes spots and prevents new film buildup on your dishes, glasses, flatware, cookware and plastic.

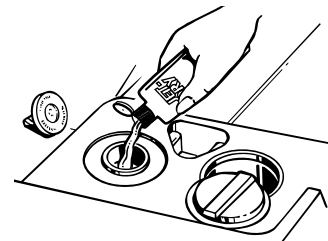
#### Filling the Dispenser

Fill the rinse agent dispenser until it reaches the bottom of lip inside the opening. Replace cap.

To check if rinse agent is needed, press the clear center of the fill cap 2 or 3 times. If rinse agent fills the center of the cap, you have enough.

*A full dispenser should last about one month.*

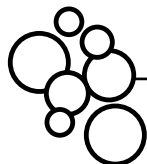
*If rinse agent spills, wipe up the excess.*





## Using the Dishwasher Door

- 1 The door must be closed and locked into place to select a **LOAD SELECTION** or an **OPTION**.
- 2 If the door is opened during a cycle and left open, *the dishwasher will beep once every minute* until the door is closed and latched into place.



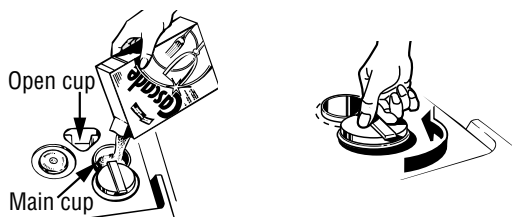
## Proper Use of Detergent

Use only detergent specifically made for use in dishwashers. **Cascade®**, **Cascade® Complete** and **Electrasol®** Automatic Dishwashing Detergents have been approved for use in all GE dishwashers. Keep your detergent fresh and dry. Don't put powder detergent into the dispenser until you're ready to wash dishes.

The amount of detergent to use depends on whether your water is *hard* or *soft*. With hard water, you need extra detergent. With soft water, you need less detergent.

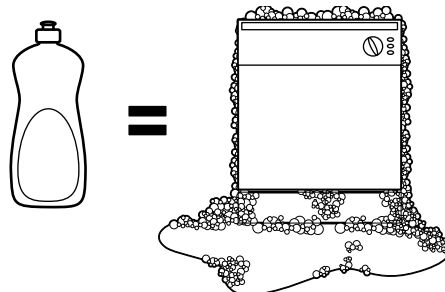
Protect your dishes and dishwasher by contacting your water department and asking how hard your water is. Twelve or more grains is extremely hard water. A water softener is recommended. Without it, lime can build up in the water valve, which could stick while open and cause flooding. Too much detergent with soft water can cause a permanent cloudiness of glassware, called *etching*.

You'll find two detergent dispensers on the inside door of your dishwasher. All wash cycles—except **RINSE ONLY**—require detergent in the main cup. Wash cycles with two washes will also use the open cup. When using automatic dishwashing detergent tabs, simply place one tab in the main cup and close.



**NOTE:** To open detergent cup after it has been closed, unlatch the door. Press the **START/RESET** pad three times within two seconds and the detergent cup will release. A snapping sound may be heard.

### DO NOT USE HAND DISH DETERGENT



**NOTE:** Using a detergent that is not specifically designed for dishwashers will cause the dishwasher to fill with suds. During operation, these suds will spill out of the dishwasher vents, covering the kitchen floor and making the floor wet.

Because so many detergent containers look alike, store the dishwasher detergent in a separate space from all other cleaners. Show anyone who may use the dishwasher the correct detergent and where it is stored.

While there will be no lasting damage to the dishwasher, your dishes will not get clean using a dishwashing detergent that is not formulated to work with dishwashers.



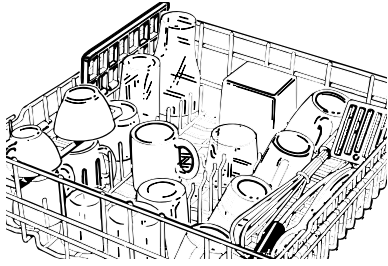
## Forget to Add a Dish?

A forgotten dish can be added any time before the main wash.

- 1 Push the door latch to the left.
- 2 Once the water calms, open the door. Steam may rise out of the dishwasher.
- 3 Add forgotten dishes.
- 4 Close the door and push the latch to the far right.

## Loading the dishwasher racks.

For best dishwashing results, follow these loading guidelines. Features and appearance of racks and silverware baskets may vary from your model.



### Upper Rack

Although the upper rack is for glasses, cups and saucers, pots and pans can be placed in this rack for effective cleaning. Cups and glasses fit best along the sides. This is also a secure place for dishwasher-safe plastics.

*The cup shelf* (on some models) may be placed in the up or down position to add flexibility.

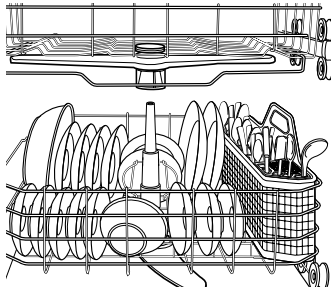
The upper rack is good for all kinds of odd-shaped utensils. Saucepans, mixing bowls and other items should be placed face down.

*Secure larger dishwasher-safe plastics over two times when possible.*

*Make sure small plastic items are secure so they can't fall onto the heater.*

*Be sure that items do not protrude through the bottom of the rack and block rotation of the middle spray arm. This could result in poor wash performance for items in the upper rack.*

*Check to make sure that tall items will not block rotation of the top wash arm.*

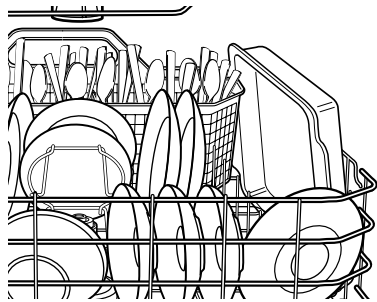


### The Wash Tower

*Keep the center area clear in the lower rack.*

The wash tower rises through the center of the lower rack during the wash and rinse portions of the cycle. The wash tower shoots water into the mid-level wash arm located under the upper rack. Blocking the wash tower could result in poor wash performance for items in the upper rack.

*Don't block or load tall things next to the Wash Tower.*



### Lower Rack

*When loading the lower rack, do not load large platters or trays in the front right corner. They may prevent detergent from circulating during the wash cycle.*

The lower rack is best used for plates, saucers and cookware. Large items such as broiler pans and racks should go along the right-hand side. Load platters, pots and bowls along the sides, in corners or in the back. The soiled side of items should face the center of the rack. If necessary, oversized glasses and mugs can be placed in the lower rack to maximize loading flexibility.

Also, be careful not to let a portion of an item such as a pot or dish handle extend through the bottom rack. This could block the wash arm and result in poor wash performance.

Fold-down fingers (on some models) provide flexibility for extra-large and hard-to-fit items. The fingers may be left in the up position or folded down to customize the lower rack.

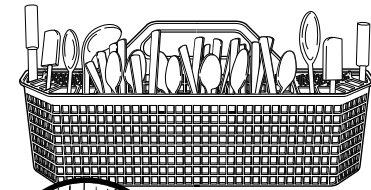
### Silverware Basket

Put flatware in the removable basket with knife handles up to protect your hands. Place spoons in the basket with handles down. Mix knives, forks and spoons so they don't nest together. Distribute evenly. Small plastic items, such as measuring spoons and lids from small containers, should go in the bottom of the silverware basket with silverware on top.

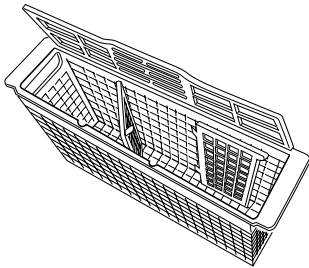
Lids can be assembled to either end of the silverware basket to contain small items. To assemble an end lid, place the outer lid stud into the hole on the outside of the silverware basket. Then place the inside lid stud into the inner hole in the silverware basket. Repeat for other side if desired. Long items can be placed on the cupshelf in the upper rack.

The silverware basket can be placed in the front, side or back of the lower rack.

*The accessory basket (on some models) can hold small items such as: baby bottle nipples, plastic lids, corn cob holders, etc. It can hang from the top hoop of the upper rack along the right side or it can also hang on the right or left side of the lower rack. When hanging the accessory basket on the right side in the upper rack, make sure the top is closed and nothing is sticking out.*

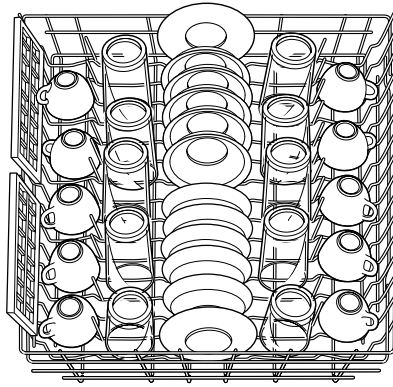


Don't let any item extend through bottom.

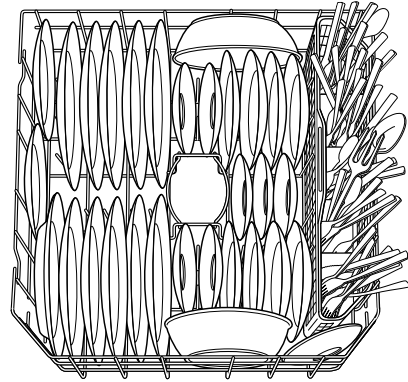


## **Loading place settings.**

Follow these guidelines for loading 10 place settings. Features and appearance of racks and silverware baskets may vary from your model.

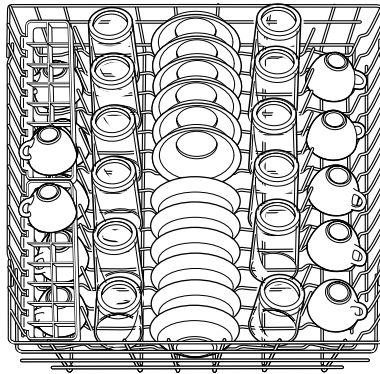


**Upper Rack—10 place settings**

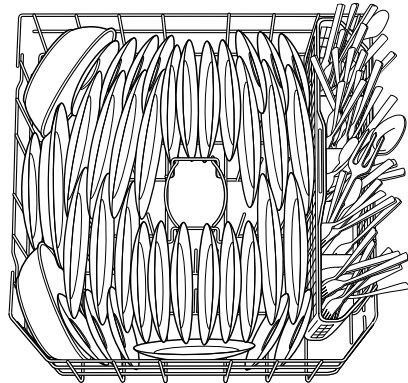


**Lower Rack—10 place settings**

Follow these guidelines for loading 12 place settings. Features and appearance of racks and silverware baskets may vary from your model.



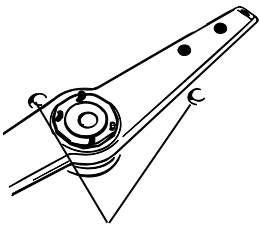
**Upper Rack—12 place settings**



**Lower Rack—12 place settings**

To clean the control panel, use a lightly dampened cloth, then dry thoroughly. To clean the exterior, use a good appliance polish.

Never use sharp object, scouring pads or harsh cleaners on any part of the dishwasher.

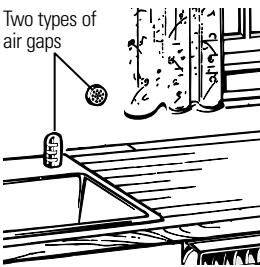


Sump cover screws

## Protect Against Freezing

If your dishwasher is left in an unheated place during the winter, ask a service technician to:

- 1 Cut off electrical power to the dishwasher. Remove fuses or trip circuit breaker.
- 2 Turn off the water supply and disconnect the water inlet line from the water valve.
- 3 Drain water from the inlet line and water valve. (Use a pan to catch the water.)
- 4 Reconnect the water inlet line to the water valve.
- 5 Remove the plastic sump cover in the tub bottom and use a sponge to soak up water in the rubber boot.



Check the air gap any time your dishwasher isn't draining well.

## Does Your Dishwasher Have an Air Gap?

An air gap protects your dishwasher against water backing up into it if a drain clogs. The air gap is not a part of the dishwasher. It is not covered by your warranty. Not all plumbing codes require air gaps, so you may not have one.

### The air gap is easy to clean.

- 1 Turn off the dishwasher and lift off the chrome cover.
- 2 Unscrew the plastic cap and clean with a toothpick.

## The Stainless Steel Panels

The stainless steel panels can be cleaned with **Cerama Bryte®** or a similar product using a clean, soft cloth.

You can order **Cerama Bryte® Stainless Steel Appliance Cleaner** through GE Parts by calling 800.626.2002.

## About optional accessories.

You can change the door and lower access panel appearance of your dishwasher by ordering one of these optional accessories:

- 1/4" Wood Panel Trim Kit
- 3/4" Trimless Wood Panel Kit

These accessories are available at extra cost (VISA, MasterCard or Discover cards accepted) by calling 800.626.2002.

Specify accessory number when ordering.



### Descriptions of Optional Accessories

**Wood panel trim kit**—This accessory contains *trim and instructions* for you to supply and install a 1/4" thick decorative wood door and lower access panel:

- GPF425B (Black)
- GPF425C (Bisque)
- GPF425W (White)

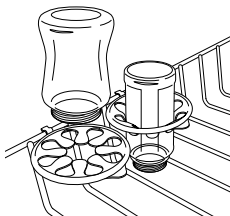
**NOTE:** The GPF100 dishwasher door spring kit must also be ordered and installed *when the door panel weighs 4 lbs. or more.*

**Trimless wood panel kit**—This accessory contains *parts and instructions* for you to supply and install a 3/4" thick decorative wood door and lower access panel:

- GPF475

**NOTE:** The GPF100 dishwasher door spring kit will be included with the *trimless wood panel kit* and must be installed with it.

## About rack accessories.



For best results, the Baby Bottle Holder should be installed on the upper rack of the dishwasher.

**Baby Bottle Holder**  
**Part Number: WX69X200**

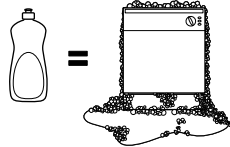
- Prevents movement of baby bottles during the dishwasher cycle
- Snaps easily onto any dishwasher upper rack
- Eliminates hand washing
- Fits all baby bottles

You can order a package of 5 Baby Bottle Holders, at extra cost, by calling 800.626.2002, or through the Internet at [GEAppliances.com](http://GEAppliances.com) (Visa, MasterCard or Discover cards accepted).



**Troubleshooting Tips**  
 Save time and money! Review the charts on the following pages, or visit [GEAppliances.com](http://GEAppliances.com). You may not need to call for service.

| Problem  | Possible Causes  | What To Do  |
|--|--|---|
| <b>Control panel lights go off when you're setting controls</b>                  | Time too long between touching of selected pads                                  | <ul style="list-style-type: none"> <li>Each pad must be touched within 30 seconds of the others. To relight, touch any pad again, or unlock and relatch the door.</li> <li>Try resetting the <b>START/RESET</b> pad.</li> </ul>   |
| <b>Control panel responded to inputs, but dishwasher never filled with water</b> | Door latch may not be properly seated  | <ul style="list-style-type: none"> <li>Call for service.</li> </ul>   |
| <b>Dishwasher won't run</b>  | Fuse is blown, or the circuit breaker tripped                                    | <ul style="list-style-type: none"> <li>Replace fuse or reset circuit breaker. Remove any other appliances from the circuit.</li> <li>Try resetting the <b>START/RESET</b> pad.</li> </ul>   |
| <b>Noise</b>   | Some of the sounds you'll hear are normal  | <ul style="list-style-type: none"> <li>Soft food disposal shredding action.</li> <li>Drain valve opening to pump water out.</li> <li>Timer control as cycle progresses.</li> <li>Detergent cup opening.</li> <li>The motor stopping during the drying period.</li> <li>Water draining out of the tub immediately after you touch the <b>START/RESET</b> pad.</li> </ul>   |
|  | Utensils are not secure in the rack or something small has dropped into the rack | <ul style="list-style-type: none"> <li>Make sure everything is secured in dishwasher.</li> </ul>  |
|  | Motor hums   | <ul style="list-style-type: none"> <li>Dishwasher has not been used on a regular basis. If you do not use your dishwasher often, set it to fill and pump out once every week. This will help keep the seal moist and the garbage disposer clear.</li> </ul>   |
| <b>Water standing in the bottom of the tub</b>                                   | This is normal   | <ul style="list-style-type: none"> <li>A small amount of clean water around the outlet on the tub bottom at the back of the tub keeps the water seal lubricated.</li> </ul>   |
| <b>Water won't pump out of the tub</b>   | Drain is clogged   | <ul style="list-style-type: none"> <li>If you have an air gap, clean it.</li> <li>Check to see if your kitchen sink is draining well. If not, you may need a plumber.</li> <li>If the dishwasher drains into a disposer, run disposer clear.</li> </ul>   |
| <b>Suds in the tub</b>   | Correct detergent wasn't used  | <ul style="list-style-type: none"> <li>Use only automatic dishwasher detergents to avoid sudsing. <b>Cascade</b>®, <b>Cascade</b>® <b>Complete</b> and <b>Electrasol</b>® Automatic Dishwashing Detergents have been approved for use in all GE dishwashers.</li> <li>To remove suds from the tub, open the dishwasher and let suds evaporate. Add 1 gallon of cold water to the tub. Close and latch the dishwasher. Pump out water by pressing the <b>START/RESET</b> pad; then immediately press the <b>START/RESET</b> pad again. Repeat if necessary.</li> </ul> |
|  | Rinse agent was spilled  | <ul style="list-style-type: none"> <li>Always wipe up rinse agent spills immediately.</li> </ul>  |
| <b>Stained tub interior</b>  | Detergent with colorant was used   | <ul style="list-style-type: none"> <li>Some detergents contain colorant (pigment or dyes) that will discolor the tub interior with extended use. Check the detergent cup for signs of any discoloration. If cup is discolored, change to detergent without any colorant. <b>Cascade</b>®, <b>Cascade</b>® <b>Complete</b> and <b>Electrasol</b>® Automatic Dishwashing Detergents have been approved for use in all GE dishwashers.</li> </ul>  |
|  | Some tomato-based foods can stain  | <ul style="list-style-type: none"> <li>Use of the <b>RINSE ONLY</b> cycle (on some models) after adding the dish to the load can decrease the level of staining. GE recommends <b>Cascade</b>® <b>Plastic Booster</b>™ to help remove these types of stains.</li> </ul>   |
| <b>Dishes don't dry</b>  | Low inlet water temperature  | <ul style="list-style-type: none"> <li>Make sure inlet water temperature is correct.</li> <li>Select <b>SPEED DRY</b> or <b>HEATED DRY</b>.</li> </ul>  |
|  | Rinse agent dispenser is empty   | <ul style="list-style-type: none"> <li>Check the rinse agent dispenser.</li> </ul>  |



## Before you call for service...

| Problem                              | Possible Causes                        | What To Do   |
|--------------------------------------|--|--|
| <b>Dishes and flatware not clean</b> | Inlet water temperature is below 120°F | <ul style="list-style-type: none"> <li>• Raise the water heater temperature to 120°F.</li> <li>• Use <b>HI TEMP WASH</b>.</li> </ul>   |
|                                      | Water pressure is temporarily low      | <ul style="list-style-type: none"> <li>• Turn on a faucet. Is water coming out more slowly than usual? If so, wait until pressure is normal before using your dishwasher.</li> </ul> |
|                                      | Air gap is clogged                     | <ul style="list-style-type: none"> <li>• Clean the air gap.</li> </ul>   |
|                                      | Improper rack loading                  | <ul style="list-style-type: none"> <li>• Make sure large dishware does not block the detergent dispenser or the wash arms.</li> </ul>  |

|  |                              |  |
|--|------------------------------|--|
| <b>Spots and filming on glasses and flatware</b> | Extremely hard water         | <ul style="list-style-type: none"> <li>• Use <b>Jet-Dry®</b> or <b>Cascade Rinse Aid®</b> rinse agent to remove spots and prevent new film buildup.</li> </ul>   |
|  | Low inlet water temperature  | <ul style="list-style-type: none"> <li>• To remove stubborn spots and pre-existing film from glassware:               <ol style="list-style-type: none"> <li>1 Remove all metal utensils from the dishwasher.</li> <li>2 Do not add detergent.</li> <li>3 Select the longest cycle.</li> <li>4 Start the dishwasher and allow to run for 18 to 22 minutes. Dishwasher will now be in the main wash.</li> <li>5 Open the door and pour 2 cups (500 ml) of white vinegar into the bottom of the dishwasher.</li> <li>6 Close the door and allow to complete the cycle. If vinegar rinse doesn't work: Repeat as above, except use 1/4 cup (60 ml) of citric acid crystals instead of vinegar.</li> </ol> </li> </ul> |
|  | Overloading the dishwasher   |  |
|  | Improper loading             |  |
|  | Old or damp powder detergent |  |
|  | Rinse agent dispenser empty  |  |
| Too little detergent                             |                              |  |

|                                |   |   |
|--------------------------------|---|---|
| <b>Cloudiness on glassware</b> | Combination of soft water and too much detergent        | <ul style="list-style-type: none"> <li>• This is called <i>etching</i> and is permanent. To prevent this from happening, use less detergent if you have soft water. Wash glassware in the shortest cycle that will get them clean.</li> </ul> |
|                                | Water temperature entering the dishwasher exceeds 150°F | <ul style="list-style-type: none"> <li>• Lower the water heater temperature.</li> </ul>   |

|                                    |   |  |
|------------------------------------|---|--|
| <b>Yellow or brown film on tub</b> | Tea or coffee stains  | <ul style="list-style-type: none"> <li>• Remove the stain by hand, using a solution of 1/2 cup bleach and 3 cups warm water.</li> </ul> <p><b>▲ WARNING</b><br/>Before cleaning interior, wait at least 20 minutes after a cycle for the heating element to cool down. Failure to do so can result in burns.</p> |
|                                    | An overall yellow or brown film can be caused by iron deposits in water | <ul style="list-style-type: none"> <li>• A special filter in the water supply line is the only way to correct this problem. Contact a water softener company.</li> </ul>   |

|                                      |                     |   |
|--------------------------------------|---------------------|---|
| <b>White film on inside surfaces</b> | Hard water minerals | <ul style="list-style-type: none"> <li>• GE recommends <b>Jet-Dry®</b> or <b>Cascade Rinse Aid®</b> to help remove some hard water mineral stains.</li> <li>• For extreme staining, clean the interior by applying dishwasher detergent to a damp sponge. Wear rubber gloves. <b>DO NOT</b> use any type of cleaners other than those recommended or hand dishwashing detergent because it may cause foaming or sudsing. <b>Cascade®, Cascade® Complete</b> and <b>Electrasol®</b> Dishwashing Detergents have been approved for all GE dishwashers.</li> </ul> |
|--------------------------------------|---------------------|---|

|   |  |  |
|---|--|--|
| <b>Detergent left in dispenser cups</b> | Dishes are blocking the detergent cups       | <ul style="list-style-type: none"> <li>• Reposition the dishes.</li> </ul>   |
| <b>Steam</b>                            | This is normal                               | <ul style="list-style-type: none"> <li>• Steam comes through the vent by the door latch during drying and when water is being pumped out.</li> </ul> |
| <b>Black or gray marks on dishes</b>    | Aluminum utensils have rubbed against dishes | <ul style="list-style-type: none"> <li>• Remove marks with a mild, abrasive cleaner.</li> </ul>  |

# GE Dishwasher Warranty.



All warranty service provided by our Factory Service Centers, or an authorized Customer Care® technician. To schedule service, on-line, 24 hours a day, visit us at [GEAppliances.com](http://GEAppliances.com), or call 800.GE.CARES (800.432.2737).

Staple your receipt here.  
Proof of the original purchase date is needed to obtain service under the warranty.

## For The Period Of:

## GE Will Replace:

### One Year

From the date of the original purchase

**Any part** of the dishwasher which fails due to a defect in materials or workmanship. During this **full one-year warranty**, GE will also provide, **free of charge**, all labor and in-home service to replace the defective part.

### Second Year

From the date of the original purchase

**Any part** of the **Water Distribution System** which fails due to a defect in materials or workmanship. Associated inlet and drain plumbing parts are not covered by this warranty. During this **second-year limited warranty**, you will be responsible for any labor or in-home service costs.

### Five Years

From the date of the original purchase

**The electronic control module**, if it should fail due to a defect in materials or workmanship. During this **five-year limited warranty**, you will be responsible for any labor or in-home service costs.

### Ten Years

From the date of the original purchase

**The PermaTuf® tub or door liner**, if it fails to contain water due to a defect in materials or workmanship. During this **full warranty**, GE will also provide, **free of charge**, all labor and in-home service to replace the defective part.

## What Is Not Covered:

- Service trips to your home to teach you how to use the product.
- Improper installation, delivery or maintenance.
- Failure of the product if it is abused, misused, or used for other than the intended purpose or used commercially.
- Replacement of house fuses or resetting of circuit breakers.
- Damage to the product caused by accident, fire, floods or acts of God.
- Incidental or consequential damage caused by possible defects with this appliance.
- Cleaning or servicing of the air gap device in the drain line.
- Damage caused after delivery.

This warranty is extended to the original purchaser and any succeeding owner for products purchased for home use within the USA. In Alaska, the warranty excludes the cost of shipping or service calls to your home.

Some states do not allow the exclusion or limitation of incidental or consequential damages. This warranty gives you specific legal rights, and you may also have other rights which vary from state to state. To know what your legal rights are, consult your local or state consumer affairs office or your state's Attorney General.

**Warrantor: General Electric Company, Louisville, KY 40225**

## Consumer Support.

---



### *GE Appliances Website*

**GEAppliances.com**

Have a question or need assistance with your appliance? Try the GE Appliances Website 24 hours a day, any day of the year! For greater convenience and faster service, you can now download Owner's Manuals, order parts, catalogs, or even schedule service on-line. You can also "Ask Our Team of Experts™" your questions, and so much more...



### *Schedule Service*

**GEAppliances.com**

Expert GE repair service is only one step away from your door. Get on-line and schedule your service at your convenience 24 hours any day of the year! Or call 800.GE.CARES (800.432.2737) during normal business hours.



### *Real Life Design Studio*

**GEAppliances.com**

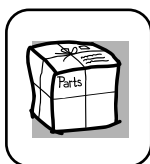
GE supports the Universal Design concept—products, services and environments that can be used by people of all ages, sizes and capabilities. We recognize the need to design for a wide range of physical and mental abilities and impairments. For details of GE's Universal Design applications, including kitchen design ideas for people with disabilities, check out our Website today. For the hearing impaired, please call 800.TDD.GEAC (800.833.4322).



### *Extended Warranties*

**GEAppliances.com**

Purchase a GE extended warranty and learn about special discounts that are available while your warranty is still in effect. You can purchase it on-line anytime, or call 800.626.2224 during normal business hours. GE Consumer Home Services will still be there after your warranty expires.

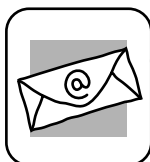


### *Parts and Accessories*

**GEAppliances.com**

Individuals qualified to service their own appliances can have parts or accessories sent directly to their homes (VISA, MasterCard and Discover cards are accepted). Order on-line today, 24 hours every day or by phone at 800.626.2002 during normal business hours.

***Instructions contained in this manual cover procedures to be performed by any user. Other servicing generally should be referred to qualified service personnel. Caution must be exercised, since improper servicing may cause unsafe operation.***



### *Contact Us*

**GEAppliances.com**

If you are not satisfied with the service you receive from GE, contact us on our Website with all the details including your phone number, or write to: General Manager, Customer Relations  
GE Appliances, Appliance Park  
Louisville, KY 40225



### *Register Your Appliance*

**GEAppliances.com**

**Register your new appliance on-line—at your convenience!** Timely product registration will allow for enhanced communication and prompt service under the terms of your warranty, should the need arise. You may also mail in the pre-printed registration card included in the packing material.