

30" Oven Control Panel Parts List Single and Double Oven

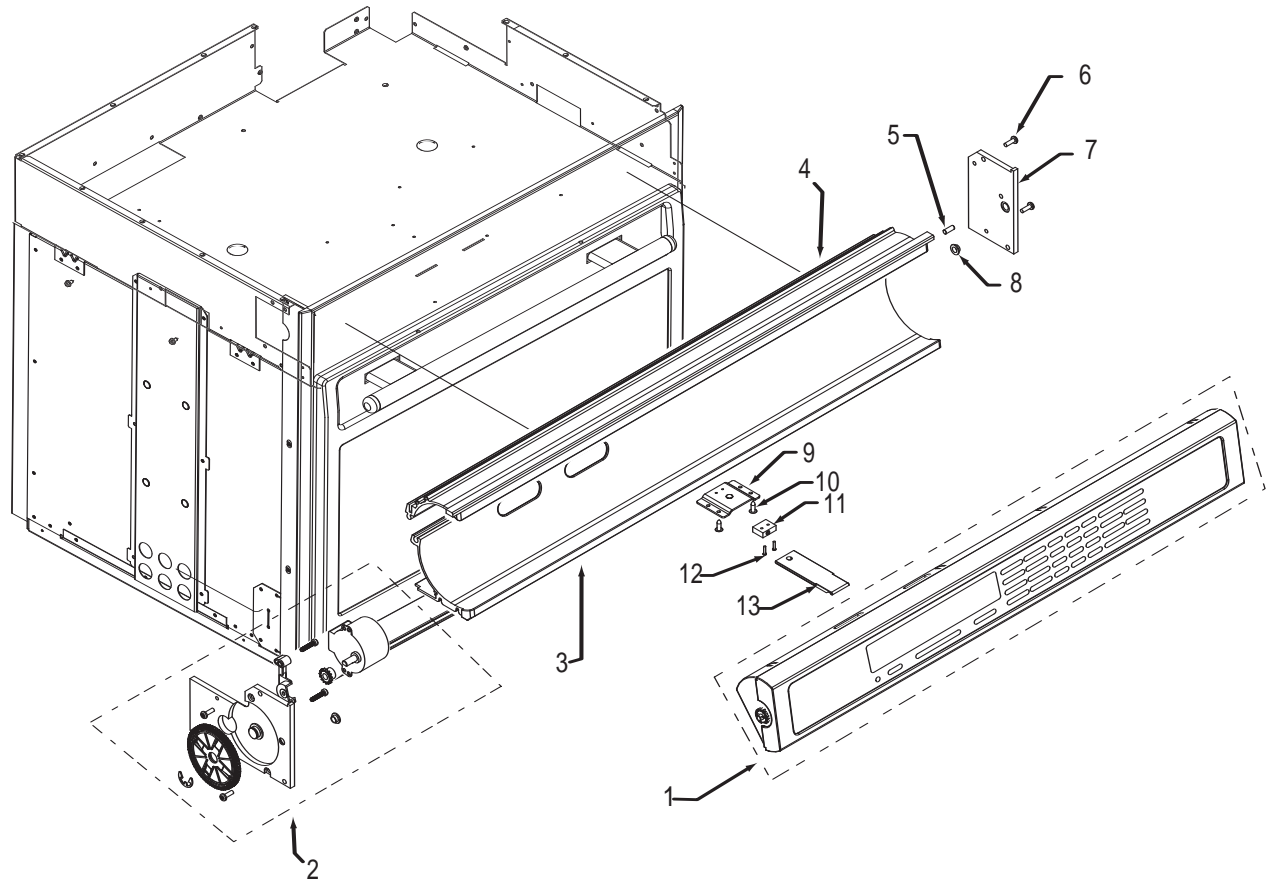
| Ref # | Part # | Description |
|-------|--------|--|
| 1 | 805081 | Control Head, 30, Snagl, Sst |
| | 805104 | Control Head, 30, Dbl, Sst |
| | 805106 | Control Head, 30, Snagl, Plt |
| | 805107 | Control Head, 30, Dbl, Plt |
| | 805109 | Control Head, 30, Snagl, Blk |
| | 805110 | Control Head, 30, Dbl, Blk |
| 2 | 800948 | Motor, Drive Assy., Sst (PTS #11031315 See Ref #14) |
| | 801734 | Motor, Drive Assy., Plt (PTS #11031315 See Ref #14) |
| | 801733 | Motor, Drive Assy., Blk (PTS #11031315 See Ref #14) |
| | 801231 | C-Channel Bottom, 30", Sst |
| 3 | 801738 | C-Channel Bottom, 30", Plt |
| | 801740 | C-Channel Bottom, 30", Blk |
| 4 | 801230 | C-Channel Top, 30", Sst |
| | 801737 | C-Channel Top, 30", Plt |
| | 801739 | C-Channel Top, 30", Blk |
| 5 | 802964 | Pin, Stop, Control Panel |
| 6 | 801538 | Screw, 8-32x1/2" |
| 7 | 802791 | Plate, Mounting, Right, Ctrl Panel |
| 8 | 803484 | Bearing, Flange, Control Panel |
| 9 | 801920 | Bracket, Switch, Control Panel |
| 10 | 801549 | Screw, 8-18x1/2" |
| 11 | 801051 | Switch, Actuation, Control Panel |
| 12 | 801677 | Screw, 2-56x3/8" |
| 13 | 800704 | Plunger, Control Display |

36" Oven Control Panel Parts List Single Oven

| Ref # | Part # | Description |
|-------|--------|--|
| 1 | 805105 | Control Head, 36, Snagl, Sst |
| | 805108 | Control Head, 36, Snagl, Plt |
| | 805111 | Control Head, 36, Snagl, Blk |
| 2 | 800948 | Motor, Drive Assy., Sst (PTS #11031315 See Ref #14) |
| | 801734 | Motor, Drive Assy., Plt (PTS #11031315 See Ref #14) |
| | 801733 | Motor, Drive Assy., Blk (PTS #11031315 See Ref #14) |
| 3 | 801525 | C-Channel Bottom, 36", Sst |
| | 801742 | C-Channel Bottom, 36", Plt |
| | 801744 | C-Channel Bottom, 36", Blk |
| 4 | 801526 | C-Channel Top, 36", Sst |
| | 801741 | C-Channel Top, 36", Plt |
| | 801743 | C-Channel Top, 36", Blk |
| 5 | 802964 | Pin, Stop, Control Panel |
| 6 | 801538 | Screw, 8-32x1/2" |
| 7 | 802791 | Plate, Mounting, Right, Ctrl Panel |
| 8 | 803484 | Bearing, Flange, Control Panel |
| 9 | 801920 | Bracket, Switch, Control Panel |
| 10 | 801549 | Screw, 8-18x1/2" |
| 11 | 801051 | Switch, Actuation, Control Panel |
| 12 | 801677 | Screw, 2-56x3/8" |
| 13 | 800704 | Plunger, Stainless Steel |

Not Shown

803319 Spring, Ribbon Cable, Short

**Oven Control Panel Exploded View
Single and Double Oven**

30" Oven Modules Parts List Single and Double Oven

| Ref # | Part # | Description |
|-------|--------|--|
| 1 | 801542 | Screw, 8-18x3/8" |
| 2 | 800381 | Fan, Cooling, Upper |
| 3 | 801224 | Bracket, Air Diverter Top |
| 4 | 801363 | Control Board, Stepper Motor |
| 5 | 800950 | Transformer, Light |
| 6 | 801912 | Strain Relief, Plastic |
| 7 | 800385 | Cover, Latch |
| 8 | 803356 | Plate, Mounting Hardware |
| 9 | 806822 | Board, Relay, 30"/36" |
| 10 | 806874 | Controller, Oven, Single, 30" (See SN Breaks) |
| | 806551 | Controller, Oven, Single, 30" (See SN Breaks) |
| | 806875 | Controller, Oven, Double, 30" (See SN Breaks) |
| | 806552 | Controller, Oven, Double, 30" (See SN Breaks) |
| 11 | 820130 | Bracket-Z, Latch, Top Oven |
| 12 | 800383 | Bracket, Support, Top Module |
| 13 | 800375 | Bracket, Cord, Power |
| 14 | 804537 | Thermal Cut Out |
| 15 | 800263 | Latch, Motorized |
| 16 | 807542 | Pan, Module, 30" |
| 17 | 800386 | Pan, Middle, DO |
| 18 | 801212 | Bracket, Air Diverter, DO |
| 19 | 820129 | Bracket-Z, Latch, Bottom Oven, DO |

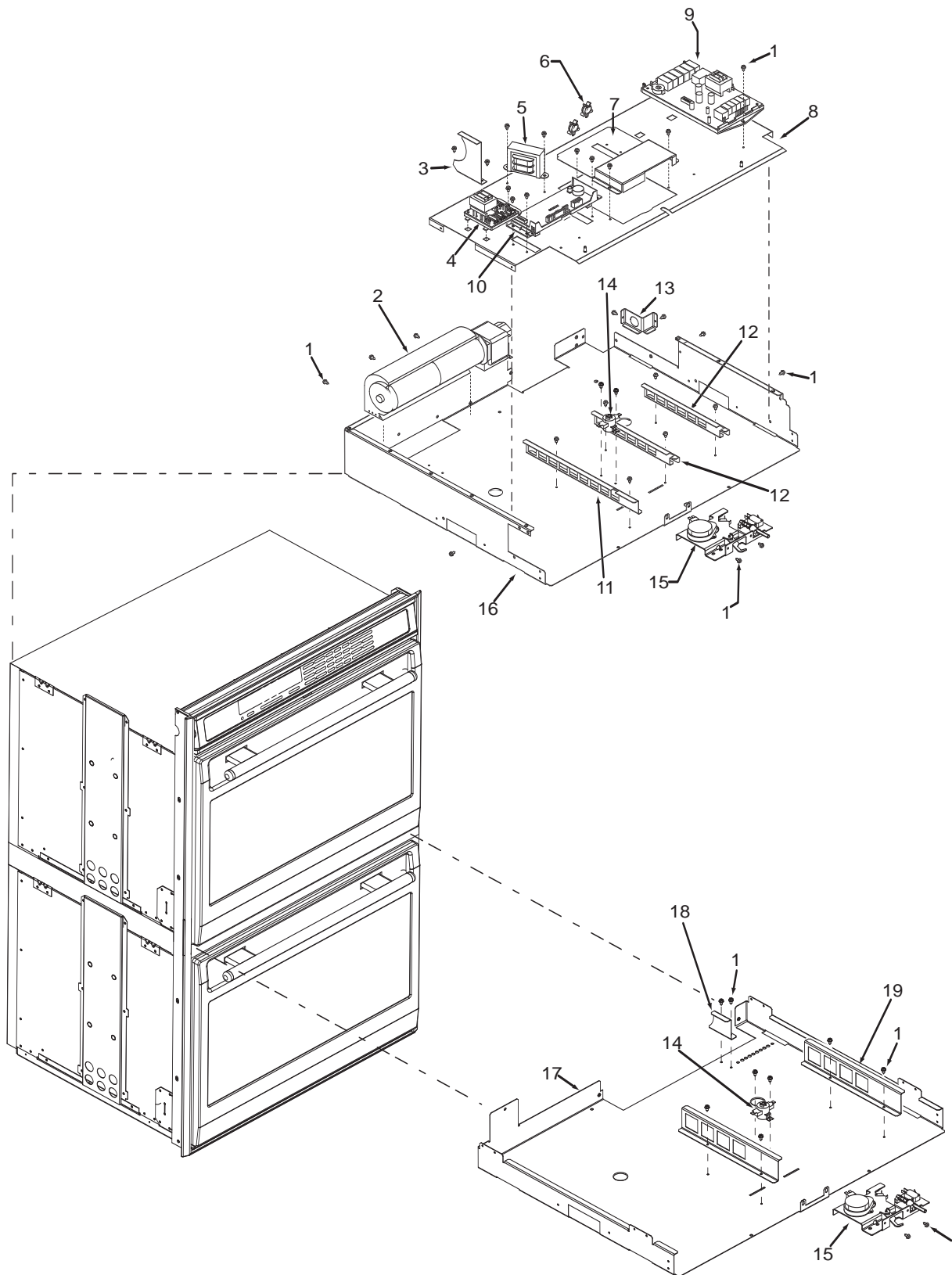
36" Oven Modules Parts List Single Oven

| Ref # | Part # | Description |
|-------|--------|--|
| 1 | 801542 | Screw, 8-18x3/8" |
| 2 | 800381 | Fan, Cooling, Upper |
| 3 | 801224 | Bracket, Air Diverter Top |
| 4 | 801363 | Control Board, Stepper Motor |
| 5 | 800950 | Transformer, Light |
| 6 | 801912 | Strain Relief, Plastic |
| 7 | 800385 | Cover, Latch |
| 8 | 803356 | Plate, Mounting Hardware |
| 9 | 806822 | Board, Relay, 30"/36" |
| 10 | 806874 | Oven controller, Single 36" (See SN Breaks) |
| | 806560 | Oven controller, Single 36" (See SN Breaks) |
| 11 | 820130 | Bracket-Z, Latch |
| 12 | 800383 | Bracket, Support, Top Module |
| 13 | 800375 | Bracket, Cord, Power |
| 14 | 804537 | Thermal Cut Out |
| 15 | 800263 | Latch, Motorized |
| 16 | 807543 | Pan, Module, 36" |

Not Shown

| | |
|--------|---------------------------------|
| 800714 | Cable, Relay to Controller, 28" |
| 809450 | Cable, Relay to Controller, 21" |
| 801714 | Power Cord Conduit, Single |
| 801252 | Power Cord Conduit, Double |

**Oven Modules Exploded View
Single and Double Oven**



30" Oven Cavity Parts List Single and Double Oven

| <u>Ref #</u> | <u>Part #</u> | <u>Description</u> |
|--------------|---------------|--------------------------------------|
| 1 | 803140 | Receptacle, Pizza Element |
| 2 | N/A | Cavity, Oven (Not Replaceable) |
| 3 | 800307 | Light, Oven |
| 4 | 800943 | Cover, Probe Switch |
| 5 | 800942 | Switch, Probe |
| 6 | 800304 | Catalyst, Smoke |
| 7 | 809982 | Sensor, Temperature |
| 8 | 800701 | Fan, Convection Assy., Cw |
| 9 | 801544 | Screw, 8-32x1/2" |
| 10 | 801122 | Pan, Broil Element |
| 11 | 801120 | Element, Broil, 30" |
| 12 | 800368 | Guide, Rack, Right |
| 13 | 802704 | Screw, 8-32x1/2 Lo Profile |
| 14 | 801141 | Guide, Rack, Left |
| 15 | 802898 | Convection Baffle Assembly, 30" |
| 16 | 801417 | Plate, Retainer |
| 17 | 803141 | Receptacle, Plug, Ceramic |
| 18 | 801049 | Nut, 8-32 Keps |
| 19 | 809818 | Fan, Convection Assy., Ccw |
| 20 | 800529 | Probe, Temperature |
| 21 | 802988 | Rack, Oven 30" |
| 22 | 803062 | Rack, Oven Flat 30" |
| 23 | 803859 | Stone, Pizza |
| 24 | 800735 | Rack, Pizza Stone, 30" |
| 25 | 800717 | Element, Pizza 3500 Watt 230V |
| 26 | 803373 | Clip, Retainer Hinge |
| 27 | 802929 | Screw 6-20X5/8 PH TRS HD T-AB, Black |
| 28 | 803323 | Cover, Plate |
| 29 | 804712 | Accessory Pkg Broiler Pan Set |

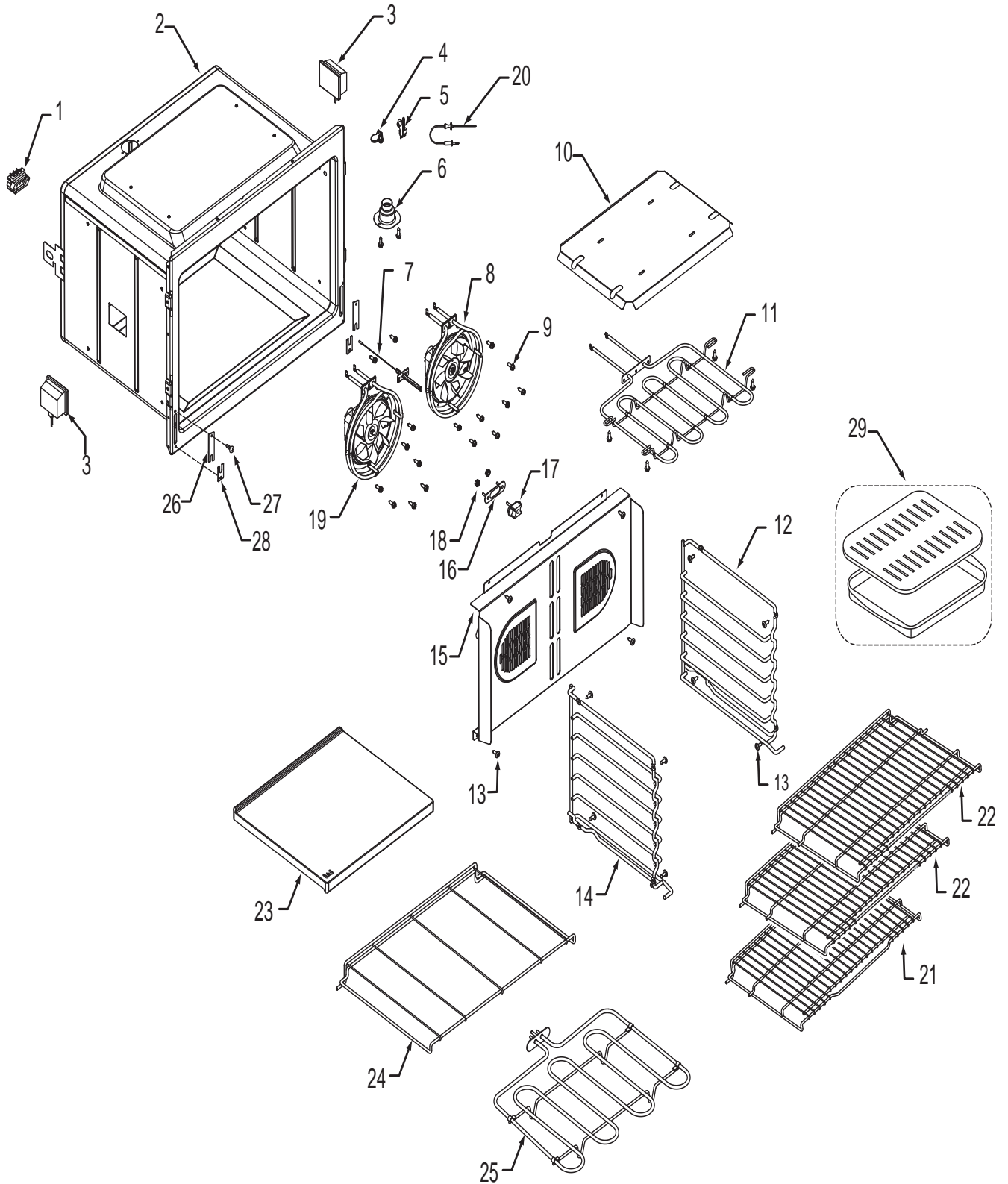
36" Oven Cavity Parts List Single Oven

| <u>Ref #</u> | <u>Part #</u> | <u>Description</u> |
|--------------|---------------|--------------------------------------|
| 1 | 803140 | Receptacle, Pizza Element |
| 2 | N/A | Cavity, Oven (Not Replaceable) |
| 3 | 800307 | Light, Oven |
| 4 | 800493 | Cover, Probe Switch |
| 5 | 800942 | Switch, Probe |
| 6 | 800304 | Catalyst, Smoke |
| 7 | 809982 | Sensor, Temperature |
| 8 | 800701 | Fan, Convection Assy., Cw |
| 9 | 801544 | Screw, 8-32x1/2" |
| 10 | 801616 | Deflector, Pan Broil |
| 11 | 801615 | Element, Broil, 36" |
| 12 | 800734 | Guide, Rack, Right |
| 13 | 802704 | Screw, 8-32x1/2 Lo Profile |
| 14 | 801142 | Guide, Rack, Left |
| 15 | 802900 | Convection Baffle Assembly, 36" |
| 16 | 801417 | Plate, Retainer |
| 17 | 803141 | Receptacle, Plug, Ceramic |
| 18 | 801049 | Nut, 8-32 Keps |
| 19 | 809818 | Fan, Convection Assy., Ccw |
| 20 | 800529 | Probe, Temperature |
| 21 | 802989 | Rack, Oven 36" |
| 22 | 803063 | Rack, Oven Flat 36" |
| 23 | 803859 | Stone, Pizza |
| 24 | 800736 | Rack, Pizza Stone, 36" |
| 25 | 800717 | Element, Pizza 3500 Watt 230V |
| 26 | 803373 | Clip, Retainer Hinge |
| 27 | 802929 | Screw 6-20X5/8 PH TRS HD T-AB, Black |
| 28 | 803323 | Cover, Plate |
| 29 | 804712 | Accessory Pkg Broiler Pan Set |

Not Shown

| | |
|--------|------------|
| 803816 | Light Bulb |
| 801949 | Pizza Peel |

**Oven Cavity Exploded View
Single and Double Oven**



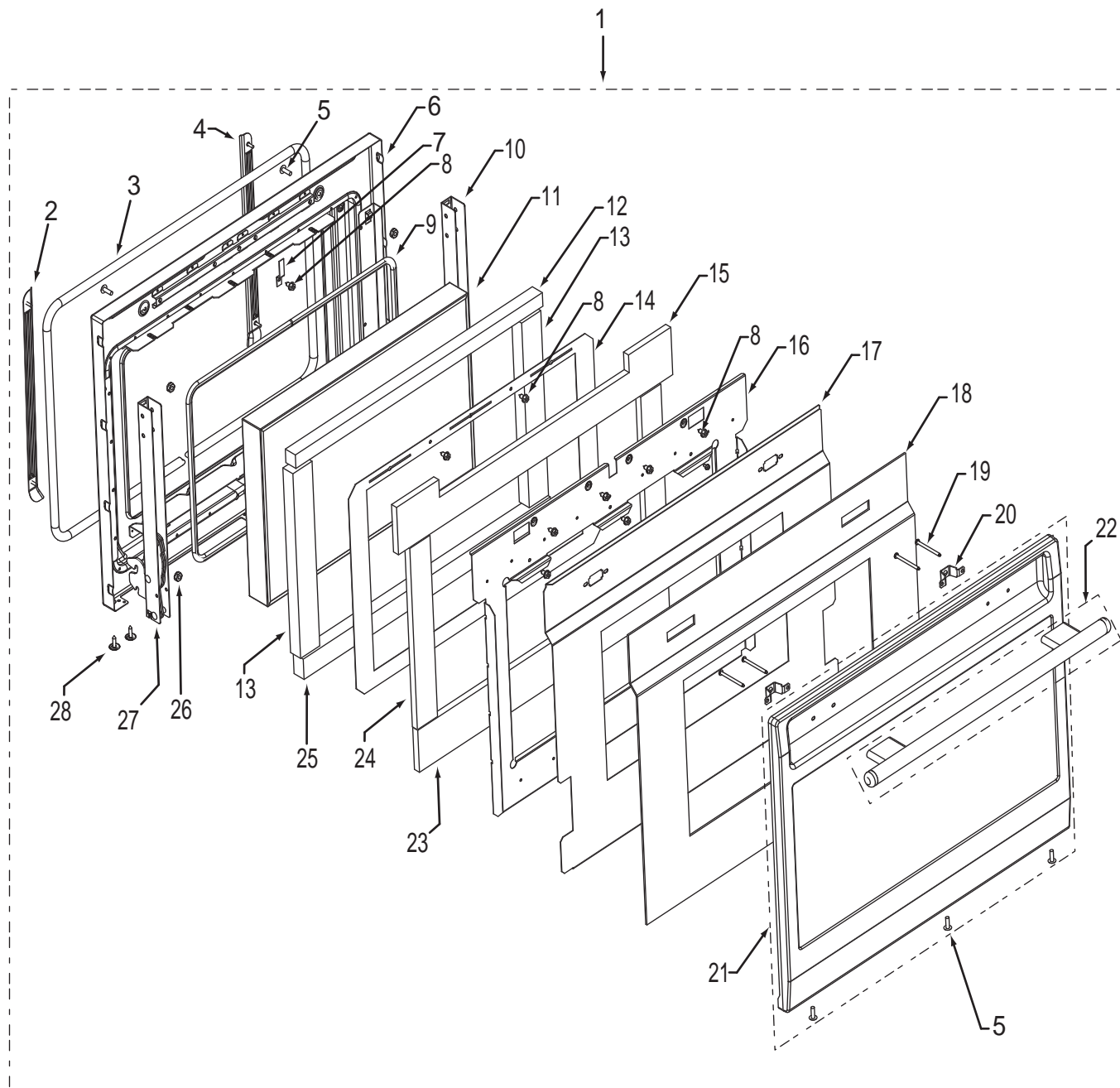
30" Oven Door Parts List Single and Double Oven

| Ref # | Part # | Description |
|-------|--------|---|
| 1 | | *Special order, Call Factory Parts Department |
| 2 | 800523 | Left Door Rack Guide, 30", assy |
| 3 | 803324 | Gasket, Door, 30" |
| 4 | 800522 | Right Door Rack Guide, 30" |
| 5 | 801548 | Screw, 8-18x1/2" |
| 6 | 807708 | Svce Component, Door - 30" |
| 7 | 801102 | Striker Plate, Door Latch |
| 8 | 801542 | Screw, 8-18x3/8" |
| 9 | 800318 | Gasket, Rope, Glass Pack, 30" |
| 10 | 800915 | Hydraulic Oven Door Hinge |
| 11 | 809553 | Triple Pane Oven Glass Pack, 30" |
| 12 | 806610 | Insulation, Door, Inner Top, 30" |
| 13 | 806595 | Insulation, Door, Inner, Sides, 30" |
| 14 | 800319 | Shield, Heat, Inner, Door, 30" |
| 15 | 806602 | Insulation, Door, Center, Top, 30" |
| 16 | 820116 | Heat Deflector, Center, 30" |
| 17 | 800315 | Shield, Heat, Door, 30" |
| 18 | 806596 | Insulation, Door, Outer, 30" |
| 19 | 801540 | Screw, 10-24x1/2" |
| 20 | 800314 | Bracket, Door, Outer, Mounting |
| 21 | 802940 | Door Skin, Outer w/window, 30" F/S |
| | 803227 | Door Skin, Outer w/window, 30" U/S |
| | 803232 | Door Skin, Outer w/window, 30" F/S, No Logo |
| | 803235 | Door Skin, Outer w/window, 30" U/S, No Logo |
| | 803230 | Door Skin, Outer w/window, 30" U/B |
| | 803236 | Door Skin, Outer w/window, 30" U/B, No Logo |
| | 803231 | Door Skin, Outer w/window, 30" U/P |
| | 803237 | Door Skin, Outer w/window, 30" U/P, No Logo |
| 22 | 801204 | Handle, Oven Door, Assy., 30", Sst |
| | 801599 | Handle, Oven Door, Assy., 30", Plt |
| | 801600 | Handle, Oven Door, Assy., 30", Blk |
| 23 | 806606 | Insulation, Door, Center, Back, 30" |
| 24 | 806605 | Insulation, Door, Center, Side, 30" |
| 25 | 806615 | Insulation, Door, Inner, Top/Btm, 30" |
| 26 | 801049 | Nut, 8-32 |
| 27 | 800689 | Hinge, Wall Oven |
| 28 | 802929 | Sems Ph Hd Washer, 6-20x5/8 |

36" Oven Door Parts List Single Oven

| Ref # | Part # | Description |
|-------|--------|---|
| 1 | | *Special order, Call Factory Parts Department |
| 2 | 801816 | Left Door Rack Guide, 36", assy |
| 3 | 803325 | Gasket, Door, 36" |
| 4 | 801815 | Right Door Rack Guide, 36" |
| 5 | 801548 | Screw, 8-18x1/2" |
| 6 | 807709 | Svce Component, Door - 36" |
| 7 | 801102 | Striker Plate, Door Latch |
| 8 | 801542 | Screw, 8-18x3/8" |
| 9 | 801764 | Gasket, Rope, Glass Pack, 36" |
| 10 | 800689 | Hinge, Wall Oven |
| 11 | 801448 | Triple Pane Oven Glass Pack, 36" |
| 12 | 806610 | Insulation, Door, Inner Top, 36" |
| 13 | 806617 | Insulation, Door, Inner, Sides, 36" |
| 14 | 801765 | Shield, Heat, Inner, Door, 36" |
| 15 | 806602 | Insulation, Door, Center, Top |
| 16 | 801766 | Heat Deflector, Center, 36" |
| 17 | 803378 | Shield, Heat, Door, 36" |
| 18 | 801577 | Insulation, Door, Outer, 36" |
| 19 | 801540 | Screw, 10-24x1/2" |
| 20 | 800314 | Bracket, Door, Outer, Mounting |
| 21 | 803245 | Door Skin, Outer w/window, 36" U/S |
| | 803246 | Door Skin, Outer w/window, 36" U/B |
| | 803247 | Door Skin, Outer w/window, 36" U/P |
| 22 | 801206 | Handle, Oven Door, Assy., 36", Sst |
| | 801893 | Handle, Oven Door, Assy., 36", Plt |
| | 801892 | Handle, Oven Door, Assy., 36", Blk |
| 23 | 806606 | Insulation, Door, Center, Back |
| 24 | 806623 | Insulation, Door, Center, Side, 36" |
| 25 | 806615 | Insulation, Door, Inner, Top/Btm, 36" |
| 26 | 801049 | Nut, 8-32 |
| 27 | 800915 | Hydraulic Oven Door Hinge |
| 28 | 802929 | Sems Ph Hd Washer, 6-20x5/8 |

**Oven Door Exploded View
Single and Double Oven**



30" Back View Parts List Single and Double Oven

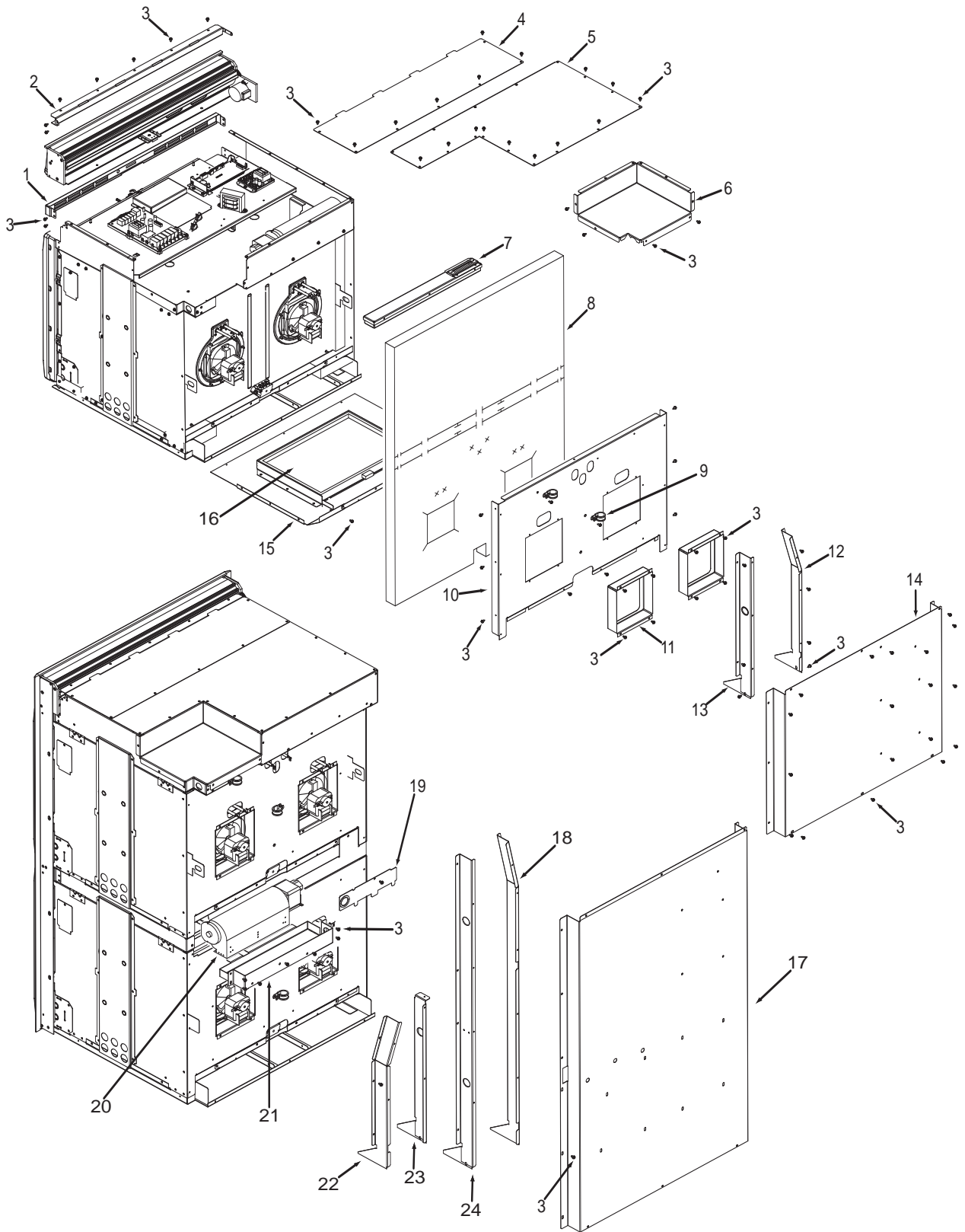
| Ref # | Part # | Description |
|-------|---------|-------------------------------------|
| 1 | 800374 | Face Plate, Venting, Upper |
| 2 | 800382 | Stiffener, Top Module |
| 3 | 801542 | Screw, 8-18x3/8" |
| 4 | 800379 | Panel, Upper, Front |
| 5 | 820118 | Cover, Rear, Top Module |
| 6 | 801705 | Cover, Small, Top Module |
| 7 | 801700 | Catalyst, Sub Assembly |
| 8 | 805976 | Insulation, Cavity, Top |
| | 805977 | Insulation, Cavity, Top Dbl |
| | 805978 | Insulation, Cavity, Back |
| 9 | 801913 | Strain Relief, Metal |
| 10 | 802919 | Panel, Back, Top Insulation |
| 11 | 802918 | Panel, Inner, Back |
| 12 | 801290 | Channel, Divider, Side Exhaust |
| 13 | 803074 | Channel, Divider, Air, Single |
| 14 | 820117 | Panel, Back, Single Oven |
| 15 | 801702* | Bake, Pan Assembly |
| 16 | 800360* | Element, Bake |
| 17 | 800388 | Panel, Back, Double Oven |
| 18 | 801169 | Channel, Divider Side, Exhaust, Lrg |
| 19 | 801208 | Cover, Back Panel, Small |
| 20 | 801143 | Fan, Cooling, Lower |
| 21 | 801209 | Cover, Fan, Cooling |
| 22 | 801170 | Channel, Divider Side Exhaust, Sml |
| 23 | 801171 | Channel, Divider, Cooling |
| 24 | 800393 | Channel, Divider, Cooling, DO |

36" Back View Parts List Single Oven

| Ref # | Part # | Description |
|-------|---------|---------------------------------|
| 1 | 801536 | Face Plate, Venting, Upper, 36" |
| 2 | 801582 | Stiffener, Top Module, 36" |
| 3 | 801542 | Screw, 8-18x3/8" |
| 4 | 801478 | Panel, Top Module, Front, 36" |
| 5 | 801331 | Cover, Large, 36" |
| 6 | 801803 | Cover, Small, Top Module, 36" |
| 7 | 801700 | Catalyst, Sub Assembly |
| 8 | 805979 | Insulation, Cavity, Top, 36" |
| | 805980 | Insulation, Cavity, Back, 36" |
| 9 | 801913 | Strain Relief, Metal, 36" |
| 10 | 803329 | Panel, Insulation, Back, 36" |
| 11 | 802918 | Panel, Inner, Back, 36" |
| 12 | 803334 | Channel, Exhaust, 36" |
| 13 | 803327 | Channel, Cooling, 36" |
| 14 | 801506 | Panel, Cover, Back, 36" |
| 15 | 802700* | Bake, Pan Sub Assembly, 36" |
| 16 | 800360* | Element, Bake, 36" |

* See Bake Pan Assembly exploded view page 5-14.

**Oven Back Exploded View
Single and Double Oven**



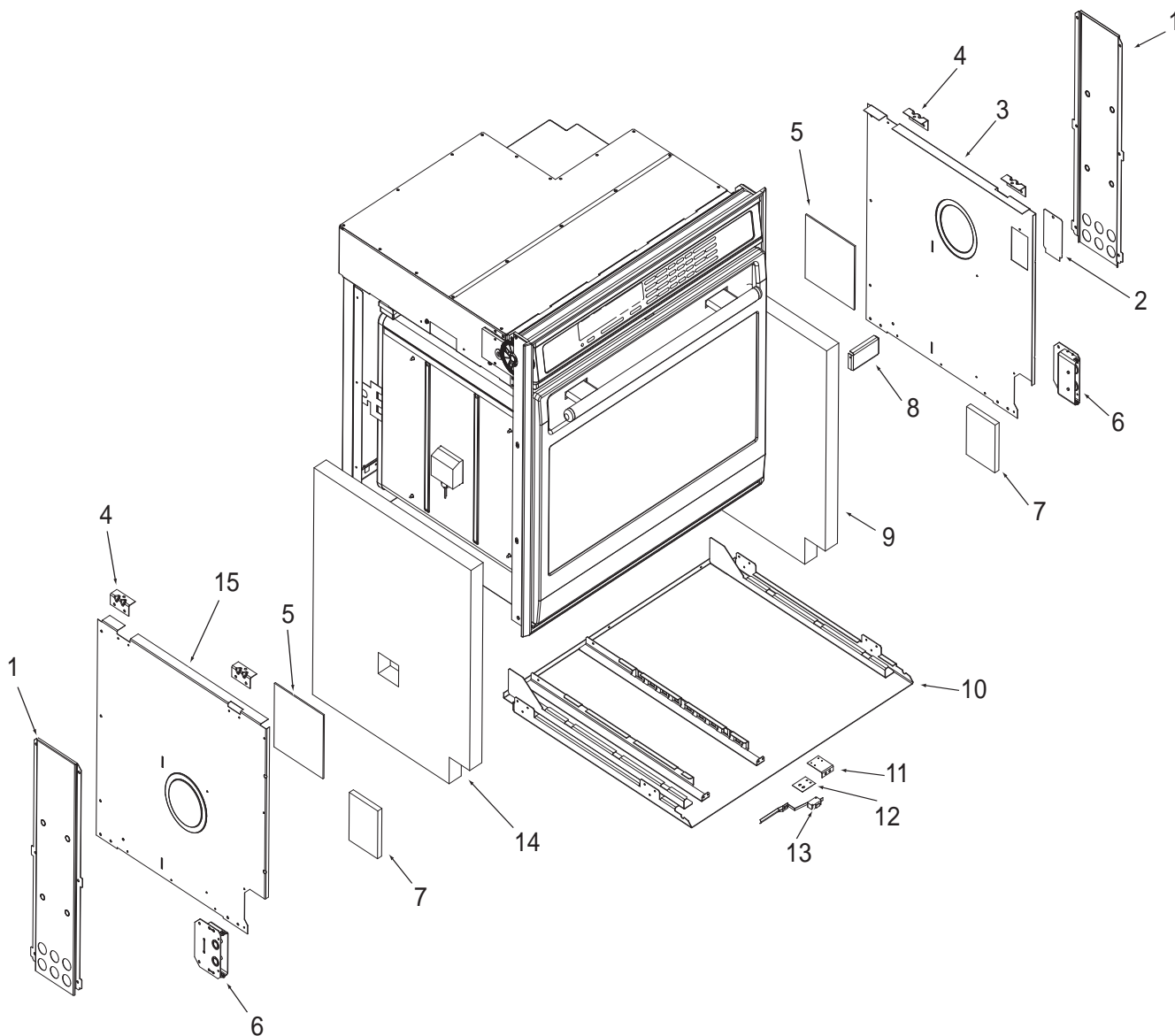
30" Side and Base View Parts List Single and Double Oven

| <u>Ref #</u> | <u>Part #</u> | <u>Description</u> |
|--------------|---------------|--------------------------------|
| 1 | 820125 | Channel, Upper Venting |
| 2 | 800890 | Cover, Temperature Probe |
| 3 | 801721 | Enclosure, Rt Side 30" |
| 4 | 801475 | Bracket, Hold Down |
| 5 | 801530 | Insulation, Light |
| 6 | 800926 | Hinge, Pocket |
| 7 | 806612 | Insulation, Cavity, Hinge |
| 8 | 800364 | Stiffener, U-Wrap |
| 9 | 806608 | Insulation, Cavity, Right Side |
| 10 | 804549 | Base, Assembly Single |
| | 804541 | Base, Assembly, Double |
| 11 | 801901 | Plate, Fan Apparency |
| 12 | 801728 | Insulation, Switch |
| 13 | 802728 | Switch, Fan Apparency |
| 14 | 806609 | Insulation, Cavity, Left Side |
| 15 | 801720 | Enclosure, Left Side, 30" |

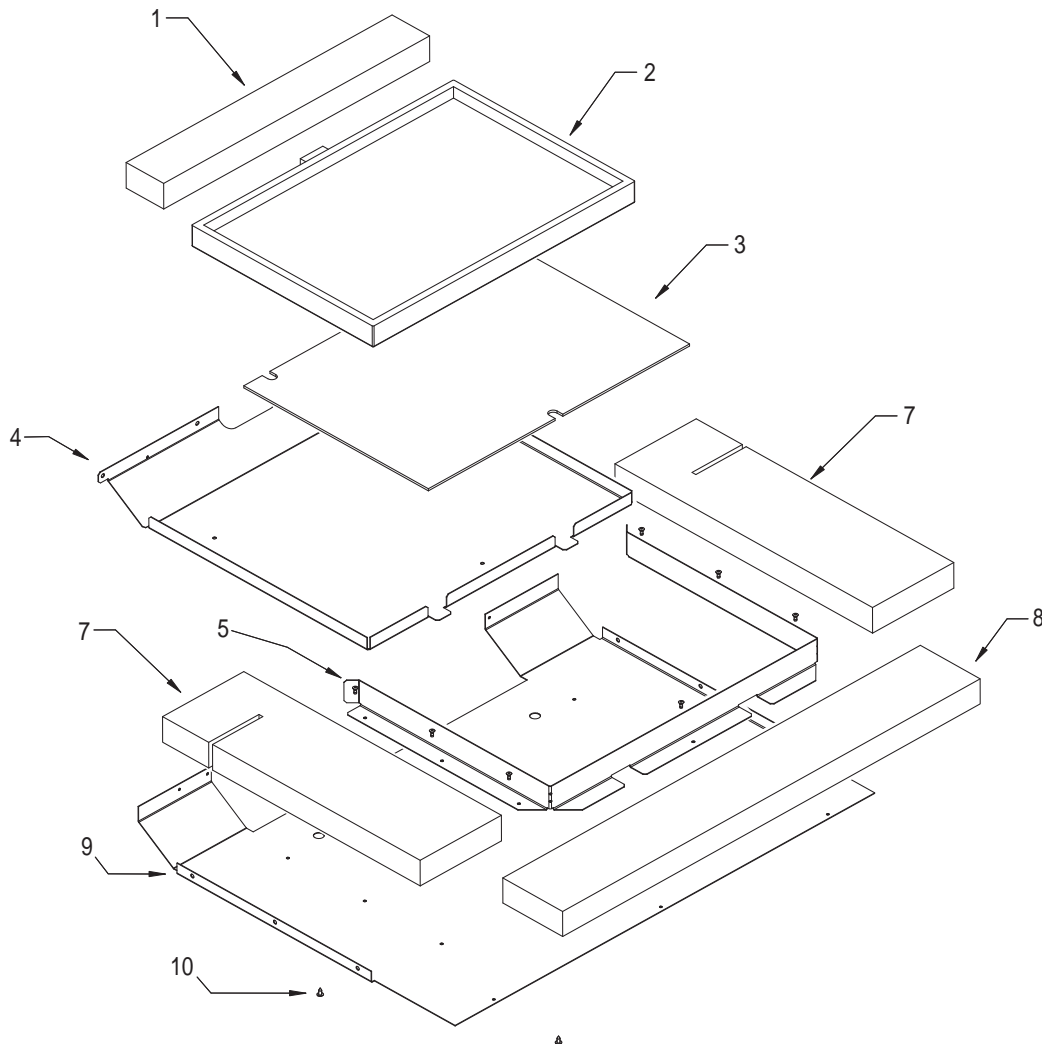
36" Side and Base View Parts List Single Oven

| <u>Ref #</u> | <u>Part #</u> | <u>Description</u> |
|--------------|---------------|--------------------------------|
| 1 | 801335 | Channel, Upper Venting |
| 2 | 800890 | Cover, Temperature Probe |
| 3 | 801724 | Enclosure, Rt Side |
| 4 | 801475 | Bracket, Hold Down |
| 5 | 801530 | Insulation, Light |
| 6 | 800926 | Hinge, Pocket |
| 7 | 806612 | Insulation, Cavity, Hinge |
| 8 | 800364 | Stiffener, U-Wrap |
| 9 | 806619 | Insulation, Cavity, Right Side |
| 10 | 804553 | Base, Assembly, 36" |
| 11 | 801901 | Plate, Fan Apparency |
| 12 | 801728 | Insulation, Switch |
| 13 | 802728 | Switch, Fan Apparency |
| 14 | 806618 | Insulation, Cavity, Left Side |
| 15 | 801723 | Enclosure, Left Side, |

**Oven Side and Base Exploded View
Single and Double Oven**



Bake Pan Assembly Exploded View
Single and Double Oven



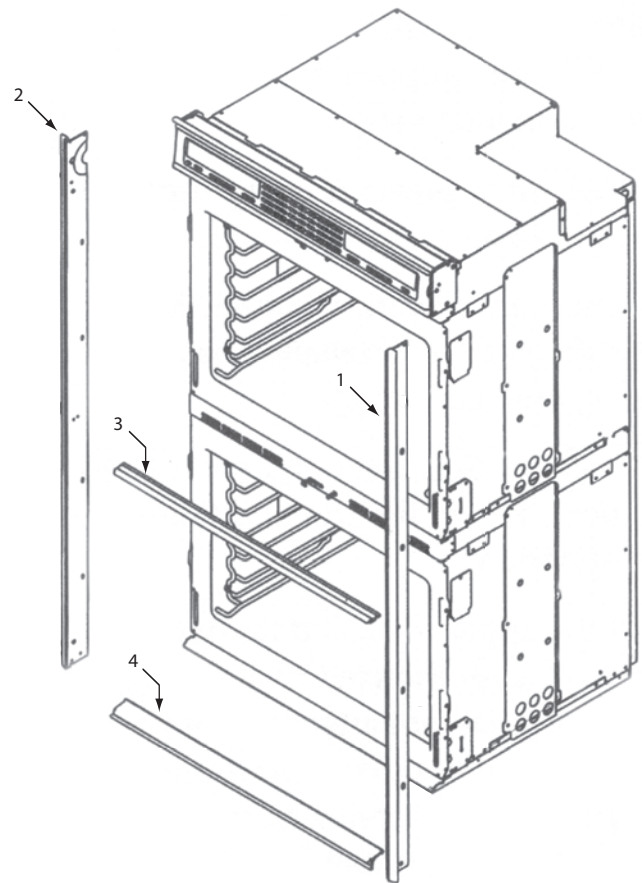
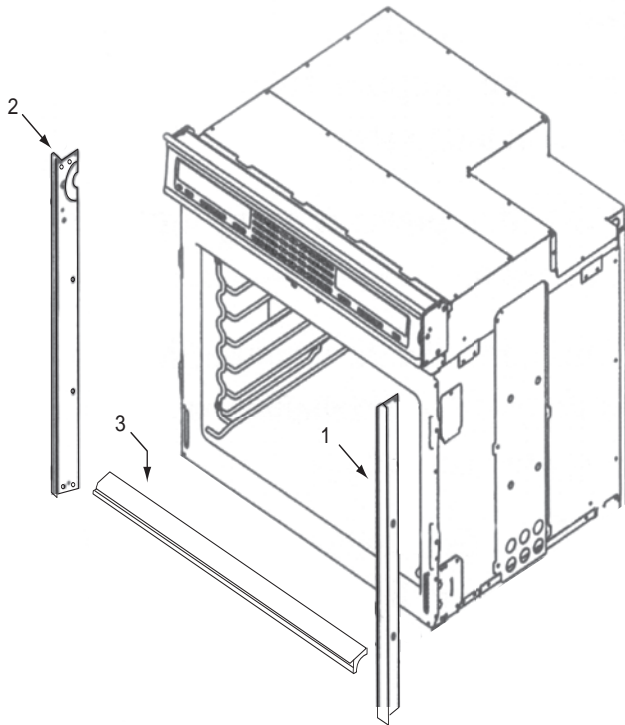
30" Bake Pan Parts List
Single and Double Oven

| Ref # | Part # | Description |
|-------|--------|-----------------------------------|
| 1 | 806598 | Insulation, Bake Element , Behind |
| 2 | 800360 | Element, Bake |
| 3 | 801159 | Insulation, Bake Element, Under |
| 4 | 800359 | Pan, Bake Element |
| 5 | 800358 | Bracket, Bake Element |
| 6 | 801542 | Screw, 8-18x3/8" |
| 7 | 806604 | Insulation, Base, U-Wrap Sides |
| 8 | 806634 | Insulation, Base, U-Wrap Front |
| 9 | 801722 | Enclosure, Bottom, 30" |
| 10 | 801553 | Screw, 6-20x3/8" |

36" Bake Pan Parts List
Single Oven

| Ref # | Part # | Description |
|-------|--------|-----------------------------------|
| 1 | 806598 | Insulation, Bake Element , Behind |
| 2 | 800360 | Element, Bake |
| 3 | 801159 | Insulation, Bake Element, Under |
| 4 | 800359 | Pan, Bake Element |
| 5 | 800358 | Bracket, Bake Element |
| 6 | 801542 | Screw, 8-18x3/8" |
| 7 | 806620 | Insulation, Base, U-Wrap Sides |
| 8 | 806621 | Insulation, Base, U-Wrap Front |
| 9 | 801725 | Enclosure, Bottom, 36" |
| 10 | 801553 | Screw, 6-20x3/8" |

Trim Exploded View



| Model # | Ref# | Part # | Description |
|----------------|-------------|---------------|------------------------|
| SO30F/S | 1 | 800706 | Extrusion, Side, Right |
| | 2 | 800707 | Extrusion, Side, Left |
| | 3 | 805115 | Extrusion, Bottom |
| SO36U/S | 1 | 800939 | Extrusion, Side, Right |
| | 2 | 800938 | Extrusion, Side, Left |
| | 3 | 802731 | Extrusion, Bottom |
| SO30U/B | 1 | 800525 | Extrusion, Side, Right |
| | 2 | 800524 | Extrusion, Side, Left |
| | 3 | 805175 | Extrusion, Bottom |
| SO36U/B | 1 | 802740 | Extrusion, Side, Right |
| | 2 | 802739 | Extrusion, Side, Left |
| | 3 | 802743 | Extrusion, Bottom |

| Model # | Ref# | Part # | Description |
|----------------|-------------|---------------|------------------------|
| DO30F/S | 1 | 803967 | Extrusion, Side, Right |
| | 2 | 800390 | Extrusion, Side, Left |
| | 3 | 802719 | Extrusion, Middle, |
| | 4 | 805115 | Extrusion, Bottom |
| DO30U/S | 1 | 800389 | Extrusion, Side, Right |
| | 2 | 800390 | Extrusion, Side, Left |
| | 3 | 802719 | Extrusion, Middle, |
| | 4 | 805115 | Extrusion, Bottom |
| SO30U/P | 1 | 800518 | Extrusion, Side, Right |
| | 2 | 800519 | Extrusion, Side, Left |
| | 4 | 805174 | Extrusion, Bottom |
| SO36U/P | 1 | 802742 | Extrusion, Side, Right |
| | 2 | 802741 | Extrusion, Side, Left |
| | 4 | 802744 | Extrusion, Bottom |
| DO30U/P | 1 | 802738 | Extrusion, Side, Right |
| | 2 | 802737 | Extrusion, Side, Left |
| | 3 | 802736 | Extrusion, Middle |
| | 4 | 805174 | Extrusion, Bottom |
| DO30U/B | 1 | 800528 | Extrusion, Side, Right |
| | 2 | 800527 | Extrusion, Side, Left |
| | 3 | 800526 | Extrusion, Middle |
| | 4 | 805175 | Extrusion, Bottom |