

This Owner's Manual is provided and hosted by [Appliance Factory Parts](#).



Haier HWD1600 Owner's Manual

[Shop genuine replacement parts for Haier HWD1600](#)



[Find Your Haier Washer Parts - Select From 146 Models](#)

----- Manual continues below -----

Front Load Clothes Washer & Dryer Combo

Combi laveuse à chargement frontal & Sécheuse

Combo de Lavadora y Secadora de Ropa con Carga Frontal



User Manual
Model # HWD1600

Guide de l'Utilisateur
Modèle # HWD1600

Manual del Usuario
Para Modelo de # HWD1600

Haier

Quality · Innovation · Style

IMPORTANT SAFETY INSTRUCTIONS

Warning– To reduce the risk of fire, electric shock, or injury to persons when using your appliance, follow basic precautions, including the following:

1. Read all instructions before using the appliance.
2. Use this appliance only for its intended purpose as described in this use and care guide.
3. Use only detergents or softeners recommended for use in this appliance and keep them out of the reach of children.
4. This appliance must be properly installed in accordance with the installation instructions before it is used.
5. Never unplug your appliance by pulling on the power cord. Always grasp the plug firmly and pull straight out from the outlet.
6. Replace immediately worn power cords, loose plugs/power outlets.
7. Unplug your appliance before cleaning or before making any repairs.
8. If your old appliance is not being used, we recommend that you remove the door. This will reduce the possibility of danger to children.
9. Do not operate your appliance in the presence of explosive fumes.
10. Do not use this appliance to wash clothes soaked, spotted or washed in gasoline, dry cleaning solvents or any other explosive or flammable substances that could ignite and explode.
11. Clothes or rags used to clean flammable or explosive materials should not be washed in this appliance till all traces of this material has been removed, to avoid an accident.
12. Do not add or mix any flammable or explosive substances to the wash.
13. Do not operate your appliance when parts are missing or parts are broken.
14. Do not use this appliance for commercial clothes washing.
15. Do not operate this appliance unless all enclosure panels are properly in place.
16. Do not tamper with controls.
17. To reduce risk of injury do not allow children to play in or on the appliance. Close supervision of children is necessary when the appliance is used near children.
18. This appliance must be connected to proper electrical outlet with the correct electrical supply.
19. Proper grounding must be ensured to reduce the risk of shock and fire.

DO NOT CUT OR REMOVE THE GROUNDING PLUG. If you do not have a three-prong electric receptacle outlet in the wall, have a certified electrician install the proper receptacle. The wall receptacle **MUST** be properly grounded.

20. Hydrogen gas may be produced if the water heater has not been used in more than 2 weeks. This could be explosive under certain circumstances. If this is the case, before using this appliance turn on all the hot faucets and let the hot water run for a few minutes. This will let the trapped hydrogen escape. During this process do not turn on an electric appliance, smoke, light a match/lighter or use a flame to avoid an accident, as hydrogen gas is flammable and can explode.
21. Do not dry articles that have been previously cleaned in, washed in, soaked in, or spotted with gasoline, dry-cleaning solvents, or other flammable or explosive substances, as they give off vapors that could ignite or explode.
22. Do not repair or replace any part of the appliance or attempt any servicing unless specifically recommended in the user-repair instructions that you understand and have skills to carry out.
23. Do not use heat dry for articles containing foam rubber or similarly textured rubber-like materials.
24. Do not place items exposed to cooking oils in your appliance. Items contaminated with cooking oils may contribute to a chemical reaction that could cause a load to catch fire.

SAVE THESE INSTRUCTIONS

Note: These units have a self-locking device. Please wait for 3 minutes after you stop the machine before opening the door.

DANGER

Risk of child entrapment. Before you throw away your old appliance, take off the door so that children may not easily get trapped inside.

Thank you for purchasing our Haier product. This easy-to-use manual will guide you in getting the best use of your washer and dryer combo.

Remember to record the model and serial number. They are on a label in back of the unit.

Model number

Serial number

Date of purchase

Staple your receipt to your manual. **You will need it to obtain warranty service.**

ELECTRICAL CONNECTIONS

GROUNDING INSTRUCTIONS

This appliance must be grounded. In the event of an electrical short circuit, grounding reduces the risk of electric shock by providing an escape wire for the electric current. This appliance is equipped with a cord having a grounding wire with a grounded plug. The plug must be inserted into an outlet that is properly installed and grounded.

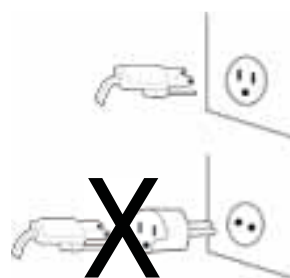


- Improper use of the plug can result in a risk of electric shock.
- Consult a qualified electrician or service person if the grounding instructions are not completely understood or if doubt exists as to whether the appliance is properly grounded.

Wiring Requirements:

- This appliance must be plugged into at least 15 AMP 120 VOLT, 60 HZ GROUNDED OUTLET.

Note: Where a standard two-prong outlet is encountered, it is the personal responsibility and obligation of the consumer to have it replaced with a properly grounded three-prong outlet.



Extension Cords:

We do not recommend that you use an extension cord.



Power Interruptions

Occasionally there may be power interruptions due to thunderstorms or other causes. Remove the power cord from AC outlet when a power outage occurs. When power has been restored re-plug power cord to AC outlet. If outage is for a prolonged period, clean washer before using it again. For details see "other functions" - "Power-Off memory function" Page 19.

TABLE OF CONTENTS

SAFETY INSTRUCTIONS	1
ELECTRICAL CONNECTING	4
Grounding Instructions.....	4
PARTS AND FEATURES	6
Front	6
Back.....	7
INSTALLATION INSTRUCTIONS	8
Tools and Materials Required.....	8
Unpacking Your Washer	9
INSTALLATION	11
Power Supply	12
Unit Dimensions	12
OPERATIONAL INSTRUCTIONS	13
Control Panel.....	13
OPERATIONAL SELECTION	15
PROGRAM SELECTION	16
Loading	17
Proper Use of Dispenser	17
WASHING METHODS	18
ADDITIONAL INFORMATION	18
Normal Operating Sounds.....	19
CARE AND CLEANING GUIDE	20
Cleaning and Maintenance.....	20
Moving and Vacationing	21
Storage of Your Appliance in Cold Environment.....	21
WARNING CODES	22
TROUBLESHOOTING	23
TECHNICAL SPECIFICATION	25
WARRANTY	26

PARTS AND FEATURES

Front

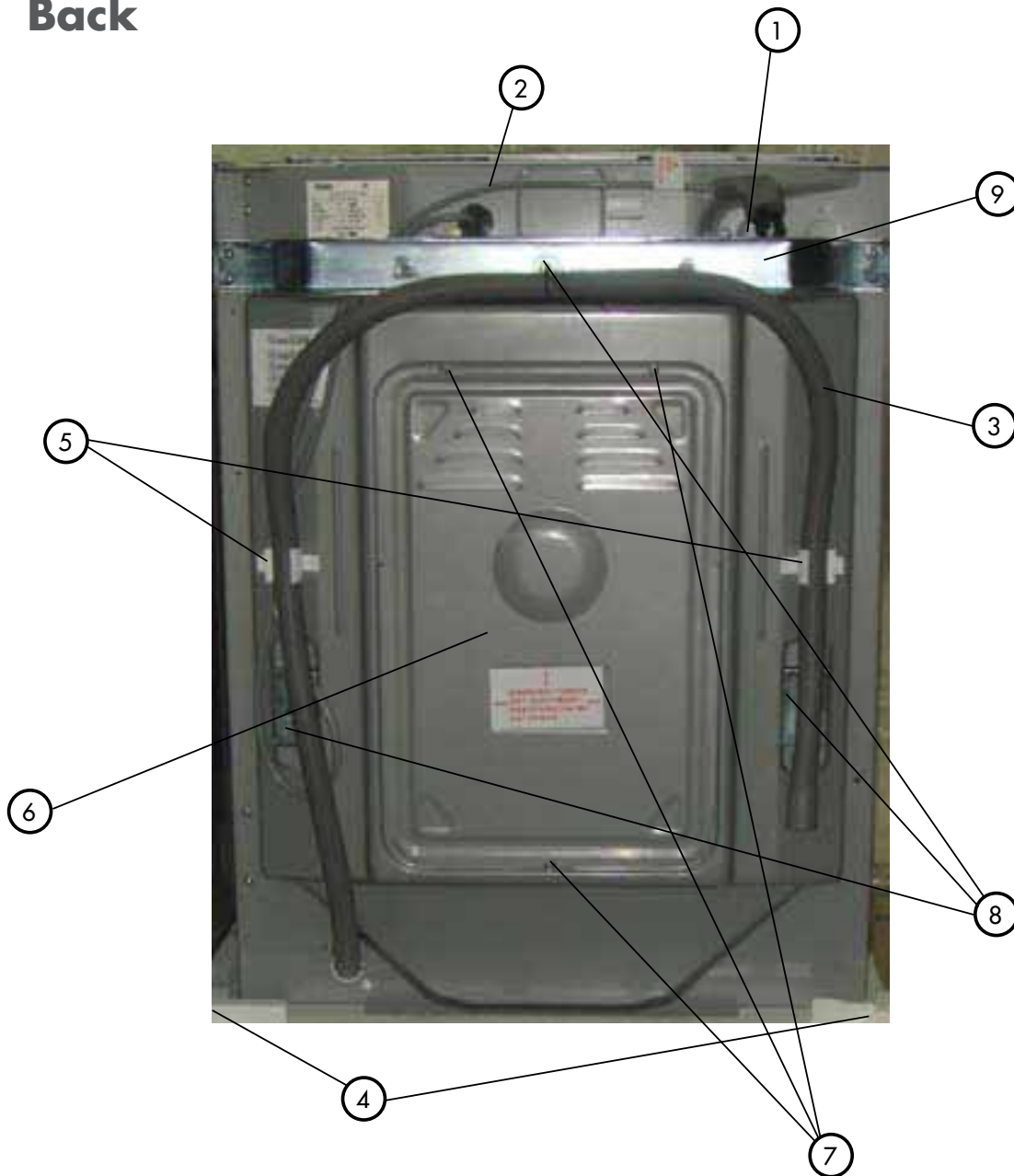


1. Cycle Selector Dial
2. Start/Pause Button
3. Dry Cycle Selector Button
4. Extra Rinse Selection Button
5. Prewash Function Button
6. Delay Button
7. Remaining Time Display

8. Spin Speed Selection Button
9. Temperature Selection Button
10. See Through Glass Window Door
11. Button Trap (not shown)
12. Front Adjustable Legs (not shown)
13. Detergent/Softener Dispenser
14. Removable Cover

PARTS AND FEATURES

Back



1. Water Inlets (Hot/Cold)
2. Power Supply
(120V/60Hz, 15 Amps)
3. Drain Hose
4. Rear Adjustable Leveling Legs
(not shown)

5. Drainage Hose Clips (3)
6. Back Plate
7. Back Plate Screws (3)
8. Transportation Bolts (3)
9. Metal Bracket

INSTALLATION INSTRUCTIONS

⚠ Warning – Risk of Fire

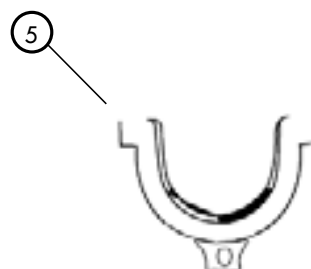
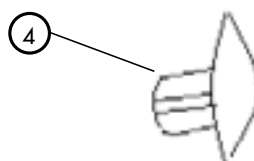
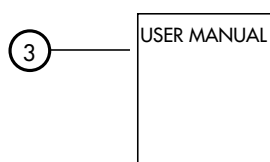
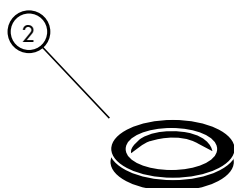
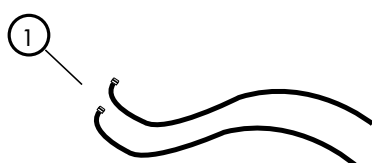
- Washer/Dryer Combo installation must be performed by a qualified installer.
- Install the Combo according to the manufacturer's instructions and local codes.
- To reduce the risk of severe injury or death, follow all installation instructions.
- Save these instructions

Tools and Materials Required

You will need to have the following tools to help you in the installation of your washer:

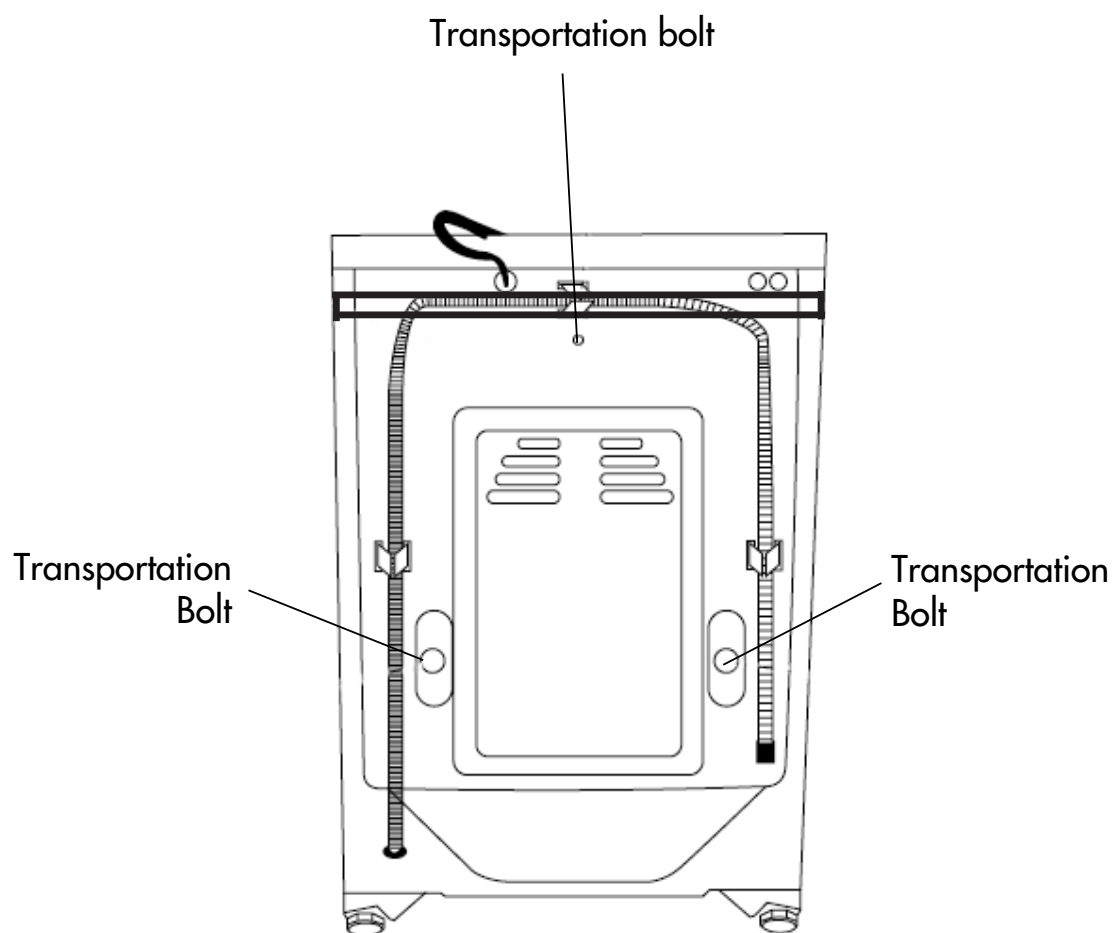
- Scissors
- Standard Screwdriver
- Pliers
- Wrench
- Tape Measure
- Gloves
- Level

Accessories Supplied	Quantity
1. Hot & Cold Water Inlet Hoses	2
2. Flat Water Inlet Hose Washers (Installed in each end of water inlet hoses)	4
3. Use & Care Guide (Not Shown)	1
4. Plastic Plugs to cover transportation bolt holes	3
5. Drain hose support bracket	1



Unpacking Your Appliance

- Remove all packing materials including transportation bolts.
- Inspect and remove any remains of packing, tape or printed materials before using the washer.
- Transportation Bolts must be removed before using the machine. Once removed, save them so when moving you can reinstall to protect the machine from damage during shipping.
- Water inlet hoses and other accessories are packed and placed in the drum.



- As shown in figure 1, remove all the packing materials (including the foam base).

Upon opening of the package, water drops may be seen on the plastic bag and the porthole. This is a normal phenomenon resulting from water tests in the factory. Water tests are conducted to check for leakage.

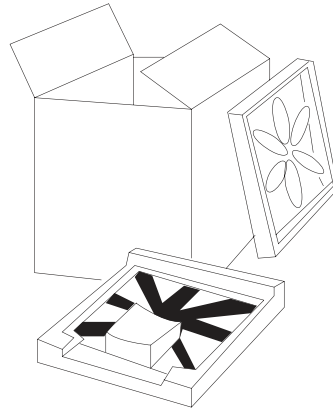


Fig. 1



- Remove three transportation bolts as shown in figure 2A. The bolts protect the appliance from shock during transportation. The steps below should be followed before using the appliance:

1. Remove the back plate of the washing machine. To remove this you must remove three screws holding the panel.
2. Now you could remove the transportation bolts. While removing the three bolts from the rear of the washing machine, remove the rubber hoses which are behind the transportation bolts inside the unit at the same time. Remove the metal bracket and save in a safe place for later use.
3. Reinstall the back plate.
4. Fill the holes left by the bolts with plastic plugs. (Attention: The bolts and rubber hose should be kept in a safe place for later use.) (Fig. 2B)

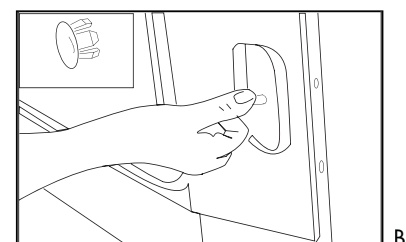
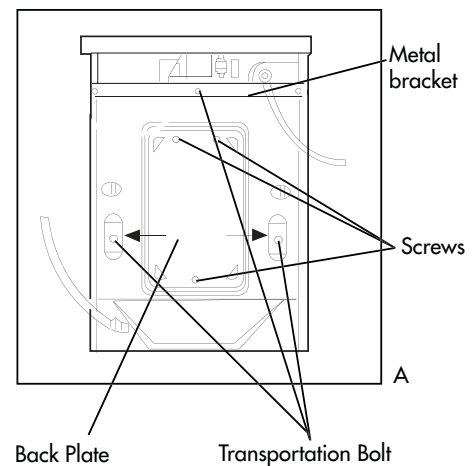


Fig. 2

- Leveling the washing machine: There are adjustable feet under the bottom of the washing machine. Before use, the washing machine should be adjusted, as shown in figure 3, so that it is level.
- Leveling legs can be adjusted by turning them counterclockwise to raise your washer or clockwise to lower your washer.

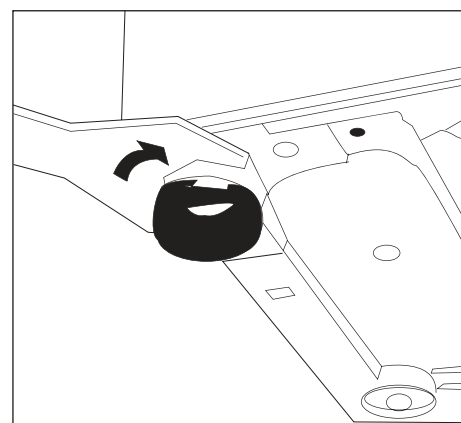


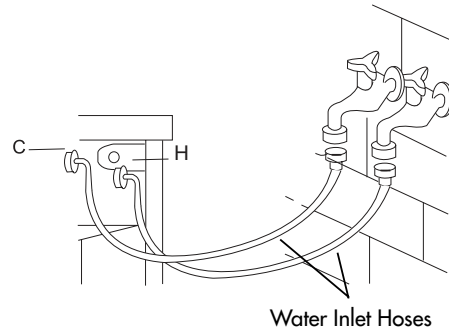
Fig. 3

INSTALLATION

Connection of water inlet hose and washing machine

(use new hose sets, old hose sets should not be reused)

- Connect the straight coupling of the inlet hose to the water tap and make sure to tighten it.
- Connect the elbow coupling of the inlet hose to each inlet valves of the unit and make sure to tighten it.

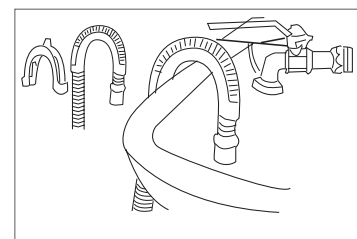
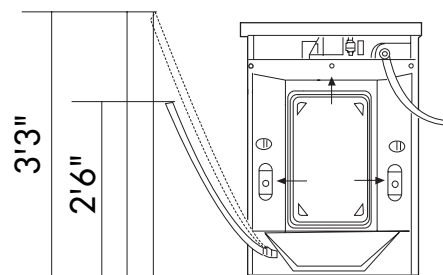


- Note:**
- Please be sure that the COLD inlet hose is connected with the valve for cold water (marked with "C").
 - Please be sure that the HOT inlet hose is connected with the valve for hot water (marked with "H").

Note: A flat rubber washer must be present inside each end of the inlet hoses. Over tightening may cause damage to the valve.

Water Drainage Hose

- The height of the pipe for the water drainage hose should be between 2'6" to 3'3". The water drain hose must be securely placed on the clip on the back of the washing machine.
- Use the water drainage support (bracket) supplied as an accessory for proper installation. If the water drain hose needs to be extended, it should not be extended more than 8'2". (Longer extension will result in concurrent water inflow and outflow.) The diameter of the extension hose should be the same as the original hose.



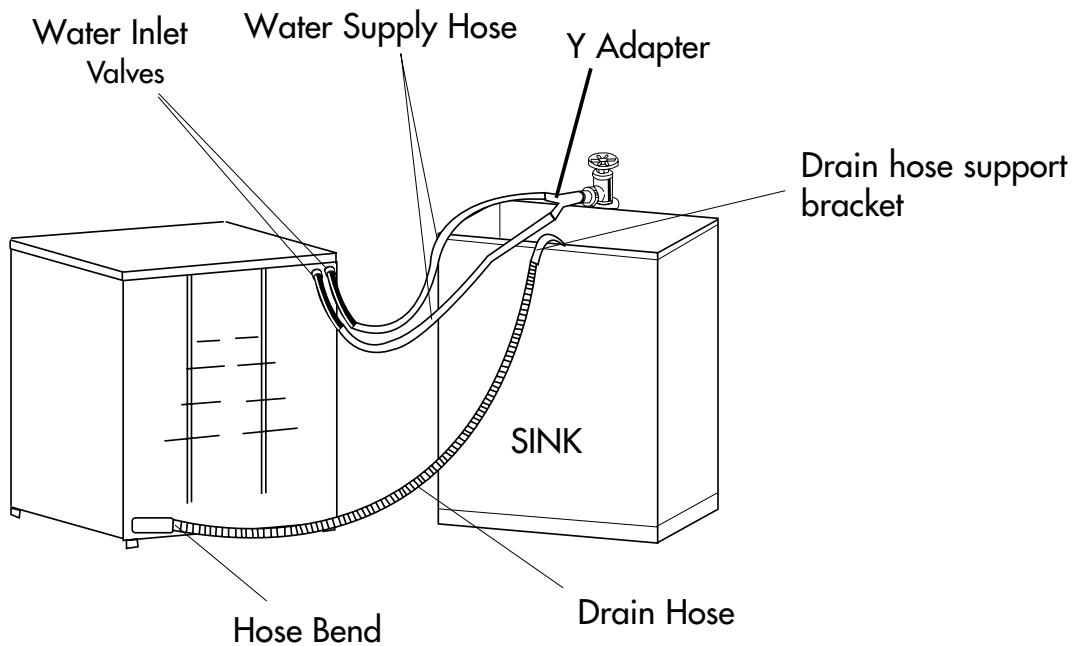
Caution: Water drainage hose must not be immersed in water. The original and extension hoses should be tightly connected.

Power Supply

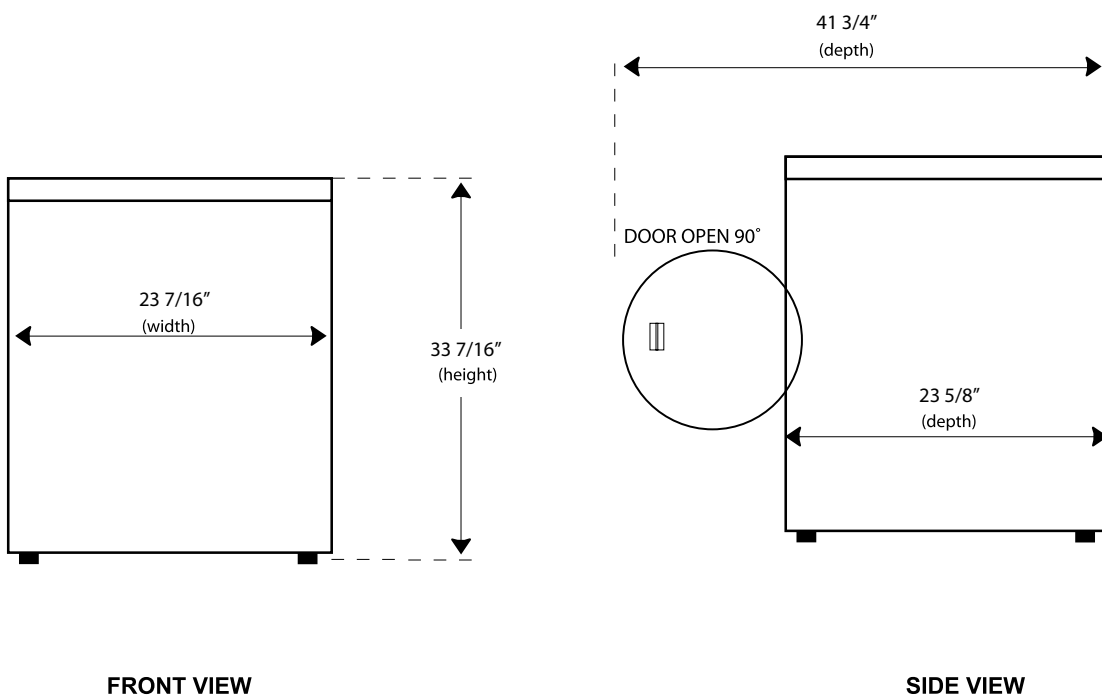
- Unit should be connected to a regular 120V~60 Hz 15A grounded outlet. Make sure local city codes are followed.

Y Adapter Connection

Note: "Y Adapter" shown in below figure is only for illustration. It is not provided in the box as an accessory. If you need to utilize this type of hookup, you can purchase a "Y Adapter" from your nearest hardware store.



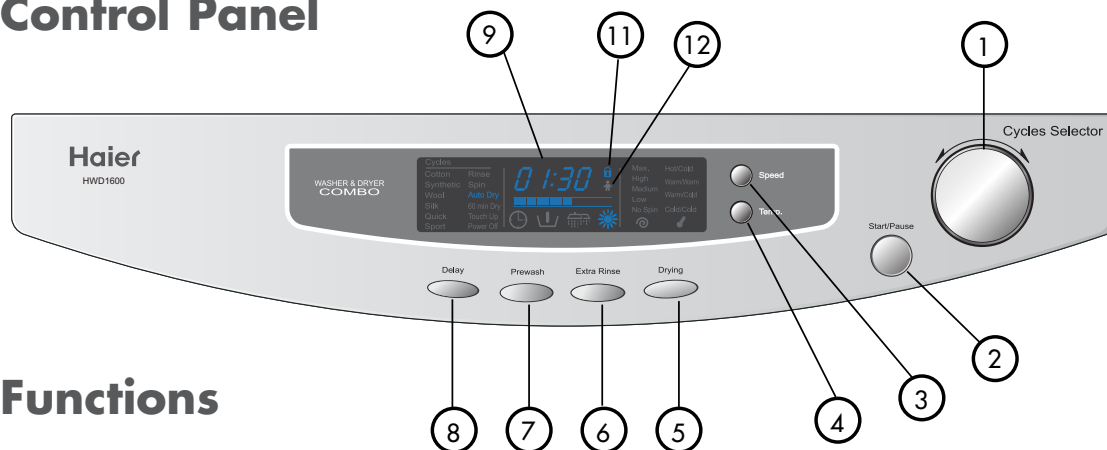
Unit Dimensions



OPERATIONAL INSTRUCTIONS

Warning - To reduce the risk of fire, electric shock, or injury to persons, read the IMPORTANT SAFETY INSTRUCTIONS before operating this appliance.

Control Panel



Functions

1. Cycle Selector

To set a desired wash program, turning the knob will light the cycle selected on the control panel. Wash cycles are: Cotton, Synthetic, Wool, Silk, Quick & Sport. Once selected you could press the "Start/Pause" button to start operation.

2. Start/Pause Button

After a cycle, options, spin speed, temperature and dry cycle is selected, press this button to begin wash. During a wash cycle, press this button to pause operation. Press again to resume operation. If dry cycle is selected, the wash load will go into drying program after the wash is done.

3. Spin Speed Selection

By pressing this button, the required spinning speed can be selected. You could choose from Max; High; Medium; Low to No Spin.

The maximum speed will vary when a different program is selected.

4. Temperature Button

Press button to select wash/rinse temperature. Selection choice is hot/cold; warm/warm; warm/cold; cold/cold. The wash/rinse temperature will vary when a different program is selected.

5. Drying Button

To start the dry cycle immediately after the wash cycle, press this button. An indicator will light up showing its activation. When the unit goes in the dry mode the light will flash. To cancel the program press the Start/Pause button before the cycle is complete. Pressing Drying button again will cancel the dry program and turn off the light.

NOTE: Drying cycle is not available in all wash cycles.

6. Extra Rinse Button

Press this button to add an additional rinse cycle to your wash load. A light on the display screen will alert you that the option has been activated. Before the wash cycle goes in the softening mode an additional rinse cycle will be added.

7. Prewash

Press this button to activate the Pre-Wash cycle. The indicator light will light up. Once the wash cycle starts it will first go in the Pre-wash mode and then in the regular wash cycle. During this time the Pre-Wash display light will blink and water will inflow in the 1st compartment of the detergent dispenser. At the end of the cycle the display light will turn off.

8. Delay Start

To select, press the "Delay" function button. The wash cycle will begin at a later time of your choosing. The cycle start will be delayed by 1 hour each time you press the button, to a maximum of 24 hours. After the display shows 24:00, pressing the button one more time will make the display show 00:00. Now you can cancel the delay function without powering off the combo. When selected, the delay icon will light up and will only shut off when the cycle commences. The display shows delay time in hours. Once the selected delay time is reached the machine will START.

9. LCD Display

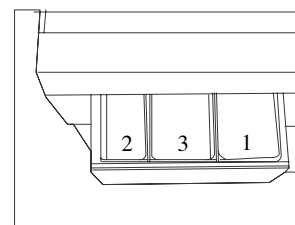
Shows wash cycle chosen, dry cycle chosen, remaining wash/dry or delay time, spin speed and temperature selection. Indicator light showing delay, prewash, extra rinse of drying will also be displayed. Door lock and child lock functions will be lit when activated.

10. Detergent Distributor

If prewash cycle is chosen, add detergent in the 1st compartment.

Regular washing detergent is to be filled in the 2nd compartment.

Fabric softener if used should be filled in compartment 3



11. Door Light

A lock light will illuminate when the door is locked.

12. Child Lock Indicators

When child lock is activated this indicator will light up. Once the combo is running, press "Delay" and "Start/Pause" at the same time for 3 seconds. This will activate the feature. The LCD display will show "Safe On". Now the selected cycles cannot accidentally be changed by anyone. To cancel press the "Delay" and the "Start/Pause" again for 3 seconds.



OPERATIONAL SELECTION

Power Supply	<ul style="list-style-type: none"> • 120V/60Hz/15Ams.
Water Supply	<ul style="list-style-type: none"> • Turn on the tap and ensure the water flow. <p>Caution: Before starting the washing machine turn on the water faucet to ensure that the water faucet and the water inlet hose are connected and do not leak.</p>
Detergent Selection	<ul style="list-style-type: none"> • The washing result depends on the quality of the detergent except the function performances of the washing machine. There are many brands of detergent in the market. For the best washing result, we suggest you use the detergent that produced less suds for the auto drum washing machines. • Read detergent manufacturers instructions for the correct detergent and amount to use. <p>Attention: Put only enough detergent for one load of laundry into dispenser at a time.</p>
Laundry Treatment	<ul style="list-style-type: none"> • Sort out clothes according to type and extent of dirt. There are three types of clothes: cotton, synthetic and woolen (silk) fabrics. • Separate white clothes from colors. • Remove all objects from pockets that may cause damage to the machine, such as keys and coins. • Repair damaged clothing, loose buttons or damaged zippers before washing. • Bed sheets and table cloths should be loosely loaded and not folded. • This washing machine is for household use and designed to mechanically wash clothes.

Type	Cottons	Synthetic	Wool/Silk	Blending	Dry
Max Load	13.2 lbs	6.6 lbs	3.3 lbs	6.6 lbs	6.6 lbs

PROGRAM SELECTION

Program Name	Option	Suitable Condition	Load (lbs) below	Program Time
cotton	wash	cotton clothes washing	13.22	1:30
	wash+dry	cotton clothes washing	6.6	3:30
synthetic	wash	synthetic clothes washing	6.6	0:58
	wash+dry	synthetic clothes washing	6.6	2:58
wool	wash	wool clothes washing	3.3	0:50
silk	wash	silk clothes washing	3.3	0:50
quick	wash	for not very dirty clothes	6.6	0:29
sport	wash	for sports clothes	6.6	0:25
rinse	/	/	/	0:22
spin	/	/	/	0:09
AUTO Dry	dry	cotton or synthetic	6.6	2:00
60 min Dry	dry	cotton or synthetic	6.6	1:00
Touch Up	dry	/		0:30
Power off		/		

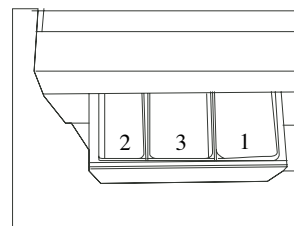
Loading

- Load each item loosely.
- Separate the white and colored clothes. Separate heavy clothes from light clothes.
- Carefully check all pockets and cuffs for small items. They can easily slide into the tub and damage the tub.
- Pre-treat all stains and heavily soiled areas for best results.
- Do not overload your washer.
- Close the door properly after loading clothes.

Proper Use of Dispenser

The detergent/softener dispenser is located on the upper left corner of the washer. Open the dispenser by pulling it out. You will see that there are three compartments.

1. Prewashing Detergent
2. Detergent
3. Softening Agent



Proper Use of Fabric Softener:

- Pour liquid fabric softener into compartment as recommended by the manufacturer.
- Do not exceed the level in the compartment to avoid overflow.

Warning:

- Never pour fabric softener directly onto clothes because it will stain your clothes or you may get spots on your clothes.
- Do not use powder form of softener into dispenser, or it will clog up the dispenser. This dispenser is only designed for liquid form.

Proper Use of Detergent:

When pre-wash cycle is selected do not use liquid detergent.

Low-Sudsing detergent is recommended for front load style washers. This type of detergent prevents damage to your washing machine, which may be caused by excess amount of suds entering the condensing compartment.

Note: You can use less or more detergent depending on the size of the load, water type in your area whether it is soft or hard and whether the clothes are heavily soiled or lightly soiled. Besides the performance of the washing machine, the quality of the detergent also effects the washing result. Do not use liquid detergent in compartments 1 and 2.

WASHING METHODS

Using Your Washer

Turning the "Cycle Selector" dial will allow you to select a wash cycle. The selected cycle will be illuminated on the control panel. The spin speed and the wash/rinse temperature are preset for each of the cycles. Now you could select the "Drying" program and press the "Start/Pause" button to start the wash.

If after selecting the cycle you want to change the spin speed and the wash/rinse temperature you could manually change the settings by pressing the "Speed" and "Temperature" buttons. You could also select other options such as "Prewash" and "Extra Rinse" at this time. An icon will be lit on the control panel showing your selections.

There are 3 drying selections. Auto dry, Time Dry (60 min) or Touch up can be selected before starting the wash. Touch up cycle is chosen to remove wrinkles that are set in clothes that have been in the closet for a long time. This is a 30 minute dry cycle.

After all your selections are chosen either press "Start/Pause" button to start the cycle or press "delay" button to start the wash at a later time. Each press of this feature will delay the start of the wash in 1 hour time increments.

NOTE: To allow clothes to tumble in the dry cycle, the drum should only be half full.

ADDITIONAL INFORMATION

WARNING: To reduce the risk of fire, do not dry items containing foam rubber or similarly textured rubber-like materials.

Tips

- Adding the softener agent can help the laundry to get rid of the static electricity and make the clothes feel soft and easy to iron.

Energy and Water Saving During Wash Process

1. Collect clothes for one full wash load.
2. Do not overload the washing machine.
3. Prewash heavily soiled clothes.
4. Choose Quick cycle for lightly soiled clothes.
5. Choose a proper spin speed.
6. Do not use more detergent than required.
7. Softening agent makes clothes feel softer and easier to iron.

Other Functions

Power-off memory function:

This machine has a power-off memory function. In case of abrupt power failure or if the power must be cut off during a program cycle, the present settings will be saved, and operation will resume when the power is switched on again.

Normal Operating Sounds

The following sounds are normally heard during the operation of the washer:

- **Tumbling sounds:** This is normal as the heavy wet clothes in the washer are continuously being tossed around.
- **Air rushing noise:** This happens when the washer tub spins at a very high RPM.
- **Wash and rinse cycles going on and off will also make clicking sounds.**

CARE AND CLEANING GUIDE

Warning: Always unplug your appliance to avoid electric shock before cleaning. Ignoring this warning may result in death or injury. Before using cleaning products, always read and follow manufacturer's instructions and warnings to avoid personal injury or product damage.

Cleaning and Maintenance

Use a damp or sudsy cloth for cleaning control panel.

- To avoid any kind of damage to cabinet finish, wipe appliance cabinet as needed. If you spill liquid/powdered softener, bleach or detergent on the cabinet, wipe cabinet immediately because it can damage the finish.
- Do not use any abrasive, harsh chemicals, ammonia, chlorine bleach, concentrated detergent, solvents or metal scouring pads. Some of these chemicals may dissolve, damage and/or discolor your appliance.
- Remove pins or other sharp objects from clothes to prevent scratching interior parts.
- The Detergent Dispenser Compartment has a removable insert. Over time, this compartment may accumulate dried detergent, dirt and debris. You must remove the insert, then rinse in a sink or remove debris with a soft brush.

Cleaning the Filter (once every month)

This filter is used to trap buttons, coins, or other loose objects that may be forgotten in pockets of clothing.

Push out the bottom cover with one hand as shown in Fig. 1. Remove the filter by turning counterclockwise as shown in Fig. 2. Flush clean with running water. Replace the filter by turning clockwise and remount the cover in Fig. 3.

Note: It is recommend to use a shallow pan or place a towel below the filter when cleaning as there will be water being dispensed.

Caution: Attention must be paid to ensure that the filter is replaced correctly to avoid possible leakage.

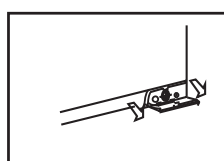


Fig1

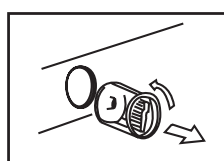


Fig2

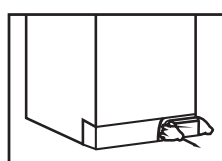
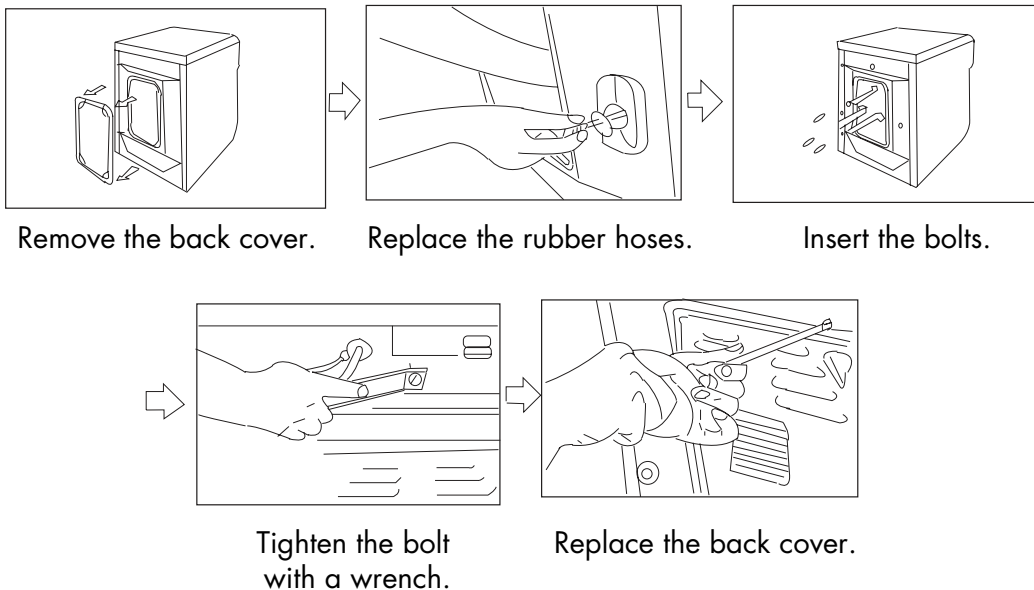


Fig3

Moving & Vacationing

- Turn off water supply faucets and disconnect hoses. Drain water from all hoses. This will prevent from damaging due to water leakage if the hoses accidentally get ruptured or they become loose.
- Unplug the electrical cord from the wall outlet.
- Dry inner wash tub. If moving washer, disconnect drain hose.
- Turn the leveling legs clockwise all the way in.
- To prevent mold or mildew, leave door open so moisture inside machine can evaporate.
- Reinstall the transportation bolts and the rubber hoses in the back to prevent internal parts from shaking when appliance is moved to another location.
- If the machine is to be moved to a distant location, replace the transportation bolts and the rubber hoses which were removed during installation as shown below.



Storage of Your Appliance in Cold Environment

- This appliance must be stored at room temperature.
- If you just got delivery of this appliance when outside temperature is below freezing, do not operate until this appliance has warmed to room temperature.
- Do not install or operate this appliance in the area where room temperature is below freezing.

WARNING CODES

Warning code	Problem	Reason	Action to take	Solution
Err1	Door Lock	Can not lock the door after 20s	Warning and stop running	Need Service
Err2	Pump	The water can not drain the setwater level within 4 minutes	Warning and stop running	Clear the pump
				Need Service
Err5	Water supply	The water level can not reach the setting water level within 8 minutes.	Warning and stop running	Check if the water pressure is low or stops supplying
				Need Service
Err7	Motor	The feedback signal does not change in 8 minutes while the motor is running.	Warning and stop running	Need Service
Err8	Water supply	The water is above the warning level	Warning and stop running	Need Service
Err9	The dry temperature sensor	Dryer sensor circuit problem	Warning and stop running	Need Service
Er10	Water level sensor	Water level sensor circuit problem	Warning and stop running	Need Service
Er12	Water level is abnormal in the drying process	The water is above the setting water level during the drying process	Warning and stop running	Check if the water outlet of the drainage is too high and adjust it, then restart the machine
Er13	the heating or the heating fan motor	the heating or the heating fan motor is abnormal	Warning and stop running	Need Service
Unb	Spin lopsidedly	Unbalanced	Spin low-speed and cancel drying	Disperse the clothing evenly in the tube

TROUBLESHOOTING

Washer does not operate:

- Check if unit is plugged in. The plug may have come loose.
- Check if the electrical wall outlet is of proper voltage.
- Check if the circuit breaker needs to be reset or if the fuse needs to be replaced.
- Check if the unit is in "Off" or "Pause" mode.
- Check if the washer is overloaded: load may need to be re-balanced and clothes may need to be redistributed.
- Check if the door is open. You may have to close the door properly.

Problems with water:

- Not enough water coming out: Water faucet may need to be turned on fully. Water hoses may be tangled up or wrinkled up. Straighten up hoses.
- Water temperature is incorrect: Check your water heater temperature. Hot water needs to be at a temperature at least 120°F -140°F (49°C – 60°C). Check to make sure the inlet hoses are properly connected. (e.g. hot to hot & cold to cold)
- Water leaks: This is due to not properly installing drain hose or fill hoses. Your home drain may be clogged or having constant water pressure. You may need to tighten hoses; check the plumbing or call a plumber.
- Water will not drain: This is due to not installing your drain hose properly. You may need to connect the drain hose properly. Check the position of the drain hose. In order to drain properly, make sure that top of drain outlet is less than 2'6" above the floor.

Washer is making noise:

- Washer may need to be reinstalled. (Check washer installation section.)
- Washer load may need to be re-balanced, as the load may be uneven.
- Coins, loose change, buttons or other heavy objects could make noise (read Operating Guide – Normal Operating Sounds).
- Squealing Sound: Due to overloaded wash tub.
- Vibration Noise: Due to not leveling washer properly on the floor and uneven distribution of clothes in the tub.

Problems with clothes:

- Clothes are too wrinkled: This is due to improper sorting, overloading and washing in too hot water repeatedly. Avoid overloading and resort your load. Do not mix heavy clothes such as work clothes with light clothes such as blouses, light shirts and delicate items. You may need to wash in warm or cold water.
- Soap residue: Detergent may not be dissolving in water. Check water temperature. Use less detergent.

- Spots or stains on your clothes: This is due to incorrect use of fabric softener. You may need to read proper instructions on the detergent container and follow proper directions for using the softener.
- Clothes are grayed or yellowed: This is due to not pouring enough detergent for large loads. You may have to add more detergent to the load.
- Clothes are ripped & have holes/excessive wear & tear: This is due to sharp objects such as pins and belt buckles left in pockets. You will need to remove small loose sharp objects. Fasten belts, zippers, metal snaps etc.

Dryer does not operate:

- Check if unit is unplugged. The plug may have come loose.
- Check if the circuit breaker needs to be reset or if the fuse needs to be replaced.
- Check if the dry cycle is chosen.
- Check if the door is open.

Dryer is working but not drying the clothes:

- **Unit may be over loaded. The dryer drum should only be half full during the dry cycle. This is to allow clothes to tumble.**
- Check if button trap is clean and dust free.
- Dryer load needs to be resorted. Heavy clothes may need to be separated from regular clothes.
- Bulky clothes may require repositioning.
- If clothes dry unevenly, clothes in the dryer may need to be resorted.

Dryer making noise when drying:

- Coins, loose change, buttons and other heavy objects could make noise.
- Unit may need to be leveled evenly. Read Operating Guide-Normal Operating Sounds.

Static:

- Caused by over drying. Adjust for shorter drying time.
- Mix with synthetic fabric. Sort and separate different fabrics.
- Use a fabric softener.

TECHNICAL SPECIFICATION

HWD1600	
Power Supply	120VAC 60Hz
Max working current(A)	12
Water pressure(PSI)	0.05~1MPa
Washing power(W)	230
Spinning power(W)	290
Spinning speed(RPM)	1000
Size (High,Depth,Width)	33-7/16" x 23-5/8" x 23-7/16"
Weight (lbs)	Net: 196 Gross: 209
Wash Capacity (IEC)	1.8 cu. ft.

LIMITED WARRANTY

In Home Service

Full ONE Year Warranty

For 12 months from the date of original retail purchase, Haier will repair or replace any part free of charge including labor that fails due to a defect in materials or workmanship.

Limited Warranty

After one year from the original retail purchase date, Haier will provide a part at no cost, as indicated below, to replace said part as a result of a defect in materials or workmanship. Haier is solely responsible for the cost of the part. All other costs such as labor, trip charge, etc are the responsibility of the owner.

Second through Fifth Year

Haier will provide the cabinet assembly should the cabinet rust through.

Second through Tenth Year

Haier will provide the inner stainless steel wash tub.

NOTE: This warranty commences on the date the item was purchased and the original purchase receipt must be presented to the authorized service representative before warranty repairs are rendered.

Exceptions: Commercial or Rental Use Warranty

90 days labor from date of original purchase
90 days parts from date of original purchase
No other warranty applies

For Warranty Service

Contact your nearest authorized service center. All service must be performed by a Haier authorized service center. For the name and telephone number of the nearest authorized service center please call 1-877-337-3639.

Before calling please have available the following information:

Model number and serial number of your appliance. The name and address of the dealer you purchased the unit from and the date of purchase. A clear description of the problem. A proof of purchase (sales receipt).

This warranty covers appliances within the continental United States, Puerto Rico and Canada. What is

not covered by this warranty:

Replacement or repair of household fuses, circuit breakers, wiring or plumbing.
A product whose original serial number has been removed or altered.
Any service charges not specifically identified as normal such as normal service area or hours.
Damage to clothing.
Damage incurred in shipping.
Damage caused by improper installation or maintenance.
Damage from misuse, abuse accident, fire, flood, or acts of nature.
Damage from service other than an authorized Haier dealer or service center.
Damage from incorrect electrical current, voltage or supply.
Damage resulting from any product modification, alteration or adjustment not authorized by Haier.
Adjustment of consumer operated controls as identified in the owners manual.
Hoses, knobs, lint trays and all attachments, accessories and disposable parts.
Labor, service transportation, and shipping charges for the removal and replacement of defective parts beyond the initial 12-month period.
Damage from other than normal household use.
Any transportation and shipping charges.

THIS LIMITED WARRANTY IS GIVEN IN LIEU OF ALL OTHER WARRANTIES, EXPRESSED OR, INCLUDING THE WARRANTIES OF MERCHANTABILITY AND FITNESS FOR A PARTICULAR PURPOSE

The remedy provided in this warranty is exclusive and is granted in lieu of all other remedies.

This warranty does not cover incidental or consequential damages, so the above limitations may not apply to you. Some states do not allow limitations on how long an implied warranty lasts, so the above limitations may not apply to you.

This warranty gives you specific legal rights, and you may have other rights, which vary, from state to state.

Haier America
New York, NY 10018

INSTRUCTIONS DE MESURE DE SECURITE IMPORTANTES

Avertissements: Pour reduire le risque d'une incendie, d'un choc electrique, ou des blessures personnelles avant d'utiliser votre appareil, suivez les precautions fondamentales y compris les suivants:

1. Lisez toutes les instructions avant d'utiliser votre appareil
2. Utilisez cet appareil seulement pour son but projete comme decrit dans ce guide d'usage et d'entretiens
3. Utilisez les detergents et adoucissants recommandes et gardez les hors de la portee des enfants.
4. Cet appareil doit etre installe proprement en accordance avec les instructions d'installation avant d'etre utilise.
5. Ne debranchez jamais votre appareil en tirant sur la corde d'alimentation. Saisissez la fermement et retirez la de la sortie murale.
6. Remplacez immediatement les cordes d'alimentations completement usees, les prises et les sorties murales delachees.
7. Debranchez votre appareil avant de le nettoyer ou avant de le reparer.
8. Si votre vieil appareil n'est plus utilise, on recommande que vous retirez la porte. Ceci reduira la possibilite des dangers aux enfants.
9. N'operez pas votre appareil dans la presence des fumees explosives.
10. N'utilisez pas cet appareil si vos vetements etaient trempes ou laves dans un essence, des dissolvants utilises pour le nettoyage a sec ou n'importe quels autres substances explosives et inflammables qui pourront s'allumer et exploser.
11. Les vetements ou chiffons utilises pour nettoyer des materiaux inflammables ou explosifs ne doivent pas etre laves dans cet appareil jusqu'a ce que toute trace de ces materiaux a ete nettoye.
12. N'ajoutez pas des melanges inflammables ou des substances explosives au lavage.
13. N'operez pas votre appareil s'il y a des parties manquees ou cassees.
14. N'utilisez pas cet appareil pour laver des vetements commerciaux.
15. N'utilisez pas cet appareil a moins que tous les panneaux de cloture sont convenablement en place .
16. N'alterez pas les commandes.
17. Pour reduire les risques de blessure, ne permettez pas aux enfants de jouer avec ou autour de l'appareil. Une proche supervisions des enfants est necessaire quand vous utilisez l'appareil pres d'eux.

18. Cet appareil doit être connecté correctement à une sortie électrique avec une provision électrique exacte.
19. Une propre mise à terre doit être assurée pour réduire le risque d'un incendie et d'un choc électrique. **NE COUPEZ PAS ET NE RETIREZ PAS LA PRISE DE MISE A TERRE.** Si vous n'avez pas une sortie murale à 3 broches, ayez un électricien certifié installer la prise convenable. La sortie murale doit être correctement mise à terre.
20. Le gaz d'hydrogène peut être produit si l'appareil de chauffage d'eau n'a pas été utilisé plus de 2 semaines. Ceci peut être explosif sous certaines conditions. Si c'est le cas, avant d'utiliser l'appareil, ouvrez tous les robinets et permettez à l'eau chaude d'écouler pour quelques minutes. Ceci permettra au hydrogène de s'échapper. Pendant ce processus, ne touchez aucun appareil électrique, n'allumez pas des allumettes, un briquet, ou utilisez une flamme pour éviter un accident comme le gaz hydrogène est inflammable et peut exploser.
21. Ne séchez pas des vêtements qui ont été précédemment lavés, nettoyés, trempés dans l'essence, dans des solvants pour le nettoyage à sec, ou autres substances inflammables ou explosives comme ils produisent des vapeurs qui pourront s'allumer et exploser.
22. Ne réparez pas et ne remplacez pas n'importe quelle partie de l'appareil et ne tentez pas de réparer à moins que ce soit recommandé en particulier dans les instructions de réparation dont vous comprenez et avez l'expérience d'exécuter.
23. N'utilisez pas le séchage chaud aux articles contenant la mousse en caoutchouc ou des matériaux de même texture que le caoutchouc.
24. Ne placez pas des articles exposés à l'huile de cuisson dans votre sécheuse. Les articles contaminés avec l'huile peuvent contribuer à une réaction chimique qui pourrait causer au chargement de s'allumer et causer un incendie.

GARDEZ CES INSTRUCTIONS

Note: Ces appareils ont un dispositif de verrouillage automatique. Veuillez attendre 3 minutes après l'arrêt de la machine avant d'ouvrir la porte.

DANGER

**Risque de suffocation et de confinement des enfants.
Avant de jeter vos vieux appareils électroménagers,
retirez la porte pour que les enfants ne puissent pas
grimper à l'intérieur facilement.**

Merci d'avoir choisi ce produit Haier. Ce guide facile à utiliser vous permettra d'utiliser votre appareil au maximum de ses capacités. N'oubliez pas de noter le modèle et le numéro de série. Ils sont sur une étiquette au dos de votre laveuse à chargement frontal & Sécheuse.

Numéro du modèle

Numéro de série

Date d'achat

Agrafez votre reçu à votre mode d'emploi. **Vous en aurez besoin pour faire valoir votre garantie.**

RACCORDEMENTS ELECTRIQUES

INSTRUCTIONS DE MISE À LA TERRE

Cet appareil doit être mis à la terre. En cas de court circuit, la mise à la terre réduit le risque de décharge électrique en fournissant une porte de sortie au courant électrique. Cet appareil est équipé d'un cordon avec une fiche de mise à la terre. Cette fiche doit être insérée dans une prise électrique qui est correctement installée et mise à la terre.

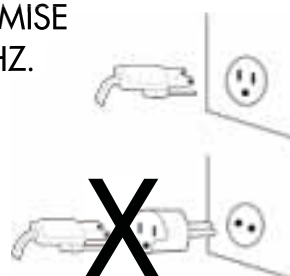


- Une mauvaise utilisation de la fiche polarisée peut résulter en un choc électrique.
- Contactez un électricien qualifié ou un réparateur agréé si les instructions de mise à la terre ne sont pas totalement comprises ou si vous avez un doute quant à la mise à la terre de cet appareil.

Exigences de câblage:

- Cet appareil doit être branché dans une PRISE MURALE MISE A LA TERRE d'au moins 15 AMPERES, 120 VOLTS, 60 HZ.

Note: Quand la prise murale est une prise à deux trous, il est de la responsabilité du client et son obligation de la faire remplacer avec une prise murale à 3 trous correctement mise à la terre.



Rallonges:

Nous ne recommandons pas l'utilisation de rallonges.



Coupures de courant

Occasionnellement il se peut qu'il y ait des coupures de courant dues à des orages ou autres. Retirez le cordon d'alimentation de la prise électrique. Lorsque le courant est rétabli rebranchez le cordon d'alimentation dans la prise électrique. En cas de coupure prolongée nettoyez l'appareil avant de le réutiliser. Pour plus de détails, voir « Autres fonctions » - « Power-off memory function » page 18.

TABLE DES MATIÈRES

SAFETY INSTRUCTIONS	1
RACCORDEMENTS ELECTRIQUES	4
Instructions de mise à la terre.....	4
PIÈCES ET CARACTÉRISTIQUES	6
Avant	6
Arrière	7
INSTRUCTIONS D'INSTALLATION	8
Outils et matériels nécessaires	8
Déballage de votre appareil	9
INSTALLATION	11
Alimentation	12
Dimensions de l'unité	12
INSTRUCTIONS D'UTILISATION	13
Tableau de commande	13
SÉLECTION DE FONCTIONNEMENT	15
SÉLECTION DU PROGRAMME	16
Chargement.....	17
Bonne utilisation du distributeur	17
MÉTHODES DE LAVAGE	18
INFORMATION ADITIONNELLE	18
Bruits de fonctionnement normal	19
NETTOYAGE ET ENTRETIEN	20
Nettoyage et maintenance	20
Déménagement et vacances	21
Entreposage de votre appareil dans un environnement froid	21
CODE D'AVERTISSEMENT	22
PROBLEMES ET SOLUTIONS	23
CARACTÉRISTIQUES TECHNIQUES	25
GARANTIE	26

PIÈCES ET CARACTÉRISTIQUES

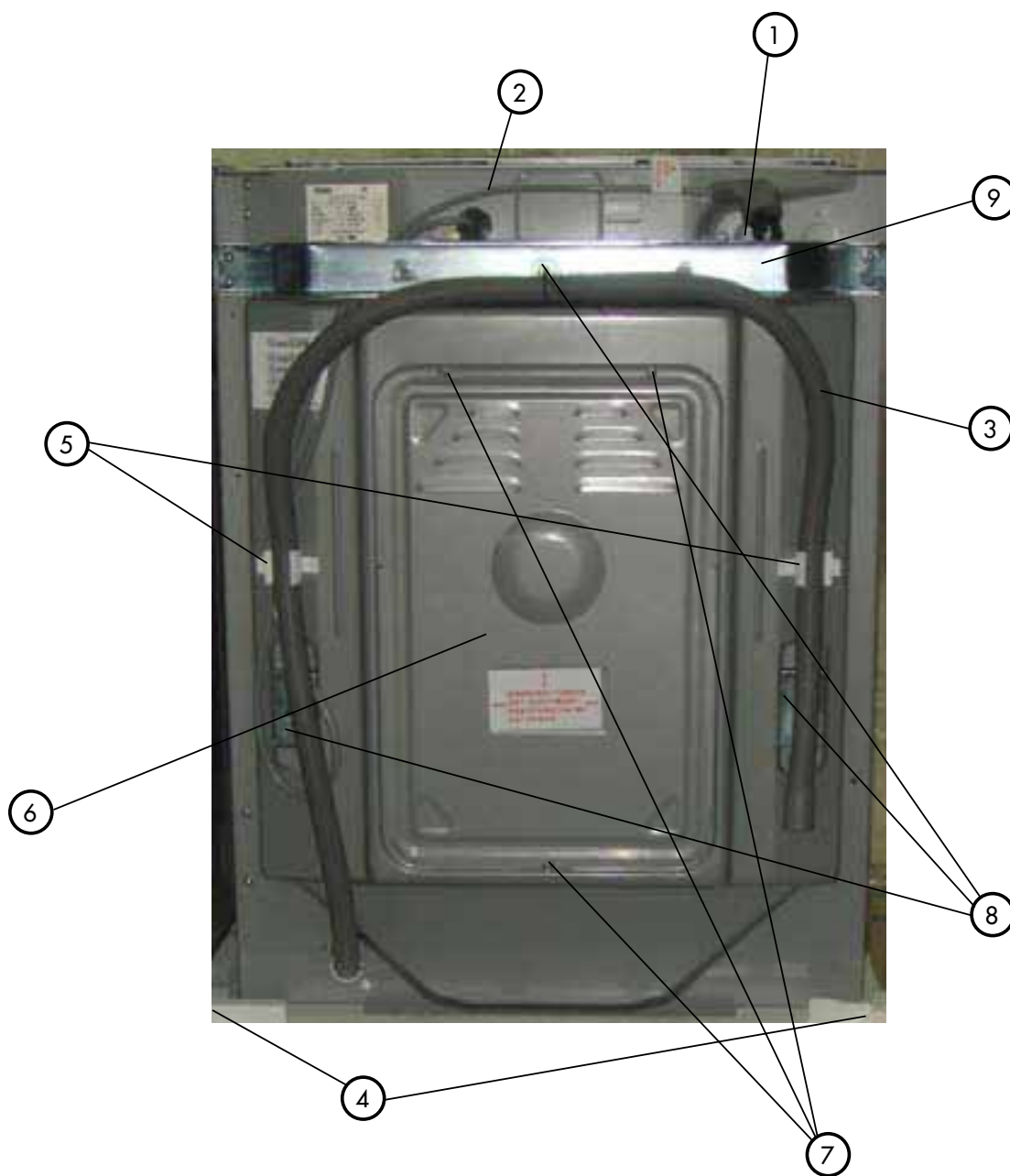
Avant



- | | |
|--|---|
| 1. Bouton de sélection du cycle | 8. Bouton de sélection de la vitesse d'essorage |
| 2. Bouton Start/Pause | 9. Bouton de sélection de la température |
| 3. Bouton de sélection du cycle de séchage | 10. Fenêtre de la porte en verre transparent |
| 4. Bouton de sélection de rinçage supplémentaire | 11. Bouton de trappe (non montré) |
| 5. Bouton fonction pré lavage | 12. Pieds réglables avant (non montrés) |
| 6. Bouton de départ différé | 13. Distributeur Détergent/Adoucissant |
| 7. Affichage du temps restant | 14. Couvercle retirable |

PIÈCES ET CARACTÉRISTIQUES

Arrière



- 1. Prises d'eau (Chaud/Froid)
- 2. Cordon d'alimentation (120V/60Hz, 15 Ampères)
- 3. Tuyau d'évacuation
- 4. Pieds réglables arrière (non montrés)

- 5. Colliers de serrage du tuyau de vidange (3)
- 6. Plaque arrière
- 7. Vis de la plaque arrière (3)
- 8. Boulons de transport (3)
- 9. Support en métal

INSTRUCTIONS D'INSTALLATION

⚠ Avertissement – Risque d'incendie

- L'installation du combi laveuse/sécheuse doit être faite par un installateur qualifié.
- Installez le combi selon les instructions du fabricant et les codes locaux.
- Afin de réduire le risque de blessure grave ou de mort, suivez toutes les instructions d'installation.
- Conservez ces instructions

Outils et matériels nécessaires

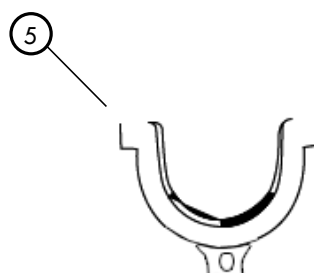
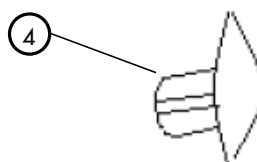
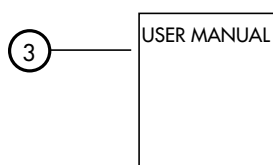
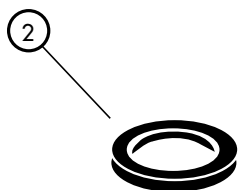
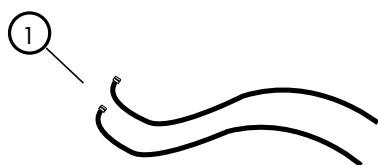
Vous aurez besoin des outils suivants pour vous aider à installer votre laveuse:

- Ciseaux
- Tournevis standard
- Pincettes
- Clé à molette
- Mètre à ruban
- Gants
- Niveau de menuisier

Accessoires fournis

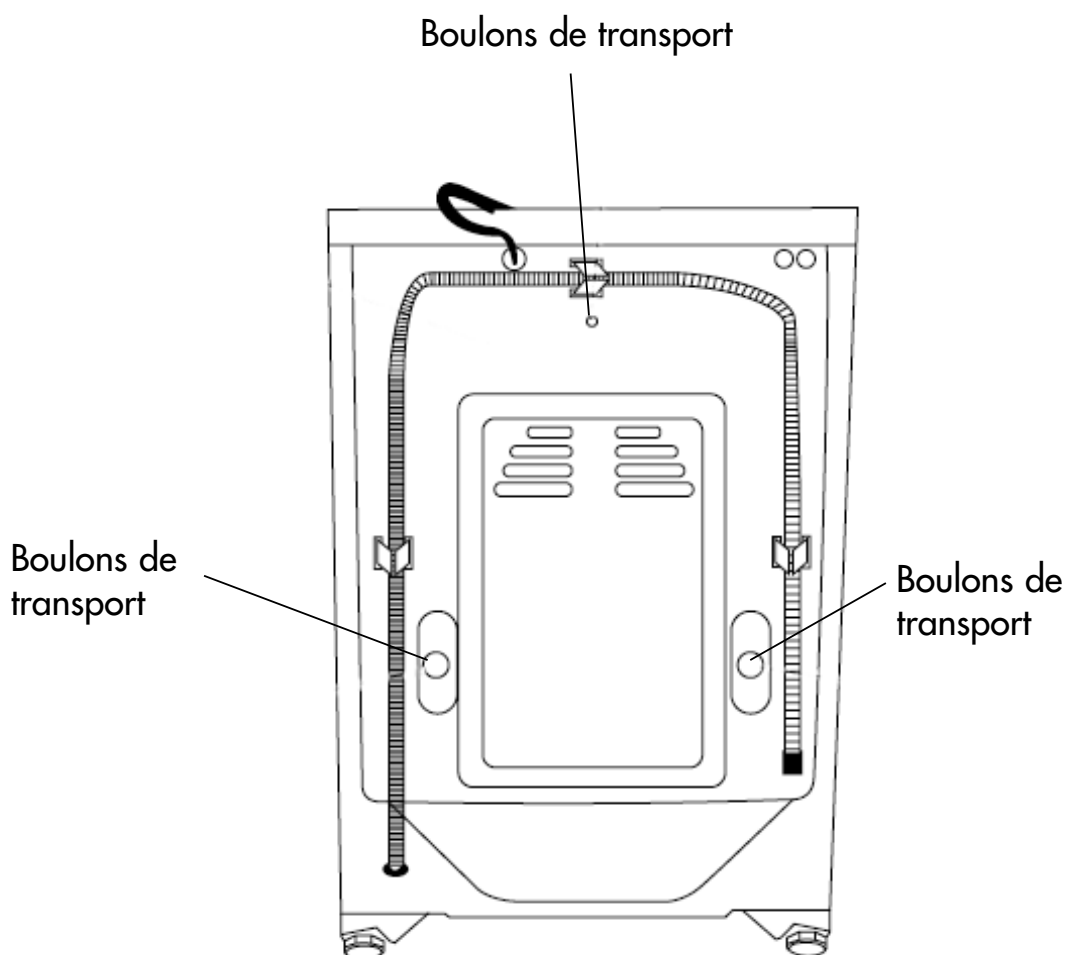
Quantité

1. Tuyaux d'arrivée d'eau chaude et froide	2
2. Joints des tuyaux plats d'arrivée d'eau (installés à chaque extrémité des tuyaux d'arrivée d'eau)	4
3. Guide d'utilisation et d'entretien (non montré)	1
4. Bouchons en plastique pour couvrir les trous des boulons de transport	3
5. Dispositif de support du tuyau de vidange	1



Déballage de votre appareil

- Retirez tous les matériaux d'emballage dont les boulons de transport.
- Vérifiez et retirez tous les restes d'emballage, adhésif ou documentation avant d'utiliser la laveuse.
- Les boulons de transport doivent être retirés avant d'utiliser la machine. Une fois retirés, conservez-les pour pouvoir les réinstaller pour protéger la machine durant le transport quand vous déménagez.
- Les tuyaux d'arrivée d'eau et les autres accessoires sont emballés et placés dans le tambour.



- Comme montré sur la figure 1, retirez tous les matériaux d'emballage (dont la mousse).

Après avoir ouvert l'emballage, il se peut que vous voyiez des gouttelettes d'eau sur le sac en plastique et le hublot. Des essais en eau sont effectués pour vérifier s'il y a des fuites.

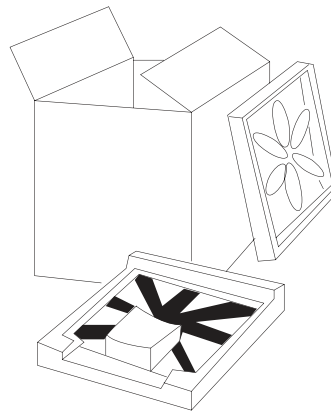


Fig. 1



- Retirez les trois boulons de transport comme montré sur la figure 2A. Les boulons protègent l'appareil des chocs pendant le transport. Les étapes suivantes doivent être suivies avant d'utiliser l'appareil:

1. Retirez la plaque arrière de la laveuse. Pour retirer la plaque vous devez retirer les vis retenant le panneau.
2. Vous pouvez maintenant retirer les boulons de transport. Quand vous retirez les trois boulons de l'arrière de la laveuse, retirez en même temps les tuyaux en caoutchouc qui sont derrière les boulons de transport à l'intérieur de l'appareil. Retirez le support en métal et conservez-le dans un lieu sûr pour pouvoir l'utiliser plus tard.
3. Réinstallez la plaque arrière.
4. Bouchez les trous laissés par les boulons avec les bouchons en plastique. (Attention : les boulons et le tuyau en caoutchouc doivent être gardés en lieu sûr pour un usage ultérieur.) Fig. 2B

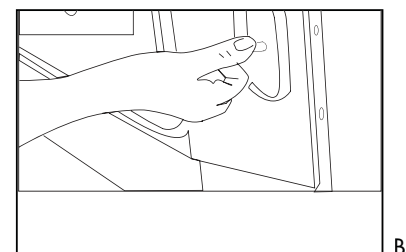
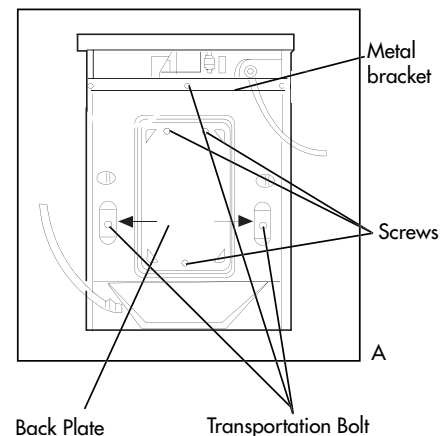


Fig. 2

- Mettre la laveuse à niveau : il y a des pieds réglables au bas de la laveuse. Avant d'utiliser la machine il faut l'ajuster comme montré sur la figure 3.
- Les pieds réglables peuvent être ajustés en les tournant dans le sens contraire des aiguilles d'une montre pour monter votre laveuse ou dans le sens des aiguilles d'une montre pour abaisser la laveuse.

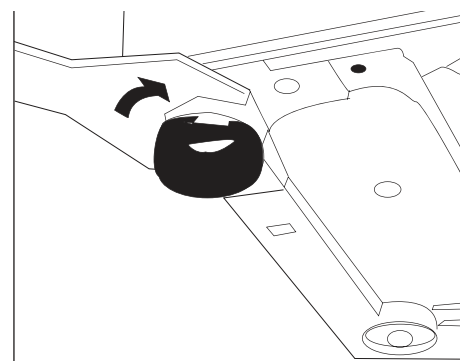


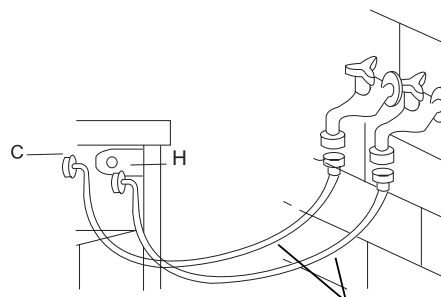
Fig. 3

INSTALLATION

Raccord du tuyau d'arrivée d'eau et de la laveuse

(Utilisez les groupes de tuyaux neufs, les vieux tuyaux ne doivent pas être réutilisés.)

- Raccordez le manchon du tuyau d'arrivée au robinet d'eau et assurez-vous de bien serrer.
- Raccordez le coude du tuyau d'arrivée à la valve et assurez-vous de bien serrer.



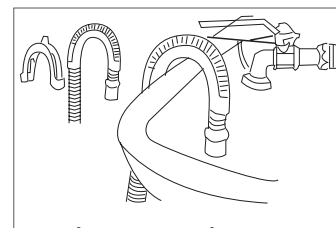
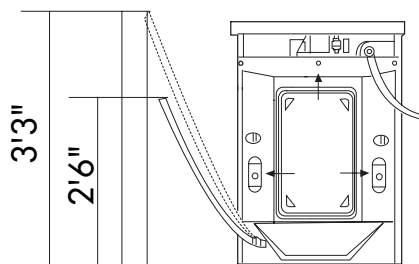
Tuyaux d'arrivée d'eau

- Note:**
- Assurez-vous que le tuyau d'arrivée d'eau FROIDE est raccordé à la valve pour eau froide (marquée « C »).
 - Assurez-vous que le tuyau d'arrivée d'eau CHAUDE est raccordé à la valve pour eau froide (marquée « H »).

Note: Un joint en caoutchouc doit être présent à l'intérieur de chaque extrémité des tuyaux d'arrivée. Serrer trop fort peut endommager la valve.

Tuyau d'évacuation d'eau

- La hauteur de la pipe pour le tuyau d'évacuation d'eau doit être comprise entre 2'6" pouces et 3'3" pouces (6,6 cm et 8,4 cm). Le tuyau d'évacuation d'eau doit être placé en sécurité sur la bride à l'arrière de la laveuse.
- Utilisez le support d'évacuation d'eau (Support) fourni en tant qu'accessoire pour une bonne installation. Si le tuyau d'évacuation d'eau a besoin d'être allongé, il ne doit pas être allongé à plus de 8'2" pouces soit 20,8 cm. (Allonger le tuyau peut résulter en une entrée d'eau et sortie d'eau concourantes.) Le diamètre du tuyau de rallonge doit être identique à celui du tuyau d'origine.



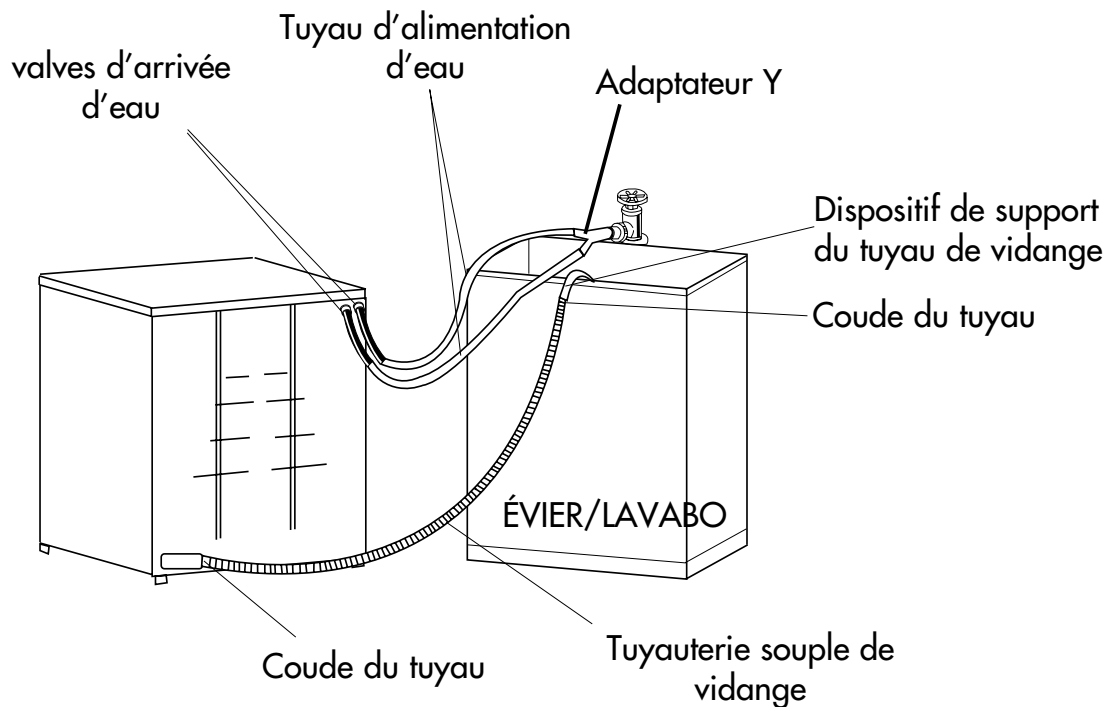
Attention: Le tuyau d'évacuation d'eau ne doit pas être immergé dans l'eau. Le tuyau d'origine et le tuyau de rallonge doivent être fermement raccordés.

Alimentation

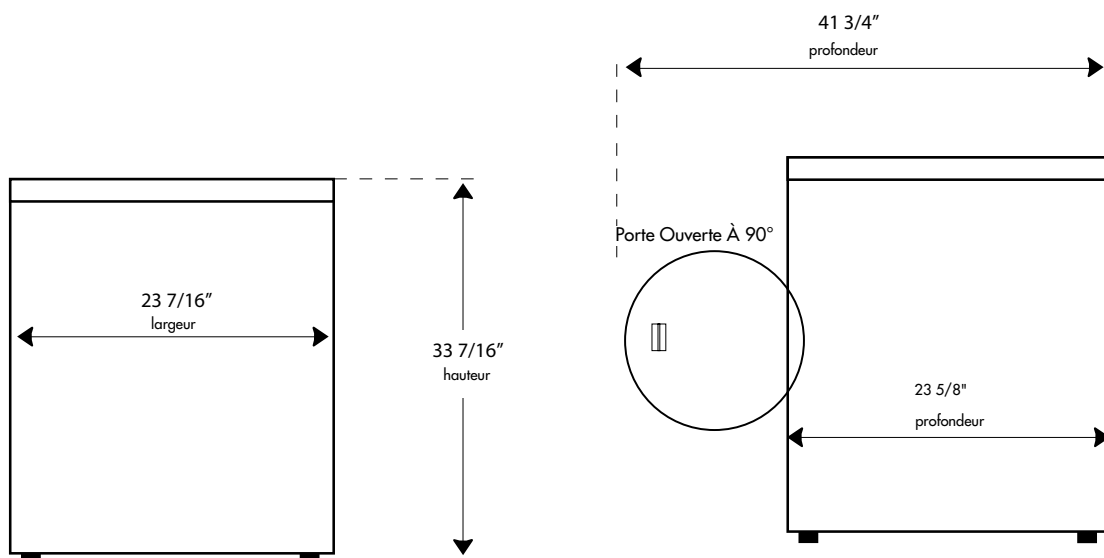
- L'appareil doit être raccordé à une prise murale standard de 120 volts, 60 Hz, 15 A. Assurez-vous que les codes locaux sont correctement respectés.

Raccordement adaptateur Y

Note: L'« Adaptateur Y » montré dans la figure ci-dessous est uniquement à but d'illustration. Il n'est pas fourni comme accessoire dans la boîte. Si vous avez besoin d'utiliser ce type de branchement, vous pouvez acheter un « Adaptateur Y » dans votre quincaillerie la plus proche.



Dimensions de l'unité



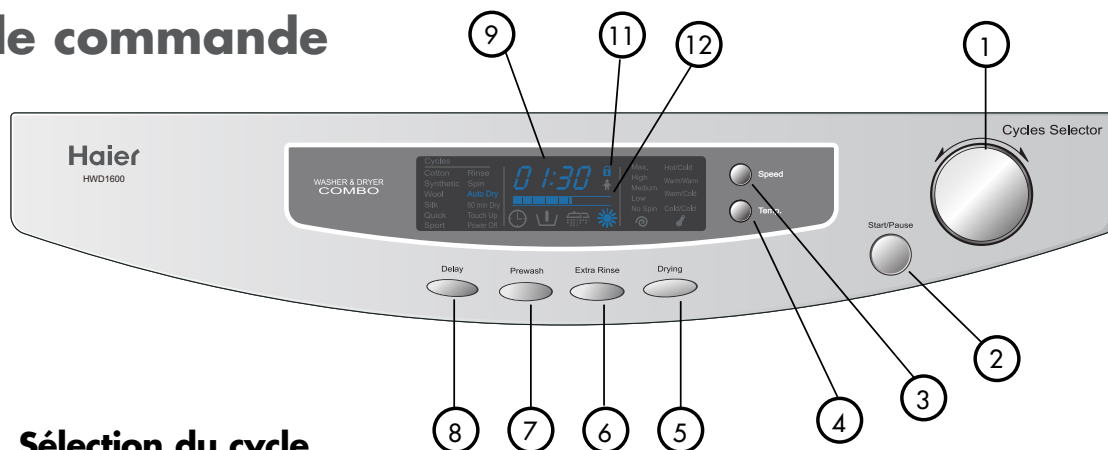
VUE AVANT

VUE LATÉRALE

INSTRUCTIONS D'UTILISATION

Avertissement - Afin de réduire les risques d'incendie, de choc électrique et de blessures corporelles, lisez les **CONSIGNES DE SÉCURITÉ IMPORTANTES** avant de faire fonctionner cet appareil.

Tableau de commande



1. Sélection du cycle

Pour régler le programme de lavage désiré, tourner le bouton allumera le voyant lumineux du cycle sélectionné sur le tableau de commande. Les cycles de lavage sont : Cotton, Synthetic, Wool, Silk, Quick & Sport/Coton, Synthétique, Laine, Soie, Rapide & Sport. Une fois sélectionné, vous pouvez appuyer sur le bouton "Start/Pause" pour commencer le fonctionnement.

2. Bouton Start/Pause

Après qu'un cycle, options, vitesse d'essorage, température et cycle de séchage sont sélectionnés, appuyez sur ce bouton pour commencer le lavage. Pendant un cycle de lavage, appuyez sur ce bouton pour mettre sur pause. Appuyez de nouveau sur ce bouton pour reprendre le programme. Si le cycle de séchage est sélectionné, le chargement dans la machine passera au programme de séchage après la fin du lavage.

3. Sélection de la vitesse d'essorage

En appuyant sur ce bouton la vitesse d'essorage nécessaire peut être sélectionnée. Vous pouvez choisir entre Max; High; Medium; Low ou No Spin soit Max, Fort, Moyen, Bas ou Pas d'essorage. La vitesse maximale variera quand un programme différent est sélectionné.

4. Bouton de la température

Appuyez sur ce bouton pour sélectionner la température de lavage/rinçage. La sélection est entre très chaud/froid; chaud/chaud; chaud/froid; froid/froid. La température de lavage/rinçage variera quand un programme différent est sélectionné.

5. Bouton de séchage

Pour commencer le cycle de séchage immédiatement après le cycle de lavage, appuyez sur ce bouton. Un voyant lumineux s'allumera pour montrer que le cycle est activé. Lorsque l'appareil va commencer le mode séchage, le voyant lumineux clignotera. Pour annuler le programme, appuyez sur le bouton Start/Pause avant la fin du cycle. Appuyer sur le bouton "Drying" encore une fois annulera le programme de séchage et éteindra le voyant lumineux.

NOTE : Le cycle de séchage n'est pas disponible dans tous les cycles de lavage.

6. Bouton extra rinçage

Appuyez sur ce bouton pour ajouter un cycle de rinçage supplémentaire à votre linge dans la machine. Un voyant lumineux s'allumera à l'écran d'affichage pour vous faire savoir que l'option a été activée. Avant que le cycle de lavage passe au mode adoucissant un rinçage supplémentaire sera ajouté.

7. Prélavage

Appuyez sur ce bouton pour activer le cycle de prélavage. Le voyant lumineux s'allumera. Une fois que le cycle commence il y aura d'abord le cycle prélavage et ensuite le cycle de lavage normal. Pendant ce temps, le voyant lumineux du prélavage s'allumera et l'eau circulera dans le premier compartiment du distributeur de détergent. À la fin du cycle le voyant lumineux s'éteindra.

8. Départ différé

Pour sélectionner le départ différé appuyez sur le bouton "Delay". Le cycle de lavage commencera plus tard, quand vous le souhaitez. Le début du cycle sera différé d'1 heure à chaque fois que vous appuyez sur le bouton pour un maximum de 24 heures. Une fois que l'écran affiche 24 heures, si vous appuyez encore une fois sur le bouton l'écran affichera 00:00. Vous pouvez maintenant annuler le départ différé sans éteindre l'appareil. Quand sélectionné, l'icône du départ différé s'allumera et ne s'éteindra que quand le cycle commencera. L'affichage montre le temps de départ différé en heures. Quand le moment du départ différé est arrivé la machine COMMENCERA.

9. Écran LCD

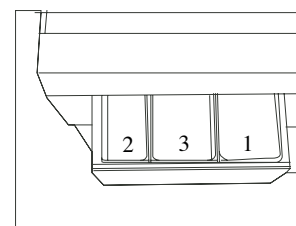
L'écran LCD montre le cycle de lavage choisi, le cycle de séchage choisi, le temps de lavage/séchage restant ou le départ différé, la vitesse d'essorage et la sélection de la température. Le voyant lumineux affichera également le départ différé, le prélavage, extra rinçage et le séchage. La fonction verrouillage de la porte et la fonction sécurité enfant s'allumeront quand activées.

10. Distributeur de détergent

Si le prélavage est sélectionné, ajoutez du détergent dans le 1er compartiment.

Le détergent de lavage normal doit être placé dans le deuxième compartiment.

Si un adoucissant est utilisé il doit être mis dans le compartiment 3.



11. Lumière de la porte

Un voyant lumineux de verrouillage s'allumera quand la porte est verrouillée.



12. Indicateurs du verrouillage enfant

Quand la fonction verrouillage enfant ce voyant lumineux s'allumera. Une fois que l'appareil est en marche, appuyez sur "Delay" et "Start/Pause" en même temps pendant 3 secondes. Cela activera cette fonction. L'écran LCD affichera "Safe On". Maintenant les cycles sélectionnés ne peuvent être changes accidentellement par personne. Pour annuler, appuyez de nouveau sur "Delay" et "Start/Pause" pendant 3 secondes.

SÉLECTION DE FONCTIONNEMENT

Alimentation	<ul style="list-style-type: none"> • 120V/60Hz/15A.
Alimentation en eau	<ul style="list-style-type: none"> • Ouvrez le robinet et assurez vous que l'eau coule. <p>Attention : Avant de mettre la laveuse en marche, tournez le robinet d'eau pour vous assurer que le robinet d'eau et le tuyau d'alimentation en eau sont reliés et ne fuient pas.</p>
Sélection du détergent	<ul style="list-style-type: none"> • Le résultat de lavage dépend de la qualité de détergent et des performances de fonctionnement de la laveuse. Il y a de nombreuses marques de détergent sur le marché. Pour les meilleurs résultats de lavage, nous vous suggérons d'utiliser le détergent qui produit le moins de mousse de savon pour le tambour automatique des laveuses. • Lisez les instructions du fabricant de détergent pour la bonne quantité de détergent à utiliser. <p>Attention : Mettez seulement suffisamment de détergent pour une machine à chaque fois.</p>
Traitement du linge	<ul style="list-style-type: none"> • Séparez les vêtements selon leur type et le degré de salissure. Il y a trois types de matières de vêtements: en coton, synthétique et laine (soie) • Séparez les vêtements blancs des autres couleurs. • Retirez tous les objets des poches qui peuvent causer des dommages à la machine, comme les clés et les pièces de monnaie. • Réparez les vêtements abimés, les boutons lâches ou les fermetures éclair abimées avant le lavage. • Les draps de lit et les serviettes de table ne doivent pas être pliés mais mis dans la machine étendus. • Cette laveuse est à usage domestique uniquement et est conçue pour laver les vêtements mécaniquement.

Type	Cotons	Synthétique	Laine/Soie	Mélange	Sec
Carga máxima	13,2 lb	6,6 lb	3,3 lb	6,6 lb	6,6 lb

SÉLECTION DU PROGRAMME

Nom du programme	Option	Condition appropriée	Poids ci-dessous	Durée du programme
Coton	Lavage	Lavage de vêtements en coton	13.22	1:30
	Lavage+Séchage	Lavage de vêtements en coton	6.6	3:30
Synthétique	Lavage	Lavage de vêtements synthétiques	6.6	0:58
	Lavage+Séchage	Lavage de vêtements synthétiques	6.6	2:58
Laine	Lavage	Lavage de vêtements en laine	3.3	0:50
Soie	Lavage	Lavage de vêtements en soie	3.3	0:50
Rapide	Lavage	not for very dirty clothes	6.6	0:29
Sport	Lavage	pour vêtements de sport	6.6	0:25
Rinçage	/	/	/	0:22
Essorage	/	/	/	0:09
Séchage auto	Séchage	coton ou synthétique	6.6	2:00
Séchage 60 min	Séchage	coton ou synthétique	6.6	1:00
Retouches		/		0:30
Arrêt		/		

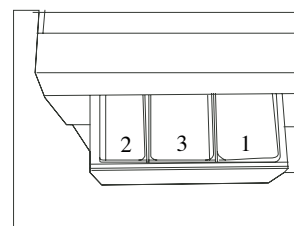
Chargement

- Placez chaque vêtement dans la machine séparément.
- Séparez les vêtements blancs des couleurs. Séparez les vêtements lourds des vêtements légers.
- Vérifiez attentivement toutes les poches et revers des vêtements pour vérifier qu'il n'y a pas d'objets oubliés. Ces objets peuvent facilement lisser dans le tube et endommager le tube.
- Pour obtenir de meilleurs résultats prétraitez les taches et les endroits très sales.
- Ne surchargez pas votre laveuse.
- Fermez la porte ou le couvercle supérieur correctement après avoir mis les vêtements dans la machine.

Bonne utilisation du distributeur

Le distributeur de détergent/adoucissant est situé sur le côté supérieur de la laveuse. Ouvrez le distributeur en tirant dessus vers vous. Vous verrez qu'il y a trois compartiments.

1. Détergent pré-lavage
2. Détergent
3. Agent adoucissant



Bonne utilisation de l'assouplissant:

- Versez le liquide assouplissant dans le compartiment comme recommandé par le fabricant.
- Ne dépassez pas le niveau du compartiment pour éviter les débordements..

- Avertissement:**
- Ne versez jamais de l'assouplissant directement sur les vêtements par ce que cela va tacher vos vêtements ou vous pouvez avoir des marques sur vos vêtements.
 - N'utilisez pas un assouplissant en poudre dans le distributeur car cela va boucher le distributeur. Le distributeur est uniquement conçu pour des liquides.

Bonne utilisation du détergent:

Lorsque le cycle de pré-lavage est sélectionné, n'utilisez pas de détergent liquide.

Un détergent peu savonneux est recommandé pour les laveuses à chargement frontal. Ce type de détergent empêche d'endommager votre laveuse, ce qui peut causer des quantités excessives de savon entrant dans le compartiment de condensation.

Note: La quantité de détergent dépend de la taille de ce que vous lavez, le type d'eau, dure ou douce, et si les vêtements sont très sales ou peu sales. En plus de la performance de la laveuse, la qualité du détergent affecte aussi le résultat du lavage. N'utilisez pas de détergent liquide dans les compartiments 1 et 2.

MÉTHODES DE LAVAGE

Utilisation de votre laveuse

Tournez le bouton "Cycle Selector" vous permettra de sélectionner le cycle de lavage. Le cycle sélectionné s'allumera sur le tableau de commande. La vitesse d'essorage et la température de lavage/rinçage sont présélectionnées pour chacun des cycles. Vous pouvez maintenant sélectionner le programme de séchage "Drying" et appuyer sur le bouton "Start/Pause" pour commencer le lavage.

Si après avoir sélectionné le cycle vous voulez changer la vitesse d'essorage et la température de lavage/rinçage vous pouvez le faire manuellement en changeant les réglages en appuyant sur les boutons "Speed" et "Temperature". Vous pouvez également sélectionner d'autres options telles que "Prewash" et "Extra Rinse". Un icône s'allumera sur le tableau de commande pour montrer vos sélections.

Il y a 3 sélections de séchage. Auto dry, Time Dry (60 min) ou Touch up/Séchage automatique, Séchage minuté (60 mn) ou Retouches peuvent être sélectionnées avant le commencement du lavage. Le cycle est choisi pour faire disparaître les plis qui sont encrés dans les vêtements qui sont restés dans la penderie pendant longtemps. C'est un cycle de séchage de 30 minutes.

Après avoir choisi toutes vos sélections appuyez soit sur le bouton "Start/Pause" pour commencer le cycle soit sur le bouton "Delay" pour commencer le lavage plus tard. À chaque fois que vous appuyez sur ce bouton cela retardera le départ de la machine d'1 heure.

NOTE: Pour permettre aux vêtements de tourner dans le cycle de séchage, le tambour ne doit être qu'à moitié plein.

INFORMATION ADITIONNELLE

AVERTISSEMENT: Pour réduire le risque d'une incendie, ne séchez pas des vêtements contenant du caoutchouc ou des matériaux similaires au caoutchouc.

Conseils

- En ajoutant l'adoucissant ceci aidera la lessive à ne pas avoir une électricité statique, rendra la lessive plus douce et plus facile à repasser.

Information supplémentaire

Économie d'énergie et d'eau durant le processus de lavage

1. Réunissez les vêtements pour un chargement complet de la machine.
2. Ne surchargez pas la machine.
3. Prélavez les vêtements très sales.
4. Choisissez le Quick cycle pour des vêtements qui ne sont que légèrement sales.
5. Choisissez la vitesse d'essorage adéquate.
6. N'utilisez pas plus de détergent que nécessaire.
7. L'assouplissant rend les vêtements doux et plus faciles à repasser.

Autres fonctions

Fonction mémoire « power-off »:

Cette machine possède la fonction mémoire « power-off ». En cas de brusque coupure de courant ou si le courant doit être coupé pendant un cycle de programme, les réglages actuels seront enregistrés et le lavage reprendra là où il s'est arrêté quand le courant est de retour.

Bruits de fonctionnement normal

Les bruits suivants sont des bruits de fonctionnement normal de la laveuse:

- Bruit de tambour. Ceci est normal car les vêtements mouillés et lourds sont continuellement en mouvement dans la laveuse.
- Bruit d'air. Cela se produit lorsque le tambour de la laveuse tourne très rapidement et que l'air passe très rapidement à travers le tambour de la laveuse.
- Les cycles de lavage et rinçage commençant et finissant font aussi un bruit de « click ».

NETTOYAGE ET ENTRETIEN

Avertissement: Débranchez toujours votre appareil avant le nettoyage pour éviter un choc électrique. Ignorer cet avertissement peut provoquer la mort ou des blessures. Avant d'utiliser des produits de nettoyage, lisez toujours les instructions du fabricant et suivez-les et lisez les avertissements pour éviter des blessures et d'endommager le produit.

Nettoyage et maintenance

Utilisez uniquement un chiffon humide ou savonneux pour nettoyer le tableau de commande.

- Afin d'éviter d'abîmer la carrosserie nettoyez la carrosserie de la laveuse aussi souvent que nécessaire. Si vous renversez de la lessive liquide/en poudre, de l'adoucissant ou de l'eau de javel sur la carrosserie nettoyez-la immédiatement car cela peut endommager les finitions.
- N'utilisez pas de produits abrasifs, produits chimiques très forts, de l'ammoniaque, de l'eau de javel, des détergents concentrés, des solvants ou des éponges en métal. Ils peuvent se dissoudre, endommager et/ou décolorer votre appareil.
- Retirez les épingles et autres objets tranchants des vêtements pour éviter de rayer les parois internes.
- Le compartiment du distributeur de détergent possède un encastrement amovible. Avec le temps, le compartiment peut accumuler du détergent séché, de la saleté et des débris. Vous devez retirer l'encastrement, le rincer dans l'évier et retirer les débris avec une brosse douce.

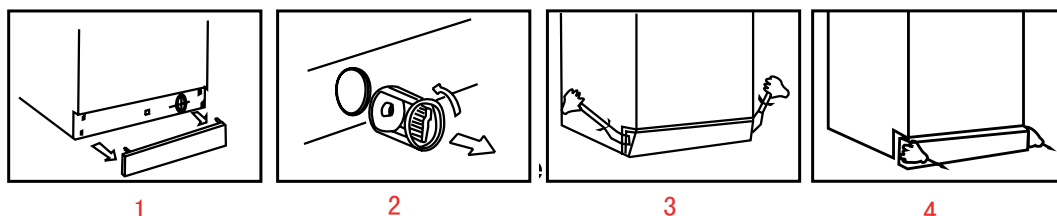
Nettoyage du filtre (une fois par mois)

Ce filtre est utilisé pour attraper les boutons, les pièces de monnaie ou d'autres objets qui ont pu être oubliés dans les poches des vêtements.

Tirez le couvercle inférieur vers vous des deux mains comme montré sur la Fig. 1. Retirez le filtre en tournant dans le sens contraire aux aiguilles d'une montre comme montré sur la Fig. 2. Curez à grande eau avec de l'eau courante. Remplacez le filtre en place en tournant dans le sens des aiguilles d'une montre et remettez le couvercle en place.

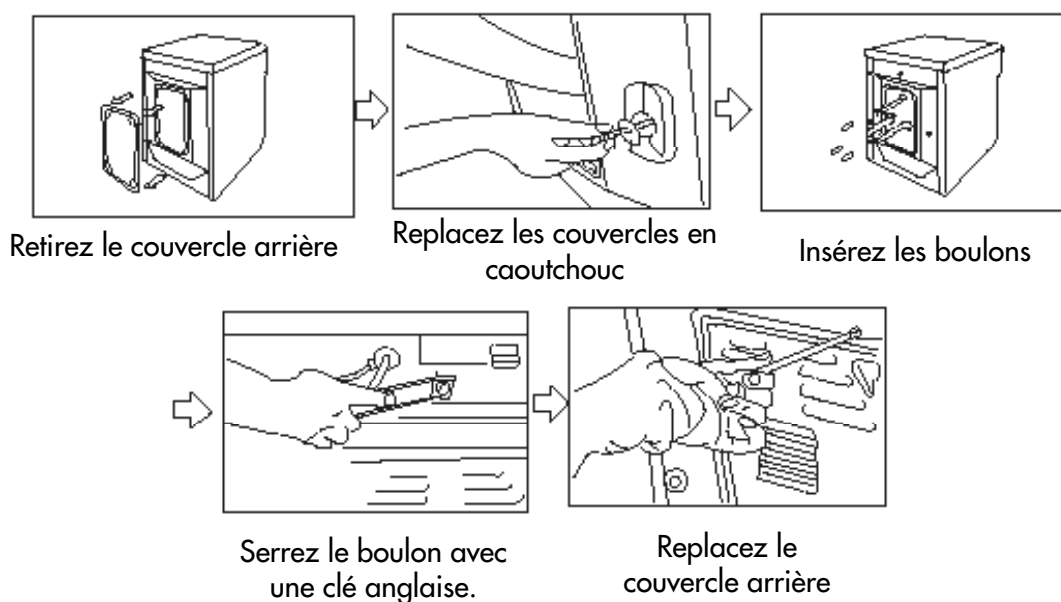
Note: Pendant le transport, le couvercle est fermement sécurisé à la carrosserie. Pour le retirer utilisez un tournevis à tête plate pour délicatement desserrer le couvercle et retirez-le à la main. (Fig. 3). Il est recommandé d'utiliser un bac concave ou de placer une serviette sous le filtre quand vous le nettoyez car de l'eau peut couler.

Attention: Assurez-vous que le filtre est remis correctement afin d'éviter une possible fuite.



Déménagement et vacances

- Fermez l'arrivée d'eau et déconnectez les tuyaux. Videz l'eau de tous les tuyaux. Cela empêchera la laveuse de s'abîmer à cause d'une fuite d'eau si les tuyaux se rompent accidentellement ou deviennent lâches.
- Débranchez la machine de la prise murale.
- Séchez la cuve de lavage. Si vous bougez la laveuse, débranchez le tuyau de vidange.
- Tournez complètement les pieds réglables dans le sens des aiguilles d'une montre.
- Afin d'éviter les moisissures laissez la porte ouverte pour que l'humidité à l'intérieur de la machine s'évapore.
- Réinstallez les boulons de transport et les couvercles en caoutchouc à l'arrière de l'appareil pour empêcher les pièces internes de secouer quand la machine est transportée dans un autre lieu.
- Si la machine doit être déplacée dans un autre lieu éloigné, remplacez les boulons de transport et les couvercles en caoutchouc qui ont été retirés pendant l'installation comme montré ci-dessous.



Entreposage de votre appareil dans un environnement froid

- Cet appareil doit être placé à température ambiante.
- Si vous avez reçu cet appareil lorsqu'il gelait dehors, ne le faites pas fonctionner jusqu'à ce que l'appareil se soit réchauffé et ait atteint la température ambiante.
- N'installez pas et n'utilisez pas cet appareil dans un lieu où la température ambiante est inférieure au gel.

CODE D'AVERTISSEMENT

Code d'avertissement	Problème	Raison	A faire	Solution
Err1	Verrou de la porte	La porte ne peut être verrouillée après 20 sec.	Avertissement et arrêt	Maintenance nécessaire
Err2	Pompe	L'eau ne peut être évacuée au niveau d'eau réglé en 4 minutes	Avertissement et arrêt	Videz la pompe
				Maintenance nécessaire
Err5	Alimentation en eau	Le niveau d'eau ne peut atteindre le niveau d'eau réglé en 8 minutes	Avertissement et arrêt	Vérifiez si la pression d'eau est basse ou arrête l'alimentation en eau.
				Maintenance nécessaire
Err7	Moteur	Le signal de réaction ne change pas au bout de 8 minutes pendant que le moteur fonctionne.	Avertissement et arrêt	Maintenance nécessaire
Err8	Alimentation en eau	Le niveau d'eau est au-dessus du niveau d'alerte.	Avertissement et arrêt	Maintenance nécessaire
Err9	Le senseur de la température de séchage	Le senseur de la température de séchage est court-circuité ou ouvert.	Avertissement et arrêt	Maintenance nécessaire
Er10	Le senseur du niveau d'eau	Le senseur du niveau d'eau est court-circuité ou ouvert.	Avertissement et arrêt	Maintenance nécessaire
Er12	Le niveau d'eau est anormal dans le cycle de séchage	Le niveau d'eau est au-dessus du niveau d'eau réglé pendant le cycle de séchage.	Avertissement et arrêt	Vérifiez le tuyau d'écoulement de l'eau et ajustez-le et remettez la machine en marche
Er13	Déverrouillage de la porte	La porte est ouverte	Avertissement et arrêt	Fermez la porte
Unb	Essorage inégal	Déséquilibre	Essorez à basse vitesse et annulez le séchage.	Dispersez les vêtements de façon égale dans le tube

PROBLEMES ET SOLUTIONS

La laveuse ne fonctionne pas:

- Vérifiez si l'appareil est bien branché. La fiche est peut être mal enfoncée.
- Vérifiez si la tension de la prise murale est adéquate.
- Vérifiez si le disjoncteur a besoin d'être touché ou si un fusible doit être remplacé.
- Vérifiez si l'appareil est sur « Off » ou en mode « Pause ».
- Vérifiez si la laveuse est trop remplie. Remplissez-la de nouveau et redistribuez le linge afin d'équilibrer la machine.
- Vérifiez si la porte est ouverte. Vous devez peut-être fermer la porte correctement.

Problèmes d'eau:

- Il n'y a pas assez d'eau qui entre : Le robinet d'eau a peut-être besoin d'être tourné à fond sur ON. Les tuyaux d'eau peuvent être tordus ou emmêlés. Faites en sorte qu'ils soient bien droits et raides.
- La température de l'eau est incorrecte : Vérifiez la température de votre chauffe-eau. L'eau chaude a besoin d'être à une température d'au moins 120°F-140°F (49°C-60°C). Vérifiez que les tuyaux d'arrivée sont correctement raccordés (c'est-à-dire que le chaud est sur le chaud et le froid sur le froid).
- Fuites d'eau : C'est causé par une mauvaise installation du tuyau d'évacuation ou du tuyau de remplissage. Votre drain peut être bouché ou a une pression d'eau constante. Il faut peut-être que vous resserriez les tuyaux, vérifiez la plomberie ou appelez un plombier.
- L'eau ne s'écoule pas - C'est causé par une mauvaise installation du tuyau d'évacuation. Vous avez peut-être besoin de raccorder le tuyau d'évacuation correctement. Vérifiez la position du tuyau d'évacuation. Afin d'évacuer correctement, assurez-vous que le haut du tuyau d'écoulement est à moins de 2,6 pouces soit 80 cm du sol.

La laveuse fait du bruit:

- La laveuse peut avoir besoin d'être réinstallée. (Reportez-vous à la section installation.)
- La laveuse peut avoir besoin d'être rééquilibrée, car le linge à l'intérieur de la machine peut être placé de façon inégale.
- Les pièces de monnaie, les boutons ou d'autres objets lourds peuvent faire du bruit. (Lisez le Guide d'utilisation – Bruits de fonctionnement normal.)
- Un son de crissement : dû à un tube de lavage trop plein.
- Des bruits de vibration : dus à une mauvaise mise à niveau de la laveuse ou à une distribution inégale des vêtements dans le tube.

Problèmes avec les vêtements:

- Les vêtements sont trop froissés : Cela est dû au fait que les vêtements ont mal été mis dans la machine ou la machine a été trop remplie. Évitez de surcharger

la machine et ressortez le linge et triez-le. Ne mélangez pas les vêtements lourds comme les vêtements de travail avec des vêtements légers comme des corsages, chemises et des articles délicats. Vous avez peut-être besoin de laver dans de l'eau chaude ou de l'eau froide.

- Les vêtements ont des résidus de savon : Le détergent n'a peut-être pas bien dissous dans l'eau. Vérifiez la température de l'eau. Utilisez moins de détergent.
- Les vêtements sont tachés : Cela est dû au fait de mal utiliser l'assouplissant. Vous avez peut-être besoin de lire les bonnes instructions sur l'emballage du produit et vous devez suivre les recommandations d'utilisation de l'assouplissant.
- Les vêtements sont jaunis ou ont une teinte grise : Cela est dû au fait de ne pas utiliser assez de détergent pour des grandes quantités de linge. Vous devez peut-être ajouter plus de détergent à votre linge.
- Les vêtements sont déchirés ou troués – Des objets tranchants comme des épingles et des boucles de ceinture ont été laissés dans le tube de lavage. Vous devez retirer les objets petits, lâches et tranchants. Fermez les fermetures éclair, les ceintures, les attaches en métal, etc.

La sècheuse ne fonctionne pas:

- Vérifiez que l'appareil est bien branché. Le cordon est peut-être mal inséré dans la prise.
- Vérifiez si le disjoncteur a besoin d'être réenclenché ou si un fusible doit être remplacé.
- Vérifiez si le cycle de séchage est bien choisi.
- Vérifiez si la porte est ouverte.

La sècheuse fonctionne mais ne sèche pas le linge:

- L'unité est peut-être trop chargée. Le tambour de la sècheuse doit seulement être à moitié plein.
- Le conduit doit être sans peluche et sans poussière.
- Le linge dans la sècheuse doit être réarrangé. Les vêtements volumineux peuvent avoir besoin d'être séparés des vêtements réguliers.
- Les vêtements volumineux peuvent avoir besoin d'être repositionnés.
- Si les vêtements sèchent de façon inégale, il faut peut-être sélectionner un cycle de séchage plus élevé ou les vêtements dans la sècheuse peuvent avoir besoin d'être réarrangés.

La sècheuse fait du bruit en séchant:

- Les pièces de monnaie, les boutons et les autres objets lourds peuvent faire du bruit.
- La sècheuse peut avoir besoin d'être rajustée. Lisez le guide de fonctionnement – Bruits de fonctionnement normal.

Statique:

- Causé par un séchage trop important. Ajustez pour un temps de séchage plus court.
- Mélange avec des tissus synthétiques. Triez et séparez les différents tissus.
- Utilisez un assouplissant.

CARACTÉRISTIQUES TECHNIQUES

HWD1600	
Alimentation	120VAC 60Hz
Courant de commande maximum (A)	12
Pression d'eau (PSI)	LU
Puissance de lavage (W)	230
Puissance d'essorage (W)	290
Vitesse d'essorage (RPM)	1000
Taille (Hauteur, Profondeur, Largeur)	33-7/16" x 23-5/8" x 23-7/16"
Poids (lbs/kg)	Net : 196 Brut : 209
Capacité de lavage (IEC)	1.8 cu. ft.

GARANTIE LIMITÉE

Service à domicile

Garantie complète d'UN an

Pendant 12 mois à partir de la date d'achat de l'appareil, Haier réparera ou remplacera toute pièce, gratuitement dont le travail résultant d'un défaut de matériels ou de main-d'œuvre.

Garantie limitée

Après un an à compter de la date d'achat, Haier fournira une pièce gratuitement, comme indiqué au-dessus, pour remplacer la pièce défectueuse ou la main d'œuvre. Haier est entièrement responsable du coût de la pièce. Tous les autres coûts tels que travail, transport, etc. sont à la charge du client.

De la deuxième à la cinquième année

Haier fournira le bloc carrosserie si la carrosserie doit rouiller.

De la deuxième à la dixième année

Haier fournira le tube de lavage intérieur en acier inoxydable.

NOTE: Cette garantie commence à la date d'achat de l'appareil et le reçu d'achat original doit être présenté au service agréé avant que les réparations de la garantie ne soient effectuées.

Exceptions : Garantie de l'appareil pour usage commercial ou location de l'appareil

90 jours pour la main-d'œuvre à partir de la date d'achat original

90 jours pour les pièces.

Il n'y a pas d'autres garanties.

Pour obtenir le service de garantie

Contactez votre centre de service agréé le plus proche. Tout service sera effectué par un centre de service agréé Haier. Pour le nom et numéro de téléphone le plus du centre de service agréé le plus proche veuillez appeler le 1-877-337-3639.

Avant d'appeler veuillez vous assurer d'avoir à votre disposition les informations suivantes:

Numéro du modèle et numéro de série de votre appareil. Le nom et l'adresse du revendeur ou vous avez acheté l'unité et la date d'achat. Une claire description du problème. Une preuve d'achat (reçu/ticket de caisse).

Cette garantie couvre les appareils en Amérique continentale, Porto Rico et au Canada. Ce qui n'est pas couvert par cette garantie:

Le remplacement ou la réparation des

fusibles, des disjoncteurs, l'installation électrique ou la plomberie du lieu d'utilisation de l'appareil. Un produit dont le numéro de série original a été retiré ou altéré. Tous frais de service qui ne sont pas spécifiquement identifiés comme des heures de service normales ou de zones de service normales.

Les dommages aux vêtements.

Les dommages causés lors du transport.

Les dommages dus à une mauvaise installation ou à une mauvaise maintenance de l'appareil.

Les dommages dus à une mauvaise utilisation, un accident du à un abus, un incendie, une inondation, ou des catastrophes naturelles.

Les dommages résultant d'une modification du produit, altération ou ajustement non autorisé par Haier.

Les ajustements des contrôles comme identifiés dans le guide d'utilisation.

Les tuyaux, les boutons, les bacs à peluches et tous les attachements, accessoires et les pièces jetables.

Le travail, le service de transport et les frais d'expédition pour le retrait et le remplacement des pièces défectueuses au-delà de la période initiale de 12 mois. Les dommages dus à une utilisation autre que domestique. Tout frais de transport et d'expédition.

CETTE GARANTIE LIMITÉE EST DONNÉE À LA PLACE DE TOUTE AUTRE GARANTIE EXPRIMÉE, OU IMPLICITE INCLUANT LES GARANTIES DE QUALITÉ MARCHANDE ET DE COMPATIBILITÉ À UNE FIN PARTICULIÈRE.

Le recours offert dans cette garantie est exclusif et est accordé à la place de tout autre. Cette garantie ne couvre pas les dommages secondaires ou conséquents et donc les limitations ci-dessus peuvent ne pas s'appliquer pas à vous. Certains États n'autorisent pas les limitations sur la durée d'une garantie donc les limitations ci-dessus ne vous concernent peut-être pas. Cette garantie vous donne des droits légaux et il se peut que vous ayez d'autres droits qui varient d'un État à l'autre.

Haier America
New York, NY 10018

INSTRUCCIONES DE SEGURIDAD IMPORTANTES

Advertencia: *Para reducir el riesgo de incendio, descarga eléctrica o lesiones a las personas al usar el artefacto, siga las precauciones básicas, incluyendo las siguientes:*

1. Lea todas las instrucciones antes de usar el electrodoméstico.
2. Use este electrodoméstico sólo con los usos para los que fue diseñado, según se describe en esta guía de uso y cuidados.
3. Use sólo detergentes o suavizantes recomendados para el uso en este electrodoméstico y manténgalos fuera del alcance de los niños.
4. Este electrodoméstico debe ser instalado correctamente conforme a las instrucciones de instalación antes de utilizarlo.
5. Nunca desenchufe su electrodoméstico jalando del cable de corriente. Siempre agarre con firmeza el enchufe y jale directamente del tomacorriente.
6. Reemplace inmediatamente los cables de energía deteriorados o los enchufes y tomacorrientes flojos.
7. Desenchufe su electrodoméstico antes de limpiarlo o de realizar reparaciones.
8. Si su electrodoméstico viejo no está en uso, le recomendamos quitarle la puerta. Esto reducirá la posibilidad de peligro para los niños.
9. No accione el electrodoméstico en presencia de humos explosivos.
10. No use este electrodoméstico para lavar prendas que se han mojado, manchado o lavado con gasolina, solventes para limpieza en seco o cualquier otra sustancia explosiva o inflamable que pueda prenderse fuego o explotar.
11. Las vestimentas o trapos usados para limpiar materiales inflamables o explosivos no deben lavarse en este electrodoméstico hasta que se hayan removido todos los restos de estos materiales, para evitar un accidente.
12. No agregue o mezcle sustancias inflamables o explosivas al lavado.
13. No accione el artefacto cuando tenga piezas faltantes o rotas.
14. No use este electrodoméstico con fines comerciales.
15. No accione este artefacto hasta que todos los paneles de cerrado estén ubicados correctamente en su lugar.
16. No manipule indebidamente los controles.
17. Para reducir el riesgo de lesiones, no permita que los niños jueguen dentro o sobre el artefacto. Es necesario supervisar con atención a los niños cuando el artefacto se utiliza cerca de ellos.
18. Este artefacto debe conectarse a un tomacorriente adecuado con el suministro eléctrico correcto.

19. Debe asegurarse una conexión a tierra adecuada para reducir el riesgo de descargas eléctricas o incendios. **NO CORTE O QUITE EL ENCHUFE DE CONEXIÓN A TIERRA.** Si no cuenta con un tomacorriente de tres entradas en la pared, pídale a un electricista matriculado que instale el tomacorriente adecuado. El tomacorriente de pared **DEBE** tener una adecuada conexión a tierra.
20. Se puede producir gas hidrógeno si el calentador de agua no ha sido utilizado durante más de dos semanas. Esto puede ser explosivo en ciertas circunstancias. En este caso, abra todas los grifos de agua caliente y deje correr el agua caliente durante unos minutos antes de usar este artefacto. De esta manera, el hidrógeno atrapado se liberará. Durante este proceso no prenda ningún artefacto eléctrico; no fume ni prenda una cerilla ni encendedor; ni use una llama, Esto evitará accidentes ya que el gas hidrógeno es inflamable y puede explotar.
21. No seque artículos que han sido limpiados, lavados, remojados o manchados con gasolina, solventes para el lavado en seco u otras sustancias explosivas inflamables, ya que pueden liberar vapores que pueden prenderse fuego o explotar.
22. No repare o reemplace ninguna pieza del artefacto ni intente ningún tipo de reparación a menos que esté recomendado específicamente en las instrucciones de reparación para el usuario, las cuales debe entender y debe tener la habilidad para llevarlas a cabo.
23. No utilice el secado con calor con elementos que contengan espuma de goma o materiales con texturas similares a la goma.
24. No coloque elementos expuestos a los aceites de cocción en su secadora. Los elementos contaminados con aceite pueden contribuir a que se produzca una reacción química que podría ocasionar que una carga se prenda fuego.

CONSERVE ESTAS INSTRUCCIONES

Nota: Estas unidades cuentan con un dispositivo de autobloqueo. Espere 3 minutos después de parar la máquina antes de abrir la puerta.

PELIGRO

Riesgo de que los niños se atrapen. Antes de deshacerse de su electrodoméstico viejo, quite la puerta para que los niños no puedan quedarse atrapados adentro fácilmente.

Gracias por comprar nuestro producto Haier. Este manual fácil-de-usar lo guiará en sacarle el mejor uso a su lavadora y secadora.

Recuerde tomar nota de los números de modelo y serie. Están ubicadas en la etiqueta en la parte de atrás de la lavadora.

Grabe su recibo al manual. **Lo necesitará para obtener servicio según la garantía.**

Número de modelo

Número de serie

Fecha de compra

CONEXIONES ELÉCTRICAS

INSTRUCCIONES DE PUESTA A TIERRA

Este aparato necesita estar conectada a tierra. En un caso de un corto circuito eléctrico, la conexión a tierra reduce el riesgo de descarga eléctrica al proporcionar un alambre de escape para la corriente de electricidad. Este aparato viene equipado con un cable que tiene un alambre de conexión a tierra y un enchufe con conexión a tierra. El enchufe debe colocarse en un tomacorriente apropiado que este correctamente instalado y conectado a tierra.

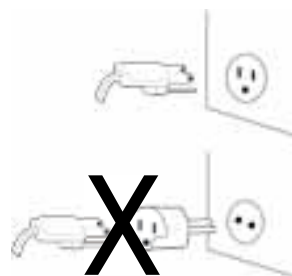


- Uso incorrecto del enchufe puede resultar en el riesgo de descarga eléctrica.
- Consulte a un electricista o personal de servicio si la instrucciones de conexión a tierra no se dejan entender por completo o si existen dudas acerca de que si el aparato ha quedado bien conectado a tierra.

Requisitos de Instalación Eléctrica:

- Este aparato debe enchufarse en UN TOMA CORRIENTE CONECTADO A TIERRA DE POR LO MENOS 15 AMP 120 VOLT, 60HZ.

Nota: Donde se encuentre un tomacorriente estándar para dos clavijas, es la responsabilidad personal y obligación del consumidor hacer que se reemplace con un tomacorriente de tres clavijas correctamente conectada a tierra.



Cables de Extensión:

No se recomienda el uso de cables de extensión.



Interrupciones de Corriente

De vez en cuando puede haber apagones a causa de tormentas de electricidad u otras cosas. Desenchufe el cable de electricidad del tomacorriente AC cuando ocurre un apagón. Cuando la corriente haya sido restaurada, vuelve a enchufar el cable de electricidad en el tomacorriente AC. Si el apagón se prolonga por un tiempo, limpie la lavadora antes de volverla a usar. Para detalles vea "Otros Usos"- "Función de Memoria Apagar" en la página 19.

ÍNDICE DE MATERIAS

INSTRUCCIONES DE SEGURIDAD IMPORTANTES	1
CONEXIONES ELÉCTRICAS	4
Instrucciones de Puesta a Tierra.....	4
PIEZAS Y ATRIBUTOS	6
Parte delantera	6
Parte de atrás	7
INSTRUCCIONES DE INSTALACIÓN	8
Herramientas y Materiales Necesarios.....	8
Desempacar su electrodoméstico.....	9
INSTALACIÓN	11
Fuente de Energía	12
Dimensiones del Módulo.....	12
INSTRUCCIONES DE FUNCIONAMIENTO	13
Panel de Manejo.....	13
SELECCIÓN DE FUNCIONAMIENTO	15
SELECCIÓN DE PROGRAMA	16
Cargar	17
Uso correcto del dispensador.....	17
MÉTODOS DE LAVADO	18
INFORMACIÓN ADICIONAL	18
Sonidos Normales de Funcionamiento	19
GUÍA DE USO Y CUIDADO	20
Limpieza y mantenimiento	20
Mudanzas y vacaciones	21
Almacenaje de su electrodoméstico en un ambiente frío	21
CÓDIGOS DE ADVERTENCIA	22
LOCALIZACIÓN Y RESOLUCIÓN DE PROBLEMAS	23
ESPECIFICACIONES TÉCNICAS	25
GARANTÍA LIMITADA	26

PIEZAS Y ATRIBUTOS

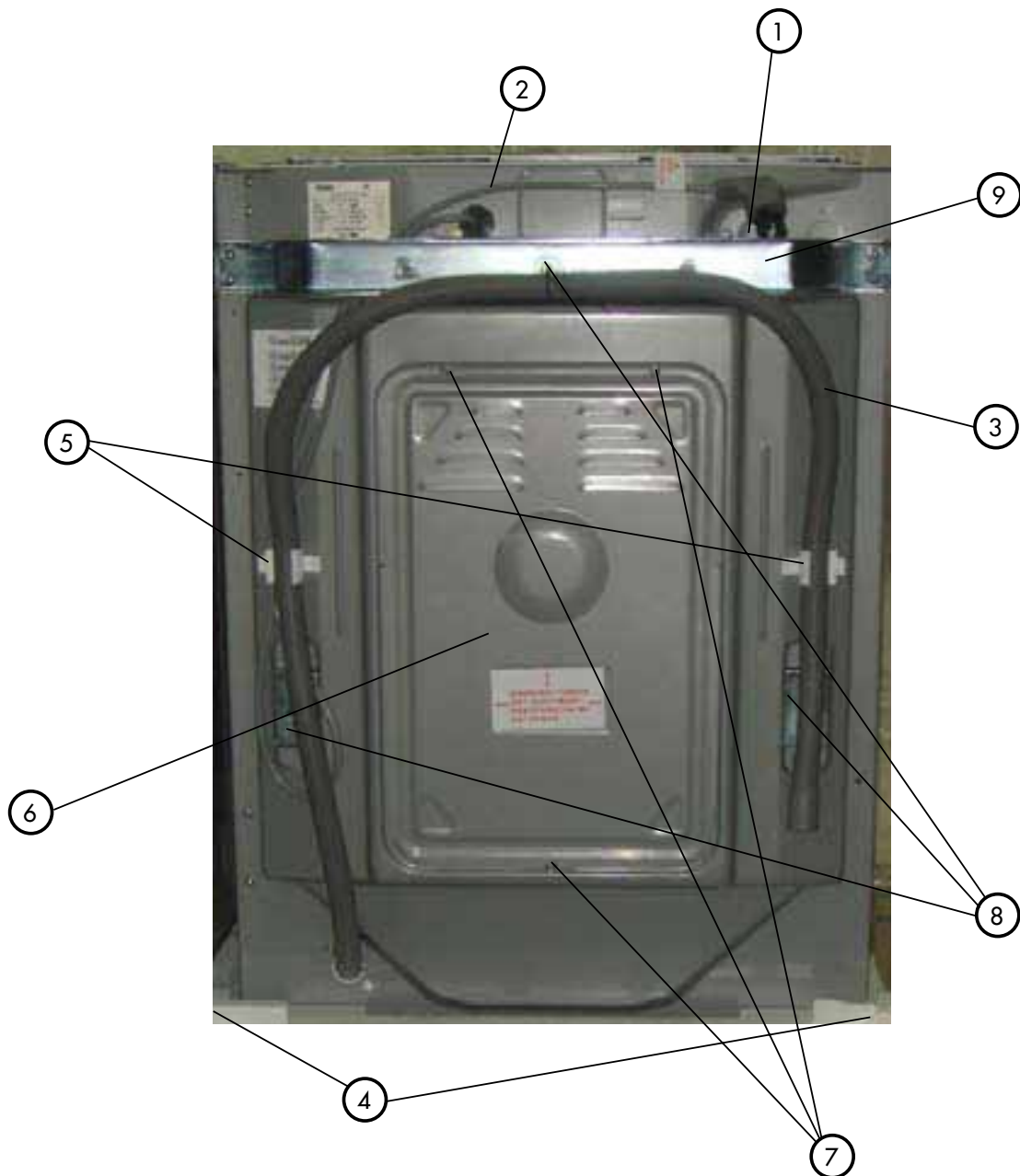
Parte delantera



- | | |
|---|---|
| 1. Dial de selección de ciclo | 9. Botón de selección de temperatura |
| 2. Botón Start/Pause (Comenzar/Pausa) | 10. Ventana de vidrio de la puerta para ver el interior |
| 3. Botón de selección del ciclo de secado | 11. Filtro (no se muestra) |
| 4. Botón de selección de enjuague extra | 12. Patas ajustables para la parte delantera (no se muestran) |
| 5. Botón de función de prelavado | 13. Compartimiento para el detergente/suavizante |
| 6. Botón de demora | 14. Tapa extraíble |
| 7. Visor de tiempo restante | |
| 8. Botón de selección de la velocidad de centrifugado | |

PIEZAS Y ATRIBUTOS

Parte de atrás



- | | |
|---|---|
| 1. Válvulas de entrada de agua (fría/
caliente) | 5. Sujetadores de la manguera de
desagüe (3) |
| 2. Suministro de energía (120V/60Hz,
15 Amperes) | 6. Placa trasera |
| 3. Manguera de desagüe | 7. Tornillos de la placa trasera (3) |
| 4. Patas de nivelación ajustables para
la parte trasera (no se muestran) | 8. Pernos para el transporte (3) |
| | 9. Soporte de metal |

INSTRUCCIONES DE INSTALACIÓN

⚠ Advertencia. Riesgo de incendio

- La instalación del combo de lavadora/secadora de ropa debe realizarla un instalador calificado.
- Instale el combo de acuerdo con las instrucciones del fabricante y los códigos locales.
- Para reducir el riesgo de lesiones graves o muerte, siga todas las instrucciones de instalación.
- Conserve estas instrucciones

Herramientas y Materiales Necesarios

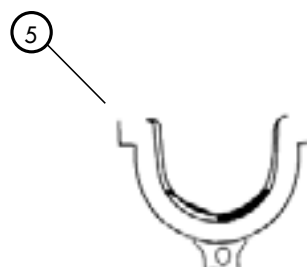
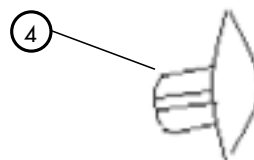
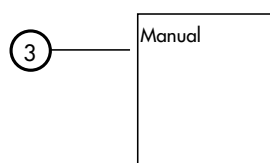
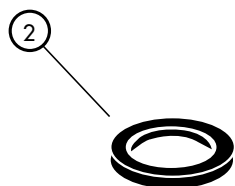
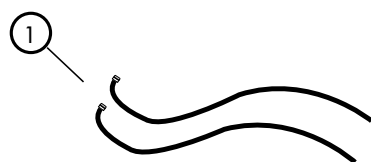
Ud. Necesitará las siguientes herramientas para ayudarle en la instalación de su lavadora:

- Tijeras
- Destornillador estándar
- Alicates
- Llave inglesa
- Cinta de medidas
- Guantes
- Nivel

Accesorios Proveídos

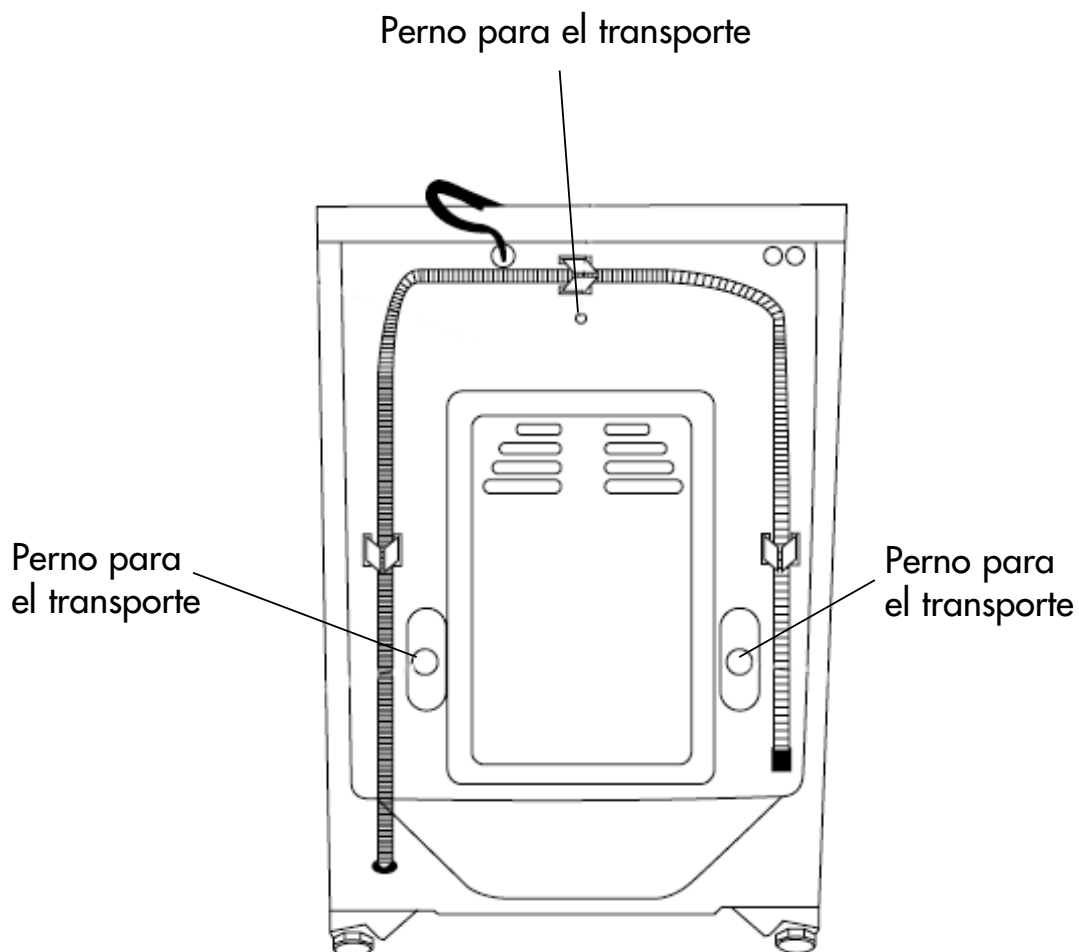
Quantity

1. Mangueras de entrada para agua fría y caliente	2
2. Lavadores planos para mangueras de entrada de agua (Instaladas en cada punto de las mangueras de entrada de agua)	4
3. Guía de uso y Cuidado (No Mostrado)	1
4. Tapones plásticos para cubrir los huecos de los pernos de transporte	3
5. Soporte de la manguera de desagüe	1



Desempacar su electrodoméstico

- Quite todo material de empaque, incluyendo a los pernos de transporte.
- Inspeccione y quite cualquier resto de material de empaque, cinta adhesiva, o materiales estampados antes de utilizar la lavadora.
- Pernos de transporte se deben quitar antes de usar la máquina. Una vez que se quiten, guárdelos para que cuando se mude pueda reinstalarlos para proteger al aparato de daños durante el transporte.
- Mangueras de entrada de agua y otros accesorios son empaçadas y colocadas dentro de la cavidad.



- Como muestra la figura 1, quite todos los materiales de empaque (incluyendo a la base de espuma de caucho).

Al abrir el paquete, posiblemente se verán gotas de agua en la bolsa de plástico y en la portilla. Se llevan a cabo pruebas con agua para comprobar que no haya pérdidas.

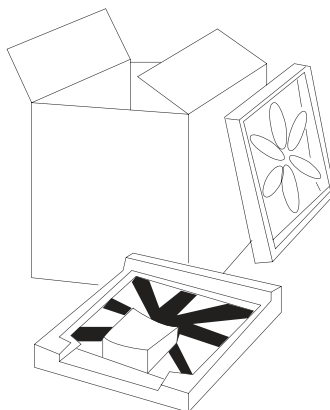


Fig. 1



- Quite los tres pernos de transporte como muestra la figura 2ª. Los pernos protegen al aparato de los impactos durante el transporte. Se deben seguir los pasos indicados abajo antes de usar el aparato:

1. Quite la placa dorsal de la lavadora. Para hacer esto necesitará quitar tres tornillos que sostienen la placa.
2. Ahora puede quitar los pernos para el transporte. Mientras esté quitando los tres pernos de la parte trasera de la lavadora, al mismo tiempo quite las mangueras de goma que se encuentran detrás de los pernos para el transporte dentro de la unidad. Quite el soporte de metal y guárdelo en un lugar seguro para su posterior uso.
3. Vuelve a instalar la placa dorsal.
4. Llene los huecos que quedan donde estaban los pernos con tapones de plástico. (Ojo: Los pernos y la manguera de goma se deben conservar en un lugar seguro para uso más luego.) (Fig. 2B)

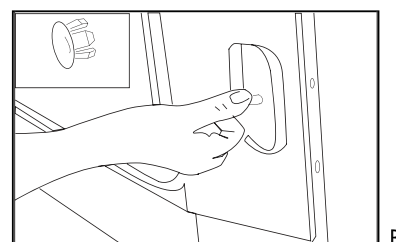
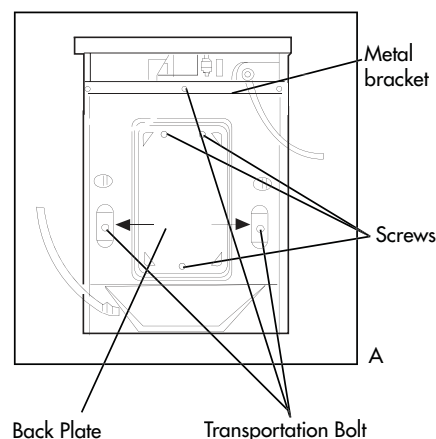


Fig. 2

- Nivelar la Lavadora: Debajo de la lavadora se encuentran patas ajustables. Antes de usar, la lavadora debe ser ajustada, como muestra la figura 3, para asegurar que esté nivelada.
- Las patas niveladoras se pueden ajustar al girarlas en el sentido contrario a las agujas del reloj para subir la lavadora, o en el sentido de las agujas del reloj para volverla a bajar.

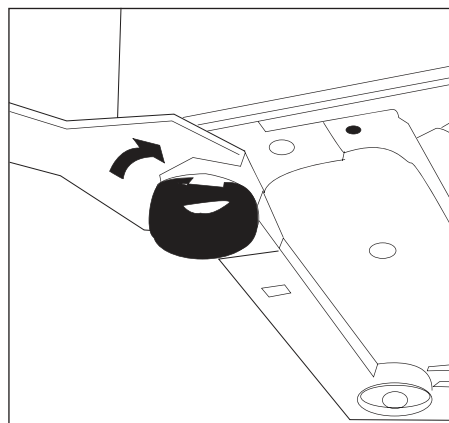
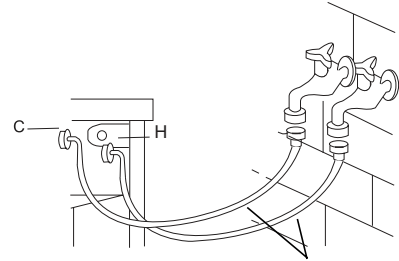


Fig. 3

INSTALACIÓN

Conexión de Manguera de Entrada de Agua y la Lavadora (utilice conjuntos de mangueras nuevos, no debe volver a usar mangueras viejas)

- Conecte el gancho de unión liso de la manguera de entrada con el grifo de agua y asegúrese de apretarlo.
- Conecte el gancho de unión en forma de codo a la manguera de entrada y asegúrese de apretarlo.



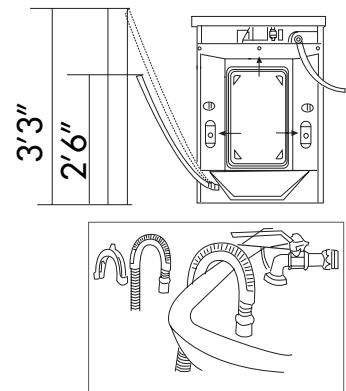
Mangueras de entrada de agua

- Nota:**
- Por favor esté seguro de que la manguera de entrada COLD (Fría) esté conectada a la válvula para agua fría (tachada con "C").
 - Por favor esté seguro de que la manguera de entrada HOT (Caliente) esté conectada a la válvula para agua caliente (tachada con "H").

Nota: Una arandela de goma llana debe estar presente dentro de cada punto de las mangueras de entrada. Apretar excesivamente podría provocarle daños a la válvula.

Manguera de Drenaje de Agua

- La altura del tubo para la manguera de drenaje de agua debe ser entre 2'6" a 3'3". La manguera de drenaje de agua se debe colocar de manera segura en la pinza en la parte de atrás de la lavadora.
- Uso el soporte de drenaje de agua (soporte) incluido como accesorio para la instalación correcta. Si necesita extender la manguera de drenaje de agua, no debería exceder más de 8'2". (Una extensión más larga resultará en entrada y salida concurrente de agua.) El diámetro de la manguera de extensión debe ser igual a la de la manguera original.



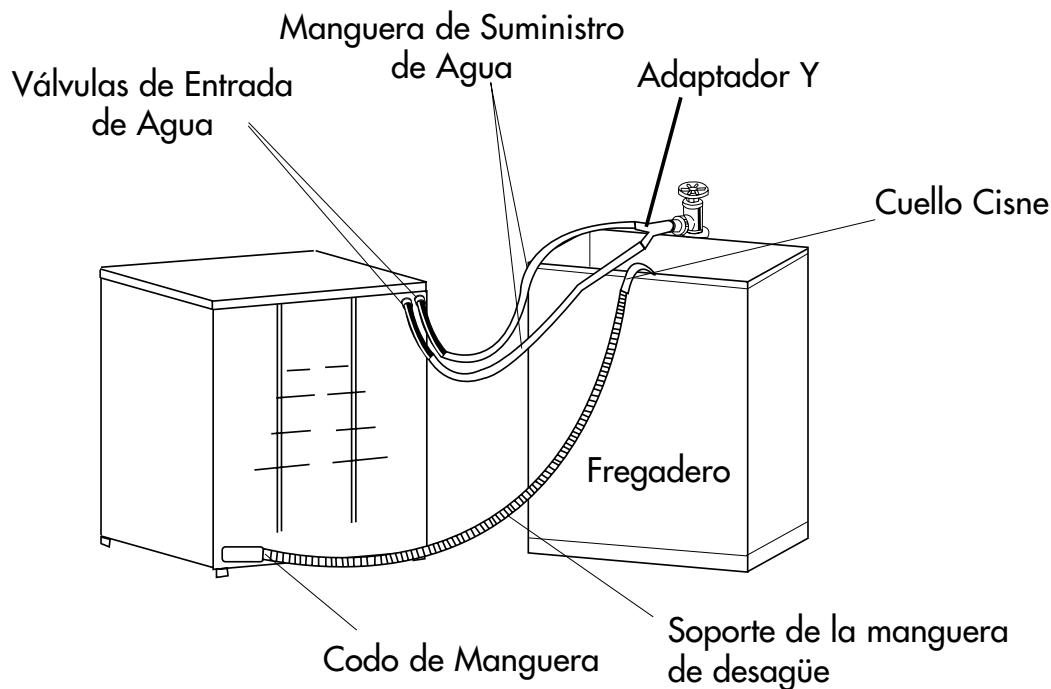
Aviso: La manguera de drenaje de agua no se debe sumergir en agua. La manguera original y la de extensión deben quedar apretadamente conectadas.

Fuente de Energía

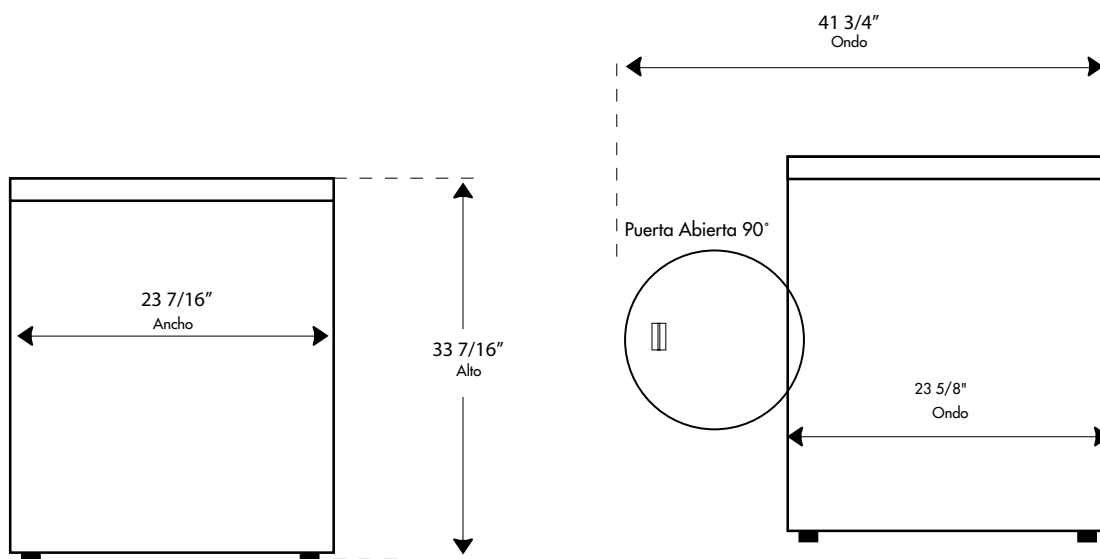
- Módulo debería conectarse a un tomacorriente regular con conexión a tierra de 120V~60 Hz 15A. Asegúrese de que códigos locales de la ciudad se sigan.

Conexión de Adaptador Y

Nota: "Adaptador Y" mostrado en la figura de abajo es solo para ejemplo. No se incluye en la caja como accesorio. Si necesita utilizar este tipo de conexión, puede comprar y "Adaptador Y" de su ferretería más cercana.



Dimensiones del Módulo



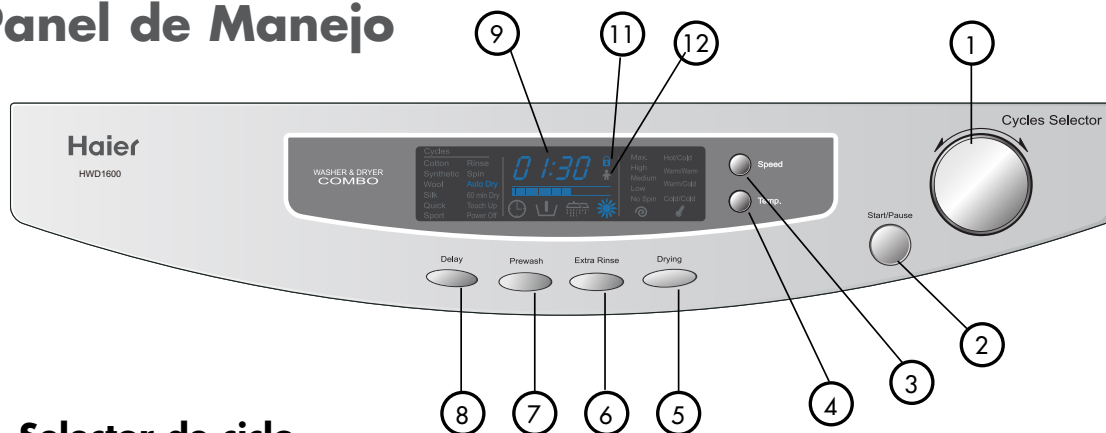
Vista del frente

Vista de lado

INSTRUCCIONES DE FUNCIONAMIENTO

Advertencia: Para reducir el riesgo de incendio, descarga eléctrica, o heridas a personas, lea las INSTRUCCIONES DE SEGURIDAD IMPORTANTES antes de utilizar este aparato.

Panel de Manejo



1. Selector de ciclo

Para configurar el programa de lavado deseado, gire la perilla y se iluminará el ciclo seleccionado en el panel de control. Los ciclos de lavado son: Algodón, Sintéticos, Lana, Seda, Rápido y Deportiva. Una vez que haya realizado la selección, podrá presionar "Start/Pause" (Comenzar/Pausa) para iniciar el funcionamiento.

2. Botón Start/Pause (Comenzar/Pausa)

Después de seleccionar el ciclo, las opciones, la velocidad de centrifugado, la temperatura y el ciclo de secado, presione este botón para comenzar a lavar. Durante un ciclo de lavado, presione este botón para pausar el funcionamiento. Oprima nuevamente para reanudar el funcionamiento. Si se selecciona el ciclo de secado, la carga de lavado pasará al programa de secado después de que se termina de lavar.

3. Spin Speed Selection (Selección de velocidad de centrifugado)

Con este botón puede seleccionarse la velocidad de centrifugado requerida. Puede elegir entre Max (Máxima); High (Alta); Medium (Media); Low (Baja) y No Spin (Sin centrifugado):

La velocidad máxima varía cuando se selecciona un programa diferente.

4. Botón Temperature (Temperatura)

Presione este botón para seleccionar la temperatura de lavado/enjuague. Las opciones de selección son frío/caliente; tibio/tibio; tibio/frío; frío/frío. La temperatura de lavado/enjuague varía cuando se selecciona un programa diferente.

5. Botón Drying (Secado)

Para comenzar el ciclo de secado inmediatamente después del ciclo de lavado, presione este botón. Se encenderá un indicador que mostrará que está activo. Cuando la unidad pase al modo secado, la luz destellará. Para cancelar el programa, presione el botón Start/Pause (Comenzar/Pausa) antes de que finalice el ciclo. Si se presiona el botón Drying (Secado) nuevamente, se cancelará el programa de secado y se apagará la luz.

NOTA: El ciclo de secado no está disponible en todos los ciclos de lavado.

6. Botón Extra Rinse (Enjuague extra)

Presione este botón para agregar un ciclo de enjuague adicional a su carga de lavado. Una luz en la pantalla le avisará que se ha activado la opción. Antes de que el ciclo de lavado pase al modo suavizante, se agregará un ciclo de enjuague adicional.

7. Prewash (Prelavado)

Presione este botón para activar el ciclo de prelavado. La luz indicadora se encenderá. Una vez que comienza el ciclo de lavado, primero pasará al modo Prelavado y luego al ciclo de lavado regular. Durante este tiempo, la luz de prelavado parpadeará y el agua entrará al primer compartimiento del dosificador de detergente. Al final del ciclo la luz indicadora se apagará.

8. Comienzo demorado

Para seleccionarlo, presione el botón con la función "Delay" (Demorado). El ciclo de lavado comenzará en un momento posterior según su elección. El comienzo del ciclo se demorará 1 hora por cada vez que presione el botón, hasta un máximo de 24 horas. Después de que la pantalla muestra 24:00, si se presiona el botón una vez más aparecerá 00:00. En ese momento puede cancelar la función de demora sin apagar el combo. Cuando está seleccionada la opción, el icono de demora se encenderá y se apagará únicamente cuando comience el ciclo. La pantalla muestra el tiempo de demora en horas. Cuando se llegue al tiempo de demora seleccionado, la máquina comenzará a trabajar.

9. Pantalla LCD

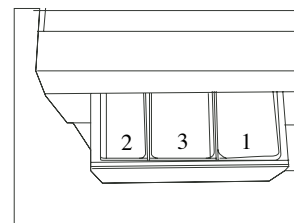
Muestra el ciclo de lavado elegido, el ciclo de secado elegido, el tiempo restante de lavado/secado o de demora, la velocidad de centrifugado y la selección de temperatura. También se mostrará la luz indicadora de demora, prelavado, enjuague extra o secado. Se iluminarán las funciones de bloqueo de la puerta y bloqueo infantil cuando se activen.

10. Distribuidor de detergente

Si se elige el ciclo de prelavado, agregue detergente al primer compartimiento.

El detergente de lavado regular debe agregarse en el segundo compartimiento.

Si se utiliza suavizante para la ropa, éste debe agregarse en el tercer compartimiento.



11. Luz de la puerta

Una luz de bloqueo se iluminará cuando se bloquee la puerta.

12. Indicadores de bloqueo infantil

Cuando se active el bloqueo infantil, este indicador se encenderá. Cuando el combo esté en funcionamiento, presione "Delay" (Demorado) y "Start/Pause" (Comenzar/Pausa) a la vez durante 3 segundos. De esta manera se activa la función. La pantalla LCD mostrará "Safe On" (Encendido con seguridad). En este momento, los ciclos seleccionados no pueden cambiarse accidentalmente. Para cancelar la función, presione "Delay" (Demora) y "Start/Pause" (Comenzar/Pausa) nuevamente durante 3 segundos.



SELECCIÓN DE FUNCIONAMIENTO

Suministro eléctrico	<ul style="list-style-type: none"> • 120V/60Hz/15 Amperes.
Suministro de agua	<ul style="list-style-type: none"> • Abra el grifo y asegúrese de que el flujo de agua sea correcto. <p>Precaución: Antes de encender la lavadora, abra el grifo para asegurarse de que el grifo del agua y la manguera de entrada de agua estén conectadas y no goteen.</p>
Selección de detergente	<ul style="list-style-type: none"> • El resultado del lavado depende de la calidad del detergente, excepto en lo que se refiere al rendimiento de las funciones de la lavadora. Hay muchas marcas de detergente en el mercado. Para lograr el mejor resultado de lavado, le sugerimos que utilice detergentes que produzcan poca espuma, para el uso con máquinas lavadoras automáticas con tambor. • Lea las instrucciones del fabricante del detergente para elegir el detergente correcto y la cantidad que debe usar. <p>Atención: Ponga en el compartimiento sólo la cantidad de detergente suficiente para una carga de lavado por vez.</p>
Tratamiento de la ropa	<ul style="list-style-type: none"> • Clasifique las prendas según su tipo y la cantidad de suciedad. Hay tres tipos de prendas: géneros de algodón, sintéticos y de lana (seda). • Separe las prendas blancas de las de color. • Saque todos los objetos de los bolsillos, tales como llaves y monedas, que puedan provocar daños a la máquina. • Repare las prendas dañadas, los botones flojos o los cierres dañados antes de lavar. • Las sábanas y los manteles deben introducirse sin doblar. • Esta lavadora es para uso hogareño y está

Tipo	Algodón	Sintético	Lana/Seda	Mezclas	Secado
Carga máxima	13,2 libras	6,6 libras	3,3 libras	6,6 libras	6,6 libras

SELECCIÓN DE PROGRAMA

Programa	Opción	Condición adecuada	Carga(libras) por debajo	Duración del programa
Algodón	lavada	lavado de prendas de algodón	13.22	1:30
	lavada+secado	lavado de prendas de algodón	6.6	3:30
Sintético	lavada	lavado de prendas sintéticas	6.6	0:58
	lavada+secado	lavado de prendas sintéticas	6.6	2:58
Lana	lavada	lavado de prendas de lana	3.3	0:50
Seda	lavada	lavado de prendas de seda	3.3	0:50
Rápido	lavada	para prendas no demasiado sucias	6.6	0:29
Deportiva	lavada	para prendas deportivas	6.6	0:25
Enjuague	/	/	/	0:22
Centrifugado	/	/	/	0:09
Secado automático	secado	algodón o de prendas sintético	6.6	2:00
Secado en 60 min	secado	lavado de prendas sintético	6.6	1:00
Retoque	secado	/		0:30
Apagado(Off)		/		

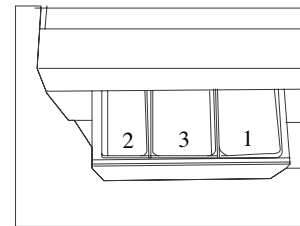
Cargar

- Carga cada artículo ligeramente.
- Separe la ropa de color de la ropa blanca. Separe ropa gruesa de la ropa ligera.
- Revise cuidadosamente todos los bolsillos, puños y dobladillos para objetos pequeños. Estos pueden fácilmente rodarse dentro de la tina y dañarla.
- Hágale un tratamiento inicial a las manchas y áreas bastante sucias para obtener los mejores resultados.
- No sobrecargue su lavadora.
- Cierre la puerta correctamente después de cargar la ropa.

Uso correcto del dispensador

El dispensador de detergente/ suavizante está ubicado en la esquina superior del lado izquierdo de la lavadora. Abra el dispensador jalándolo hacia afuera. Verá que hay tres compartimientos.

1. Detergente de pre-lavado
2. Detergente
3. Suavizante



Uso correcto de Suavizante de Tela:

- Vierta el suavizante en líquido dentro del compartimiento de la manera recomendada por el fabricante.
- No llene el compartimiento más de su límite indicado para evitar el reboso.

- Advertencia:**
- Nunca le eche suavizante directamente a la ropa porque puede decolorar la ropa o mancharla.
 - No use polvo o suavizante en el dispensador o se tapa. El dispensador es solo para líquidos.

Uso correcto del detergente:

Cuando esté seleccionado el ciclo del pre-lavado no use detergente en líquido. Se recomienda detergente que crea poca espuma para lavadores de estilo carga frontal. Este estilo de detergente evita daños a su lavadora que pueden resultar cuando un exceso de espuma llega a entrar al compartimiento comprendedor.

- Nota:** Ud. puede usar más o menos detergente dependiendo del tamaño de la carga, el tipo de agua disponible en su área, si es agua dura o agua suave, y si la ropa está muy sucia o solo un poco. Además del rendimiento de la lavadora, la calidad del detergente afecta el resultado del lavado. No use detergente líquido en los compartimientos 1 y 2.

MÉTODOS DE LAVADO

Uso de la lavadora

Cuando gire el selector de ciclos podrá elegir un ciclo de lavado. El ciclo de lavado se iluminará en el panel de control. La velocidad de centrifugado y la temperatura de lavado/enjuague están preconfigurados para cada uno de los ciclos. En este momento puede seleccionar el programa "Drying" (Secado) y presionar "Start/Pause" (Comenzar/Pausa) para comenzar a lavar.

Si después de seleccionar el ciclo desea cambiar la velocidad de centrifugado y la temperatura de lavado/enjuague, puede cambiar manualmente las configuraciones con los botones "Speed" (Velocidad) y "Temperature" (Temperatura). También puede seleccionar otras opciones, tales como "Prewash" (Prelavado) y "Extra Rinse" (Enjuague extra) en este momento. Se iluminará un icono en el panel de control que muestra lo que eligió.

Existen 3 selecciones de secado. Pueden seleccionarse Auto dry (Secado automático), Time Dry (60 min) (Secado programado) o Touch up (Retoque) antes de comenzar a lavar. El ciclo de retoque se elige para quitar las arrugas que se forman en las prendas que han estado en el guardarropa durante un tiempo prolongado. Es un ciclo de secado de 30 minutos.

Cuando estén elegidas las opciones, presione "Start/Pause" (Comenzar/Pausa) para comenzar el ciclo o "delay" (Demora) para comenzar el lavado posteriormente. Cada vez que se presiona este botón se demora el comienzo del lavado de a una hora.

NOTA: Para permitir que las prendas den vueltas durante el ciclo de secado, el tambor debe estar lleno sólo hasta la mitad.

INFORMACIÓN ADICIONAL

ADVERTENCIA: Para reducir el riesgo de incendio, no seque elementos que contengan espuma de goma o materiales con texturas similares a la goma.

Consejos

- Agregar el agente suavizante puede ayudar a que la ropa se libere de la electricidad estática y que las prendas se sientan suaves y sean fáciles de planchar.

Ahorramiento de energía y de agua durante el proceso del lavado

1. Coleccione ropa suficiente para una carga llena y completa.
2. No sobrellene la lavadora.
3. Hágale y tratamiento inicial a ropa que esté demasiado sucia.
4. Elija el ciclo Quick (Rápido) para las prendas no muy sucias.
5. Escoja una velocidad de centrífugo apropiada.
6. No use más detergente de lo necesario.
7. Suavizante hace que la ropa se siente más suave y que sea más fácil de planchar.

Otra Funciones

Función de Memoria-Apagar:

Esta máquina tiene una función de memoria-apagar. En un caso de un apagón de repente o si hay necesidad de cortar la corriente durante un ciclo de lavado, los ajustes presentes serán guardadas, y operación continuará cuando se restauré la corriente.

Sonidos Normales de Funcionamiento

Es normal escuchar los siguientes sonidos durante el funcionamiento de la lavadora:

- Sonidos de que algo se revuelca: Esto es normal ya que la ropa pesada y mojada que está en la lavadora está continuamente siendo tirada.
- Sonido de aire corriente: Esto sucede cuando la tina de la lavadora gira a un rpm muy alto.
- Lo cambios entre programas y modos—entre lavado y enjuague final—provocan sonidos clic.

GUÍA DE USO Y CUIDADO

Advertencia: Siempre desenchufe su aparato antes de limpiar para evitar la descarga eléctrica. Ignorar esta advertencia podría resultar en muerte o lesiones. Antes de usar productos para limpieza, siempre lea y siga las instrucciones del fabricante y las advertencias para evitar lesiones personales y daños al producto.

Limpieza y mantenimiento

Use un trapo húmedo o espumoso para limpiar el panel de funciones.

- Para evitar daños al acabado del gabinete, pásele el trapo al gabinete de la lavadora solo cuando sea necesario. Si le cae suavizante en polvo o líquido, blanqueador, o detergente, pásele un trapo inmediatamente porque esto podría dañar el acabado.
- No use sustancias abrasivas y duras, amoníaco, blanqueador de cloro, detergente concentrado, solvente o almohadillas de metal para restregar. Algunos de estas sustancias se pueden disolver, dañar, o mal colorear su aparato.
- Quite hebillas o pinchas de la ropa para evitar arañar las piezas interiores.
- El compartimiento del dispensador de detergente tiene una inserción desmontable. A partir del tiempo, este compartimiento podría acumular detergente reseco, tierra, y escombros. Hay que sacar la inserción y enjuagarla en un fregadero o quitar los escombros con un cepillo suave.

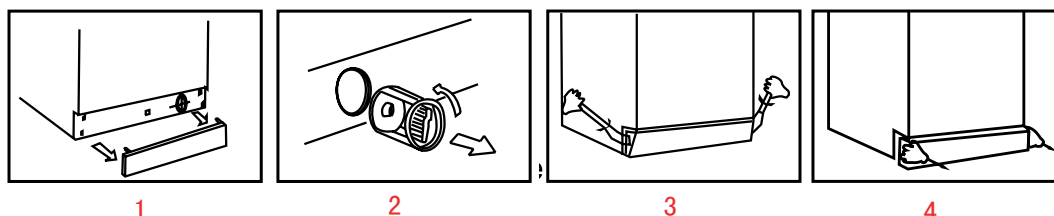
Limpieza del filtro (una vez por mes)

Este filtro se utiliza para atrapar botones, monedas y otros objetos sueltos que puedan haberse dejado en los bolsillos de las prendas.

Jale la tapa inferior con las dos manos como se muestra en la Fig. 1. Quite el filtro girando hacia la izquierda como se muestra en la Fig. 2. Enjuague con agua corriente hasta que esté limpio. Vuelva a colocar el filtro girándolo hacia la derecha y volviendo a ubicar la tapa.

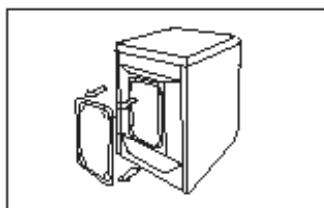
Nota: Durante el transporte, la tapa está firmemente asegurada a la máquina. Para quitarla, use un destornillador de punta plana para desajustar un poco la tapa y quítela con la mano (Fig. 3). Se recomienda utilizar una sartén poco profunda o ubicar una toalla debajo del filtro cuando lo limpia, ya que caerá agua.

Precaución: Se debe prestar atención para garantizar que el filtro vuelva a colocarse correctamente y así evitar posibles pérdidas.

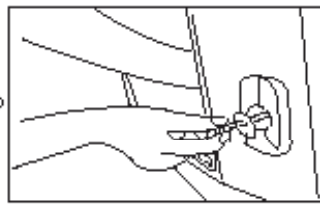


Mudanzas y vacaciones

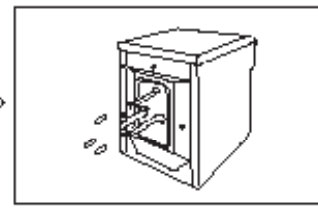
- Apague la fuente de agua que llega a los grifos y desconecte las mangueras. Escurra el agua de todas las mangueras. Este evitará daños a causa de escapes de agua si por un caso las mangueras se rompen o se sueltan.
- Desenchufe el cable eléctrico del tomacorriente en la pared.
- Seque la tina interior de lavado. Si va a mover la lavadora, desconecte la manguera de drenaje.
- Gire las pata niveladoras de la manera de las agujas del reloj hasta que estén completamente metidas.
- Para prevenir los hongos y mohos, deje la puerta abierta para que la humedad dentro de la lavadora se pueda evaporar.
- Vuelva a instalar los pernos de transporte y las mangueras de goma en la parte de atrás para prevenir que las partes internas de la máquina se sacudan cuando el aparato se lo mueve de un sitio a otro.
- Si va a llevar la máquina a un lugar muy lejos, vuelva a instalar los pernos de transporte y las mangueras de goma que se quitaron para la instalación como se ve en la imagen de abajo.



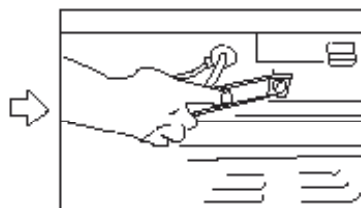
Quite la placa dorsal



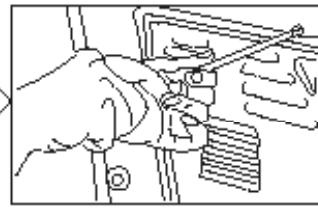
Vuelva a instalar las mangueras de goma



Vuelva a instalar los tornillos



Ajuste el perno con una llave de tuerca



Vuelva a poner la placa dorsal

Almacenaje de su electrodoméstico en un ambiente frío

- Este aparato se debe almacenar a temperatura de ambiente.
- Si recibe la entrega a domicilio de este aparato cuando la temperatura de afuera está bajo el punto de congelación, no ponga en marcha este aparato hasta que se haya calentado a la temperatura de ambiente.
- No instale y no use este aparato en una area donde la temperatura de ambiente es más bajo que el punto de congelación.

CÓDIGOS DE ADVERTENCIA

Códigos de advertencia	Problema	Motivo	Acciones que deben tomarse	Solución
Err1	Traba de la puerta	No se puede trabar la puerta después de 20s	Advertencia y detener el funcionamiento	Necesita reparación
Err2	Bomba	No se puede desagotar el nivel de agua configurado en 4 minutos	Advertencia y detener el funcionamiento	Limpie la bomba
				Necesita reparación
Err5	Suministro de agua	El nivel de agua no puede alcanzar el nivel de agua configurado en 8 minutos	Advertencia y detener el funcionamiento	Verifique si la presión de agua es baja o detenga el suministro
				Necesita reparación
Err7	Motor	La señal de respuesta no cambia en 8 minutos durante el funcionamiento del motor	Advertencia y detener el funcionamiento	Necesita reparación
Err8	Suministro de agua	El agua está por sobre el nivel de advertencia	Advertencia y detener el funcionamiento	Necesita reparación
Err9	El sensor de la temperatura de secado	Problema con el circuito del sensor del secado	Advertencia y detener el funcionamiento	Necesita reparación
Er10	Sensor del nivel de agua	Problema con el circuito del sensor del nivel del agua	Advertencia y detener el funcionamiento	Necesita reparación
Er12	El nivel de agua es anormal en el proceso de secado	El agua está por sobre el nivel de agua configurado durante el proceso de secado	Advertencia y detener el funcionamiento	Verifique la salida de agua del desagüe, ajústela y vuelva a encender la máquina
Er13	Desbloqueo de la puerta	La puerta está abierta	Advertencia y detener el funcionamiento	Cierre la puerta
Unb	Centrifuga asimétricamente	Desequilibrio	Centrifugue a velocidad baja y cancele el secado	Disponga las prendas de forma pareja en la tina

LOCALIZACIÓN Y RESOLUCIÓN DE PROBLEMAS

La Lavadora no Funciona:

- Asegurese de que este enchufada. El enchufe puede haberse soltado.
- Compruebe que el tomacorriente de la pared sea del voltaje correcto.
- Revise a ver si el interruptor diferencial necesita reajustamiento o si la fusila necesita ser reemplazada.
- Asegurese de que el aparato no esté en los modos "Off" o "Pause."
- Revise a ver que la lavadora no esté sobrecargada: la carga de prendas puede necesitar ser rebalanceada y la ropa puede necesitar ser redistribuida.
- Asegurese de que la puerta no esté abierta. Quizas necesite cerrar y asegurar bien la puerta.

Problemas con el agua:

- No hay suficiente agua saliendo: Puede que el grifo de agua lo haya que abrir completamente. O las mangueras pueden estar enredadas o arrugadas. Desenredelas.
- La temperatura del agua está incorrecta: Revise la temperatura de su calentador de agua. El agua caliente necesita que esté a una temperatura de por lo menos 120F-140F (49C-60C). Asegurese de que las mangueras de entrada estén bien colocadas. (ejemplo: caliente con caliente, fría con fría).
- Escapes de Agua: Esto se debe a la mala instalación de manguera de drenaje y de entrada. El desagüe de su casa puede estar bloqueado o tiene presión de agua constante. Puede ser que necesite apretar las mangueras; revise las tuberías o llame a un fontanero.
- El Agua no se Escurre; esto se debe a la instalación incorrecta de la manguera de drenaje. Puede ser que necesita conectar correctamente la manguera de drenaje. Fijese en la posición de la manguera. Para hacer drenaje apropiado, asegurese de que la parte superior de la salida de drenaje esté menos de 2'6" arriba del piso.

La lavadora está haciendo ruido:

- La Lavadora puede necesitar ser instalada nuevamente. (Revise la sección sobre la instalación)
- La carga dentro de la lavadora puede necesitar que la rebalanceen, ya que la carga puede estar dispereja.
- Los ruidos pueden ser a causa de monedas, cambio suelto, botones u otros objetos pesados. (Lea la guía de funcionamiento-sonidos normal de funcionamiento).
- Sonido de chillido: Se debe a tina de lavado sobrecargada.
- Sonido de vibración: Se debe a no nivelar la lavadora correctamente sobre el piso y la distribución dispereja de ropa dentro de la tina.

Problemas con la ropa:

- La ropa está muy arrugada: Esto se debe a separación incorrecta, sobrecarga, y lavando en agua demasiado caliente múltiples veces. Evite sobrecargar y vuelva

a clasificar y separar su ropa. No mezcle ropa gruesa como ropa de trabajo con ropa ligera como blusas, camisa ligeras, y artículos delicados. Es posible que tenga que usar agua fría o tibia.

- Residuo de jabón: Puede ser que el detergente no se esté disolviendo en el agua. Compruebe la temperatura del agua. Use menos detergente.
- Pecas y manchas en la ropa: Esto se debe al uso incorrecto de suavizante. Quizas necesite leer las instrucciones correctas en el envase del detergente y seguir los pasos correctos para el uso del suavizante.
- La ropa se ha vuelto gris o amarilla: Esto se debe a no haber usado suficiente detergente para una carga muy grande. Puede necesitar añadir más detergente a la carga.
- La ropa está rasgada o tiene hoyos/ uso y rotos excesivos: Esto se debe a objetos afilados como hebillas de cinturones y pinzas olvidados dentro de los bolsillos. Necesitará quitar objetos sueltos pequeños. Asegure cinturones, cremalleras, broches de metal, etc.

La secadora no funciona:

- Compruebe que el aparato esté conectado. El enchufe pudo haberse aflojado.
- Controle si es necesario reiniciar el interruptor automático o si es necesario cambiar el fusible.
- Verifique que se haya elegido el ciclo de secado.
- Controle que la puerta no esté abierta.

La secadora funciona pero no seca las prendas:

- La unidad puede estar sobrecargada. El tambor de la secadora debe estar lleno sólo hasta la mitad durante el ciclo de secado. Esto permite que las prendas den vueltas.
- Asegúrese de que el filtro esté limpio y sin polvo.
- Es necesario reclasificar la carga de la secadora. Es probable que las prendas pesadas deban separarse de las prendas normales.
- Es probable que las prendas voluminosas deban ser colocadas nuevamente.
- Si las prendas no se secan de forma pareja, es probable que deba reclasificar las prendas de la secadora.

La secadora hace ruidos cuando seca:

- Es posible que el ruido sea ocasionado por fichas, monedas, botones u otros objetos pesados.
- Es probable que sea necesario nivelar la unidad. Consulte en la guía de funcionamiento: Sonidos de un funcionamiento normal.

Estática:

- Causada por el secado excesivo. Regule un tiempo de secado más corto.
- Mezcle con telas sintéticas. Clasifique y separe las distintas telas.
- Utilice un suavizante para la ropa.

ESPECIFICACIONES TÉCNICAS

HWD1600	
Alimentación	120VAC 60Hz
Corriente de funcionamiento máxima (A)	12
Presión del agua (PSI)	0.05~1MPa
Potencia de lavado (W)	230
Potencia de centrifugado (W)	290
Velocidad de centrifugado (RPM)	1000
Tamaño (Altura, Profundidad, Ancho)	33-7/16" x 23-5/8" x 23-7/16"
Peso (libras)	Neta: 196 Bruta: 209
Capacidad de lavado (IEC, Comisión Internacional Electrotécnica)	1.8 cu. ft.

GARANTÍA LIMITADA

Servicio Domiciliario

Garantía Completa por UN año

Por 12 meses desde la fecha de la compra original, Haier reparará o reemplazará cualquier pieza sin cargo adicional, incluyendo labores que fallan a causa de defectos en los materiales o mano de obra.

Garantía Limitada

Después de un año de la compra original, Haier proporcionará piezas sin costo alguno, como se indica abajo, para reemplazar la pieza en cuestión como resultado de un defecto en materiales o mano de obra. Haier se responsabiliza únicamente por el costo de la pieza. Todos los otros gastos así como de labor, transportación, etc. Son la responsabilidad del dueño.

Segundo hasta el Quinto año

Haier ofrece el montaje de el gabinete por si el gabinete de gasta en óxido.

Segundo hasta el Décimo año

Haier proporcionará la tina de lavado interior hecha de acero inoxidable.

Nota: La garantía comienza el día en que el aparato es comprado y el recibo original de la compra tiene que ser presentada a un personal autorizado de servicios antes de que se actualizen reparos bajo la garantía.

Excepciones: Garantía Para Uso Rentado o Commercial

Labores por 90 días de la fecha de compra original.

Piezas por 90 días de la fecha de compra original.

Ninguna otra garantía aplica.

Para Servicio de garantía

Póngase en contacto con su centro de servicios autorizado más cercano. Todo servicio debe ser proporcionado por un centro de servicios autorizado Hair. Para obtener el nombre y número de teléfono de su centro de servicios autorizado más cercano, por favor llame al 1-877-337-3639.

Antes de llamar, por favor tenga a mano la siguiente información:

Número de modelo y número de serie de su electrodoméstico. El nombre y la dirección del comerciante que le vendió el aparato, y la fecha de la compra. Una descripción clara del problema. Una prueba de la compra (el recibo de compra).

Esta Garantía cubre electrodomésticos dentro de los Estados Unidos continentales, Puerto Rico, y Canadá.

Que es lo que no cubre esta garantía:

Reemplazo o reparación de fusibles caseros, interruptor diferencial, instalaciones eléctricas, o tuberías. Un producto que no tiene su número de serie original, siendo quitada o cambiada.

Cualquier gasto de servicio no específicamente identificado como normal, así como horas de servicio o áreas de servicio normales.

Daños a ropas.

Daños contraídos durante el transporte

Daños causados por instalación o mantenimiento incorrecto.

Daños causados por mal uso, abuso, accidentes, incendios, inundaciones, o fuerzas de la naturaleza.

Daños causados por intentos de reparo hechos por personas fuera de centros de servicio o un comerciante de Haier autorizado.

Daños resultando de uso de voltaje incorrecto, corriente eléctrica inapropiado, o fuente.

Daños resultando de modificaciones, o alteraciones al producto no autorizadas por Haier.

Ajuste de los controles operados por el consumidor a como se identifican en el manual del usuario. Mangueras, pomos y palancas, bandejas de pelusas y todo accesorio y piezas desechables. Labor, transportación de los servicios, y cargos de transporte para quitar y reemplazar piezas con defectos más allá del periodo inicial de 12 meses. Daño causado por usos fuera de los normales y cotidianos. Cualquier cargo adicional de transportación y transporte.

ESTA GARANTÍA LIMITADA SE DA EN LUGAR DE CUALQUIER OTRA GARANTÍA, ÉXPlicito O INCLUYENDO LA GARANTÍAS DE COMERCIO Y DE BUENA FORMA PARA UN PROPÓSITO PARTICULAR.

El remedio proporcionada en esta garantía es exclusiva y dada en lugar de cualquier otro remedio. Esta garantía no cubre daños secundarios o consecuentes, entonces es posible que las limitaciones anteriores no le apliquen a Ud. Algunos estados no permiten limitaciones en el tiempo que dura una garantía implícita, entonces las limitaciones anteriores puede que no le apliquen. Esta garantía le da derechos legales específicos, y podría tener tener otros derechos que varían de estado en estado.

Haier America
New York, NY 10018

IMPORTANT

Do Not Return This Product To The Store

If you have a problem with this product, please contact the "Haier Customer Satisfaction Center" at 1-877-337-3639.

DATED PROOF OF PURCHASE REQUIRED FOR WARRANTY SERVICE

IMPORTANT

Ne pas Réexpédier ce Produit au Magasin

Pour tout problème concernant ce produit, veuillez contacter le service des consommateurs 'Haier Customer Satisfaction Center' au 1-877-337-3639.

UNE PREUVE D'ACHAT DATEE EST REQUISE POUR BENEFICIER DE LA GARANTIE.

IMPORTANTE

No regrese este producto a la tienda

Si tiene algún problema con este producto, por favor contacte el "Centro de Servicio al Consumidor de Haier" al 1-877-337-3639 (Válido solo en E.U.A).

NECESITA UNA PRUEBA DE COMPRA FECHADA PARA EL SERVICIO DE LA GARANTIA

120V~60Hz

**Made in China
Fabriqué en Chine
Hecho en China**

Haier

**Haier America
New York, NY 10018**

Printed in China