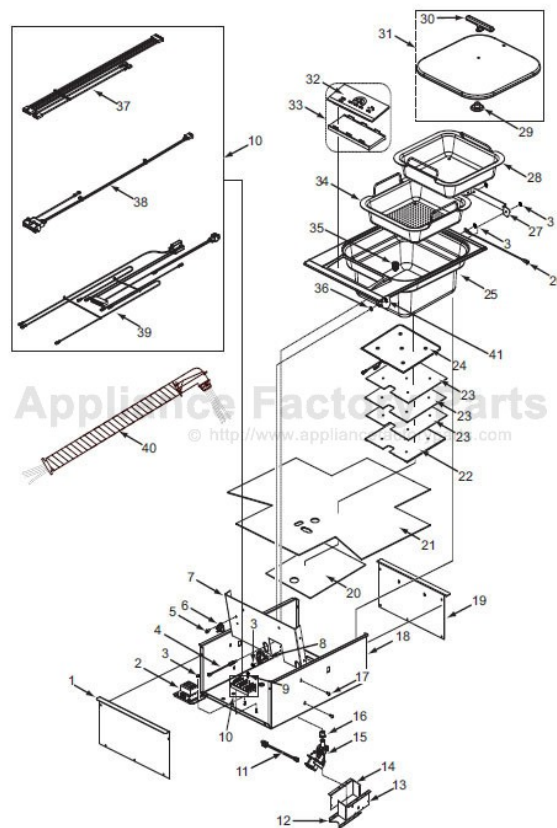


This Owner's Manual is provided and hosted by [Appliance Factory Parts](http://www.appliancefactoryparts.com).



# Wolf IS15E Owner's Manual

[Shop genuine replacement parts for Wolf IS15E](#)



[Find Your Wolf Electric Range Parts - Select From 82 Models](#)

----- Manual continues below -----

**15" ELECTRIC STEAMER COOKTOP PARTS LIST**

<u>Ref #</u>	<u>Part #</u>	<u>Description</u>
1	802547	Box, Front
2	813360	Transformer, Module
3	800418	#8-32 Hex Nut W/Lock Washer
4	807502	RTD, Module Main Temp
5	801542	Screw, 8-18 x 3/8" Type B H/W/Hd
6	804222	Triac
7	804409	Baffle, Steamer/Fryer HeatS
	813362	Baffle, Steamer/Fryer Heat *ICB
8	806135	Thermodisc, Steamer 201°F
9	800906	Screw, 6-32 x 1/2" w/Lockwasher
10	808414	Harness, Module Power Supply w/Terminal Block
	813363	Harness, Module Power Supply (w/Terminal Box) *ICB
11	809112	Harness , Steamer Valve
12	805061	Valve Hsg, Top
13	805054	Valve Hsg, Right Side
14	805056	Valve Hsg, Left Side
15	808829	Valve, Steamer Actuated
16	805062	Grommet, Valve Mounting
17	730239	Screw, #8 X 3/8" Mod. Truss Hd
18	805053	Box, Steamer Burner
	813367	Box, Fryer Burner *ICB
19	802549	Box, Rear
20	802550	Insulation, Module Element
21	802546	Insulation, Steamer/Fryer
22	801877	Plate, Element Backing
23	806136	Insulation, Steamer/Fryer Heater
24	810000	Element, Steamer/Fryer
25	805042	Pan, Weld Assy Steamer
26	805929	RTD, Steamer Fill Sensor
27	804220	Bracket, Steamer/Fryer, Rear
28	804762	Pan, Solid Assy
29	802560	Handle, Inner Cover
30	801384	Handle, Module Cover
31	808882	Lid, Steamer Glass Assy
32	802561	Glass, Steamer Assy
33	812052	Control Assy, Steamer
	813365	Control Assy, Fryer *ICB
34	804761	Pan, Perforated Assy
35	805684	Drain Strainer Steamer Module
36	800246	Washer, Teflon .06 x .26 x .5"
37	808414	Harness, Module Power Supply
38	808415	Harness, Module Cover
39	808412	Harness, Steamer Element
	813366	Harness, Steamer Element *ICB
40	804743	Power Cord Conduit, Module
41	806003	1/4" - 20 Keps Nut SS, RTD

**Not Shown**

804555 Hold Down Clamp Hdw, Module

**15" ELECTRIC STEAMER COOKTOP EXPLODED VIEW**

