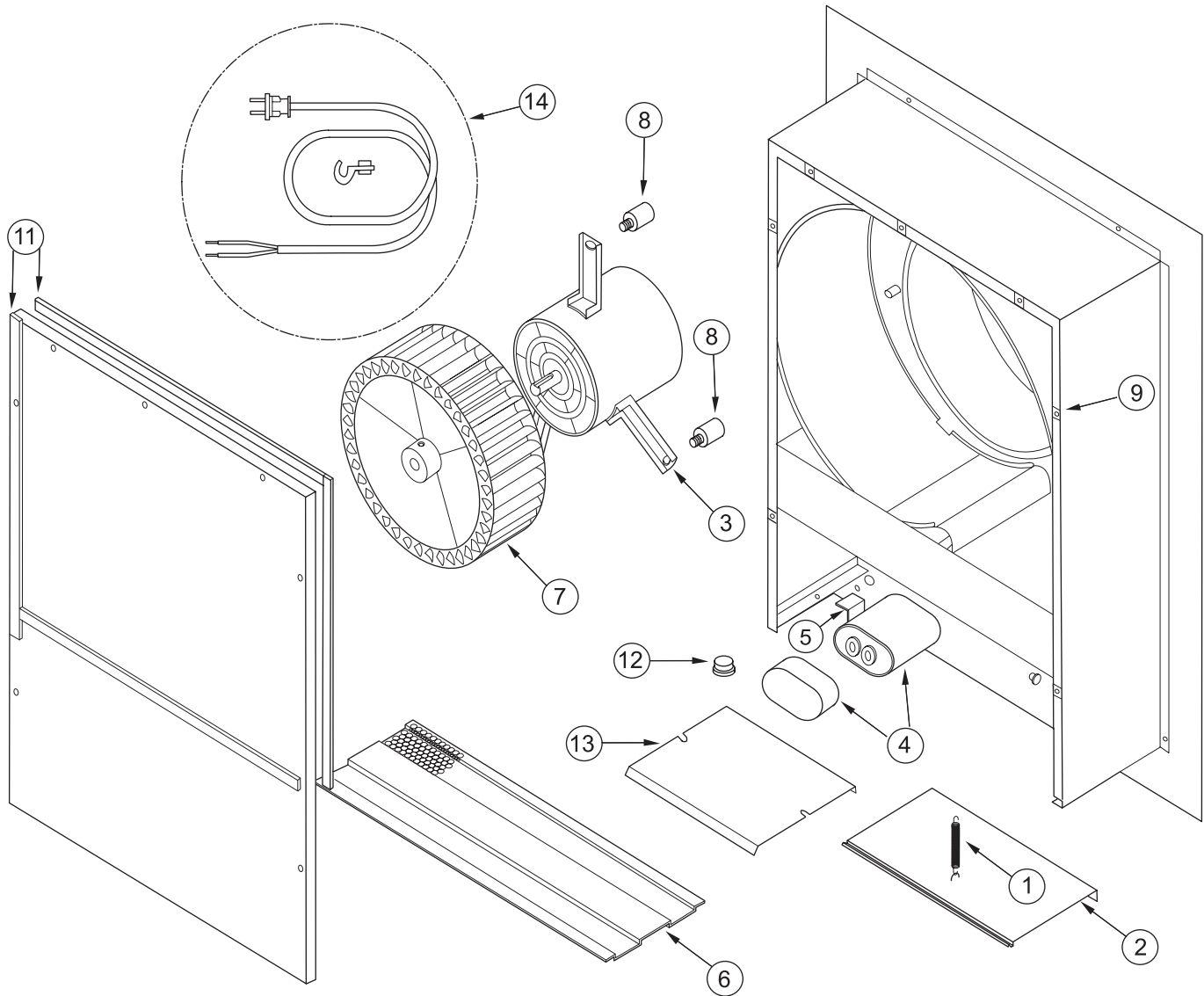


EXTERNAL MODELS 801640 (600CFM) / 801641 (900CFM)



Ref #	Part #	Description
1.	804767	Spring, Damper
2.	804769	OB Cover, Hood
3.	803101	Motor W/Capacitor (801640 - 600CFM)
	803107	Motor W/Capacitor (801641 - 900CFM)
4.	803102	Capacitor
5.	803106	Capacitor Clamp
6.	804770	Grille, Hood

Ref #	Part #	Description
7.	803103	Blower Wheel (801640 - 600CFM)
	803104	Blower Wheel (801641 - 900CFM)
8.	803105	Isolator-Motor Mount-600/900EX (3)
9.	804774	Clip, Tinnerman (Set of 7)
10.	804771	Cover Assy, w/Foam Seal, Hood
11.	804772	Foam Seal, Hood
12.	804773	Bushing, Hayco (Set of 2)
13.	804769	OB Cover, Hood
14.	805515	Blower Power Cord Assy