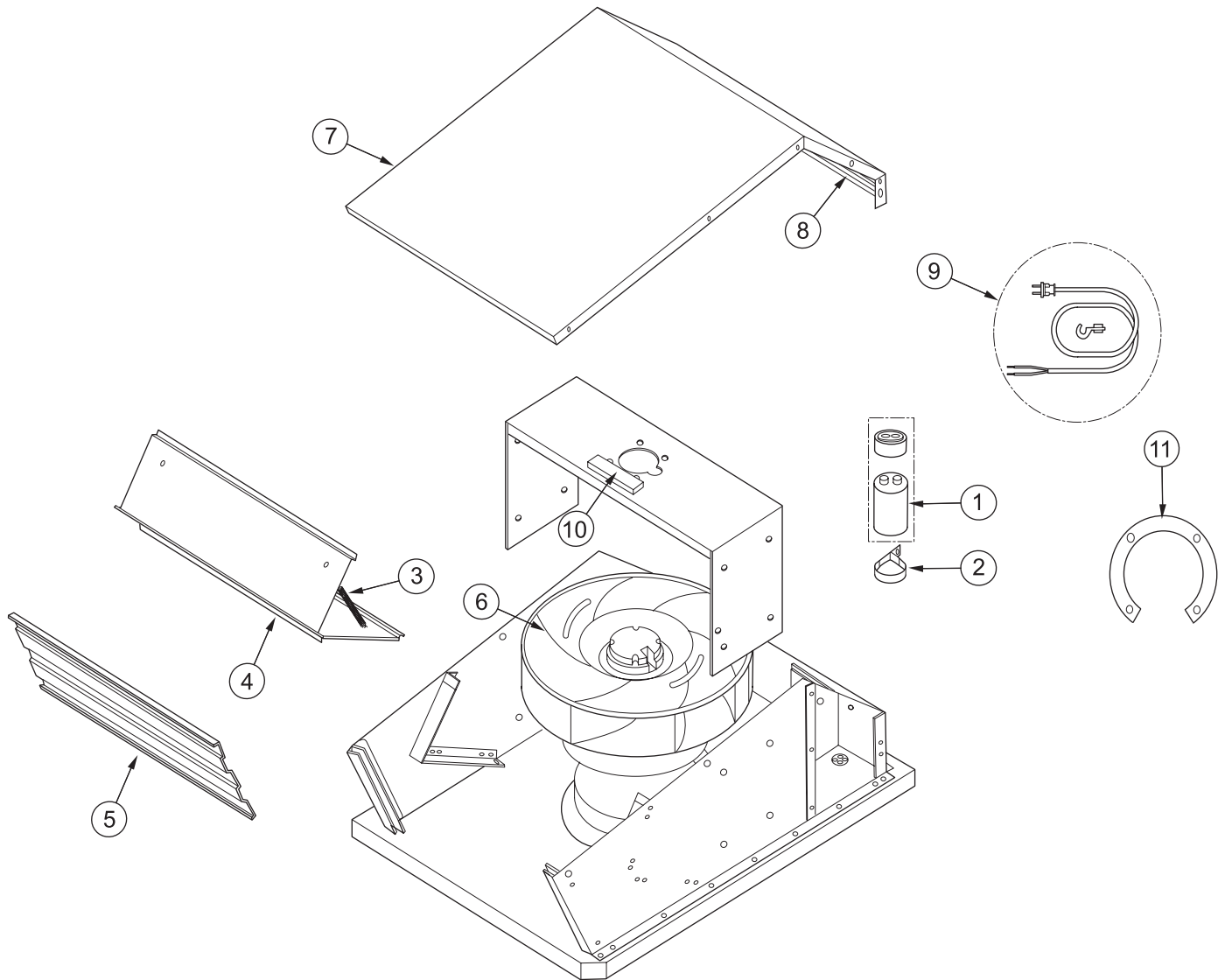


EXTERNAL MODELS 801642 (1200 CFM) / 804701 (1500 CFM)



<u>Ref #</u>	<u>Part #</u>	<u>Description</u>
1.	803108	Capacitor (801642 - 1200CFM)
	804777	Capacitor (804701 - 1500CFM)
2.	803109	Capacitor Clamp
3.	804767	Spring, Damper
4.	804781	Damper Flap 1200 EXT (Set of 2)
	804782	Damper Flap 1500 EXT (Set of 2)
5.	804778	Grille 1200 EXT
	804780	Grille 1500 EXT

<u>Ref #</u>	<u>Part #</u>	<u>Description</u>
6.	803110	Blower Assy 1200 EXT
	804783	Blower Assy 1500 EXT
7.	804786	Cover, Blower w/Foam Seal 1200 EXT
	804787	Cover, Blower w/Foam Seal 1500 EXT
8.	804779	Foam Seal
9.	805515	Blower Power Cord Assy
10.	804788	Pad, Foam, 1" X 5"
11.	804784	Spacer Ring-1200EX