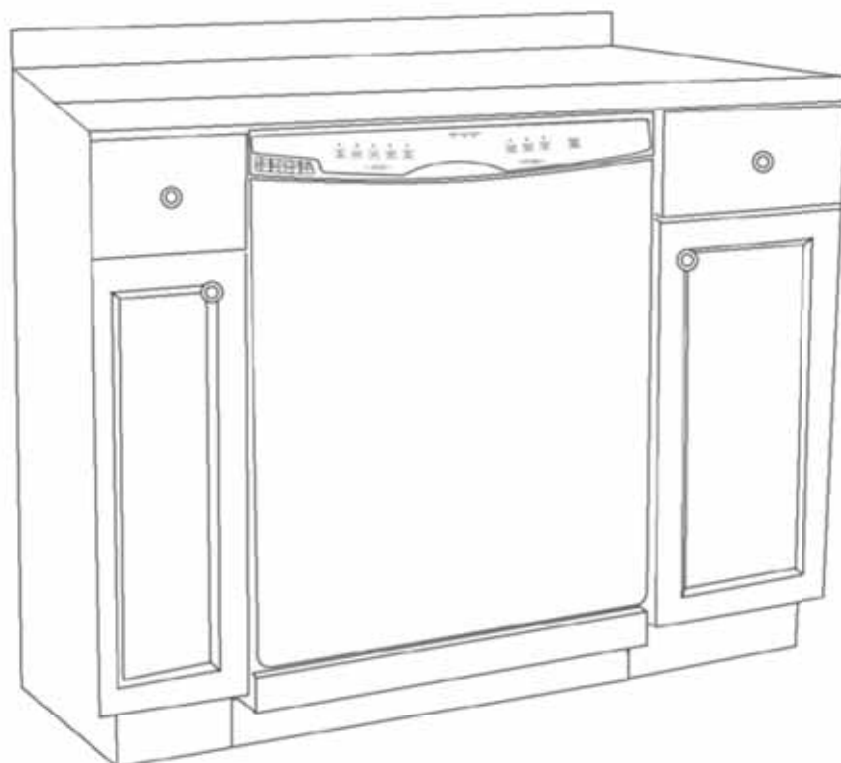


Dishwasher Installation

Instalación del lavavajillas

Installation du lave-vaisselle

Part # DW-7777-01



Haier

Quality · Innovation · Style

TABLE OF CONTENTS

	PAGE
SAFETY PRECAUTIONS	2
Before Using Your Dishwasher.....	3
 UNDER COUNTER DISHWASHER INSTALLATION INSTRUCTIONS	
WHAT DO I NEED TO HAVE TO INSTALL THE DISHWASHER?.....	5-10
Tools, parts & materials	5-6
Cabinet Requirements	7
Cabinet Dimensions	10
 WHAT DO I NEED TO DO BEFORE I INSTALL THE DISHWASHER?	 11-19
Prepare cabinet	11
Prepare dishwasher.....	15
 HOW DO I INSTALL THE DISHWASHER?	 19-23
Connect dishwasher	19
Secure dishwasher	22
Install Cabinet Seal	23
Install additional sound insulation	24
Check operation	25

SAFETY PRECAUTIONS

Warning! – To reduce the risk of fire, electric shock, or injury to persons, always exercise basic safety precautions, including the following:

1. Read all instructions before using the appliance.
2. Use the dishwasher only for its intended function.
3. Use only detergents or rinse agents recommended for use in a dishwasher, and keep them out of the reach of children.
4. When loading items to be washed:
 - 1) Locate sharp items so that they are not likely to damage the door seal;
 - 2) Load sharp knives with the handles up to reduce the risk of cut-type injuries.
5. Do not wash plastic items unless they are marked “dishwasher safe” or the equivalent. For plastic items not so marked, check the manufacturer’s recommendations.
6. Do not touch the heating element during or immediately after use.
7. Do not operate the dishwasher unless all enclosure panels are properly in place.
8. Do not tamper with controls.
9. Do not abuse, sit on, or stand on the door, lid, or dish racks of the dishwasher.
10. To reduce the risk of injury ,do not allow children to play in or on the dishwasher.
11. Under certain conditions, hydrogen gas may be produced in a hot water system that has not been used for two weeks or more. **HYDROGEN GAS IS EXPLOSIVE.** If the hot water system has not been used for such a period, before using the dishwasher turn on all hot water faucet’s and let the water flow from each for several minutes, This will release any accumulated hydrogen gas. As the gas is flammable, do not smoke or use an open flame during this time.
12. Remove the door or lid to the washing compartment when removing an old dishwasher from service or discarding it.

Thank you for using our Haier product. This easy-to-use manual will guide you in getting the best performance from your Haier Dishwasher.

Remember to record the model and serial number. They are on a label in the dishwasher.

Staple your receipt to your manual.

You will need it to obtain warranty service.

Model number

Serial number

Date of purchase

BEFORE USING YOUR DISHWASHER

IMPORTANT: READ AND SAVE THESE INSTRUCTIONS

Doing so will:

- make installation easier.
- help you in the future if you have questions.
- help if you have an electrical inspection.

Call your dealer when you have questions or need service. When you call, you will need the dishwasher model and serial numbers.

This is the safety alert symbol.



This symbol alerts you to potential hazards that may seriously injure you and others.

All safety messages follow the safety alert symbol and either the word "DANGER" or "WARNING"



DANGER

YOU CAN BE SERIOUSLY INJURED
IF YOU DO NOT FOLLOW
INSTRUCTIONS IMMEDIATELY.



WARNING

YOU CAN SERIOUSLY INJURED IF YOU
DO NOT FOLLOW INSTRUCTIONS.

All safety messages will tell you what the potential hazard is,
how to reduce the chance of injury and what can happen
if the instructions are not followed.

YOU NEED TO

- Carefully open dishwasher door while someone grasps the rear of the dishwasher. Remove shipping materials and lower rack. Close dishwasher door. Latch the dishwasher door shut.
- Install this dishwasher as specified in these instructions.
- Have everything you need (tools, materials, parts) to properly install dishwasher.
- Contact a qualified person to carry out installation. Installation must be performed by a qualified service technician. The dishwasher must be installed to meet all local codes and ordinances for electrical and plumbing connections.

TOOLS AND MATERIALS NEEDED

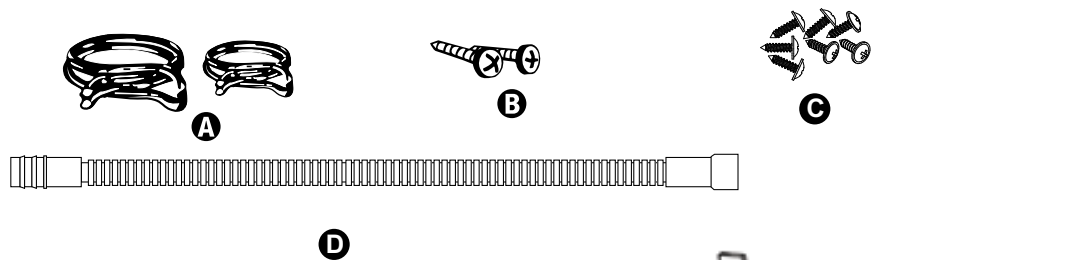
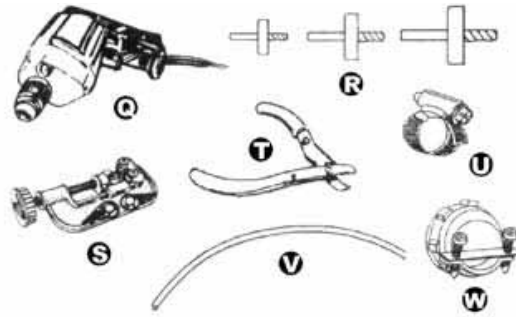
ALL INSTALLATIONS



- A. Pliers
- B. Phillips screwdriver
- C. 5/8" open end wrench
- D. Measuring tape or ruler
- E. 10" adjustable wrench that opens to 1 1/8" (2.9cm)
- F. Flat-blade screwdriver
- G. Gloves
- H. Utility knife
- I. 2 twist-on wire connectors which are the proper size to connect your household wiring to 16-gauge wiring in dishwasher
- J. Small level
- K. Safety glasses
- L. 90° elbow with 3/8" (0.9cm) N.P.T external threads on one end. (The other end must fit your water supply line.)
- M. Flashlight
- N. Teflon® tape or pipe joint compound
- O. Shallow pan
- P. Shim stock (if installed with built-up floor)

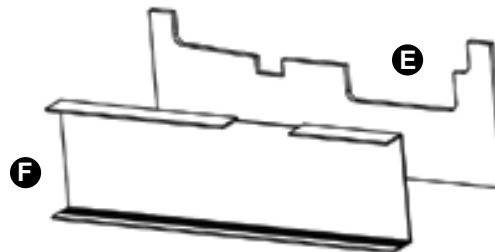
IN ADDITION FOR NEW INSTALLATIONS

- Q. Electric drill with
- R. $\frac{1}{2}$ " , $\frac{3}{4}$ " and $1\frac{1}{2}$ " hole saw bits
- S. Small tubing cutter
- T. Wire stripper
- U. $1\frac{1}{2}$ "- 2" screw-type clamp if connecting to waste-tee
- V. Copper tubing ($\frac{3}{8}$ " recommended) or flexible stainless steel braided fill line
- W. Clamp connector or conduit connector to fit a $\frac{7}{8}$ " (2.2cm) diameter hole



PARTS SUPPLIED

- A. 2 drain hose clamps
 - 1-large
 - 1-small
 - B. 2 Self-Tapping 4.2 X 18 Philip's-head screws
 - C. 7 Self-Tapping 3.5 X 13 Philip's-head screws
 - D. Drain hose
 - E. Sound pad (DWL3525, 4035 and 7075 models only)
 - F. Sound Mat (DWL4035 and 7075 models only)
- Make sure all these parts are included.



CABINET REQUIREMENTS

Do not run water drain lines or electrical wiring where they can interfere with or contact dishwasher motor or legs.

The location where the dishwasher will be installed must provide clearance between motor and flooring.

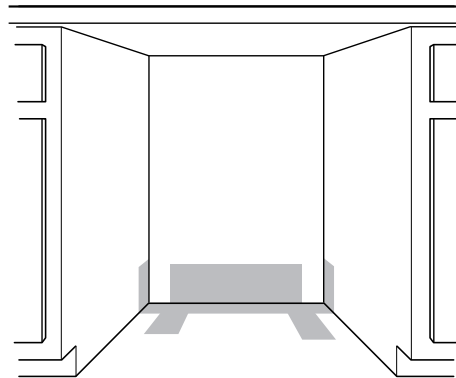
Do not install dishwasher over carpeted flooring.

Protect dishwasher and water lines leading to dishwasher against freezing. Damage from freezing is not covered by the warranty.

CHECK LOCATION WHERE DISHWASHER WILL BE INSTALLED. THE LOCATION MUST PROVIDE

- Easy access to water, electricity and drain.
- Convenient loading.
- Corner locations require a 2" (5.1 cm) minimum clearance between the side of the dishwasher door and wall or cabinet.
- Square opening for proper operation and appearance.
- Cabinet front perpendicular to floor.
- Level floor. If floor at front of opening is not level with floor at rear of opening, shims may be needed to level dishwasher.

Note: Shims must be securely attached to floor to prevent their movement when dishwasher is being operated. If dishwasher will be left unused for a period of time or in a location where it may be subject to freezing, have it winterized by authorized service personnel. Make sure pipes, wires and drain hose are within the shaded area shown in diagram. See page 10 for dimensions.



HELPFUL TIP:

If the floor at the cabinet opening is uneven (example: tile flooring only part way into cabinet) you will need to take special care in measuring dimensions and in leveling dishwasher.

ELECTRICAL

It is the customer's responsibility to contact a qualified electrician to ensure that the electrical installation is adequate and conforms with all national and local codes and ordinances.

You must have:

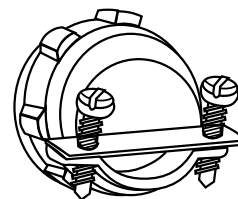
- 120-volt, 60Hz, AC-only, 15- or 20-amp., fused electrical supply.
- COPPER WIRE ONLY.

We recommend:

- A time-delay fuse or circuit breaker.
- A separate circuit.

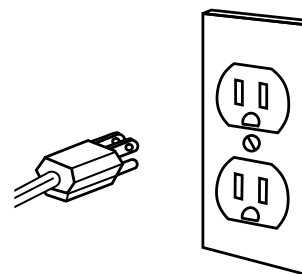
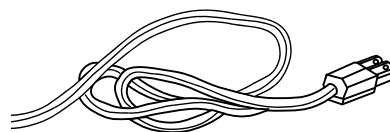
IF DIRECT-WIRING DISHWASHER

- Use flexible, armored or non-metallic sheathed copper wire with grounding wire that meets the wiring requirements for your home and local codes and ordinances.
- Use strain relief method provided with house wiring junction box or install a UL-listed/CSA-certified clamp connector to the house wiring junction box. If using conduit, use a UL-listed/CSA-certified conduit connector.



IF CONNECTING DISHWASHER WITH A POWER SUPPLY CORD

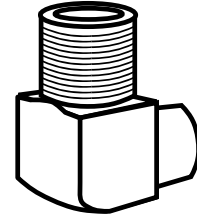
- Use a UL-listed, 16-gauge, three-conductor power supply cord that meets all local codes and ordinances. Maximum length of the power supply cord is 6 feet (1.8m).
- A clamp connector to fit a $\frac{7}{8}$ " (2.2cm) diameter hole is required to secure power supply cord to dishwasher terminal box.
- Power supply cord must plug into a mating three-prong, grounded outlet located in the cabinet next to the dishwasher opening. Outlet must meet all local codes and ordinances.



WATER

YOU MUST HAVE

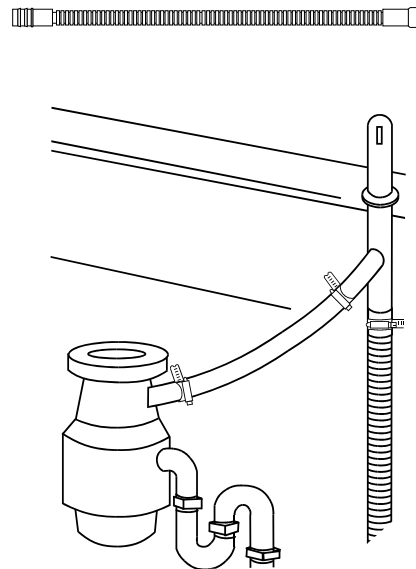
- A hot water line with 20-120 psi (138-862 kPa) water pressure.
- Inlet water temperature 120° F(49° C) minimum at the dishwasher is recommended.
- $\frac{3}{8}$ " (0.9cm) O.D. tubing with compression fitting or flexible stainless steel braided fill line ($\frac{1}{2}$ " (1.3cm) minimum plastic tubing is optional but not recommended).
- A 90° elbow with $\frac{3}{8}$ " (0.9cm) N.P.T. external pipe threads on one end. Do not solder within 6" (15.2cm) from water inlet valve.



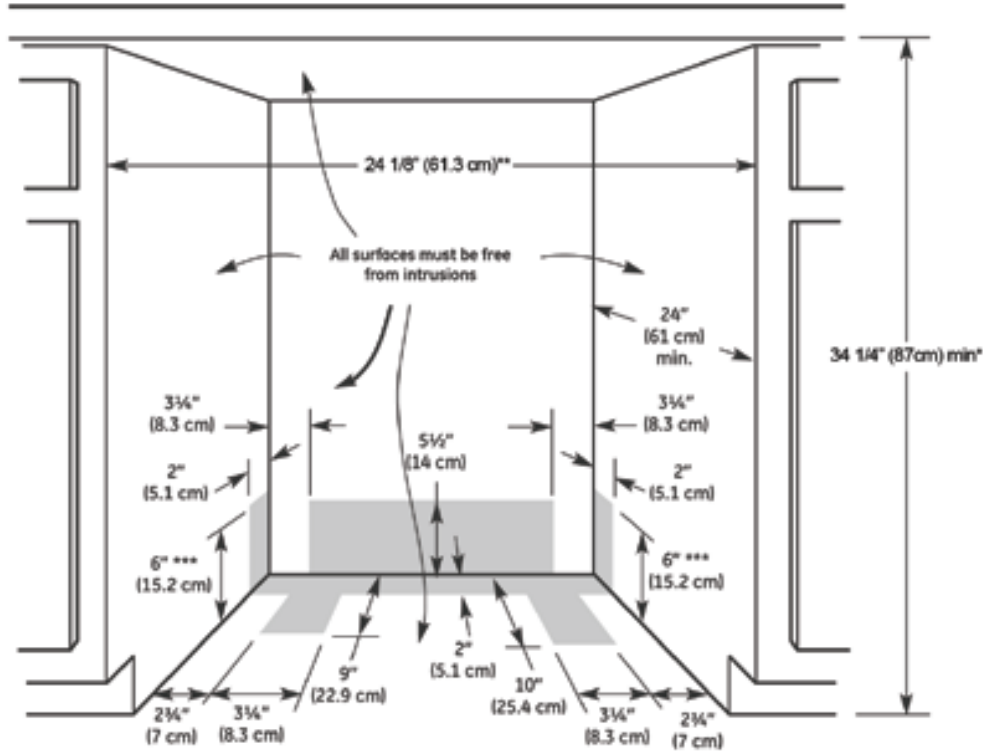
DRAIN

YOU MUST HAVE

- Use the new drain hose supplied with your dishwasher. If this is not suitable, use a new drain hose with a maximum length of 12 feet (3.7m) that meets all current AHAM / IAPMO test standards, is resistant to heat and detergent, and fits the drain connector on your dishwasher.
- Have a high drain loop 30 inches (76.2cm) above the subfloor or floor.
- Connect drain hose to waste tee or disposer inlet above drain trap in house plumbing and 20 inches (50.8cm) minimum above the floor.
- Use an air gap in the drain line if the drain hose is connected to house plumbing lower than 20 inches (50.8cm) above subfloor or floor.
- Use $\frac{1}{2}$ " (1.3cm) minimum I.D. drain line fittings.



CABINET DIMENSIONS



Cut openings in shaded area of cabinet walls or floor as specified in chart:

OPENING FOR	DIAMETER
Water line	1/2" (1.3cm)
Drain line	1 1/2" (3.8cm)
Direct wire	3/4" (1.9cm)
Power Supply Cord	1 1/2" (3.8cm)

* Measured from the lowest point on the underside of countertop. May be reduced to 34 1/8" (86.7 cm) by removing adjustable foot from dishwasher.

** Minimum, measured from narrowest point of opening.

*** Maybe increased to 6 7/8" (17.5cm) if height of opening is 34 1/2" (87.6cm) at lowest point.

⚠ WARNING

Electrical Shock Hazard

Disconnect electrical power at the fuse box or circuit breaker box before installing dishwasher.

Failure to do so can result in death or electrical shock.

Do not use an extension cord or adapter plug with this appliance.

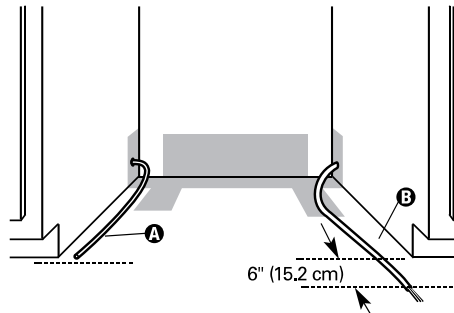


PREPARE CABINET

1. Disconnect the power supply. Turn water off. Put on gloves and safety glasses.

2. If you are replacing a dishwasher:

- Check that the water line "A" reaches to the back left of opening where the water connection will be made.
- Check that the direct line "B" reaches to the back left of opening where the electrical connection will be made.



If the water line and the direct wire reach into the opening far enough, go to step 10, page 13.

If you are installing a new dishwasher, complete all of the following steps:

Electrical

Follow all national and local codes and ordinances for completing electrical supply to cabinet.

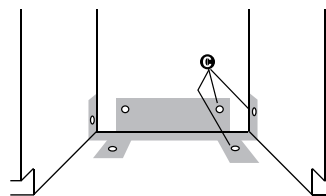
If you are:	Use steps:
Direct Wiring	3, 4 and 5
Using a power supply cord	3a and 4a

HELPFUL TIP:

Wiring the dishwasher will be easier if you route wire into the cabinet opening from the left side.

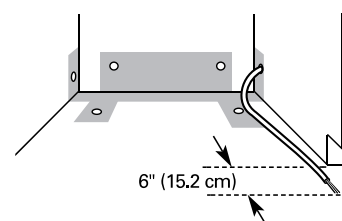
3. DIRECT WIRE METHOD:

Cut a $\frac{3}{4}$ " (1.9cm) hole "C" in right hand cabinet side, rear or floor. Optional locations are shown. Wood Cabinet: Sand hole until smooth.

**3a. POWER SUPPLY CORD METHOD:**

Cut a $1\frac{1}{2}$ " (3.8cm) hole "D" in right-hand cabinet rear or side. Optional locations are shown. Wood cabinet: Sand hole until smooth.

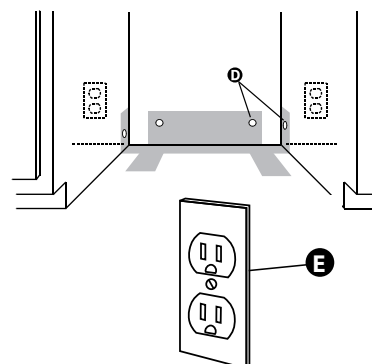
4. Run wire into house wiring junction box. Use strain relief method provided with junction box. If no strain relief is provided, install a UL-listed/CSA-certified clamp connector for flexible-type wire. If installing conduit, attach a UL-listed/CSA-certified conduit connector to junction box.



4a. Install a mating, three-prong, grounding-type wall receptacle "E" in the cabinet next to the dishwasher opening. Go to step 6.

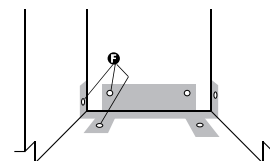
5. Run other end of wire through cabinet hole. Cable must extend to the left front of cabinet opening. Go to step 6.

Install a mating, three-prong, grounding-type wall receptacle "E" in the cabinet next to the dishwasher opening. Go to step 6.

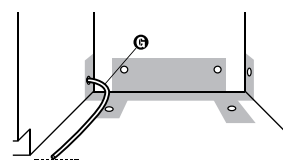
**WATER LINE****HELPFUL TIP:**

Routing the water line through the left side of cabinet opening will make water connection easier.

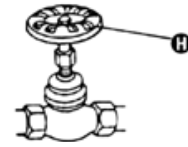
6. Cut a $\frac{1}{2}$ " (1.3 cm) minimum hole "F" in left-hand cabinet side, rear or floor. Optional locations are shown. (The hole "F" is about $1\frac{3}{5}$ " higher than hole "C" or hole "D")



7. Measure total length of copper tubing "G" required. Attach copper tubing to water line with manual shut-off valve. Carefully feed copper tubing through hole in cabinet (copper tubing will bend and kink easily) until it is far enough into the cabinet opening to connect it to dishwasher inlet on the front left of dishwasher.



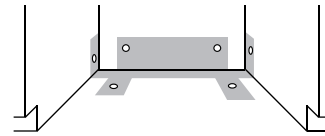
8. Turn shutoff valve "H" to "ON" position. Flush water into a bucket to get rid of particles that may clog the inlet valve.



9. Turn shut-off valve to "OFF" position

DRAIN HOSE

10. Cut a 1-1/2" (3.8cm) diameter hole in cabinet wall or floor on the side of the opening closest to the sink.



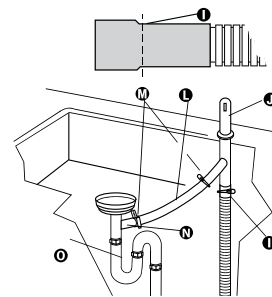
11. Connect drain hose to waste tee or waste disposer following one of the following methods:

a waste disposer	an air gap	11a.
	no air gap*	11c.
no waste disposer	an air gap	11b.
	no air gap*	11d.

*An air gap is recommended

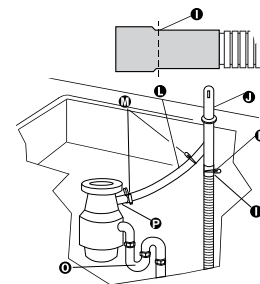
11a. WASTE DISPOSER & AIR GAP

1. Remove the disposer knockout plug. Cut end of drain hose "I" if needed (do not cut ribbed section).
2. Attach drain hose to air gap "J" with large spring-type clamp "K". If the drain hose was cut, use a 1-1/2" to 2" (3.8 to 5 cm) screw-type clamp*.
3. Use a rubber hose *connector "L" with spring or screw-type clamps* "M" to connect air gap to disposer inlet "N". The connection "N" MUST be made before drain trap "O" and at least 20" (50.8cm) above the floor where dishwasher will be installed. Go to step 12.



11b. NO WASTE DISPOSER & AIR GAP

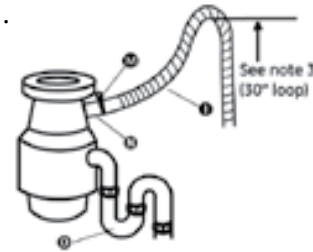
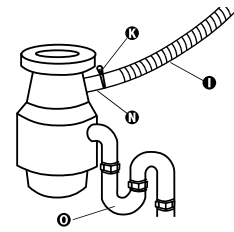
1. Cut end of drain hose "I" if needed (do not cut ribbed section).
2. Attach drain hose to air gap "J" with large spring-type clamp. If the drain hose was cut, use a 1-1/2" to 2" (3.8 to 5 cm) screw-type clamp*.
3. Use a rubber hose *connector "L" with spring or screw-type *clamps "M" to connect air gap to waste tee "P". This connection "P" MUST be made before drain trap "O" and at least 20" (50.8 cm) above the floor where dishwasher will be installed. Go to step 12.



* Parts available from local plumbing supply stores.

1 1c. WASTE DISPOSER - WITH NO AIR GAP

1. Remove the disposer knockout plug.
Do not cut end of drain hose.
2. Attach drain hose "I" to disposer inlet "N" with large spring-type clamp "K".
This connecting "N" MUST be made before drain trap "O" and at least 20" (50.8 cm) above the floor where dishwasher will be installed.
3. The drain hose must be looped up and securely fastened to the underside of the counter before going to the drain.
Hose loop must be a minimum 30 inches (76.8cm) above floor. (Go to step 12)



1 1d. NO WASTE DISPOSER - WITH NO AIR GAP

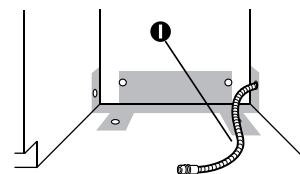
1. Cut end of drain hose "I" (do not cut ribbed section).
2. Attach drain hose to waste tee "P" with 1-1/2" to 2" (3.8 to 5 cm) screw-type clamp* "M". The connection "P" MUST be made before drain trap "O" and at least 20" (50.8 cm) above the floor where dishwasher will be installed.
3. The drain hose must be looped up and securely fastened to the underside of the counter before going to the drain. Hose loop must be a minimum 30 inches (76.8cm) above floor. (Go to Step 12)

HELPFUL TIP:

To reduce the vibration of the hose, keep the hose away from the floor and the edge of the hole where it passes through the cabinet.

* Parts available from local plumbing supply stores.

Insert drain hose "I" into hole cut in cabinet and guide toward the back center of opening where drain connection will be made.



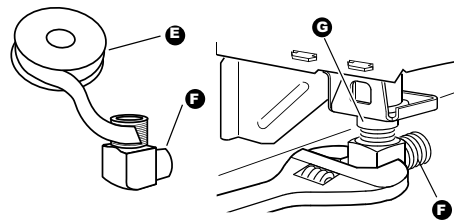
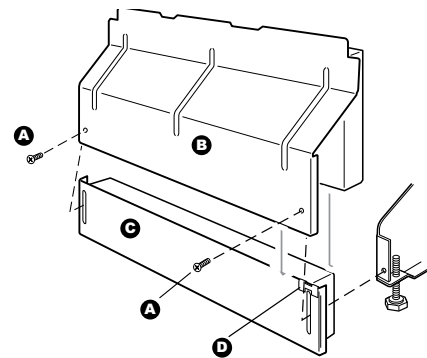
PREPARE DISHWASHER**! WARNING****Tip Over Hazard**

Do not use dishwasher until completely installed.
Do not push down on open door. Doing so can result in serious injury.

**! WARNING****EXCESSIVE WEIGHT HAZARD**

Use two people to move and install dishwasher. Failure to do so can result in back or other injury.

1. Grasp sides of dishwasher door and place dishwasher on its back.
2. Remove two screws "A" attaching access panel "B" and lower panel "C" to dishwasher using a 1/4" hex socket, nut driver or Philip's screwdriver. Remove panels and set panels aside in a safe place. Make sure that grounding clip "D" is attached to the lower panel.
3. Apply pipe joint compound "E" to 90° elbow fitting "F" and connect fitting to water inlet valve "G". Tighten elbow until snug, making sure that it faces to the rear.



HELPFUL TIP:

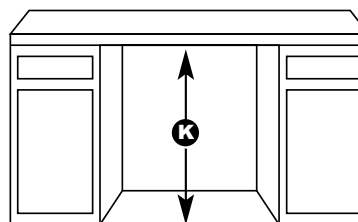
Put cardboard under dishwasher until it is installed. The cardboard will help protect floor during installation.

4. Remove terminal box cover "H". Pull appliance wires "I" through hole in terminal box. Do not untie the knot in the wires.

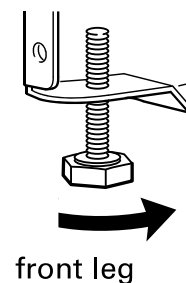
If you are direct wiring: install a UL-listed/CSA-certified clamp connector "J" to the terminal box. If using conduit use a UL-listed/CSA certified conduit connector. If you are installing a power supply cord kit, do so now and follow kit instructions.



5. Measure height of cabinet opening from underside of countertop to floor where dishwasher will be installed "K" (you need the lowest point). Check chart for that height opening. Put wheels "L" in the required position. Turn both front leveler legs to the same height.

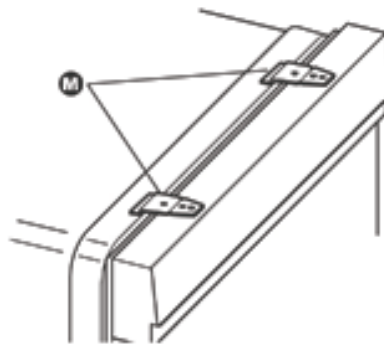


Min Cutout Height	Wheel Position (See Illustration)	Number of Turns on Front Leg
34" (86.4 cm)	1	10
34 1/4" (87 cm)	2	5
34 1/2" (87.6 cm)	3	0

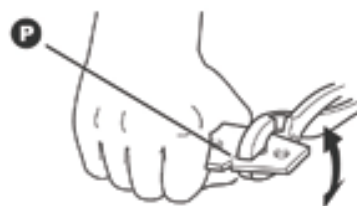


If the minimum cutout height is less than 34" (86.4 cm), the adjustable legs can be removed for additional clearance. This will allow the dishwasher to fit into a 33 4/5" (85.9 cm) high cutout, but the dishwasher will be more difficult to move into position. If the wheels are removed, protect the floor when moving the dishwasher.

6. Stand dishwasher upright.
7. The dishwasher must be secured to the cabinet. There are two brackets on top of the dishwasher that usually can be attached to the countertop. If this is not possible, the brackets "M" may be moved to the sides of the dishwasher.
If you are going to attach the dishwasher to the countertop, skip to step 13.
If you are going to attach the dishwasher to the sides of the cabinet, follow steps 8 through 12.



8. To remove the brackets from the top, flatten tab "N" at back of brackets with pliers and pull the brackets out of the slots "O".
9. Break off the end of the bracket along the scored line "P".

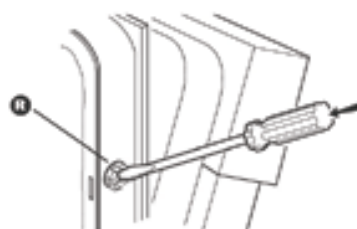


10. Open dishwasher door and place towel "Q" over pump assembly and spray arm of dishwasher. This will prevent screws from falling into pump area when securing dishwasher to countertop.

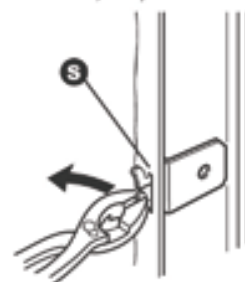


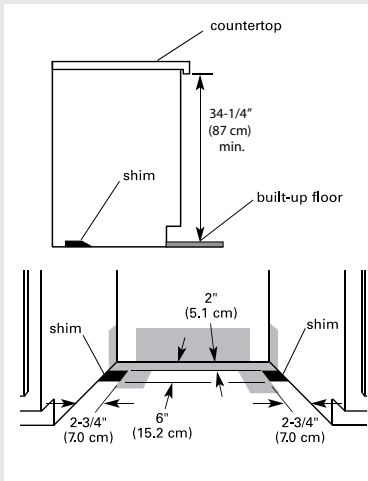
11. Open dishwasher door and push the plastic buttons "R" out of the side of the tub.

NOTE: Save the buttons to cover the holes after dishwasher is installed.



12. Push bracket into slot "S" on the side of dishwasher and bend tab in towards the side of the dishwasher so that it keeps the bracket in place.





HELPFUL TIP:

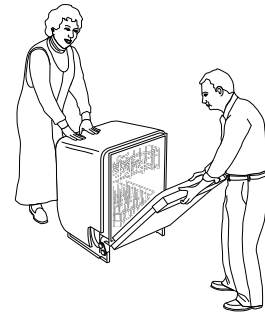
Built-up floors.

Measure height of opening from underside of countertop to built-up floor. If the height is at least 34-1/4" (87cm) min., the dishwasher will fit into the opening without modification to the countertop or flooring.

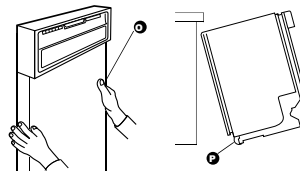
Put wheels "L" in position 1 and turn the front leveler legs until they are fully retracted. Add shims as needed in the area shown to bring dishwasher up to proper height. Note: Shims must be securely attached to floor to prevent their movement when the dishwasher is operated.

13. Check the door spring tension. With another person holding the dishwasher to prevent it from tipping, open and close the door a few times. The door should open and close easily.

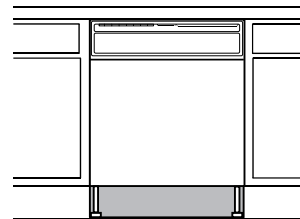
To adjust the door spring tension, unhook the spring "T" from the rear leg of the dishwasher. With a 5/16" nut divider or hex socket, remove the screw "U" from the tensioner "V". The screw can be put into one of three holes "1", "2", "3", in front leg of dishwasher. The dishwasher is shipped with the screw in the back hole.

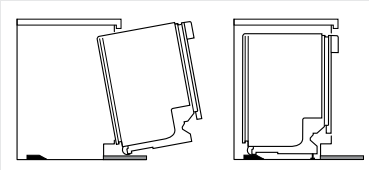


If the door opened by itself, move the tensioner to hole "2" or "3" and replace screw. Re-attach door spring to the rear leg. Tensioners on both sides of dishwasher should be secured at same holes.



14. Grasp the dishwasher door at the edges of the door panel "O". Tilt dishwasher backwards on wheels "P". Move dishwasher close to cabinet opening. Do not push on front of panel or on console- they may dent.
15. If dishwasher has a power supply cord, insert power supply cord into hole cut into cabinet.
16. Check that water line is on the left side of opening and drain hose is near the center of the hole in the cabinet. If using direct wire, check that it is on the right side of opening.
17. Carefully move dishwasher completely into cabinet opening. Do not kink or pinch cropper tubing, drain hose, power supply cord or direct wire between dishwasher and cabinet. Center the dishwasher in the opening.





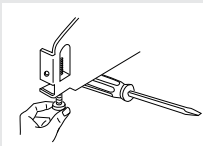
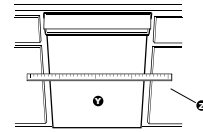
HELPFUL TIP: Built-up floors.
Tilt dishwasher backward to move into opening.
Once in position, support front of dishwasher by lowering or shimming front feet.

18. Remove cardboard from under dishwasher.

HELPFUL TIP:

It is okay if dishwasher fits tightly into cabinet opening. Do not remove insulation blanket- it reduces the sound level.

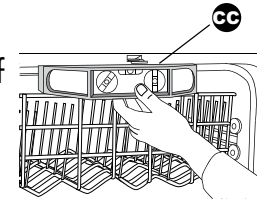
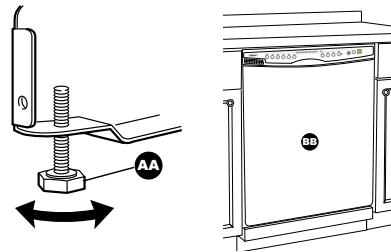
19. Align front of dishwasher door panel "Y" with cabinet doors "Z". You may need to adjust alignment to for the appropriate appearance.



HELPFUL TIP:

Prop up one side of frame to hold dishwasher up off floor when adjusting front legs.

20. Check that leveling legs "AA" are firmly against the floor. Close and latch the door, and place level against the front panel "BB". Check that dishwasher is plumb. Adjust leveling legs or add shims under rear wheels until dishwasher is level. Note: Shims must be securely attached to floor to prevent their movement when the dishwasher is operated. Repeat for other side of dishwasher. Place level against top front opening of tub "CC". Check that dishwasher is level from side to side. If dishwasher is not level, adjust front legs up or down until dishwasher is level.

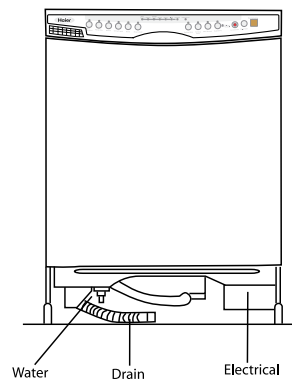


CONNECT DISHWASHER

Electrical connection

Check electrical requirements (see page 8). You must:

- Have the correct electrical supply and recommended grounding method.
- Check that power supply is disconnected.



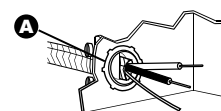
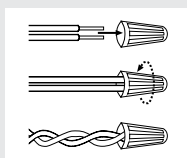
If you are:	Use steps:
direct wiring	1-4
using a power supply cord	1a

DIRECT WIRE METHOD**! WARNING****Electrical Shock Hazard**

Electrically ground dishwasher. Connect ground wire to green ground connector in terminal box. Do not use an extension cord. Failure to ground dishwasher can result in death, fire, or electrical shock.



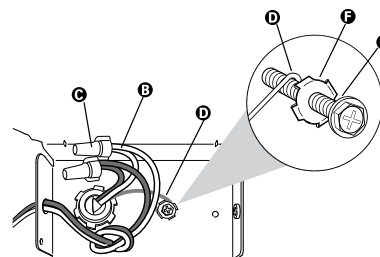
1. Install strain relief and route direct wire so that it does not touch dishwasher motor or lower part of dishwasher tub. Pull direct wire "A" through hole in terminal box.

**HELPFUL TIP:**

Select the proper size twist-on connectors to connect your household wiring to 16-gauge dishwasher wiring. Insert wire ends into twist-on connector. Do not pre-twist bare wire. Twist connector. Gently tug on wires to be sure both are secured.

2. Connect the wire "B" as follows using twist-on connectors "C" sized to connect direct wire to 16-gauge dishwasher wire:

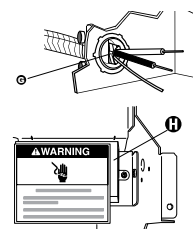
From bare ground wire "D" into a U-shaped hook. Wrap ground wire hook clock-wise around ground connector "E" and under the washer "F". Securely tighten ground connector "E" and under the washer "F". Securely tighten ground connector "E". Do not untie knot in the wires.



Power supply wire:		Terminal box wire:
White	↔	White
Black	↔	Black
Ground wire	↔	Ground connector

3. Tighten clamp connector or conduit connector screws "G".

4. Reinstall terminal box cover "H" with wires inside terminal box. Go to step 5. The cover must be outside the box on the right side. Make sure no wires are pinched by cover. Do not leave the box without the cover.



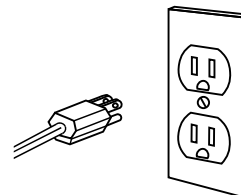
1a. POWER SUPPLY CORD METHOD

WARNING
Electrical Shock Hazard

Plug into a grounded 3 prong outlet.
 Do not remove ground prong.
 Do not use an adapter.
 Do not use an extension cord.
 Failure to follow these instructions can result in death,
 fire, or electrical shock.

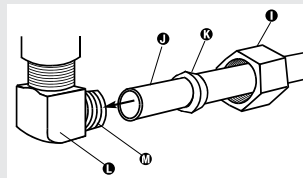


Check that power supply cord does not touch dishwasher motor or lower part of dishwasher tub. Go to step 5.

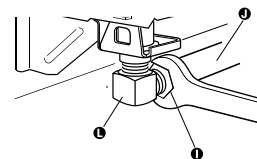
**WATER CONNECTION****HELPFUL TIP:**

Compression fittings:

1. Slide nut "I" about 1 inch (2.5 cm) onto copper tubing "J".
2. Slide ferrule "K" onto the tubing. Do not position ferrule on the end of the tubing.
3. Put the tubing into the elbow "L" as far as it will go.
4. Slide the nut and ferrule forward and start the nut onto the elbow threads "M". Be careful when handling and positioning the copper tubing as it bends and kinks easily.



5. To prevent vibration during operation, route the water supply line so that it does not touch the dishwasher base, frame or motor.



Make sure the water line stays within the shaded area shown on page 7 when the dishwasher is installed in the cabinet.

With copper tubing "J" pushed into compression fitting as far as it will go, use an adjustable wrench and tighten compression fitting nut "I" to elbow "L" on water inlet valve.

6. Place Paper towel under elbow. Turn on water supply and check for leaks.

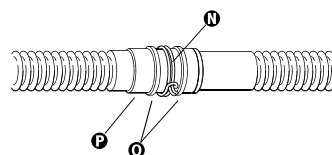
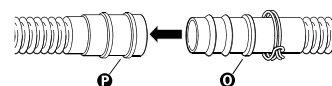
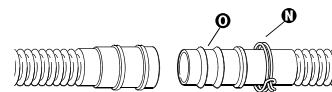
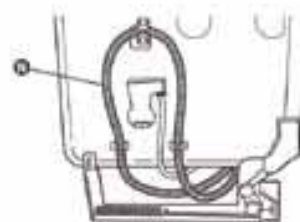
DRAIN CONNECTION

7. To help minimize vibration noise, route drain hose to avoid contact with motor, door springs, water line, cabinet, flooring or the edge of the hole where it passes through the cabinet. Do not remove drain loop "N" from side of dishwasher.

8. Place the smaller drain hose clamp "N" onto the small end of the drain hose "O". Remove the plug from the connector "P".

9. Push the drain hose into the connector "P" up to the rib "O" on the drain hose.

10. Use pliers to open clamp "N" and slide clamp onto connector "P" between ribs "O" on connector.



SECURE DISHWASHER

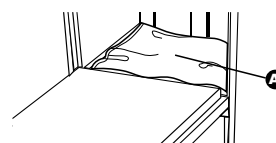
WARNING

Tip Over Hazard

Do not use dishwasher until completely installed. Do not push down on open door. Doing so can result in serious injury.

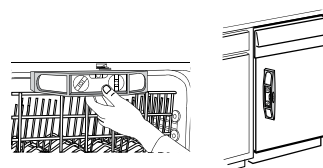


1. Open dishwasher door and place towel "A" over pump assembly and spray arm of dishwasher. This will prevent screws from falling into pump area when secure dishwasher to countertop.

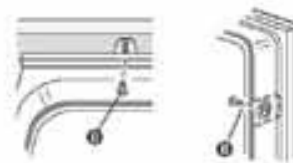


2. Check that dishwasher is still level and centered.

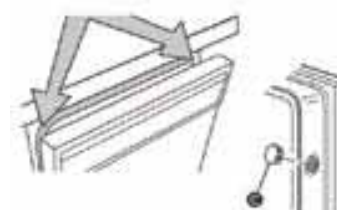
3. Secure dishwasher to countertop with two, No. ST4.2 x 18 Phillips-head screws "B". The dishwasher MUST be secured to keep it from tipping when door is opened. Do not drop screws into bottom of the dishwasher.



4. Open door about 3 inches (7.6 cm) and check that space between inner door and tub is equal on both sides. If spacing is not equal, loosen bracket screws. If securing to sides of cabinet, replace the plastic buttons "C".



Check that top of door does not contact screws, brackets, or countertop. If it does, dishwasher must be lowered and re-elevated. Remove paper towel from dishwasher.



INSTALLATION OF CABINET SEAL

1. The DWL 3525, 4035 and 7075 dishwasher models are equipped with a dishwasher to cabinet seal that aids in dishwasher installation as well as noise suppression.
2. Follow the installation instructions from the previous page with the following exceptions:

To install the dishwasher in the cabinet opening slide the dishwasher into the opening until it is positioned correctly both side to side and front to back. Using the legs and rear wheels, shims if necessary, adjust the dishwasher up until the top cabinet seal touches the underside of the countertop and the dishwasher is level.

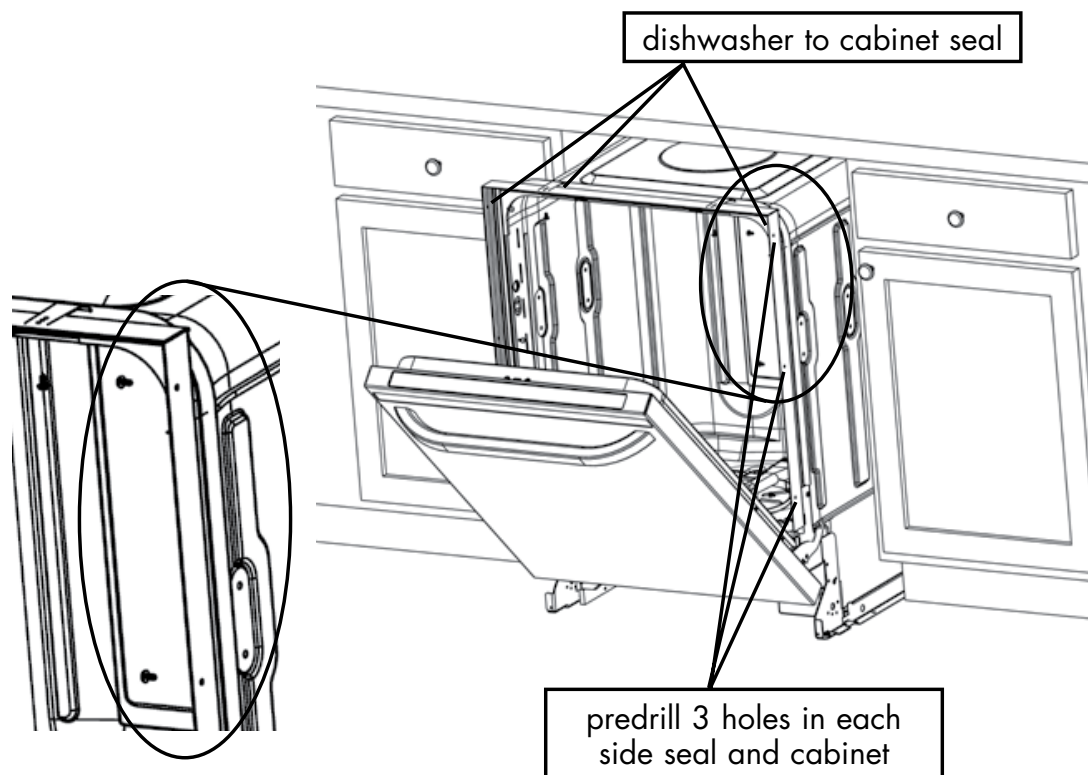
It may be necessary to trim the cabinet seal if it extends past the front of the cabinet surface. To do this mark the seal at the trim point. Pull the dishwasher out of the opening and remove the seal. Trim the seal using a utility knife or saw.

Reposition the dishwasher in the cabinet opening making sure it is in contact with the bottom of the countertop, level and centered in the opening.

Screw the top seal to the bottom side of the counter top.

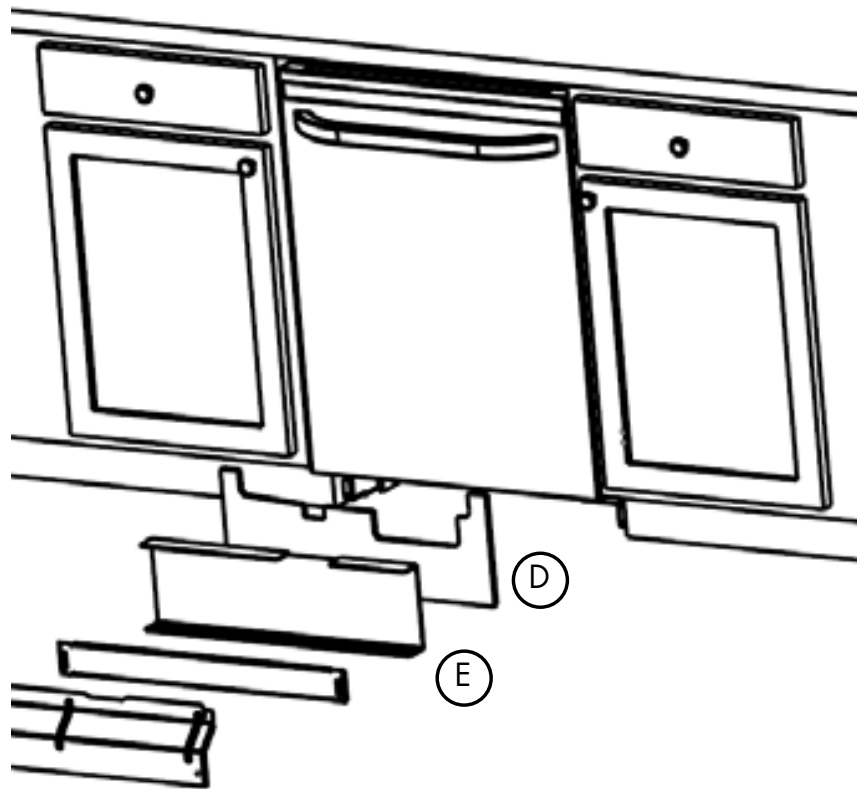
Predrill three holes into each side seal and cabinet. Screw each side seal to the cabinet.

Check that the door does not contact any of the screws, seals or countertop. If it does reposition and level the dishwasher so there is clearance.



INSTALL ADDITIONAL SOUND INSULATION

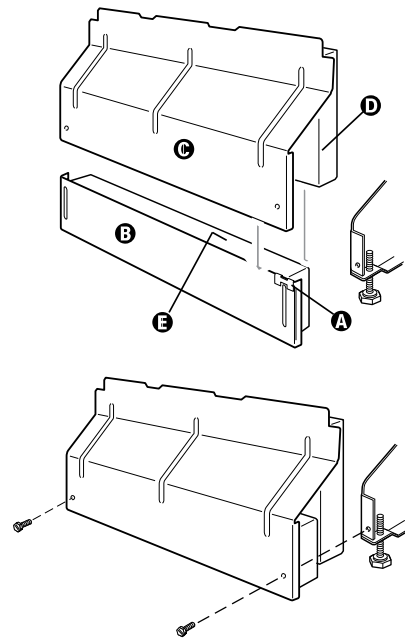
1. The DWL3525, DWL4035 and the DWL7075 model dishwashers are equipped with additional sound insulation. See the diagram at the lower left for model specific sound insulation parts.
2. Orient the sound pad "D" as shown and insert it under the door. Push the pad against the dishwasher frame. The top surface of the pad should be in contact with the bottom of the dishwasher tub. Make sure the pad is not touching nearby components.
3. Orient the sound mat "E" as shown and fold the sound mat at the top single fold groove. Push the mat against the sound pad "D" and fold at one of the lower fold grooves so the mat contacts the bottom of the dishwasher tub and the floor.



CHECK OPERATION

1. Read the Use and Care Guard included with your dishwasher.
2. Check that all parts have been installed and no steps were skipped. Check that you have all the tools you used.
3. At fuse box or circuit breaker, turn on electrical power supply to dishwasher. Start dishwasher and allow it to complete the shortest wash cycle. After the first two minutes, unlatch door, wait five seconds, then open door. Check to see that there is water in the bottom of the dishwasher and that there are no water leaks.
4. Check that grounding clip "A" is attached to the lower panel. Place the lower panel "B" behind the access panel "C". Some models have insulation "D" on the access panel which must fall behind the insulation "E" on the lower panel. Hold the two panels together and place them against dishwasher leg.

Reinstall the screws through the holes in the access panel and the slots in the lower panel. Install right side screw first. Check that the lower edge of the lower panel contacts the floor. Tighten the screws.

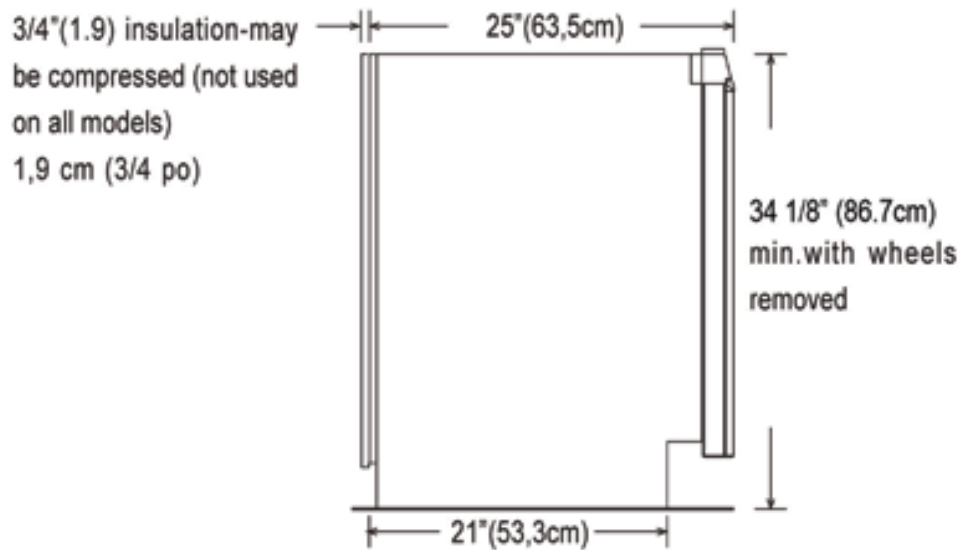


If dishwasher does not operate:

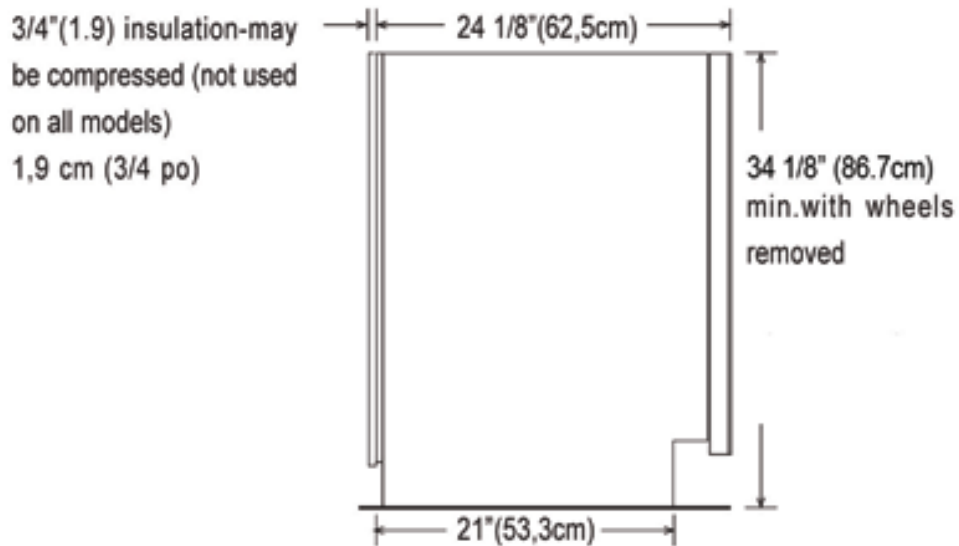
- Has the circuit breaker tripped or the house fuse blown?
- Is the door closed tightly and latched?
- Has the cycle been set correctly to start the dishwasher?
- Is the water turned on?

Side View

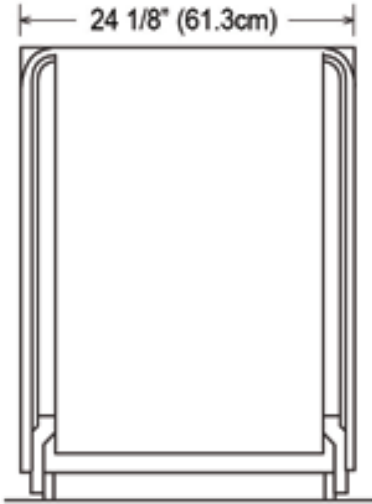
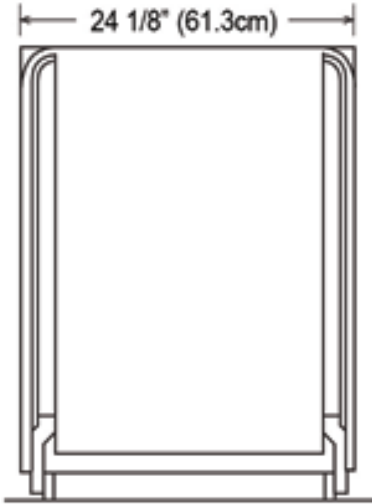
(DWL3025)



(DWL3525/4035/7075)



Back View



ÍNDICE DE CONTENIDOS

	PAGE
PRECAUCIONES DE SEGURIDAD.....	2
Antes de usar su lavavajillas	3
INSTRUCCIONES DE INSTALACIÓN PARA LAVAVAJILLAS EMPOTRADO	
QUÉ DEBO TENER PARA INSTALAR EL LAVAVAJILLAS.....	5-11
Herramientas, piezas y materiales	5-6
Requisitos para el gabinete	7
Dimensiones del gabinete	11
QUÉ DEBO HACER ANTES DE INSTALAR EL LAVAVAJILLAS	12-14
Preparar el gabinete	12
Preparar el lavavajillas	16
CÓMO INSTALO EL LAVAVAJILLAS	19-25
Conectar el lavavajillas	21
Asegurar el lavavajillas	24
Instale el sello de la cabina.....	25
Instale el aislante sano adicional	26
Controlar el funcionamiento	27

PRECAUCIONES DE SEGURIDAD

¡Advertencia! – Para reducir el riesgo de incendio, descarga eléctrica o lesiones a las personas, siempre ponga en práctica las precauciones de seguridad básicas, incluyendo las siguientes:

1. Lea todas las instrucciones antes de usar el artefacto.
2. Use el lavavajillas sólo para su función específica.
3. Use sólo detergentes o agentes de enjuague recomendados para el uso en lavavajillas y manténgalos lejos del alcance de los niños.
4. Cuando cargue los objetos para lavar:
 - 1) Ubique los objetos cortantes de manera tal que no sea probable que dañen el sistema de cierre de la puerta;
 - 2) Ubique los cuchillos filosos con los mangos hacia arriba para reducir el riesgo de cortes.
5. No lave objetos plásticos a menos que tengan la indicación “para uso en lavavajillas” o frase equivalente. En el caso de los objetos de plástico que no cuenten con esta indicación, revise las recomendaciones del fabricante.
6. No toque el elemento calentador durante el uso o inmediatamente después del uso.
7. No ponga en funcionamiento el lavavajillas a menos que todos los paneles de cerrado estén correctamente en su lugar.
8. No manipule indebidamente los controles.
9. No realice un mal uso ni se siente ni se pare sobre la puerta, la tapa o las rejillas para vajilla del lavavajillas.
10. Para reducir el riesgo de lesiones, no permita que los niños jueguen con el lavavajillas.
11. En ciertas condiciones, se puede producir gas hidrógeno en un sistema de agua caliente que no ha sido usado durante dos semanas o más. **EL GAS HIDRÓGENO ES EXPLOSIVO.** Si el sistema de agua caliente no ha sido usado durante un período de esa magnitud, antes de usar el lavavajillas abra los grifos de agua caliente y deje que fluya el agua de cada una de ellas durante varios minutos. De esta manera se liberará el gas hidrógeno que pueda estar acumulado. Debido a que el gas es inflamable, no fume ni use una llama abierta durante este período.
12. Quite la puerta o la tapa del compartimiento de lavado cuando retire un lavavajillas viejo o lo descarte.

Gracias por su compra de este producto Haier. Este manual de fácil consulta lo guiará para obtener el mejor servicio de su lavaplatos. Recuerde registrar aquí los números de serie y modelo de la máquina. Los encontrará en una etiqueta en el respaldo del lavaplatos.

Modelo #

Serie #

Fecha de Compra

Adjunte aquí su recibo de compra.
Lo necesitará para obtener servicio de garantía.

ANTES DE USAR SU LAVAVAJILLAS

IMPORTANTE: LEA ESTAS INSTRUCCIONES Y CONSÉRVELAS

De esta manera:

- La instalación será más fácil.
- En el futuro le ayudará si tiene alguna pregunta.
- Le ayudará si hay una inspección eléctrica.

Llame a su proveedor si tiene alguna pregunta o necesita servicio de mantenimiento. Cuando lo llame, deberá tener los números de modelo y de serie del lavavajillas.

Éste es el símbolo de alerta de seguridad.

Este símbolo le advierte sobre peligros potenciales que pueden lesionarlo a usted o a los demás gravemente.



Todos los mensajes de seguridad siguen al símbolo de alerta de seguridad y tienen la palabra "PELIGRO" o "ADVERTENCIA" (Vea a continuación).



PELIGRO

PUEDE RESULTAR GRAVEMENTE
LESIONADO SI NO SIGUE LAS
INSTRUCCIONES INMEDIATAMENTE.



ADVERTENCIA

PUEDE RESULTAR GRAVEMENTE LESIONADO SI
NO SIGUE LAS INSTRUCCIONES.

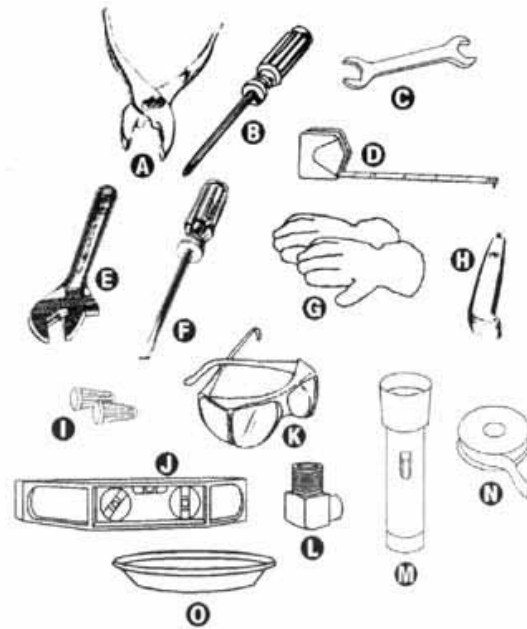
Todos los mensajes de seguridad le dirán cuál es el peligro potencial, cómo reducir las posibilidades de lesiones y qué puede suceder si no se siguen las instrucciones.

USTED DEBE

- Abrir la puerta del lavavajillas con cuidado mientras alguien sostiene la parte de atrás del lavavajillas. Quitar los materiales de embalado y la rejilla inferior. Cerrar la puerta del lavavajillas. Trabar la puerta del lavavajillas.
- Instalar el lavavajillas como se especifica en estas instrucciones.
- Contar con todo lo necesario (herramientas, materiales, piezas) para instalar el lavavajillas correctamente.
- Ponerse en contacto con una persona calificada para que lleve a cabo la instalación. La instalación debe ser realizada por un técnico de servicio de mantenimiento calificado. El lavavajillas debe estar instalado de forma tal que cumpla con todos los códigos y reglamentaciones locales en relación con las conexiones eléctricas y de tuberías.

HERRAMIENTAS Y MATERIALES NECESARIOS

TODAS LAS INSTALACIONES

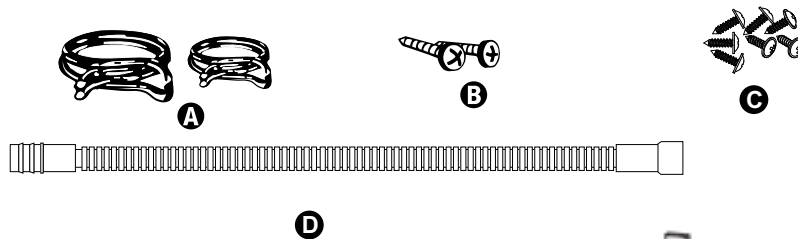
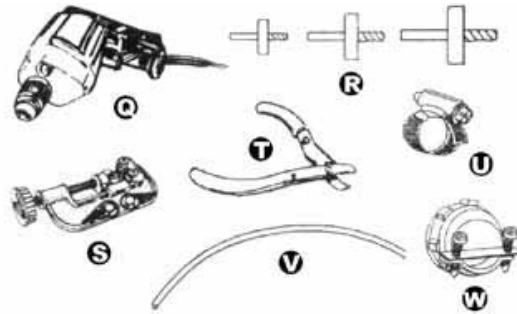


- A. Pinzas
- B. Destornillador Phillips
- C. Llave fija de $\frac{5}{8}$ "
- D. Cinta métrica o regla
- E. Llave inglesa de 10" que tenga una abertura potencial de entre 1 y $\frac{1}{8}$ " (2,9cm.)
- F. Destornillador de punta plana
- G. Guantes
- H. Cuchillo de uso general
- I. 2 conectores para enroscar, que tengan el tamaño apropiado para conectar la instalación eléctrica de su casa con la instalación eléctrica del lavavajillas calibre 16
- J. Un nivel pequeño
- K. Gafas de seguridad
- L. Un codo de 90° con rosca externa (NPT) de $\frac{3}{8}$ " (0,9cm) en un extremo. (El otro extremo debe acoplarse con su suministro de agua.)

- M. Linterna
- N. Cinta de teflón® o compuesto para uniones de tuberías
- O. Cacerola poco profunda
- P. Provisión de cuñas (si se instala con sobrepiso)

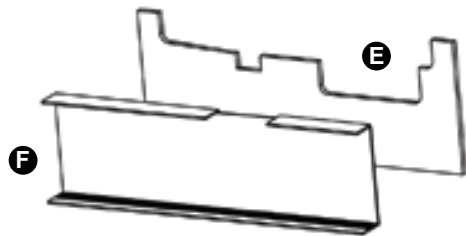
ADEMÁS PARA INSTALACIONES NUEVAS

- Q. Taladro eléctrico con
- R. brocas para sierra perforadora de 1/2", 3/4" y 1 1/2"
- S. Cortador de tubos pequeño
- T. Pelacables
- U. Abrazadera tipo tornillo de 1 1/2" - 2" si se conecta con conexión en T al tubo de desperdicios
- V. Tubería de cobre (se recomienda que sea de 3/8") o con línea de relleno trenzada de acero inoxidable flexible
- W. Conector de abrazadera o conector de conducto que se acople en un agujero de 7/8" (2,2cm.) de diámetro



PIEZAS QUE SE PROPORCIONAN

- A. 2 abrazaderas para manguera de desagüe
1 grande
1 pequeña
- B. 2 tornillos penetrantes de la Philip-pista 4.2 x 18
- C. 7 tornillos penetrantes de la Philip-pista 3.5 X 13
- D. Manguera de desagüe
- E. Modelos de la pista de los sonidos (DWL3525, 4035 y 7075 solamente)
- F. Sound Mat (DWL4035 and 7075 models only)



REQUISITOS PARA EL GABINETE

No coloque tuberías de desagüe o instalaciones eléctricas en lugares en los que puedan interferir con el motor o las patas del lavavajillas o tocarlos.

El lugar donde se instalará el lavavajillas debe permitir que quede espacio libre entre el motor y el piso.

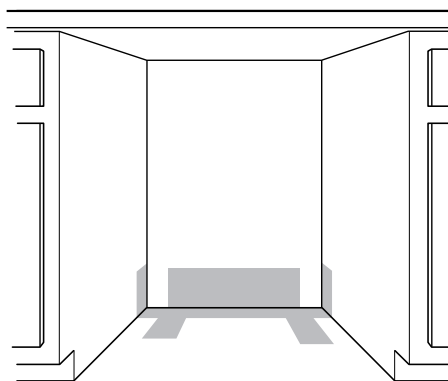
No instale el lavavajillas sobre pisos alfombrados.

Proteja el lavavajillas y las tuberías de agua conectadas al lavavajillas para que no se congelen. Los daños producidos por congelamiento no están cubiertos por la garantía.

REVISE EL LUGAR DONDE SE INSTALARÁ EL LAVAVAJILLAS. EL LUGAR DEBE CUMPLIR CON LO SIGUIENTE

- Fácil acceso al agua, la electricidad y el desagüe.
- Carga conveniente
- Si se ubica en una esquina se necesita un área despejada con un mínimo de 2" (5,1 cm.) entre el costado de la puerta del lavavajillas y la pared o gabinete.
- Abertura cuadrada para un funcionamiento y apariencia adecuados.
- Frente del gabinete perpendicular al piso.
- Piso parejo. Si el piso adelante de la abertura no está al mismo nivel que el piso en la parte de atrás de la abertura, puede ser necesario agregar cuñas para nivelar el lavavajillas.

Nota: Las cuñas deben estar pegadas cuidadosamente al piso para evitar que se muevan cuando el lavavajillas esté funcionando. Si el lavavajillas no será usado durante un tiempo o en un lugar donde pueda congelarse, haga que personal de reparaciones autorizado lo acondicione para el invierno. Asegúrese de que las tuberías, cables y la manguera de desagüe se encuentren en la zona sombreada como se muestra en el diagrama. Consulte la página 10 para ver las dimensiones.



CONSEJO ÚTIL:

Si el piso en la abertura del gabinete es desparejo (por ejemplo: piso de baldosas solamente en una parte cerca del gabinete) deberá tener especial cuidado al medir las dimensiones y nivelar el lavavajillas.

ELECTRICIDAD

Es responsabilidad del usuario ponerse en contacto con un electricista calificado para asegurarse de que la instalación eléctrica sea adecuada y cumpla con todos los códigos y reglamentaciones nacionales y locales.

Usted debe tener:

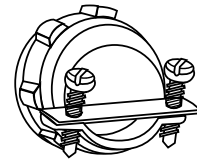
- Suministro eléctrico de 120 voltios, 60Hz, sólo de corriente alterna, con fusibles de amperio de 15 o de 20.
- SOLAMENTE CABLES DE COBRE.

Recomendamos:

- Un fusible retardador o interruptor automático.
- Un circuito separado.

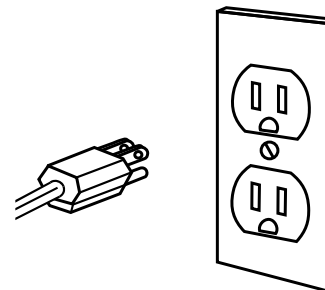
SI SE REALIZA UNA INSTALACIÓN ELÉCTRICA DIRECTA PARA EL LAVAVAJILLAS

- Use cable de cobre flexible, protegido o recubierto por material no metálico con cable a tierra que cumpla con los requisitos de instalación eléctrica de los códigos y reglamentaciones locales.
- Use el método aliviador de tensión proporcionado con la caja de empalme de cables de la casa o instale un conector de abrazadera con certificación UL y CSA conectado con la caja de empalme de cables de la casa. Si usa un canal de cables, use un conector para canal de cables con certificación UL y CSA.



CUANDO CONECTE EL LAVAVAJILLAS A UN CABLE DE SUMINISTRO DE ENERGÍA

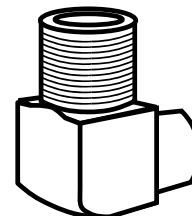
- Use un cable de suministro de energía con certificación UL, calibre 16, de tres conductores, que cumpla con todos los códigos y reglamentaciones locales. La longitud máxima del cable de suministro de energía es de 6 pies (1,8m).
- Es necesario un conector de abrazadera que calce en un agujero con un diámetro de $\frac{7}{8}$ " (2,2cm.) para asegurar el cable de suministro de energía a la caja terminal del lavavajillas.
- El cable de suministro de energía debe enchufarse en un tomacorriente con conexión a tierra con tres entradas, ubicado en el gabinete al lado de la abertura del lavavajillas. El tomacorriente debe cumplir con todos los códigos y reglamentaciones locales.



AGUA

USTED DEBE TENER

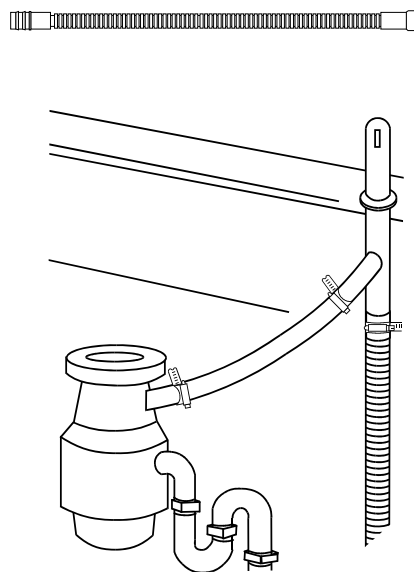
- Un suministro de agua caliente con una presión de agua de entre 20 y 120 libras por pulgada cuadrada (entre 138 y 862 kilopascales).
- Se recomienda que la temperatura mínima del agua que ingresa al lavaplatos sea de 120° F (49° C).
- Tubería con diámetro exterior de $\frac{3}{8}$ " (0,9cm) con ajuste de compresión o con línea de relleno trenzada de acero inoxidable flexible (se cuenta con la opción del tubo de plástico con un mínimo de $\frac{1}{2}$ " (1.3cm), pero no es lo recomendable).
- Un codo de 90° con rosca externa (NPT) de $\frac{3}{8}$ " (0.9cm) en un extremo. No suelde a menos de 6" (15,2 cm.) de la válvula de entrada de agua.



DESAGÜE

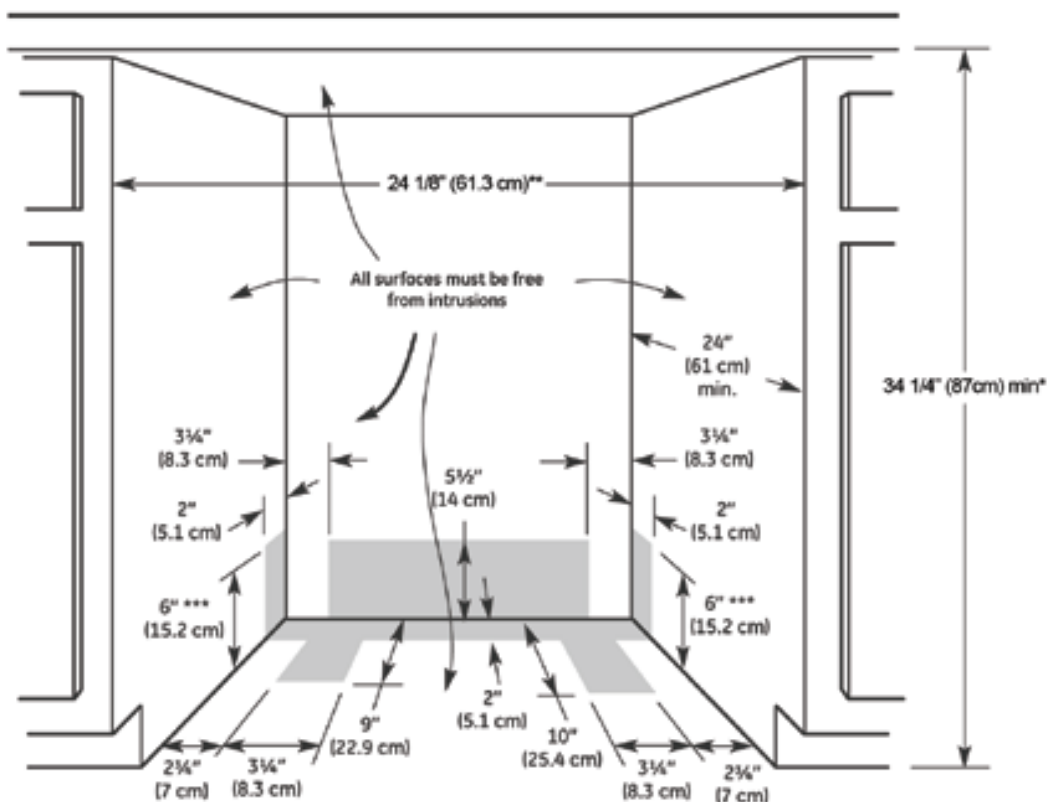
USTED DEBE

- Usar la manguera de desagüe nueva que viene con su lavavajillas. Si no es adecuada, use una manguera de desagüe nueva con una longitud máxima de 12 pies (3,7 m.) que cumpla todas las normas de evaluación de los Fabricantes de Electrodomésticos Estadounidenses (AHAM, por sus siglas en inglés) y de la Asociación Internacional de Oficiales Plomeros y Mecánicos (IAPMO, por sus siglas en inglés), que sea resistente al calor y al detergente y se acople al conector de desagüe de su lavavajillas.
- Contar con un circuito de desagüe alto de 30 pulgadas (50,8cm.) por encima de la base o suelo.
- Conectar la manguera de desagüe a la conexión en T al tubo de desperdicios o a la entrada del triturador por encima del tubo de desagüe de las tuberías de la casa y a 20 pulgadas (50,8cm.) como mínimo por encima del suelo.



- Usar un respiradero en la línea de desagüe si la manguera de desagüe está conectada a tuberías de la casa a menos de 20 pulgadas (50,8cm.) por encima de la base o suelo.
- Usar adaptadores para la línea de desagüe con un diámetro interno mínimo de $\frac{1}{2}$ " (1.3cm).

DIMENSIONES DEL GABINETE



Corte las aberturas en el área sombreada de las paredes o del piso del gabinete según lo especificado en carta:

ABERTURA PARA	DIÁMETRO
Suministro de agua	1/2" (1.3cm)
Desagüe	1 1/2" (3.8cm)
Cable directo	3/4" (1.9cm)
Cable de suministro de energía	1 1/2" (3.8cm)

* Medida desde el punto más bajo en la parte oculta de la encimera. Se puede reducir a 34 1/8" (86.7 cm) sacándole las patas ajustables al lavavajillas.

** Medida mínima desde el punto más angosto de abertura.

*** Puede incrementarse a 6 7/8" (17,5cm.) si la altura de la abertura es 34 1/2" (87,6cm.) en el punto más bajo.

! ADVERTENCIA

Peligro de Descarga Eléctrica

Desconecte la energía eléctrica en la caja de fusible o interruptor automático antes de instalar el lavavajillas.

Si no se cumple con este paso se corre riesgo de muerte o descarga eléctrica.

No utilice cable de prolongación ni enchufe adaptador con este artefacto.

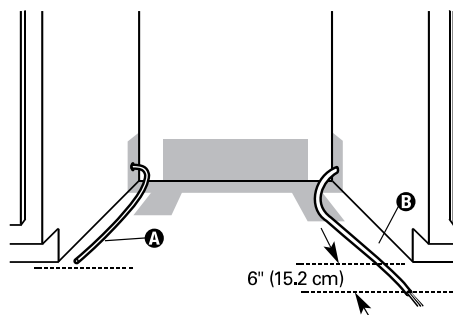


PREPARAR EL GABINETE

1. Desconecte el suministro de energía. Desconecte el agua. Póngase guantes y gafas de seguridad.

2. Si usted está reemplazando un lavavajillas:

- Controle que el suministro de agua "A" llegue hasta la parte posterior izquierda de la abertura, donde se realizará la conexión de agua.
- Controle que el suministro directo "B" llegue hasta la parte posterior izquierda de la abertura, donde se realizará la conexión eléctrica.



Si el suministro de agua y el cable directo llegan a la abertura, pase al paso 10, página 13.

Si usted está instalando un lavavajillas nuevo, siga todos los siguientes pasos:

Electricidad

Cumpla todos los códigos y reglamentaciones nacionales y locales para realizar el suministro eléctrico al gabinete.

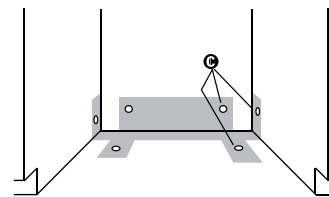
Si usted está:	Pasos de uso:
Realizando una instalación eléctrica directa	3, 4 and 5
Usando un cable de suministro de energía	3a and 4a

CONSEJO ÚTIL:

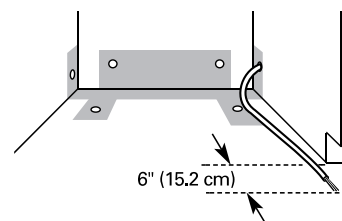
La instalación eléctrica del lavavajillas será más fácil si usted ingresa el cable a la abertura del gabinete desde el lado izquierdo.

3. MÉTODO PARA CABLE DIRECTO

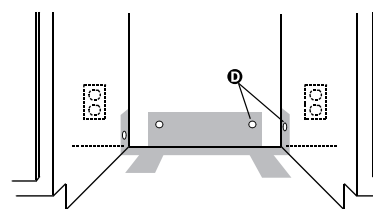
Haga un agujero de $\frac{3}{4}$ " (1,9cm.) "C" en el costado, parte de atrás o piso del gabinete a la derecha. Se muestran ubicaciones opcionales. Gabinete de madera: Lije el agujero hasta que esté liso.

**3a. MÉTODO PARA EL CABLE DE SUMINISTRO DE ENERGÍA**

Corte un agujero de 1 1/2 pulgadas (3,8cm) "D" en la parte trasera o lateral del gabinete de la derecha. Se muestran ubicaciones opcionales. Gabinete de madera: lije el agujero hasta que esté liso.

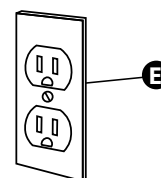


Se muestran ubicaciones opcionales. Gabinete de madera: Lije el agujero hasta que esté liso.



4. Pase el cable por la caja de conexiones eléctricas de la casa. Use el método aliviador de tensión provisto con la caja de conexiones. Si no se proporciona aliviador de tensión, instale un conector de abrazadera con certificación UL y CSA para el cable flexible. Cuando instale un canal de cables, agregue un conector para canal de cables con certificación UL y CSA a la caja de conexiones.

4a. Instale un receptáculo en la pared con conexión a tierra de tres entradas "E" en el gabinete cerca de la abertura del lavavajillas. Pase al paso 6.



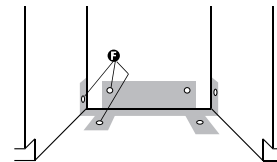
5. Pase el otro extremo del cable por el agujero del gabinete. El cable debe extenderse hasta la parte del frente a la izquierda de la abertura del gabinete. Pase al paso 6.

SUMINISTRO DE AGUA

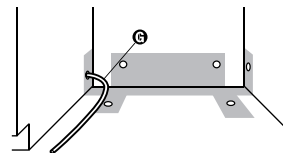
CONSEJO ÚTIL:

Si ubica el suministro de agua en la parte izquierda de la abertura del gabinete, la conexión de agua será más fácil.

6. Haga un agujero mínimo de $\frac{1}{2}$ " (1,3 cm.) "F" en el costado, la parte de atrás o el piso del gabinete a la izquierda. Se muestran las ubicaciones opcionales. (El agujero "F" está aproximadamente $1\frac{3}{5}$ " más alto que el agujero "C" o el agujero "D")

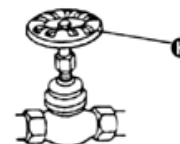


7. Es necesario medir la longitud total de la tubería de cobre "G". Una la tubería de cobre al suministro de agua con la válvula de cierre manual. Ingrese cuidadosamente la tubería de cobre en el agujero en el gabinete (la tubería de cobre se dobla y se tuerce con facilidad) hasta que esté lo suficientemente dentro de la abertura del gabinete como para conectarla a la entrada del lavavajillas en la parte delantera a la izquierda del lavavajillas.



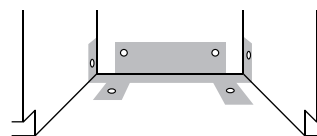
8. Gire la válvula de cierre "H" a la posición "ON" (ENCENDIDO). Vierta agua en un balde para deshacerse de las partículas que puedan obstruir la válvula de entrada.

9. Gire la válvula de cierre a la posición "OFF" (APAGADO)



MANGUERA DE DESAGÜE

10. Haga un agujero de 1-1/2" (3,8cm.) de diámetro en la pared o el piso del gabinete del lado de la abertura más cerca del fregadero.



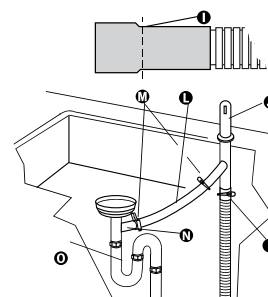
11. Conecte una manguera de desagüe a una conexión en T al tubo de desperdicios o triturador de basura con uno de los siguientes métodos:

un triturador de basura	un respiradero	11a.
	sin respiradero*	11c.
sin triturador de basura	un respiradero	11b.
	sin respiradero*	11d.

*Se recomienda un respiradero

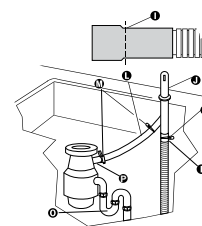
11a. TRITURADOR DE BASURA Y RESPIRADERO

- Quite la tapa ciega del triturador. Corte un extremo de la manguera de desagüe "I" si es necesario (no corte la parte acanalada).
- Una la manguera de desagüe al respiradero "J" con la abrazadera grande tipo resorte "K". Si se cortó la manguera de desagüe, use una abrazadera tipo tornillo de 1-1/2 a 2" (3,8 a 5cm.)*.
- Use un conector de manguera de goma* "L" con abrazaderas tipo resorte o tornillo* "M" para conectar el respiradero a la entrada del triturador "N". La conexión "N" DEBE realizarse antes del tubo de desagüe "O" y al menos 20" (50,8cm.) por encima del piso en el que se instalará el lavavajillas. Pase al paso 12.

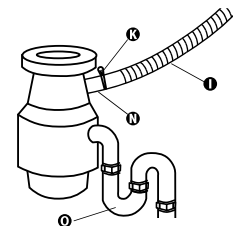


11b. SIN TRITURADOR DE BASURA & RESPIRADERO

- Corte un extremo de la manguera de desagüe "I" si es necesario (no corte la parte acanalada).
- Una la manguera de desagüe al respiradero "J" con la abrazadera grande tipo resorte. Si se cortó la manguera de desagüe, use una abrazadera tipo tornillo de 1-1/2 a 2" (3,8 a 5cm.)*.
- Use un conector de manguera de goma* "L" con abrazaderas tipo resorte o tornillo* "M" para conectar el respiradero a la conexión en T al tubo de desperdicios "P". La conexión "P" DEBE realizarse antes del tubo de

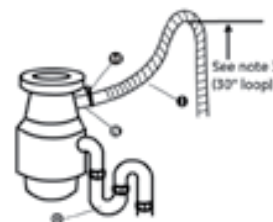


desperdicios "O" y por encima del piso a entre 15-4/5" (40cm.) y 39-2/5" (100cm.); al menos 20" (50,8cm.) por encima del piso en el que se instalará el lavavajillas. Pase al paso 12.



11c. TRITURADOR DE BASURA, SIN RESPIRADERO

1. Quite la tapa ciega del triturador. No corte el extremo de la manguera de desagüe.
2. Una la manguera de desagüe "I" a la entrada del triturador "N" con la abrazadera grande tipo resorte "K". La conexión "N" DEBE realizarse antes del tubo de desagüe "O" y al menos 20" (50,8cm.) por encima del piso en el que se instalará el lavavajillas. Pase al paso 12.
3. La manguera de desagüe debe estar enroscada y fijada de manera segura debajo de la encimera antes de que se dirija hacia el desagüe. La curva de la manguera debe estar al menos 30 pulgadas (76.8cm) por encima del piso.



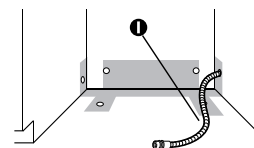
11d. SIN TRITURADOR DE BASURA & RESPIRADERO

1. Corte un extremo de la manguera de desagüe "I" (no corte la parte acanalada).
 2. Una la manguera de desagüe a la conexión en T al tubo de desperdicios "P" con una abrazadera tipo tornillo* de 1-1/2 a 2" (3,8 a 5cm.) "M". La conexión "P" DEBE realizarse antes del tubo de desperdicios "O" y al menos 20" (50,8 cm.) por encima del piso en el que se instalará el lavavajillas. Pase al paso 12.
 3. La manguera de desagüe debe estar enroscada y fijada de manera segura debajo de la encimera antes de que se dirija hacia el desagüe. La curva de la manguera debe estar al menos 30 pulgadas (76.8cm) por encima del piso.
- * Piezas disponibles en las ferreterías locales.

CONSEJO ÚTIL:

Para reducir la vibración de la manguera, manténgala alejada del piso y del borde del agujero por el que pasa a través del gabinete.

Inserte la manguera de desagüe "I" en un agujero hecho en el gabinete y diríjalo hacia el centro, atrás de la abertura donde se realizará la conexión de desagüe.



PREPARAR EL LAVAVAJILLAS



ADVERTENCIA

Consejo en cuanto al peligro

No use el lavavajillas hasta que no esté completamente instalado. No empuje hacia abajo sobre la puerta abierta. De esta manera se expone a lesiones graves.

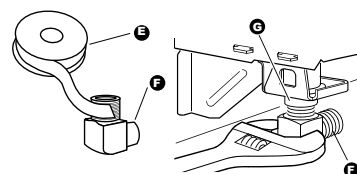
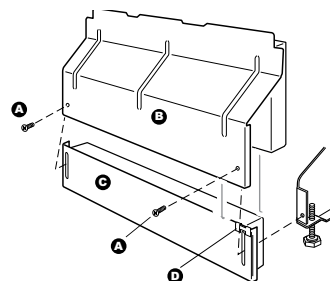


⚠️ ADVERTENCIA

PELIGRO DE PESO EXCESIVO

Dos personas deben mover e instalar el lavavajillas. Si no se cumple con este requisito se expone a lesiones en las espaldas o de otro tipo.

1. Tome los costados de la puerta del lavavajillas y ubique el lavavajillas sobre su parte posterior.
2. Quite dos tornillos "A" que adhieren el panel de acceso "B" y el panel inferior "C" al lavavajillas usando una llave de dado hexagonal de 1/4", un aprietatuercas o un destornillador Phillips. Quite los paneles y ubique los paneles a un lado en un lugar seguro. Asegúrese de que el sujetador para conexión a tierra "D" esté unido al panel inferior.
3. Aplique compuesto para uniones de tuberías "E" al codo de ajuste de 90° "F" y conéctelo a la válvula de entrada de agua "G". Ajuste el codo hasta que se amolde, asegurándose de que esté de frente a la parte de atrás.
4. Quite la cubierta de la caja terminal "H". Jale los cables del artefacto "I" por el agujero en la caja terminal. No desate el nudo en los cables.



Si usted está realizando una instalación eléctrica directa: instale un conector de abrazadera con certificación UL y CSA "J" en la caja terminal. Si usa un canal de cables, use un conector para canal de cables con certificación UL y CSA. Si está instalando un juego de cables de suministro de energía, hágalo y siga las instrucciones del juego.

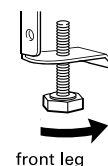
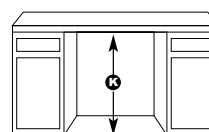
CONSEJO ÚTIL:

Ponga cartón debajo del lavavajillas hasta que lo instale. El cartón le ayudará a proteger el piso durante la instalación.

5. Mida la altura de la abertura del gabinete desde la parte inferior de la encimera hasta el piso donde se instalará el lavavajillas "K" (usted necesita el punto más bajo). Consulte el cuadro para obtener esa altura de la abertura. Verifique el cuadro para obtener la altura de la abertura. Coloque las rueditas "L" en la posición requerida. Gire las dos patas niveladoras delanteras hasta la misma altura.

Si la altura mínima de espacio es de menos de 34" (86,4cm.), pueden quitarse las patas ajustables para que haya más espacio libre. Esto permitirá que el lavavajillas entre en un espacio de 33 4/5" (85,9cm.) de altura, pero será más difícil ubicar el lavavajillas en la posición correspondiente. Si se quitan las rueditas, proteja el piso cuando mueva el lavavajillas.

Altura mínima de corte	Posición de las rueditas (consulte la ilustración)	Cantidad de giros de la pata delantera
34" (86.4 cm)	1	10
34 1/4" (87 cm)	2	5
34 1/2" (87.6 cm)	3	0

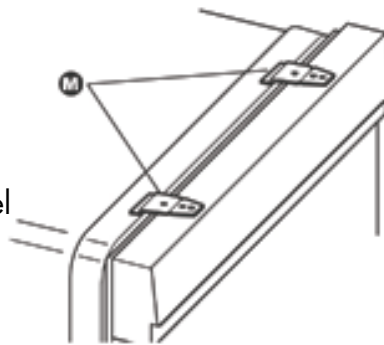


6. Coloque el lavavajillas en posición vertical.

7. El lavavajillas debe asegurarse al gabinete. Hay dos soportes en la parte superior del lavavajillas que por lo general se fijan a la encimera. Si esto no es posible, los soportes "M" pueden ubicarse a los lados del lavavajillas.

Si va a fijar el lavavajillas a la encimera, vaya al paso 13.

Si va a fijar el lavavajillas a los lados del gabinete, siga los pasos 8 a 12.



8. Para quitar los soportes de la parte superior, aplane la lengüeta "N" de la parte posterior de los soportes con pinzas y jale los soportes para retirarlos de las ranuras "O".



9. Separe el extremo del soporte por la línea marcada "P".

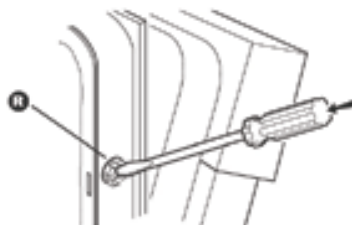


10. Abra la puerta del lavavajillas y ubique la toalla "Q" sobre el montaje de la bomba y el brazo rociador del lavavajillas. De esta manera se evitará que caigan tornillos al área de la bomba cuando asegure el lavavajillas a la encimera.

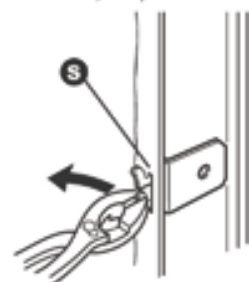


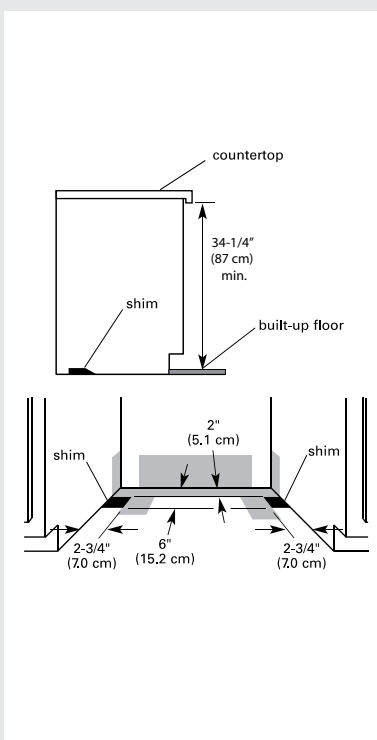
11. Abra la puerta del lavavajillas y presione los tarugos plásticos "R" para quitarlos del costado de la tina.

NOTA: Conserve los tarugos para cubrir los agujeros una vez que el lavavajillas esté instalado.



12. Presione el soporte en la ranura "S" del costado del lavavajillas y doble la lengüeta hacia el costado del lavavajillas para que el soporte se mantenga en su lugar.





CONSEJO ÚTIL:

Sobrepisos.

Mida la altura de la abertura desde la parte inferior de la encimera hasta el sobrepiso. Si la altura es de al menos 34-1/4" (87cm) min., el lavavajillas entrará en la abertura sin tener que realizar modificaciones a la encimera o al piso.

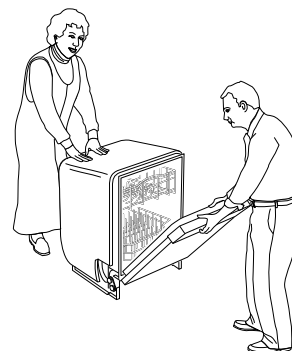
Ponga las ruedas "L" en la posición 1 y gire las patas niveladoras de adelante hasta que estén completamente contraídas. Agregue cuñas según sea necesario en el área que se muestra para subir el lavavajillas hasta la altura apropiada. Nota: Las cuñas deben estar pegadas al piso para evitar que se muevan cuando el lavavajillas esté funcionando. Las cuñas deben estar pegadas al piso para evitar que se muevan cuando el lavavajillas esté funcionando.

13. Controle la tensión del resorte de la puerta.

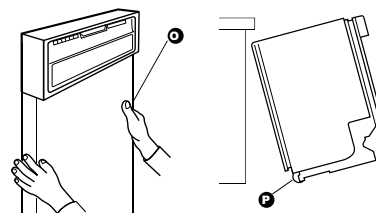
Mientras otra persona sostiene el lavavajillas para evitar que se incline, abra y cierre la puerta algunas veces. La puerta debe abrirse y cerrarse con facilidad.

Para ajustar la tensión del resorte de la puerta, desenganche el resorte "T" de la pata trasera del lavavajillas. Con una llave para tuercas o llave de dado hexagonal de 5/16", quite el tornillo "U" del tensor "V". El tornillo puede colocarse en uno de los tres agujeros "1", "2", "3", en la pata delantera del lavavajillas. El lavavajillas se envía con el tornillo en el agujero trasero.

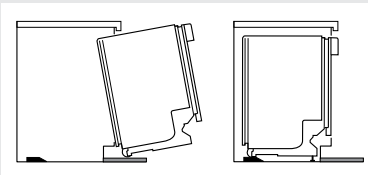
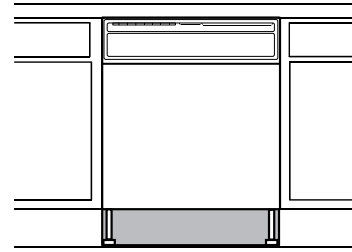
Si la puerta se abrió sola, pase el tensor al agujero "2" o "3" y vuelva a colocar el tornillo. Vuelva a fijar el resorte de la puerta a la pata trasera. Los tensores a ambos lados del lavavajillas deben asegurarse en los mismos agujeros.



14. Tome la puerta del lavavajillas por los bordes del panel de la puerta "O". Incline el lavavajillas hacia atrás sobre las ruedas "P". Acerque el lavavajillas a la abertura del gabinete. No empuje el frente del panel o el tablero, pueden abollarse.



15. Si el lavavajillas tiene un cable de suministro de energía, inserte el cable de suministro de energía en el agujero que se cortó en el gabinete.
16. Controle que el suministro de agua esté del lado izquierdo de la abertura y que la manguera de desagüe esté cerca del centro del agujero en el gabinete. Si usa un cable directo, controle que esté en el lado derecho de la abertura.
17. Mueva el lavavajillas completamente hacia dentro de la abertura del gabinete con cuidado. No retuerza o apriete la tubería de cobre, la manguera de desagüe, el cable de suministro de energía o el cable directo entre el lavavajillas y el gabinete. Centre el lavavajillas en la abertura.



CONSEJO ÚTIL:

Sobrepisos.

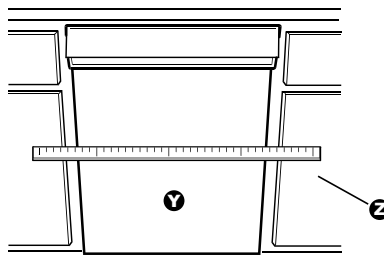
Incline el lavavajillas hacia atrás para colocarlo dentro de la abertura. Una vez que esté en posición, apoye el frente del lavavajillas bajando o acuñando las patas delanteras.

18. Quite el cartón de debajo del lavavajillas.

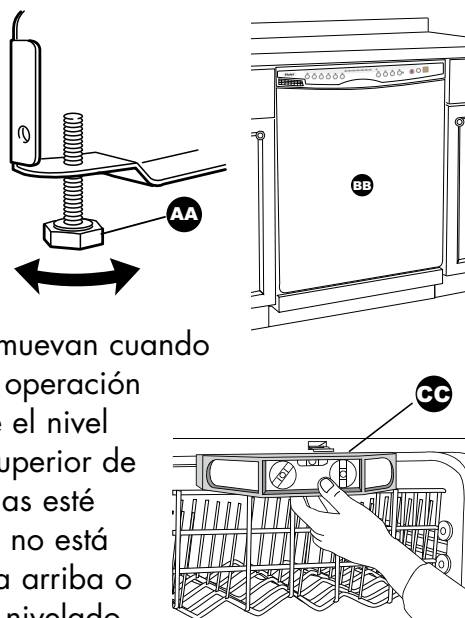
CONSEJO ÚTIL:

Está bien que el lavavajillas quede con el lugar justo en la abertura del gabinete. No quite la capa de aislamiento, ya que reduce el nivel de ruido.

19. Alinee la parte delantera del panel de la puerta del lavavajillas "Y" con las puertas del gabinete "Z". Puede ser necesario ajustar la alineación para que la apariencia sea la apropiada.



20. Controle que las patas niveladoras "AA" estén firmes contra el piso. Cierre y trabe la puerta y ubique el nivel contra el panel delantero "BB". Controle que el lavavajillas esté vertical. Ajuste las patas de nivelación o agregue cuñas bajo las ruedas de atrás hasta que el lavavajillas esté nivelado. Nota: Las cuñas deben estar pegadas al piso para evitar que se muevan cuando el lavavajillas esté funcionando. Repita la operación para el otro lado del lavavajillas. Ubique el nivel contra la abertura de la parte delantera superior de la tubería "CC". Controle que el lavavajillas esté nivelado de lado a lado. Si el lavavajillas no está nivelado, ajuste las patas delanteras hacia arriba o hacia abajo hasta que el lavavajillas esté nivelado.



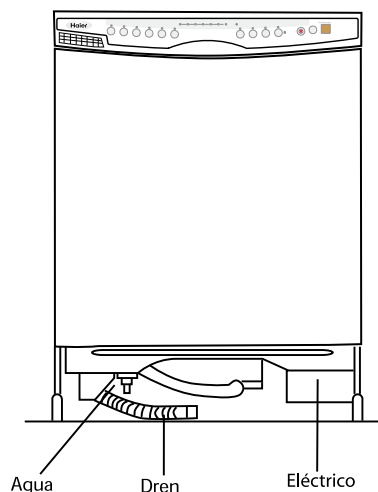
CONECTAR EL LAVAVAJILLAS

Conexión Eléctrica

Revise los requisitos eléctricos (consulte página 8).

Usted debe:

- Tener el suministro eléctrico correcto y el método de puesta a tierra recomendado.
- Controlar que el suministro de energía esté desconectado.



Si usted está:	Pasos de uso:
realizando una instalación eléctrica directa	1-4
usando un cable de suministro de energía	1a

MÉTODO PARA CABLE DIRECTO

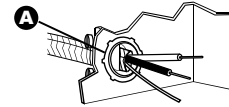
⚠ ADVERTENCIA

Peligro de descarga eléctrica

Lavavajillas con puesta a tierra eléctrica. Conecte el cable de puesta a tierra con el conector de puesta a tierra verde en la caja terminal. No use un cable prolongador. Si no se realiza la puesta a tierra del lavavajillas se corre riesgo de muerte, incendio o descarga eléctrica.



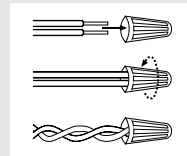
1. Instale el sujetacables y conecte el cable directo de forma tal que no toque el motor del lavavajillas ni la parte inferior de la tina de la unidad. Jale el cable directo "A" por el agujero en la caja de conexiones.



CONSEJO ÚTIL:

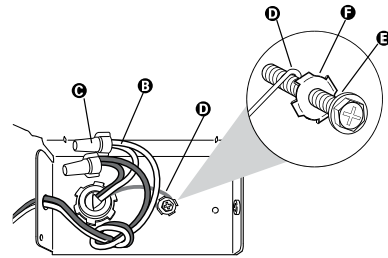
Seleccione el tamaño apropiado de los conectores enroscables para conectar la instalación eléctrica de su casa a la instalación eléctrica del lavavajillas calibre 16.

Inserte los extremos del cable al conector enroscable. No tuerza previamente el cable desnudo. Conector enroscable. Suavemente tire de los cables para garantizar que estén seguros.



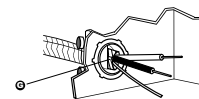
2. Conecte el cable "B" como se indica a continuación usando los conectores para enroscar "C" con el tamaño apropiado para conectar el cable directo al cable del lavavajillas calibre 16:

Desde un cable desnudo de puesta a tierra "D" a un gancho con forma de U. Enrolle el cable de puesta a tierra en el sentido de las agujas del reloj alrededor del conector a tierra "E" y debajo de la arandela "F". Ajuste con firmeza el conector a tierra "E". Ajuste con firmeza el conector a tierra "E". No desate el nudo en los cables.



Alambre De la Fuente De Alimentación		Alambre De la Caja Terminal
Blanco	↔	Blanco
Negra	↔	Negra
Alambre De tierra	↔	Conectador De tierra

3. Ajuste el conector de abrazadera o tornillos del conector para conductos portacables "G".



4. Vuelva a instalar la tapa de la caja de conexiones "H" con los cables dentro de la caja de conexiones. Vaya al paso 5. La tapa debe estar fuera de la caja en el lado derecho. Asegúrese de que la tapa no apriete ningún cable. No deje la caja sin la tapa.



1a. MÉTODO PARA EL CABLE DE SUMINISTRO DE ENERGÍA

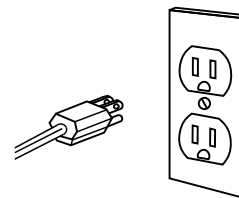
! ADVERTENCIA

Peligro de descarga eléctrica

Enchufe en un tomacorriente con conexión a tierra con tres entradas. No quite la terminal para conexión a tierra. No use un adaptador. No use un cable de prolongación. Si no se cumple con estas instrucciones se corre riesgo de muerte, incendio o descarga eléctrica.



Controle que el cable de suministro de energía no toque el motor del lavavajillas o la parte de debajo de la tina del lavavajillas. Pase al paso 5.



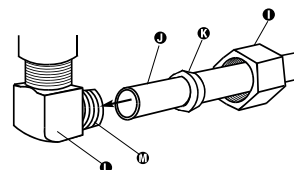
CONEXIÓN DE AGUA

CONSEJO ÚTIL:

Ajustes de compresión:

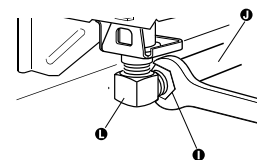
1. Deslice la tuerca "I" aproximadamente 1 pulgada (2,5cm.) en la tubería de cobre "J".
2. Deslice la férula "K" en la tubería. No ubique la férula en el extremo de la tubería.
3. Introduzca la tubería en el codo "L" tanto como se pueda.
4. Deslice la tuerca y la férula hacia adelante y comience a enroscar la tuerca en la rosca del codo "M". Tenga cuidado al manipular y poner en su lugar la tubería de cobre, ya que se dobla y se tuerce con facilidad.

5. Para evitar la vibración durante el funcionamiento, ubique el suministro de agua de forma tal que no toque la base, la estructura o el motor del lavavajillas.



Asegúrese de que el suministro de agua permanezca dentro de la zona sombreada como se muestra en la página 7 cuando se instale el lavavajillas en el gabinete.

Con la tubería de cobre "J" insertada en el ajuste de compresión tanto como es posible, use una llave inglesa y acomode la tuerca del ajuste de compresión "I" con el codo "L" en la válvula de entrada de agua.



6. Ubique una toalla de papel debajo del codo. Encienda el suministro de agua y controle si existen filtraciones.

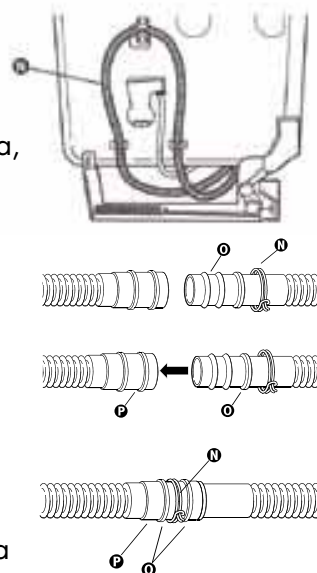
CONEXIÓN DE DESAGÜE

7. Para ayudar a minimizar los ruidos producidos por las vibraciones, conecte la manguera de desagüe de manera tal que no entre en contacto con el motor, los resortes de la puerta, la línea de agua, el gabinete, el revestimiento del piso ni el borde del agujero por el que entra al gabinete. No quite el circuito de desagüe "N" del costado del lavavajillas.

8. Ubique la abrazadera más pequeña para la manguera de desagüe "N" en el extremo pequeño de la manguera de desagüe "O". Quite el enchufe del conector "P".

9. Empuje la manguera de desagüe dentro del conector "P" hasta el reborde "O" en la manguera de desagüe.

10. Use pinzas para abrir la abrazadera "N" y deslizar la abrazadera hacia el conector "P" entre los rebordes "O" hasta el conector.



ADVERTENCIA

Consejo en cuanto al peligro

Do not use dishwasher until completely installed.
Do not push down on open door. Doing so can result in serious injury.



ASEGURE EL LAVAVAJILLAS

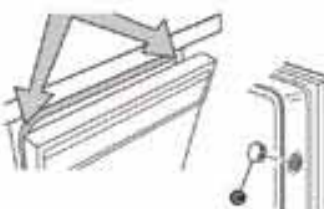
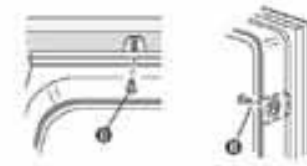
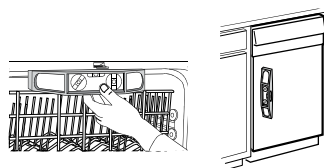
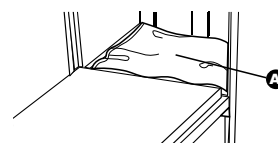
1. Abra la puerta del lavavajillas y ubique la toalla "A" sobre el montaje de la bomba y el brazo rociador del lavavajillas. De esta manera se evita que los tornillos caigan en el área de la bomba cuando asegure el lavavajillas a la encimera.

2. Controle que el lavavajillas esté todavía nivelado y centrado.

3. Encienda el suministro de energía eléctrica que va al lavavajillas desde la caja de fusibles o interruptor automático. Encienda el lavavajillas y permita que complete el ciclo de lavado más corto. Después de los dos primeros minutos, destrabe la puerta, espere cinco segundos y luego ábrala. Controle que no haya agua en la parte inferior del lavavajillas y que no haya pérdidas de agua.

4. Verifique que el sujetador de descarga a tierra "A" esté asegurado al panel inferior. Ubique el panel inferior "B" detrás del panel de acceso "C". Algunos modelos tienen aislación "D" en el panel de acceso, que debe estar detrás de la aislación "E" del panel inferior. Sostenga los dos paneles juntos y ubíquelos contra la pata del lavavajillas.

Vuelva a instalar los tornillos en los agujeros en el panel de acceso y las ranuras del panel inferior. Instale primero el tornillo del lado derecho. Verifique que el borde inferior del panel inferior esté en contacto con el piso. Ajuste los tornillos.



INSTALACIÓN DE SELLADO DE GABINETE

1. Los modelos de lavavajillas DWL 3525, 4035 y 7075 están equipados con un sellado de gabinete que ayuda con la instalación del lavavajillas y con la supresión del sonido.

2. Siga las instrucciones de instalación de la página previa con las siguientes excepciones:

Para instalar el lavavajillas en la abertura del gabinete, deslícelo dentro de la abertura hasta que esté posicionado correctamente de lado a lado y parte frontal a posterior. Utilizando las patas y ruedas traseras, y cuñas si es necesario, ajuste el lavavajillas hacia arriba hasta que la parte superior del sellado del gabinete toque debajo de la encimera y el lavavajillas esté nivelado.

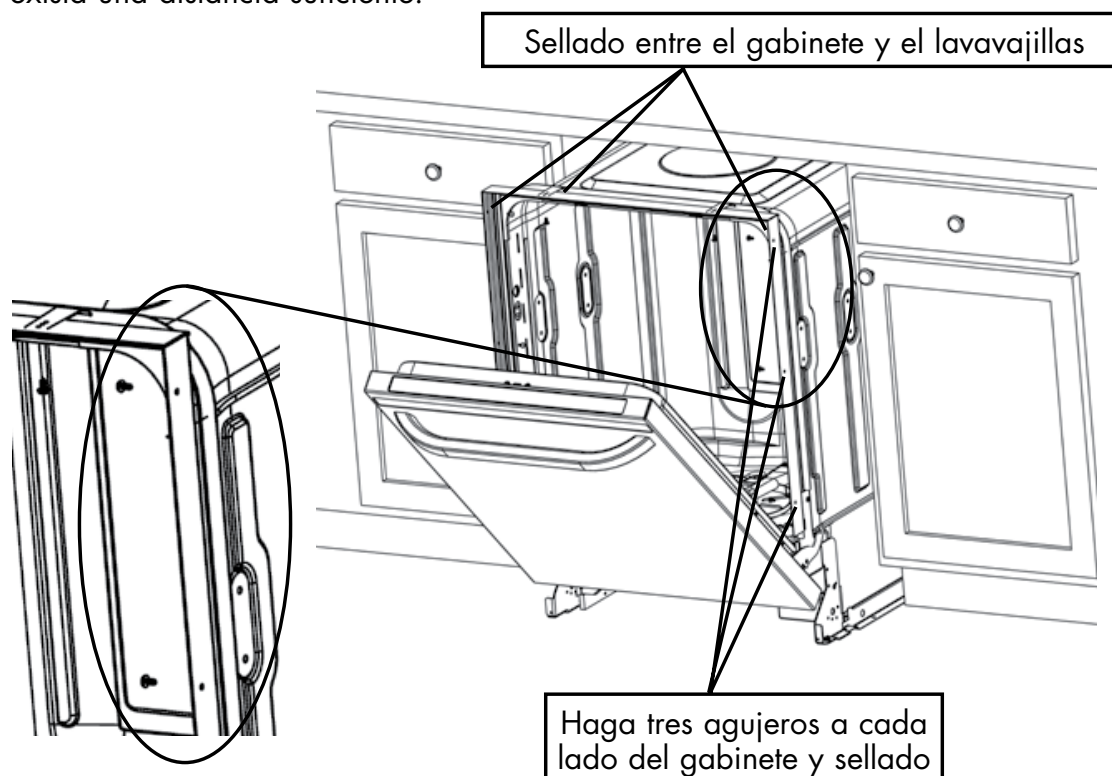
Puede ser necesario que deba recortar el sellado del gabinete si se extiende más allá de la superficie del frente del gabinete. Para hacer esto marque el sellado en el punto de recorte. Saque el lavavajillas de la abertura y quite el sellado. Recorte el sellado utilizando un cuchillo de uso general o sierra.

Reposicione el lavavajillas en la abertura del gabinete asegurándose de que esté en contacto con la parte inferior de la encimera, nivelado y centrado en la abertura.

Atornille la parte superior del sellado a la parte inferior de la encimera.

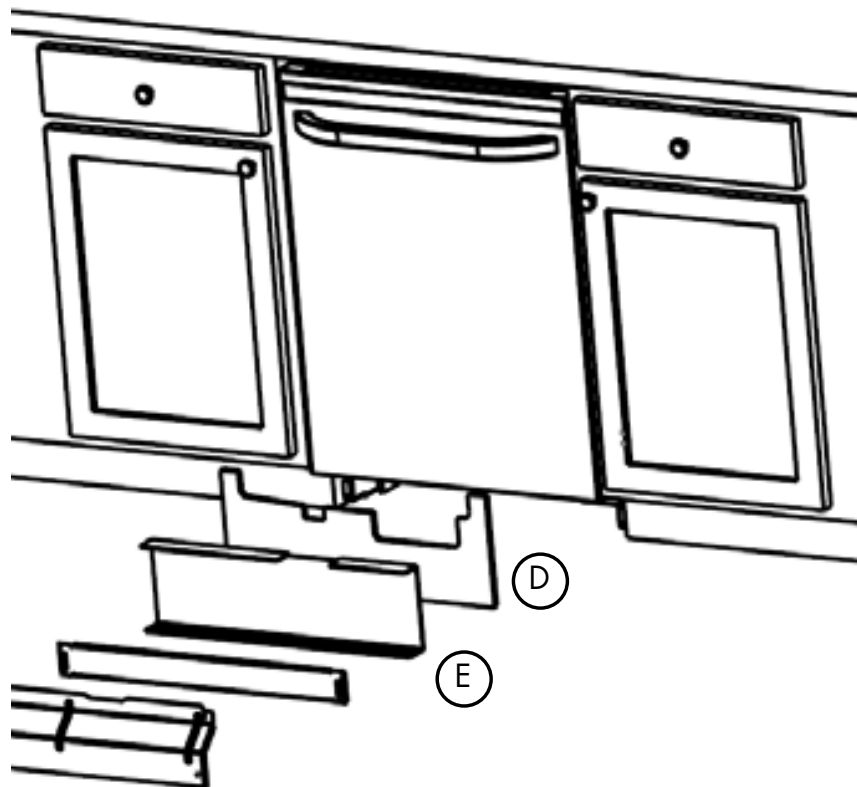
Haga tres agujeros a cada lado del gabinete y sellado. Atornille cada lado del sellado al gabinete.

Verifique que la puerta no toque ninguno de los tornillos, el sellado o la encimera. Si esto ocurre, vuelva a posicionar y nivele el lavavajillas para que exista una distancia suficiente.



INSTALACIÓN DE AISLAMIENTO ACÚSTICO ADICIONAL

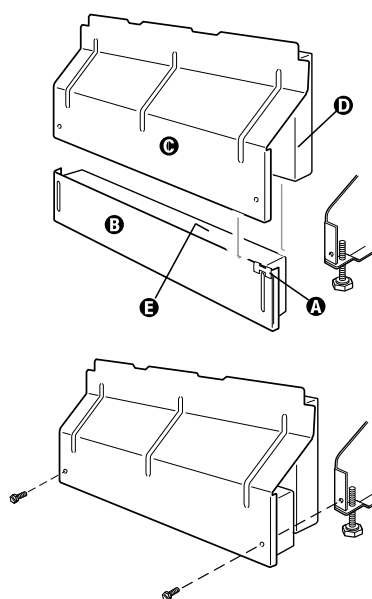
1. Los modelos de lavavajillas DWL3525, DWL4035 Y DWL7075 están equipados con aislamiento acústico adicional. Vea el diagrama en la parte inferior izquierda para las piezas de aislamiento acústico específicas para su modelo.
2. Oriente la almohadilla acústica "D" como se muestra e insértela debajo de la puerta. Empuje la almohadilla contra el marco del lavavajillas. La superficie superior de la almohadilla debe estar en contacto con la parte inferior de la tina del lavavajillas. Asegúrese de que la almohadilla no esté tocando componentes cercanos.
3. Oriente la cubierta acústica "E" como se muestra y dóblela en la única ranura de pliegue superior. Empuje la cubierta contra la almohadilla acústica "D" y dóblela en una de las ranuras de pliegue inferiores para que la cubierta haga contacto con la parte inferior de la tina del lavavajillas y el piso.



CONTROLE EL FUNCIONAMIENTO

1. Lea la Guía para Uso y Cuidado que se incluye con su lavavajillas.
2. Controle que todas las piezas hayan sido instaladas y que no se haya saltado ningún paso. Revise que tenga todas las herramientas que usó.
3. En la caja de fusibles o interruptor automático, encienda el suministro de corriente eléctrica hacia el lavavajillas. Encienda el lavavajillas y permita que complete el ciclo de lavado más corto. Después de los primeros dos minutos, destrabe la puerta, espere cinco segundos y luego abra la puerta. Controle que haya agua en la parte inferior del lavavajillas, que esté funcionando correctamente y que no haya pérdidas de agua.
4. Asegúrese de que el sujetador para conexión a tierra "A" esté unido al panel inferior. Ubique el panel inferior "B" detrás del panel de acceso "C". Algunos modelos tienen aislamiento "D" en el panel de acceso, que debe estar ubicado detrás del aislamiento "E" en el panel inferior. Sostenga los dos paneles juntos y ubíquelos contra la pata del lavavajillas.

Vuelva a instalar los tornillos en los agujeros en el panel de acceso y las ranuras en el panel inferior. Instale el tornillo del lado izquierdo primero. Controle que el borde inferior del panel inferior esté en contacto con el piso. Ajuste los tornillos.

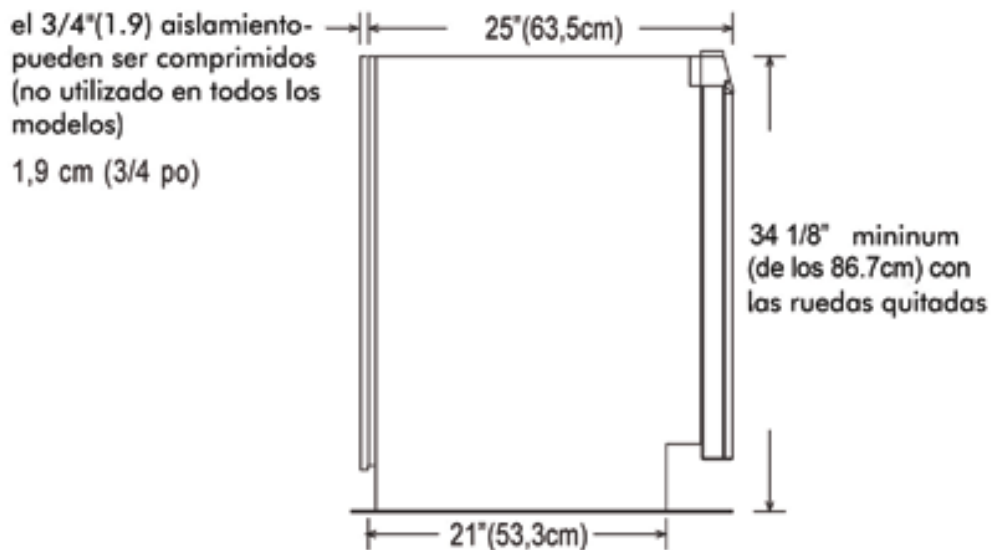


Si el lavavajillas no funciona:

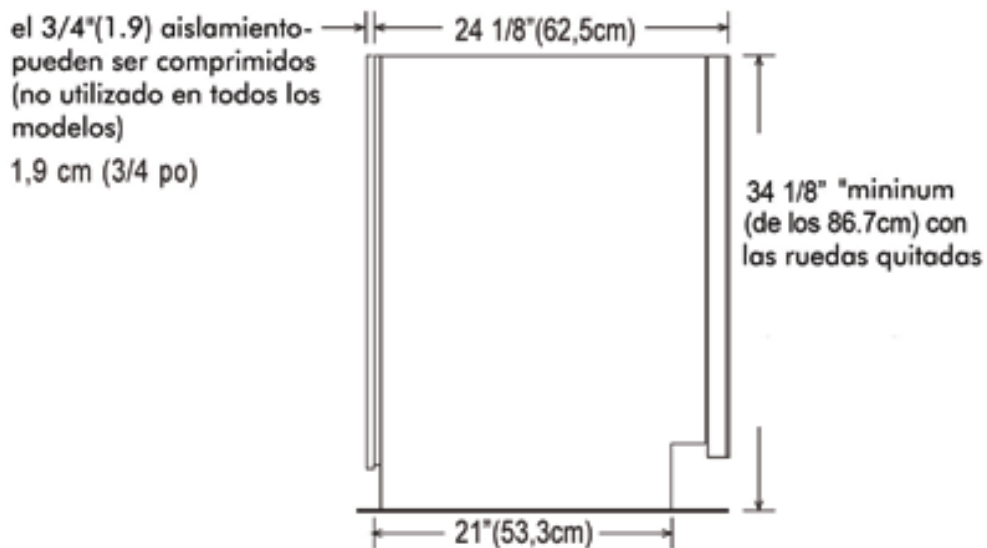
- Saltó el interruptor automático o se quemaron los fusibles de la casa?
- La puerta está bien cerrada y trabada?
- Se dispuso correctamente el ciclo para encender el lavavajillas?
- Está abierto el suministro de agua?

Vista Lateral

(DWL3025)



(DWL3525/4035/7075)



Vue de côté

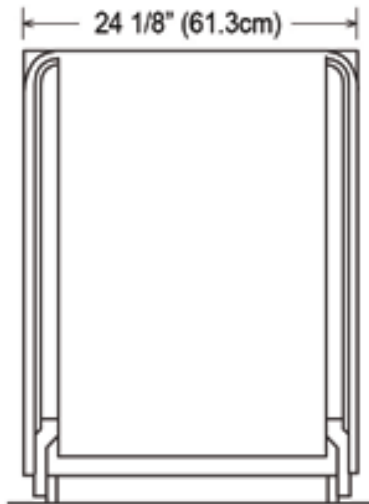
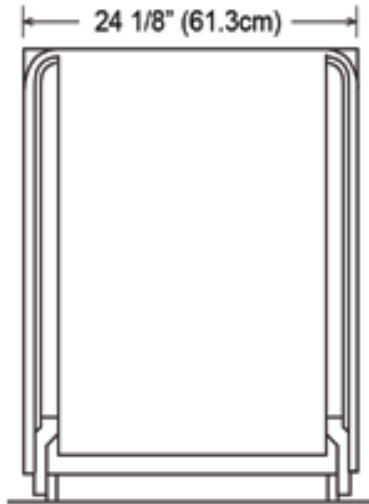


TABLE DES MATIÈRES

PAGE

MESURES DE SÉCURITÉ.....	2
Avant d'utiliser votre lave-vaisselle	3
INSTRUCTIONS D'INSTALLATION D'UN LAVE-VAISSELLE ENCASTRÉ	
CE DONT J'AI BESOIN POUR L'INSTALLATION DU LAVE-VAISSELLE.....	5-10
Outils, pièces et matériaux	5-6
Exigences du meuble	7
Dimensions du meuble.....	10
CE QU'IL FAUT FAIRE AVANT L'INSTALLATION DU LAVE-VAISSELLE.....	11-19
Préparation du meuble	11
Préparation du lave-vaisselle	15
COMMENT INSTALLER LE LAVE-VAISSELLE?	19-23
Connexion du lave-vaisselle	19
Fixer le lave-vaisselle	22
Installation d'isolant acoustique supplémentaire	23
Installation du scellant pour le meuble	24
Vérification du fonctionnement.....	25

MESURES DE SÉCURITÉ

Avertissement! – Pour réduire les risques d’incendie, de choc électrique ou de blessures, il faut toujours exercer des mesures de sécurité de base, incluant celles qui suivent :

1. Lire toutes les instructions avant l’utilisation de l’appareil.
2. Utiliser le lave-vaisselle seulement pour la fonction à laquelle il est destiné.
3. Utiliser seulement les détergents et les agents de rinçage recommandés à l’usage dans les lave-vaisselle, et les garder hors de la portée des enfants.
4. Lors du remplissage du lave-vaisselle :
 1. Assurez-vous que les objets pointus ou coupants n’endommageront pas le scellant de la porte;
 2. Mettre les couteaux la pointe vers le bas pour éviter les coupures.
5. Ne pas laver les objets en plastique dans le lave-vaisselle à moins qu’il soit écrit qu’ils vont au lave-vaisselle dessus. Pour les items de plastique qui n’ont pas cette information, vérifiez avec le fabricant.
6. Ne pas toucher à l’élément chauffant pendant ou immédiatement après l’utilisation.
7. Ne pas faire fonctionner le lave-vaisselle à moins que tous les panneaux de cloison soient bien en place.
8. Ne pas altérer les boutons de contrôle.
9. Ne pas abuser de, s’asseoir ou être debout sur la porte, le dessus ou les étagères du lave-vaisselle.
10. Pour réduire les risques de blessures, ne jamais laisser les enfants jouer sur ou dans le lave-vaisselle.
11. Sous certaines conditions, de l’hydrogène peut être produit dans un système d’eau chaude qui n’a pas été utilisé pendant deux semaines ou plus. L’HYDROGÈNE EST UN GAZ EXPLOSIF. Si votre système d’eau chaude n’a pas été utilisé pendant une telle période, avant de faire fonctionner le lave-vaisselle, faites couler tous les robinets d’eau chaude pendant quelques minutes pour évacuer l’hydrogène. Comme ce gaz est inflammable, ne pas fumer ou avoir une flamme allumée pendant ce temps.
12. Enlever la porte ou le dessus du compartiment du lave-vaisselle lorsque vous vous débarrassez d’un vieux lave-vaisselle.

Merci d’utiliser un produit Haier.
Ce manuel facile d’utilisation vous guidera pour obtenir une performance maximale de votre lave-vaisselle.

Assurez-vous de prendre en note les numéros de modèle et de série. Ils se retrouvent sur une étiquette à l’intérieur du lave-vaisselle.

Numéro de modèle

Numéro de série

Date d’achat

Agrafez votre facture dans votre manuel.

Vous en aurez besoin pour obtenir un service de garantie.

AVANT D'UTILISER VOTRE LAVE-VAISSELLE

IMPORTANT : LIRE ET CONSERVER CES INSTRUCTIONS

Ce faisant :

- l'installation sera plus facile.
- vous aidera à l'avenir si vous avez des questions.
- vous aidera dans le cas d'une inspection électrique.

Appeler votre fournisseur si vous avez des questions ou besoin de réparations. Lors de l'appel, vous aurez en main les numéros de modèle et de série.

Ceci est le symbole d'alerte de sécurité.

Ce symbole vous averti de dangers potentiels pouvant être la cause de blessures graves pour vous ou pour les autres.



Tous les messages de sécurité suivent ce symbole d'alerte de sécurité et le mot "DANGER" ou "AVERTISSEMENT".



DANGER

VOUS RISQUEZ D'ÊTRE GRAVEMENT BLESSÉ SI VOUS NE SUIVEZ PAS CES INSTRUCTIONS IMMÉDIATEMENT.



WARNING

VOUS RISQUEZ D'ÊTRE GRAVEMENT BLESSÉ SI VOUS NE SUIVEZ PAS CES INSTRUCTIONS.

Tous les messages de sécurité vous informeront du danger potentiel, comment réduire les risques de blessures et ce qu'il peut arriver si les instructions ne sont pas suivies.

VOUS DEVEZ:

- Ouvrir délicatement le lave-vaisselle pendant de quelqu'un d'autre tient l'arrière de celui-ci. Retirez les matériaux de transport et l'étagère du bas. Refermez et enclenchez la porte du lave-vaisselle.
- Installer le lave-vaisselle en suivant les instructions dans ce manuel.
- Avoir tout ce dont vous avez besoin (outils, matériaux, pièces) pour installer le lave-vaisselle correctement.
- Contacter une personne qualifiée pour faire l'installation. L'installation doit être faite par un technicien qualifié. Le lave-vaisselle doit être installé de manière à répondre à tous les codes et réglementations locales pour les connexions électriques et la plomberie.

OUTILS ET MATÉRIAUX REQUIS

TOUTES LES INSTALLATIONS



- A. Pinces
- B. Tournevis étoile
- C. Clé à fourche de 5/8po
- D. Galon à mesurer ou règle
- E. Clé à molette de 10po s'ouvrant jusqu'à 1 1/8po (2.9cm)
- F. Tournevis plat
- G. Gants
- H. Couteau utilitaire
- I. 2 connecteurs de fils vissable de la bonne dimension pour connecter le filage de votre maison au filage de calibre 16 du lave-vaisselle.
- J. Petit niveau
- K. Lunettes de sécurité
- L. Coude de 90° avec filetage extérieur N.P.T de 3/8po (0.9cm) d'une côté. (L'autre côté doit pouvoir être connecté à votre tuyau d'approvisionnement en eau.)
- M. Lampe de poche
- N. Ruban Teflon® ou mastic à joint
- O. Plat peu profond
- P. Shim Stock (si l'installation est faite avec un plancher accumulé)

EN PLUS DE, POUR LES NOUVELLES INSTALLATIONS

Q. Perceuse électrique avec :

R. Forets 1/2po, 3/4po et 1 1/2po

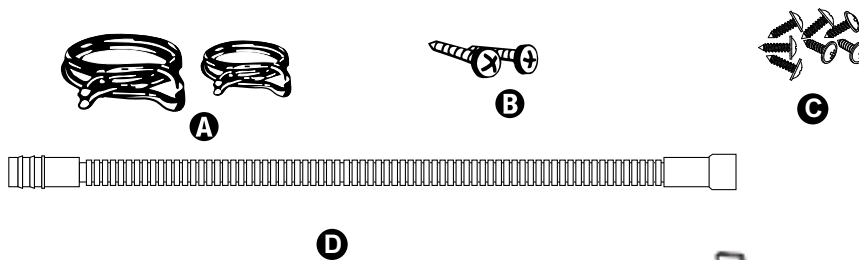
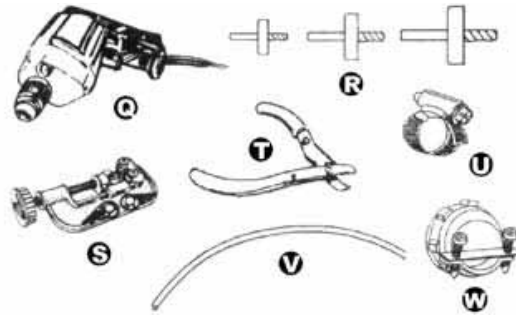
S. Petit tailleur de tubes

T. Dénudeur à fil

U. Clamp à vis de 1 1/2po – 2po si connecté à la vidange d'eau

V. Tuyau de cuivre (3/8po recommandé)
ou fil tressé flexible en inox

W. Connecteur de clamp ou de conduits faisant dans un trou de 7/8po (2.2cm) de diamètre



PIÈCES FOURNIES

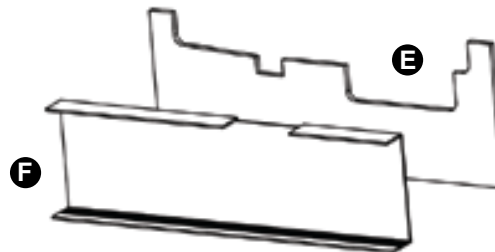
A. 2 clamp de tuyau de vidange
1 grosse
1 petite

B. 2 vis étoile No. ST4.2 X 18

C. Tuyau de vidange

D. Isolant acoustique (modèles DWL3525, 4035 et 7075 seulement)

E. Isolant acoustique (modèle DWL4035 et 7057 seulement)



EXIGENCES DU MEUBLE

Ne pas faire passer les tuyaux d'eau ou le filage électrique où ils peuvent interférer ou entrer en contact avec les pattes ou le moteur du lave-vaisselle.

L'emplacement du lave-vaisselle doit fournir de l'espace entre le moteur et le plancher.

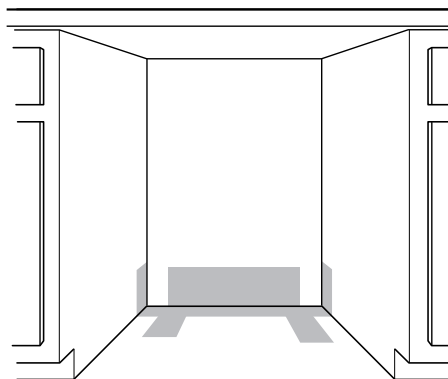
Ne pas installer le lave-vaisselle sur un tapis.

Protéger le lave-vaisselle et les tuyaux d'alimentation et de vidange d'eau contre le gel. Les dommages causés par le gel ne sont pas couverts par la garantie.

IFIER L'ENDROIT OÙ LE LAVE-VAISSELLE SERA INSTALLÉ. CET ENDROIT DOIT FOURNIR

- Un accès facile à l'eau, l'électricité et au drainage.
- Un accès facile pour remplir le lave-vaisselle.
- Des coins ayant un espace de 2po (5.2cm) minimum entre la porte du lave-vaisselle et le mur ou le meuble.
- Une ouverture carrée pour un fonctionnement et une apparence correcte.
- Un meuble perpendiculaire au plancher.
- Un plancher au niveau. Si le plancher à l'avant de l'ouverture n'est pas au niveau avec le plancher à l'arrière de l'ouverture, des shims peuvent être nécessaires pour mettre le lave-vaisselle au niveau.

Note: Les shims doivent être solidement fixés au sol pour éviter leur mouvement pendant que le lave-vaisselle fonctionne. Si le lave-vaisselle sera inutilisé pendant une période de temps ou dans un endroit sujet au gel, faites-le préparer pour l'hiver par un technicien qualifié. Assurez-vous que tous les tuyaux et le filage se retrouvent dans la partie ombragé du diagramme. Voir page 10 pour les dimensions.



CONSEIL PRATIQUE

Si le plancher est inégal à l'ouverture (par exemple : les tuiles du plancher n'y sont pas partout), vous devrez faire particulièrement attention en mesurant les dimensions et en mettant le lave-vaisselle au niveau.

ÉLECTRIQUE

Il revient au consommateur de contacter un technicien qualifié pour assurer une installation électrique adéquate et conforme avec toutes les réglementations nationales et locales.

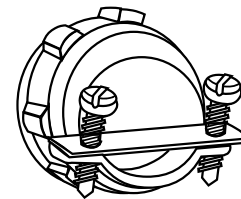
Vous devez avoir :

- Une alimentation en électricité de 120-volt, 60Hz, AC seulement, 15- ou 20Amp.
- FILAGE EN CUIVRE SEULEMENT.

Nous recommandons :

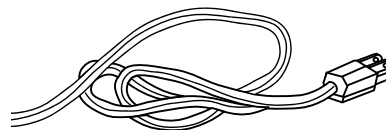
- Un fusible temporisé ou un disjoncteur.
- Un circuit séparé.

S'IL S'AGIT D'UNE CONNEXION À CÂBLAGE DIRECT

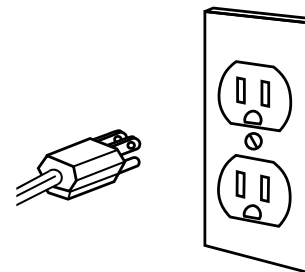


- Utilisez un câble de cuivre flexible à gaine non-métallique avec un fil de mise à terre qui est conforme aux exigences de votre maison et aux réglementations locales.
- Utilisez un stabilisateur de tension fournie avec la boîte de jonction de câblage résidentiel ou installez un connecteur de clamp listé UL/certifié CSA à la boîte de jonction. Si vous utilisez un conduit, utilisez un connecteur de conduit listé UL/certifié CSA

S'IL S'AGIT D'UNE CONNEXION AVEC UN FIL ÉLECTRIQUE



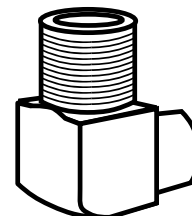
- Utilisez un fil d'alimentation de calibre 16, à 3 conducteurs, listé UL qui est conformes aux réglementations locales. La longueur du fil ne devrait pas dépasser 6pi (1.8m).
- Un connecteur de clamp faisant dans un trou de 7/8po (2.2cm) est requis pour fixer le fil d'alimentation à la boîte électrique du lave-vaisselle.
- Le fil d'alimentation doit pouvoir être branché à une prise électrique à trois branches, mise à terre, placé près du meuble et de l'ouverture pour le lave-vaisselle. La prise doit être conforme aux réglementations locales.



EAU

VOUS DEVEZ AVOIR

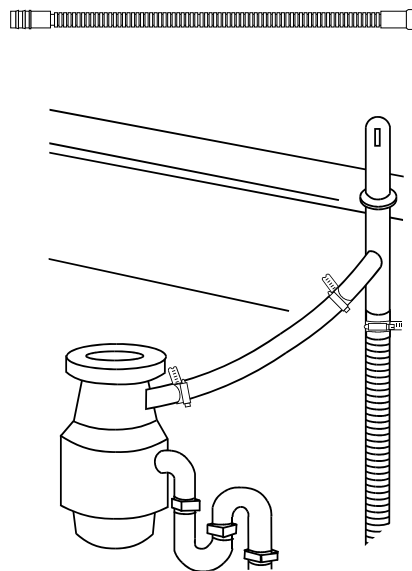
- Une alimentation en eau chaude d'une pression de 20-120psi (138-862kPa).
- Une entrée d'eau au lave-vaisselle avec une température minimale de 120°F (49°C) est recommandée.
- Tuyaux O.D. de 3/8po (0.9cm) avec raccord à compression, ou une ligne de remplissage en acier inoxydable (tuyau de plastique de 1/2po (1.3cm) minimum est facultatif mais non recommandé.)
- Un coude de 90° avec filet externe N.P.T. de 3/8po (0.9cm) d'un côté. Ne pas souder à moins de 6po (15.2cm) de la valve de l'entrée d'eau.



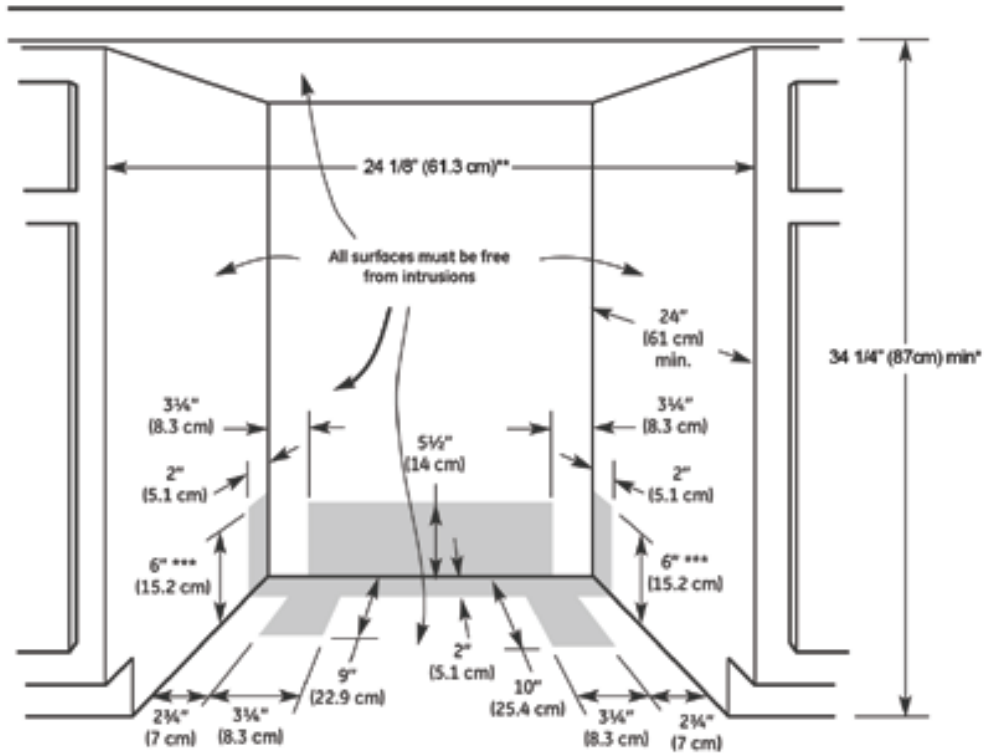
DRAIN

VOUS DEVEZ AVOIR

- Utilisez le nouveau tuyau de vidange fourni avec votre lave-vaisselle. Si ce n'est pas adéquat, utilisez un nouveau tuyau d'une longueur maximale de 12pi (3.7m) qui répond à tout les standards AHAM / IAPMO, résistant à la chaleur et au détersif et qui peut être raccordé au connecteur de vidange d'eau sur votre lave-vaisselle.
- Ayez une boucle de vidange 30po (76.2cm) au-dessus du plancher.
- Connectez le tuyau de vidange au "T" de vidange ou à l'entrée du broyeur au dessus du siphon et au moins 20po (50.8cm) au dessus du plancher.
- Utilisez un entrefer dans la vidange si le tuyau est connecté à la plomberie domestique à moins de 20po (50.8cm) du plancher.
- Utilisez des raccords I.D. d'au moins 1/2po (1.3cm)



DIMENSIONS DU MEUBLE



Faire une ouverture qui correspond à la partie ombragée dans le mur et le plancher, tel que décrit dans le tableau:

OUVERTURE POUR	DIAMÈTRE
Entrée d'eau	1/2 po (1.3cm)
Vidange d'eau	1 1/2 po (3.8cm)
Fil direct	3/4 po (1.9cm)
Fil d'alimentation	1 1/2 po (3.8)

* Mesuré à partir du point le plus bas sous le comptoir. Peut être réduit à 33 7/8po (85cm) en enlevant la patte ajustable du lave-vaisselle.

** Minimum, mesuré au point le plus étroit

*** Peut être augmenté à 6 7/8po (17.5cm) si la hauteur de l'ouverture est de 34 1/2 po (87.6cm) au point le plus bas

⚠ ATTENTION

RISQUE DE CHOC ÉLECTRIQUE

Débranchez le courant électrique à la boîte à fusibles ou au disjoncteur avant d'installer le lave-vaisselle.

Un manquement à ce niveau peut causer la mort ou un choc électrique.

N'utilisez pas de rallonge ou d'adaptateur électrique avec cet appareil.

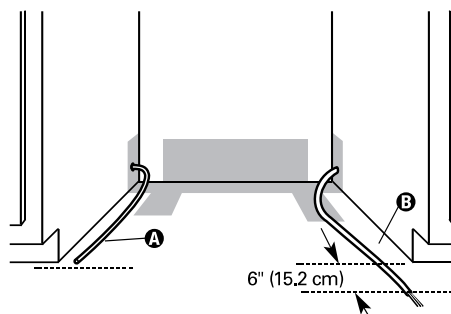


PRÉPARATION DU MEUBLE

1. Débranchez le courant électrique et l'eau. Mettez vos gants et vos lunettes de sécurité.

2. Si vous remplacez un lave-vaisselle:

- Assurez-vous que la ligne d'eau "A" se rend jusqu'à l'arrière gauche de l'ouverture où la connexion sera faite.
- Assurez-vous que la ligne directe "B" se rend jusqu'à l'arrière gauche de l'ouverture où la connexion sera faite.



Si la ligne d'eau et la ligne directe se rendent assez loin dans l'ouverture, rendez-vous à l'étape 10, sur la page 13.

Si vous faites l'installation d'un nouveau lave-vaisselle, complétez toutes les étapes qui suivent:

Électrique

Bien suivre toutes les réglementations locales and nationales pour compléter l'alimentation en électricité au meuble.

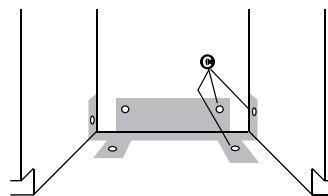
Si vous:	Suivez les étapes:
Effectuez un branchement directe	3, 4 et 5
Utilisez un fil électrique	3a et 4a

Conseil Pratique:

Le filage du lave-vaisselle sera plus facile d'accès si vous faites passer les fils par une ouverture dans le côté gauche du meuble.

3. MÉTHODE DE BRANCHEMENT DIRECT:

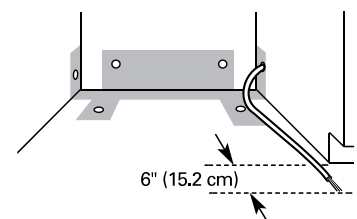
Percez un trou de 3/4po (1.9cm) "C", dans le côté, le plancher ou l'arrière du meuble, à droite. Les options d'emplacement sont illustrées. Dans le cas d'un meuble en bois, sablez le trou jusqu'à ce qu'il soit lisse.



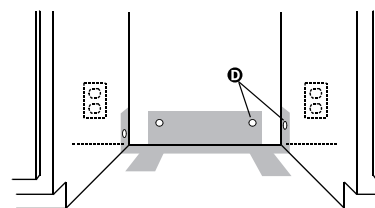
3a. MÉTHODE PAR FIL ÉLECTRIQUE:

Percez un trou de 1 1/2po (3.8cm) "D" dans le côté ou l'arrière du meuble, à droite. Les options d'emplacement sont illustrées. Dans le cas d'un meuble en bois, sablez le trou jusqu'à ce qu'il soit lisse.

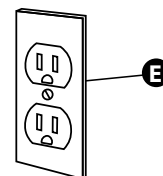
4. Filez le fil jusqu'à la boîte de jonction domestique. Utilisez le stabilisateur de tension fournie avec la boîte. Si aucun stabilisateur de tension n'est fourni, installez un connecteur listé UL/certifié CSA pour le filage flexible. Si vous installez un conduit, attachez un connecteur de conduit listé UL/certifié CSA à la boîte de jonction.



4a. Installez une prise électrique pouvant accueillir une fiche à trois branches mise à terre "E" dans le meuble, au côté de l'ouverture pour le lave-vaisselle. Sautez à l'étape 6.



5. Filez l'autre bout du fil à travers le trou. Le câble doit se rendre jusqu'à l'avant gauche de l'ouverture du meuble. Sautez à l'étape 6.

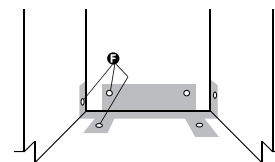


WATER LINE

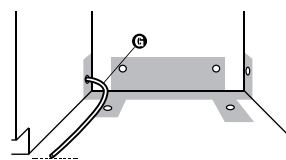
HELPFUL TIP:

Routing the water line through the left side of cabinet opening will make water connection easier.

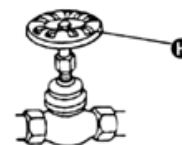
6. Percez un trou d'au moins 1/2po (1.3cm) "F" dans le côté, le plancher ou l'arrière du meuble, à gauche. Les options d'emplacement sont illustrées. (Le trou "F" devrait être environ 1 3/5po plus haut que le trou "C" ou "D".)



7. Mesurez la longueur totale requise pour le tuyau de cuivre « G ». Fixez le tuyau de cuivre à l'entrée d'eau à l'aide d'un robinet d'arrêt manuel. Faire passer doucement le tuyau de cuivre dans le trou (le cuivre peut facilement s'abîmer) jusqu'à ce qu'il soit assez long pour être branché à l'entrée d'eau à l'avant gauche du lave-vaisselle.



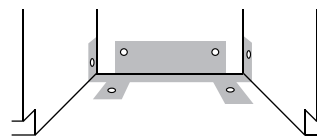
- 8.** Mettre le robinet d'arrêt manuel en position ouverte. Faites couler de l'eau dans un seau pour débarrasser le robinet de particules pouvant le boucher.



- 9.** Mettre le robinet en position fermée.

VIDANGE D'EAU

- 10.** Percez un trou de 1 ½po (3.8cm) de diamètre dans le mur ou le plancher du meuble sur le côté le plus près de l'évier.



- 11.** Branchez le tuyau de vidange d'eau au T de vidange ou au broyeur de déchet en suivant l'une des méthodes suivante :

Avec un broyeur	Avec un entrefer	11a.
	Sans entrefer*	11c.
Sans broyeur	Avec un entrefer	11b.
	Sans entrefer*	11d.

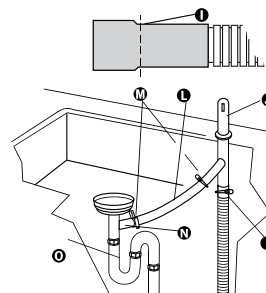
* Un entrefer est recommandé

11a. AVEC UN BROYEUR ET UN ENTREFER

1. Retirez le bouchon à éjection. Coupez le bout de la vidange d'eau, "I", si nécessaire (ne coupez pas la partie nervurée).

2. Fixez le tuyau de vidange d'eau à l'entrefer, "J", avec une grosse serre à ressort "K". Si la vidange d'eau a été coupée, utilisez une serre à vis de 1 ½po à 2po (3.8 à 5cm)*.

3. Utilisez un connecteur de tuyau de caoutchouc * "L" avec des serre à ressort ou à vis * "M" pour connecter l'entrefer à l'entrée "N" du broyeur. La connexion "N" DOIT être fait avant le siphon "O" et au moins 20po (50.8cm) au dessus du plancher où le lave-vaisselle sera installé. Sautez à l'étape 12.

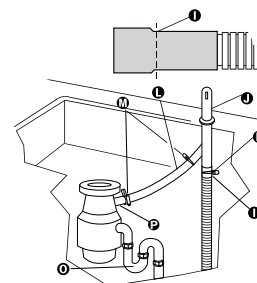


11b. SANS BROYEUR ET AVEC UN ENTREFER

1. Coupez le bout de la vidange d'eau, "I", si nécessaire (ne coupez pas la partie nervurée).

2. Fixez le tuyau de vidange d'eau à l'entrefer, "J", avec une grosse serre à ressort "K". Si la vidange d'eau a été coupée, utilisez une serre à vis de 1 ½po à 2po (3.8 à 5cm)*.

3. Utilisez un connecteur de tuyau de caoutchouc * "L" avec des serre à ressort ou à vis * "M" pour connecter l'entrefer au "T" de vidange "P". La connexion "P" DOIT être fait avant le siphon "O" et au moins 20po (50.8cm) au dessus

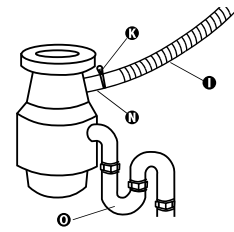


du plancher où le lave-vaisselle sera installé. Sauter à l'étape 12.

* pièces disponibles chez les quincailleries.

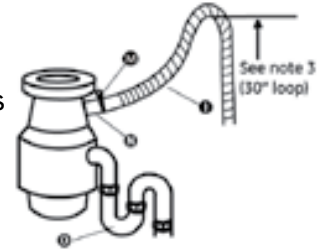
11c. AVEC BROYEUR SANS ENTREFER

1. Retirez le bouchon à éjection. Ne pas couper le bout de la vidange d'eau.



2. Fixez le tuyau de vidange "1" à l'entre du broyeur "N" avec un grosse serre à ressort "K". La connexion "N" DOIT être fait avant le siphon "O" et au moins 20po (50.8cm) au dessus du plancher où le lave-vaisselle sera installé.

3. Le tuyau de vidange doit être solidement fixé au dessous du comptoir avant de se rendre au drain. Cette boucle doit être à un minimum de 30po (76.8cm) du plancher. (Sauter à l'étape 12)



11d. SANS BROYEUR SANS ENTREFER

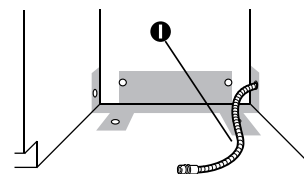
1. Coupez le bout de la vidange d'eau (sans couper la partie nervurée).

2. Fixez le tuyau de la vidange d'eau au "T" de vidange "P" à l'aide de serres à ressort ou à vis de 1 1/2po à 2po (3.8 à 5cm)* "M". La connexion "P" DOIT être fait avant le siphon "O" et au moins 20po (50.8cm) au dessus du plancher où le lave-vaisselle sera installé.

CONSEIL PRATIQUE :

Pour réduire les vibrations du tuyau, gardez-le éloigné du plancher et du rebord du trou où il passe au travers du meub.

3. Le tuyau de vidange doit être solidement fixé au dessous du comptoir avant de se rendre au drain. Cette boucle doit être à un minimum de 30po (76.8cm) du plancher. (Sauter à l'étape 12)



* pièces disponibles chez les quincailleries

Insérer le tuyau de vidange d'eau « 1 » dans le trou percé dans le meuble et guidez-le au centre arrière de l'ouverture où la connexion de vidange d'eau sera faite.

PRÉPARATION DU LAVE-VAISSELLE

! AVERTISSEMENT!

Risque de basculer

N'utilisez votre lave-vaisselle seulement lorsqu'il sera en place définitivement. Ne poussez pas vers le bas lorsque vous ouvrez la porte. Une telle manœuvre présente des risques de blessures graves.

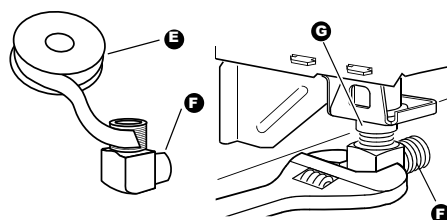
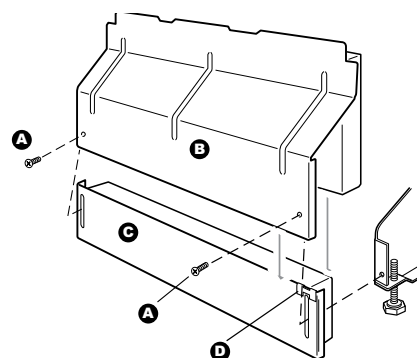


! AVERTISSEMENT!

DANGER DE POIDS EXCESSIF

Demandez l'aide de quelqu'un pour installer et déplacer un lave-vaisselle, ou courez des risques de blessures au dos ou autres.

1. Mettre le lave-vaisselle sur son dos, en le tenant par les côtés près de la porte.
2. Retirez les deux vis "A" qui fixent le panneau d'accès "B" et le panneau du bas "C" au lave-vaisselle à l'aide d'un tournevis étoile. Retirez les panneaux et les conserver. Assurez-vous que l'attache de mise à terre "D" est fixée sur le panneau du bas.
3. Appliquez du mastic à joint "E" au coude à 90° "F" et connectez le coude à la valve d'entre "G". Resserrez le coude en vous assurant qu'il fasse face à l'arrière.



CONSEIL PRATIQUE :

Mettre du carton sous le lave-vaisselle pendant l'installation pour éviter d'abîmer le plancher.

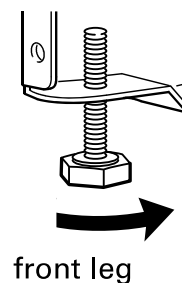
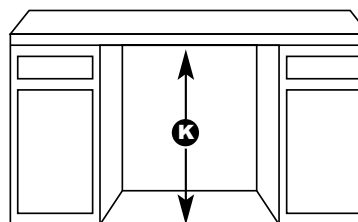
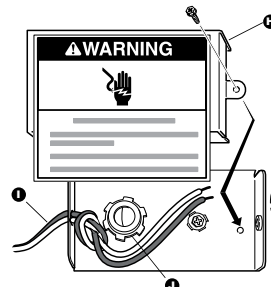
4. Retirez le couvercle de la boîte électrique "H". Faire passer les fils "I" par le trou dans la boîte électrique. Ne pas défaire le nœud dans les fils.

Si vous faites un branchement électrique direct: installez un connecteur "J" listé UL/certifié CSA à la boîte électrique.

Si vous utilisez un conduit: utilisez un connecteur de conduit listé UL/certifié CSA.

Si vous installez un kit de fil électrique, installez-le en suivant les instructions fournies.

5. Mesurez la hauteur de l'ouverture du plancher au dessous du comptoir "K". Vérifier le tableau pour cette hauteur. Placez les roues "L" dans la position requise. Tournez les deux pattes de nivellement à la bonne hauteur.

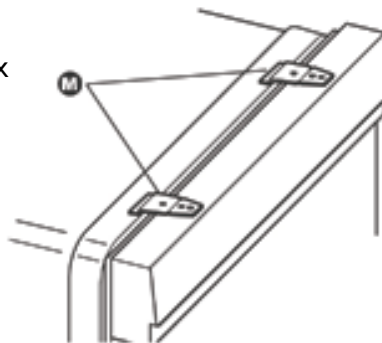


Hauteur minimale de l'ouverture	Position des roues (voir l'illustration)	Nombre de tours sur les pattes avant
34po (86.4cm)	1	10
34 ¼po (87cm)	2	5
34 ½po (87.6 cm)	3	0

Si la hauteur minimale est de moins de 34po (86.4cm), les pattes ajustables peuvent être enlevées pour faire plus de place. Cela permettra au lave-vaisselle de s'adapter à un espace d'une hauteur de 33 4/5po (85.9cm), mais le lave-vaisselle sera plus difficile à placer en position finale. Si les roues sont enlevées, protéger le plancher lors du déplacement du lave-vaisselle.

6. Remettre le lave-vaisselle dans le bon sens.

7. Le lave-vaisselle doit être fixé au meuble. Deux supports sont situés sur le dessus du lave-vaisselle qui peuvent être fixés au dessous du comptoir. Si ce n'est pas possible, les deux supports "M" peuvent être déplacés aux côtés du lave-vaisselle.



Si vous fixez le lave-vaisselle au dessous du comptoir, sautez à l'étape 13.

Si vous fixez le lave-vaisselle par les côtés, suivez les étapes 8 à 12.

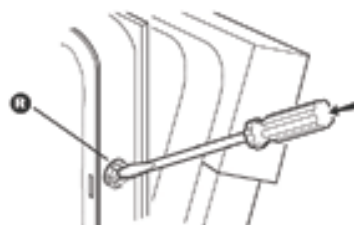
8. Pour enlever les supports, aplatir la languette "N" à l'arrière des supports avec des pinces et les sortir des fentes "O".



9. Casser le bout des supports le long de la ligne "P".

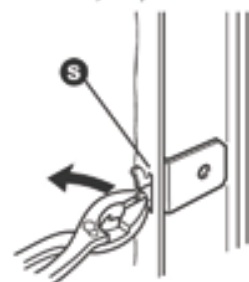


10. Ouvrez votre lave-vaisselle et placez-y une serviette "Q" par dessus l'assemblage de la pompe et du bras rotatif. Cette manœuvre facilitera la récupération de vis qui pourraient tomber pendant que pendant que vous fixez le lave-vaisselle à la face interne du meuble.

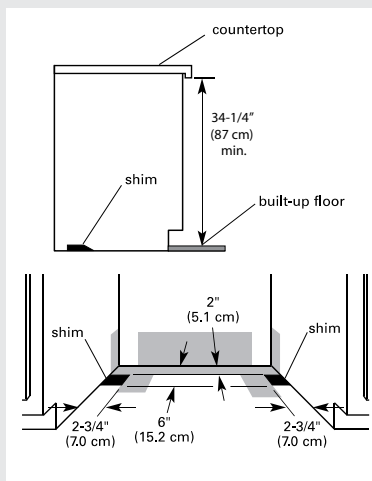


11. Ouvrir la porte du lave-vaisselle et ôter les boutons "R" du côté de la cuve.

Note: Conserver les boutons pour recouvrir les trous une fois le lave-vaisselle installé.



12. Faire passer le support dans la fente "S" sur le côté du lave-vaisselle et pliez la languette pour garder le support en place.



CONSEIL PRATIQUE:

Plancher accumulé.

Mesurez la hauteur de l'ouverture à partir du dessous du comptoir jusqu'au planché accumulé. Si la hauteur est d'au moins 33 3/4po (84.5cm) le lave-vaisselle pourra y être placé sans modifications au plancher ou au comptoir.

Mettez les roues « L » en position 1 et tournez les pattes de nivellement jusqu'à ce qu'elles soient complètement rétractées. Ajoutez des cales au besoin à l'endroit indiqué pour mettre le lave-vaisselle à la hauteur nécessaire. N.B. : Les cales doivent être fixées au sol pour prévenir leur mouvement pendant le fonctionnement du lave-vaisselle.

13. Vérifiez la tension du ressort de la porte. Avec l'aide d'une autre personne qui tient le lave-vaisselle fermement pour l'empêcher de basculer, ouvrez et fermez la porte quelques fois. La porte devrait être facile à ouvrir et à fermer.

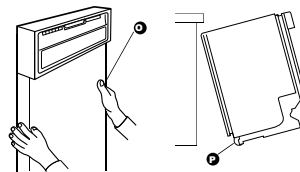
Pour ajuster la tension du ressort, décrochez le ressort "T" de la patte arrière du lave-vaisselle. À l'aide d'une douille 5/16po, retirez la vis "U" du tendeur "V". La vis peut être placée dans un des trois trous "1", "2" ou "3", dans la patte avant du lave-vaisselle. La vis est dans le trou arrière par défaut.

Si la porte s'ouvre seule, déplacez le tendeur au trou « 2 » ou « 3 ». Refixez le ressort à la patte arrière. Les tendeurs devraient être dans les mêmes trous sur les deux côtés du lave-vaisselle.



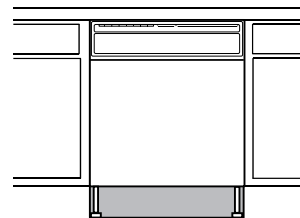
14. Tenez le lave-vaisselle sur les côtés du panneau de la porte « O ». Basculez le lave-vaisselle vers l'arrière sur les roues « P ». Déplacez le lave-vaisselle près de l'ouverture du meuble. Ne poussez pas sur le panneau avant ou sur la console, ça pourrait les abîmer.

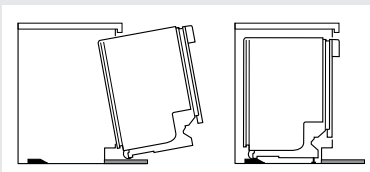
15. Si le lave-vaisselle a un fil électrique, insérez-le dans le trou percé dans le meuble.



16. Assurez-vous que l'entrée d'eau est sur le côté gauche de l'ouverture et que le tuyau de vidange d'eau est près du centre du trou dans le meuble. Si vous utilisez un filage directe, assurez-vous qu'il est sur le côté droit de l'ouverture.

17. Poussez le lave-vaisselle complètement dans l'ouverture délicatement, en prenant soins de ne pas coincer le tuyau de cuivre, le tuyau de vidange d'eau, le fil électrique ou le filage direct entre le lave-vaisselle et le meuble. Centrez le lave-vaisselle dans l'ouverture.





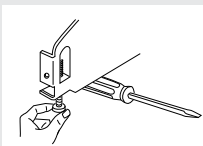
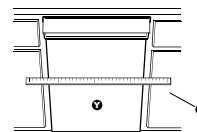
CONSEIL PRATIQUE : Planchez accumulé. Faites basculer le lave-vaisselle vers l'arrière pour le déplacer dans l'ouverture. Une fois en position, supportez l'avant du lave-vaisselle en abaissant les pattes ou en y plaçant des cales.

18. Retirez le carton d'en dessous du lave-vaisselle.

CONSEIL PRATIQUE :

C'est correct si le lave-vaisselle est un peu serré dans le meuble. Ne retirez pas l'isolant, il réduit le niveau sonore.

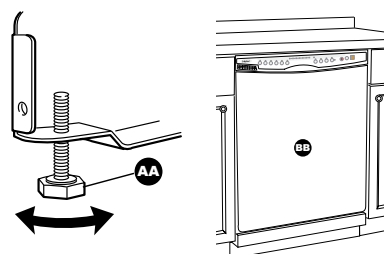
19. Alignez le panneau de la porte "Y" avec les portes d'armoire "Z". Vous aurez peut-être à ajuster l'alignement pour l'apparence voulue.



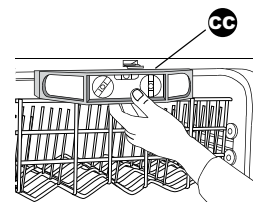
CONSEIL PRATIQUE :

Calez un côté du lave-vaisselle lorsque vous ajustez les pattes avant.

20. Assurez-vous que les pattes de nivellement "AA" sont fermement sur le plancher. Fermez et verrouillez la porte, et placez un niveau contre le panneau avant "BB". Assurez-vous que le lave-vaisselle est d'aplomb. Ajustez les pattes de nivellement ou ajoutez des cales sous les roues arrière jusqu'à ce que le lave-vaisselle soit au niveau. N.B. : Les cales doivent être fixées solidement au plancher pour éviter tout mouvement durant le fonctionnement du lave-vaisselle.



Répétez pour l'autre côté du lave-vaisselle. Placez le niveau sur le dessus à l'avant de la cuve "CC". Assurez-vous que le lave-vaisselle est au niveau dans cette direction. S'il ne l'est pas, ajustez les pattes avant jusqu'à ce qu'il le soit.

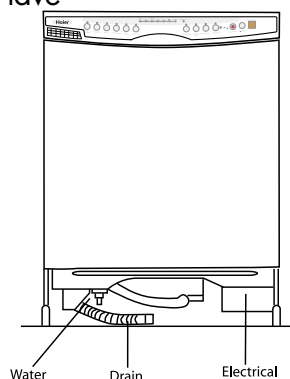


CONNEXION DU LAVE-VAISSELLE

Branchement électrique

Vérifiez les prérequis électriques (voir page 8). Vous devez :

- Avoir une alimentation en électricité et une méthode de mise à terre adéquate
- Vérifiez que le courant est coupé.



Si vous utilisez:	Suivez les étapes:
Branchement direct	1-4
fil électrique	1a

MÉTHODE DE BRANCHEMENT DIRECT

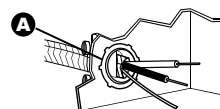
⚠️ AVERTISSEMENT

Risque de choc électrique

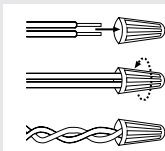
Mise à terre électrique du lave-vaisselle. Connectez le fil de mise à terre au connecteur de mise à terre vert dans la boîte électrique. Si le lave-vaisselle n'est pas mis à terre, vous courez des risques de mort, d'incendie ou de choc électrique.



1. Installez le stabilisateur de tension et placez le fil d'alimentation de manière à ce qu'il ne touche ni au moteur ni à la partie inférieure du lave-vaisselle. Tirez directement le fil « A » à travers le trou dans la boîte électrique.



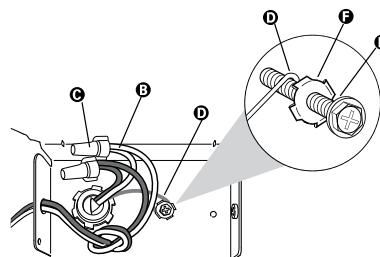
CONSEIL PRATIQUE:



Choisissez la bonne taille de marette pour vous connecter sur votre système électrique. Le calibre du fil du lave vaisselle de 16. Insérez le bout des 2 fils dans la marette. Ne tournez pas les 2 extrémités des fils ensemble avant de les insérer dans la marette. Insérez plutôt les deux bouts de fils délicatement dans la marette puis faites-la tourner jusqu'à ce que les fils soient retenus fermement.

2. Connectez le fil « B » selon les directives en utilisant des marettes de bonnes dimensions « C » pour connecter le fil directement au fil de calibre 16 du lave-vaisselle :

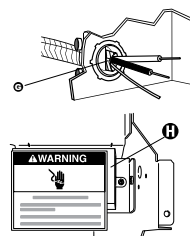
Pliez le fil de mise à terre dénudé « D » en forme de « U ». Enroulez le fil de mise à terre autour du connecteur « E » et sous la rondelle « F » en tournant dans le sens des aiguilles d'une montre. Serrez de façon sécuritaire le connecteur de mise à terre. Ne défaites pas le nœud dans les fils.



Fil d'alimentation		Fil de la boîte électrique
Blanc	↔	Blanc
Noir	↔	Noir
Fil de mise a terre	↔	Connecteur de mise à terre

3. Serrez le collier du connecteur ou du conduit du connecteur "G".

4. Remplacez le couvercle de la boîte électrique « H » en mettant les fils à l'intérieur de la boîte électrique. Allez à l'étape 5. Le couvercle doit être à l'extérieur de la boîte et du bon côté. Assurez-vous que les fils ne sont pas coincés sous le couvercle. Ne laissez pas la boîte électrique sans son couvercle.



1A. BRANCHEMENT AVEC FIL ÉLECTRIQUE

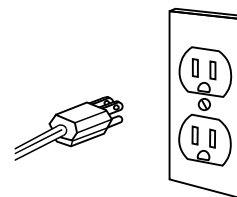
AVERTISSEMENT

RISQUE DE CHOC ÉLECTRIQUE

Branchez le fil électrique dans une prise à trois branches.
N'enlevez pas la branche de mise à terre.
N'utilisez pas d'adaptateurs.
N'utilisez pas de rallonge.
Ne pas respecter ces instructions peut causer la mort, un incendie ou un choc électrique



Assurez-vous que le fil du lave-vaisselle n'est pas en contact avec le moteur de l'appareil ni avec la partie inférieure du lave-vaisselle. Rendez-vous à l'étape 5.

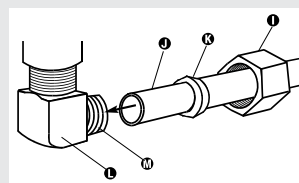


CONNEXION DE L'EAU

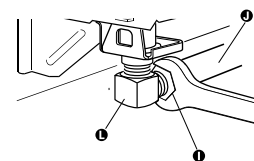
CONSEIL PRATIQUE :

Raccords à compression

1. Insérez le boulon "I" environ 1 po (2.5 cm) à l'intérieur du tuyau de cuivre "J".
2. Insérez l'embout "K" dans le tuyau. Ne le positionnez pas à une extrémité du tuyau.
3. Placez le tuyau dans le coude "L" aussi loin que possible
4. Poussez le boulon et l'embout vers l'avant et commencez à visser le boulon sur le coude fileté "M". Soyez vigilants en manipulant et en plaçant le tube de cuivre, compte tenu qu'il se plie et se tord facilement



5. Pour prévenir les vibrations pendant l'utilisation de l'appareil, faites passer le tuyau d'alimentation d'eau de manière à ce qu'il ne touche ni le bas du lave-vaisselle, ni le cadre ni le moteur.



Assurez-vous que la ligne d'eau passe dans la zone ombragée de l'illustration en page 7 lorsque le lave-vaisselle sera placé dans le meuble.

Avec le tube de cuivre "J" poussé aussi loin que possible, serrez le boulon de compression "I" au coude "L" sur la valve d'entrée d'eau.

6. Placez un papier absorbant sous le coude. Ouvrez l'alimentation d'eau et vérifiez s'il y a fuite.

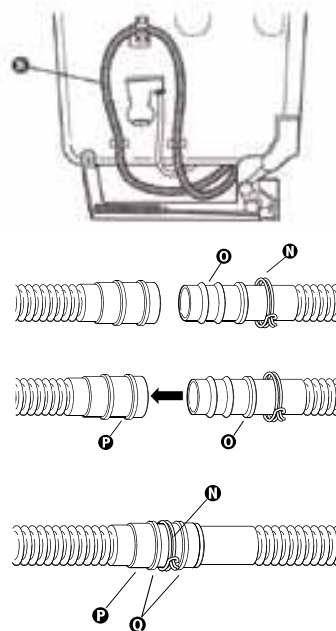
CONNEXION DE LA VIDANGE D'EAU

7. Pour minimiser les risques de bruits de vibrations, faites passer le tuyau de vidange d'eau de manière à éviter tout contact avec le moteur, les ressorts de porte, la ligne d'eau, le meuble, le plancher ou le trou par lequel il passe. N'enlevez pas la boucle "N" du tuyau de vidange fixée sur le lave-vaisselle.

8. Placez un collier de compression plus petit "N" sur la plus petite extrémité du tuyau de drainage "O". Enlevez le bouchon du connecteur "P".

9. Poussez le connecteur de tuyau de vidange "P" jusqu'à la nervure "O" du tuyau de vidange.

10. À l'aide de pinces, ouvrez la serre "N" et glissez-la sur le connecteur "P" entre les nervures "O" du connecteur.



AVERTISSEMENT

Risque de Basculer

N'utilisez votre lave-vaisselle seulement lorsqu'il sera en place définitivement. Ne poussez pas vers le bas lorsque vous ouvrez la porte. Une telle manœuvre présente des risques de blessures graves.



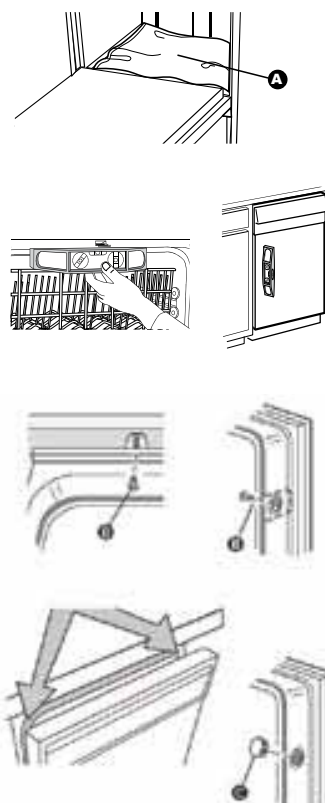
FIXER LE LAVE-VAISSELLE

1. Ouvrez votre lave-vaisselle et placez-y une serviette "A" par dessus l'assemblage de la pompe et du bras rotatif. Cette manœuvre facilitera la récupération de vis qui pourraient tomber pendant que pendant que vous fixez le lave-vaisselle à la face interne du meuble.

2. Assurez-vous que le lave-vaisselle est toujours bien centré et bien au niveau.

3. Fixez le lave-vaisselle au comptoir en utilisant 2 vis étoile No.ST4.2 x 18 "B". Le lave vaisselle DOIT être fixé au comptoir pour l'empêcher de basculer lorsque la porte est ouverte. N'échappez pas de vis dans le fond du lave-vaisselle.

4. Ouvrez la porte d'environ 3 pouces (7.6 cm) et vérifiez l'espace entre l'intérieur de la porte et de la cuve sont à égale distance de chaque côté. Si l'espace n'est pas égal, dévissez légèrement les vis. Lorsque vous aurez stabilisé l'appareil, remettez les capuchons blancs "C" sur les vis. Assurez-vous que le haut de la porte n'entre pas en contact avec des vis, des agrafes ou avec le dessus du comptoir. Si c'est le cas, le lave-vaisselle doit être abaissé et relevé. Retirez la serviette du lave-vaisselle.



INSTALLATION DU JOINT D'ÉTANCHÉITÉ DU MEUBLE

1. Les modèles de lave-vaisselle DWL3525, DWL 4035 et le DWL7075 sont munis d'un sceau d'étanchéité qui aide à l'installation du lave-vaisselle et à la diminution du bruit.
2. Suivez les directives de la page précédente en considérant les exceptions suivantes:

Pour installer le lave-vaisselle dans son espace dans sous le comptoir, glissez lentement le lave-vaisselle en place jusqu'à ce qu'il soit bien centré avant-arrière et de chaque côté. Utilisez les roues arrière et les pattes avant, avec des cales si nécessaire pour ajuster le niveau du lave-vaisselle à la hausse jusqu'à ce que le sceau supérieur touche le dessus intérieur du meuble et que l'appareil soit au niveau.

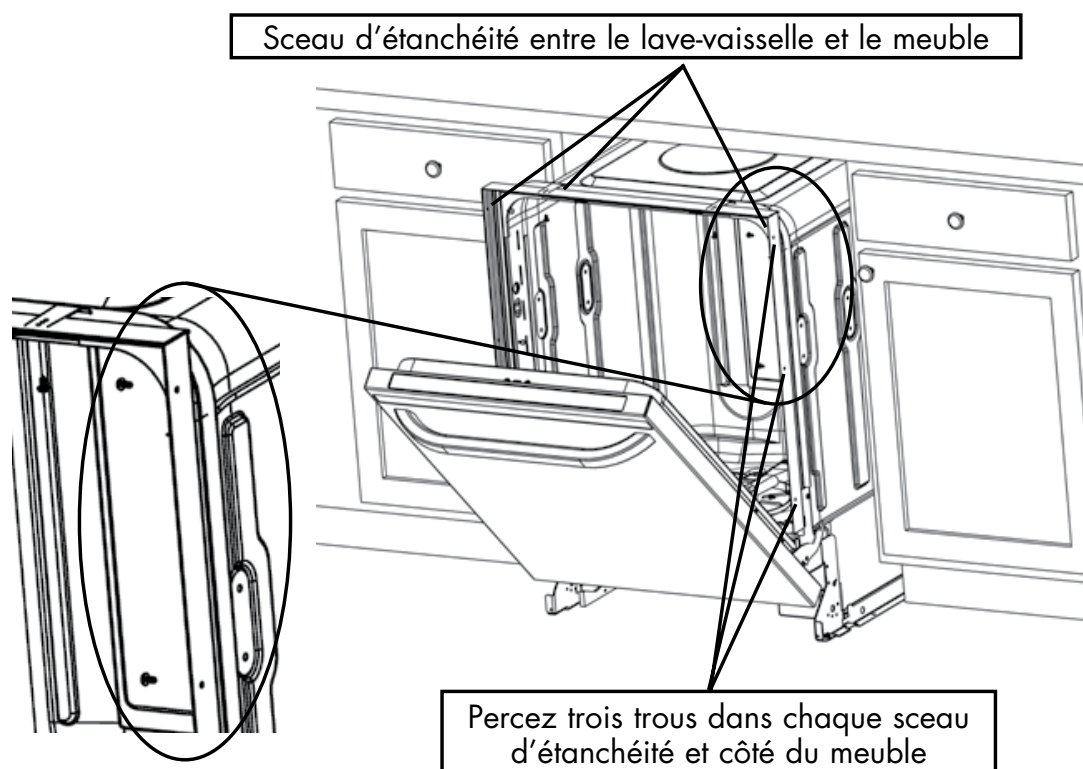
Il peut être nécessaire d'ajuster le sceau d'étanchéité du dessus du meuble s'il dépasse le devant du comptoir. Pour ce faire, faites une marque sur ce sceau vis-à-vis la mesure désirée. Retirez le lave-vaisselle du comptoir et enlevez le sceau et taillez-le à l'aide d'une lame ou d'une scie.

Remplacez le lave-vaisselle dans l'ouverture sous le comptoir en vous assurant de bien positionner l'appareil, bien centré et au niveau.

Vissez le sceau sur la face interne du dessus du comptoir.

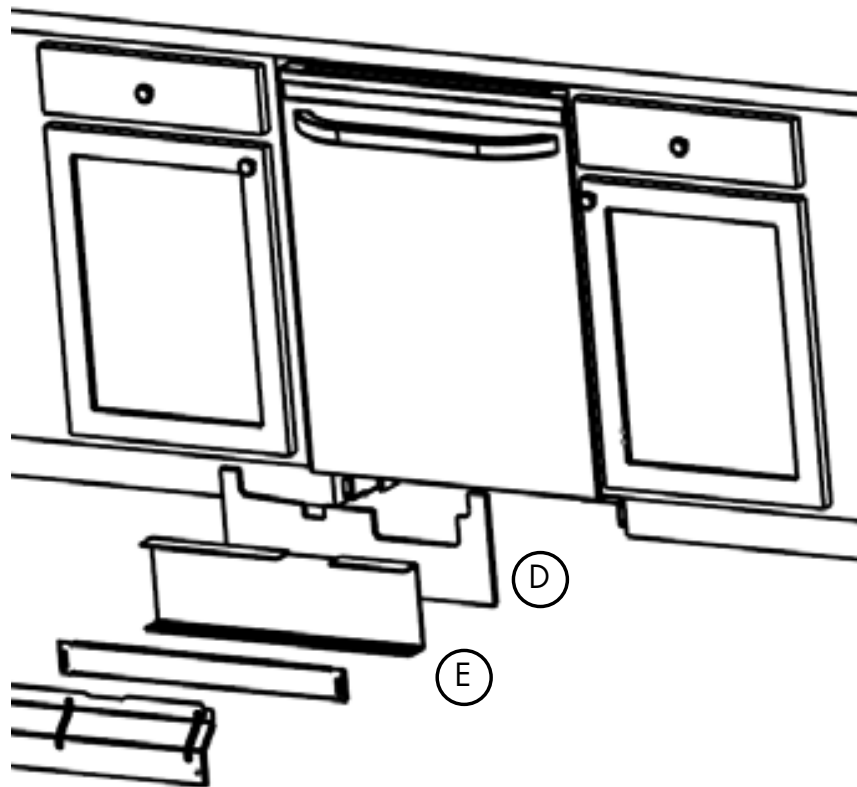
Percez 3 trous dans chaque côté du sceau et du comptoir. Vissez chaque sceau de côté au meuble.

La porte ne doit pas être en contact avec des vis, sceaux, ou le meuble. S'il y a contact, rectifiez la situation en repositionnant le lave-vaisselle de manière à avoir un espace libre tout autour de l'appareil.



INSTALLATION DE MATÉRIEL INSONORISANT SUPPLÉMENTAIRE

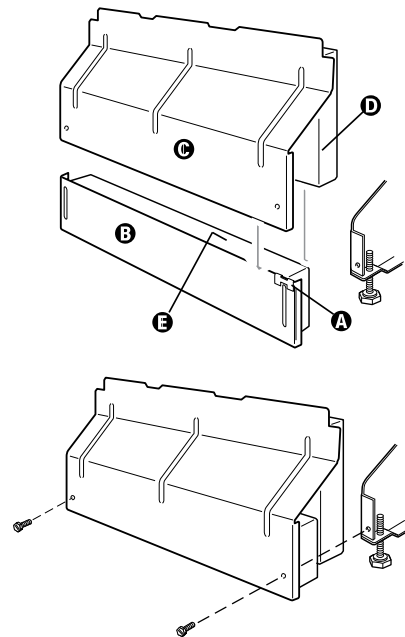
1. Les modèles de lave-vaisselle DWL3525, DWL 4035 et le DWL7075 sont munis de matériel insonorisant supplémentaire. Voyez l'information spécifique à votre modèle, sur la partie inférieur gauche.
2. Placez le coussin d'insonorisation « D » du bon sens tel qu'indiqué et insérez-le sous la porte. Poussez le coussin contre le cadre du lave-vaisselle. La surface supérieure du coussin doit être en contact avec le fond de la cuve du lave-vaisselle. Assurez-vous qu'il ne touche pas aux composants qui sont à proximité.
3. Placez le matelas insonorisant « E » et pliez-le vis-à-vis la rainure supérieure. Poussez-le contre le coussin « D » et pliez-le vis-à-vis la rainure inférieure, de manière à ce qu'il touche au fond du lave-vaisselle et au plancher.



VÉRIFICATION AVANT L'UTILISATION

1. Lisez attentivement toutes les instructions et les mises en garde fournies avec votre lave-vaisselle.
2. Assurez-vous que toutes les pièces sont bien installées, qu'aucune étape n'a été contournée et que vous avez tous les outils que vous avez utilisés.
3. Dans la boîte à fusibles ou disjoncteurs, rétablissez le courant vers le lave-vaisselle. Démarrez votre lave-vaisselle et mettez en marche le plus court des cycles de lavage. Après 2 minutes, déverrouillez la porte, attendez 5 secondes, puis ouvrez la porte. Vérifiez qu'il y a de l'eau dans le fond du lave-vaisselle et vérifiez pour des fuites possibles.
4. Vérifiez que l'agrafe de mise à terre "A" est bien attachée au panneau inférieur. Placez le panneau inférieur "B" derrière le panneau d'accès "C". Certains modèles ont de l'isolation "D" sur le panneau d'accès qui doit tomber derrière l'isolant "E" du panneau inférieur. Tenez les 2 panneaux ensemble et placez-les contre une patte du lave-vaisselle

Revissez les vis dans les trous du panneau d'accès et fixez le panneau inférieur dans les fentes. Vous devez faire en sorte que le bas du panneau inférieur touche le sol. Vissez à droite en premier. Serrez les vis.



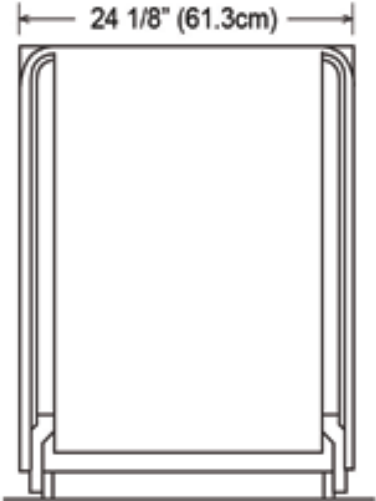
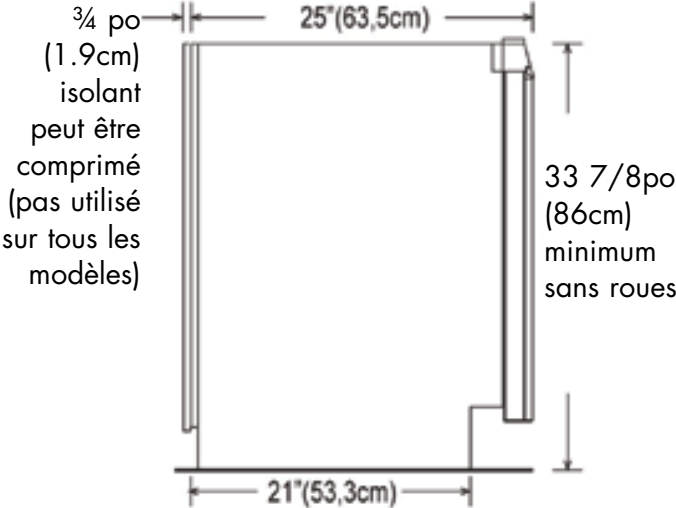
Si le lave-vaisselle ne fonctionne pas:

- Est-ce qu'un fusible ou un disjoncteur ont sauté?
- Est-ce que la porte est bien fermée et bien verrouillée?
- Est-ce que le cycle est bien programmé pour démarrer le lave-vaisselle?
- Est-ce que l'eau est disponible?

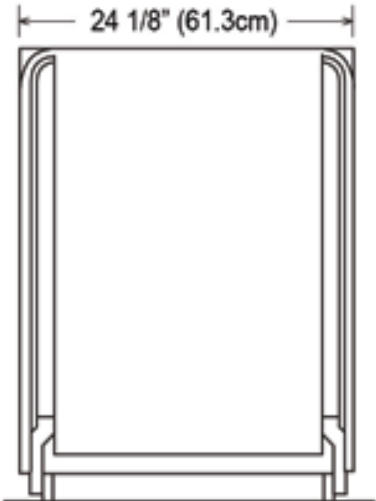
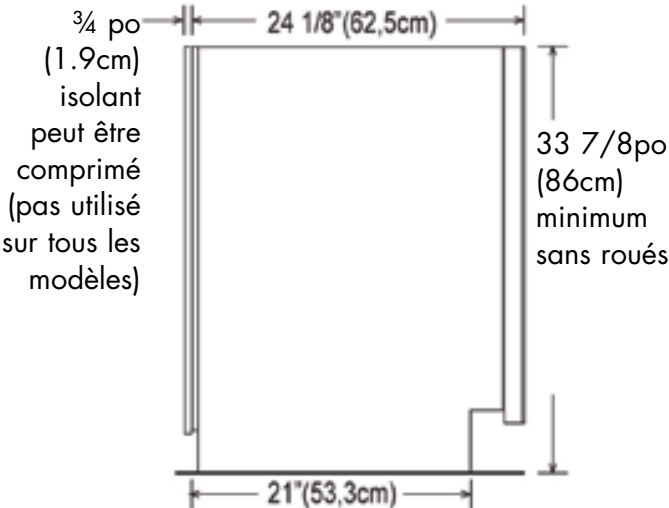
Vue de Côté

Vue de l'arrière

(DWL3025)



(DWL3525/4035/7075)



IMPORTANT

Do Not Return This Product To The Store

If you have a problem with this product, please contact the
"Haier Customer Satisfaction Center" at 1-877-337-3639.

**DATED PROOF OF PURCHASE, MODEL # AND SERIAL #
REQUIRED FOR WARRANTY SERVICE**

IMPORTANTE

No Devuelva Este Producto al Establecimiento Compra.

Si tiene problemas con este producto, por favor póngase en contacto con el "Centro
Haier de Atención al Cliente" en el 1-877-337-3639.

**PARA EL SERVICIO DE GARANTÍA SE REQUIERE PRUEBA DE COMPRA, FECHADA, No. DE
MODELO Y No. DE SERIE**

IMPORTANT

Ne pas Réexpédier ce Produit au Magasin

Pour tout problème concernant ce produit, veuillez contacter le service des
consommateurs 'Haier Customer Satisfaction Center' au 1-877-337-3639.

UNE PREUVE D'ACHAT DATEE EST REQUISE POUR BENEFICIER DE LA GARANTIE.

Made in China

Fabriqué en Chine

Hecho en China

Haier

Haier America
New York, NY 10018

Printed in China

v1: Issued September 2009

v2: Issued June 2010

Dishwasher Installation

© 2010 Haier America Trading, LLC. All Rights Reserved. 101019