

This Owner's Manual is provided and hosted by [Appliance Factory Parts](#).



Wolf WD30 Owner's Manual

[Shop genuine replacement parts for Wolf WD30](#)



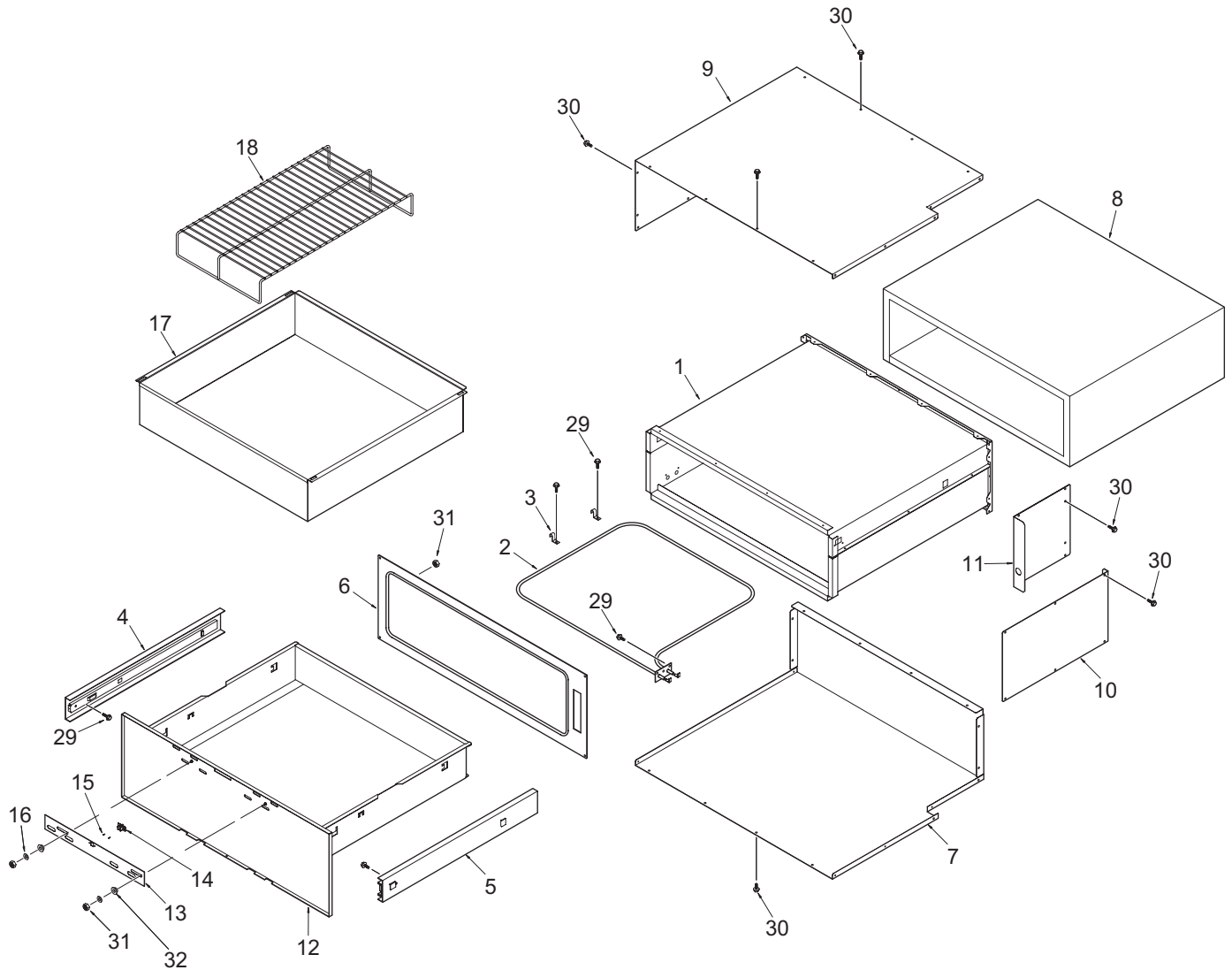
[Find Your Wolf HVAC Parts - Select From 108 Models](#)

----- Manual continues below -----

MODEL WD30 COSMETIC PARTS LIST (Prior to Serial #13005870)

<u>Ref #</u>	<u>Part #</u>	<u>Description</u>
1	803041	Cavity Weldment
2	802514	Heat Element
3	803042	J-Clip, Element Hold Down
4	802515	Drawer Glide, Left
5	802999	Drawer Glide, Right
6	802516	Front Plate Assy. (Includes Seal & Touch Board)
7	803043	Wrapper, Bottom & Back
8	803044	Insulation
9	803045	Wrapper, Top & Left Side
10	803046	Wire Box Cover
11	803047	Control Panel Cover
12	803048	Drawer Frame
13	802521	Vent Slide
14	803049	Vent Slide Knob
15	803050	Vent Slide Clip
16	806954	Washer, #6 Split
17	802520	Drawer Box
18	802517	Wire Rack
19	NA	Board, Touch Control Panel (Part of Front Plate Assy, see 802516)
20	802996	Wire Harness
21	805653	Power Cord Assy (Incl. MOV's and Filter)
22	803052	Power Cord Wire Clip
23	802993	Board, Control
24	802994	Board, Power
25	802995	Ribbon Cable, 4-Pin
26	802998	Thermal Switch Clip
27	803053	Spacer
28	802997	Thermal Switch
29	803054	Screw, 8-32 X 5/16"
30	803055	Screw, 8-18 X 3/8"
31	803056	Nut, 6-32
32	803051	Shoulder Washer

MODEL WD30 COSMETIC EXPLODED VIEW (Prior to Serial #13005870)

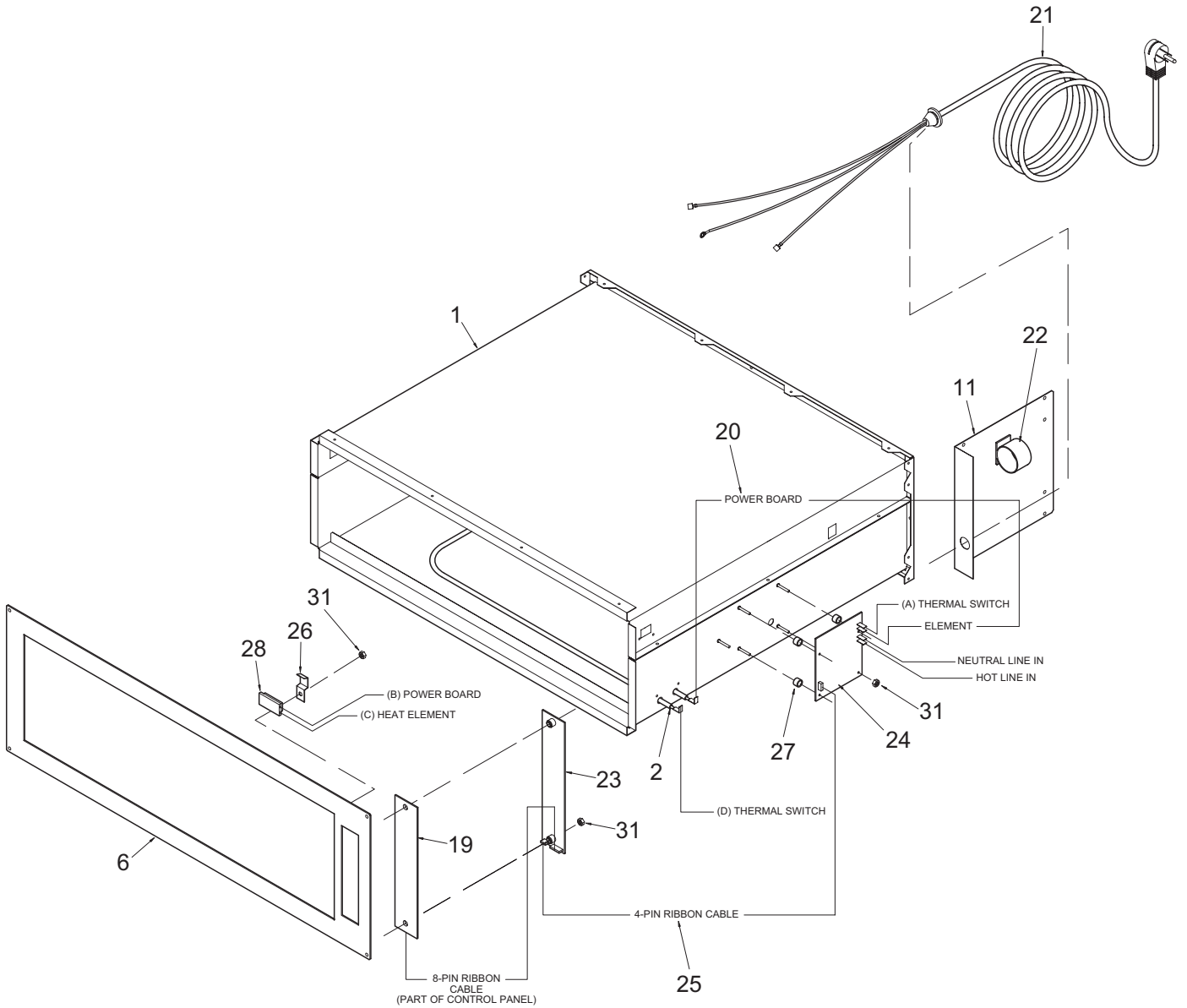


NOTE: For units starting with serial #1300587, see page 5-7.

MODEL WD30 ELECTRICAL PARTS LIST (Prior to Serial #13005870)

<u>Ref #</u>	<u>Part #</u>	<u>Description</u>
1	803041	Cavity Weldment
2	802514	Heat Element
3	803042	J-Clip, Element Hold Down
4	802515	Drawer Glide, Left
5	802999	Drawer Glide, Right
6	802516	Front Plate Assy. (Includes Seal & Touch Board)
7	803043	Wrapper, Bottom & Back
8	803044	Insulation
9	803045	Wrapper, Top & Left Side
10	803046	Wire Box Cover
11	803047	Control Panel Cover
12	803048	Drawer Frame
13	802521	Vent Slide
14	803049	Vent Slide Knob
15	803050	Vent Slide Clip
16	806954	Washer, #6 Split
17	802520	Drawer Box
18	802517	Wire Rack
19	NA	Board, Touch Control Panel (Part of Front Plate Assy, see 802516)
20	802996	Wire Harness
21	805653	Power Cord Assy (Incl. MOV's and Filter)
22	803052	Power Cord Wire Clip
23	802993	Board, Control
24	802994	Board, Power
25	802995	Ribbon Cable, 4-Pin
26	802998	Thermal Switch Clip
27	803053	Spacer
28	802997	Thermal Switch
29	803054	Screw, 8-32 X 5/16"
30	803055	Screw, 8-18 X 3/8"
31	803056	Nut, 6-32
32	803051	Shoulder Washer

MODEL WD30 ELECTRICAL EXPLODED VIEW (Prior to Serial #13005870)

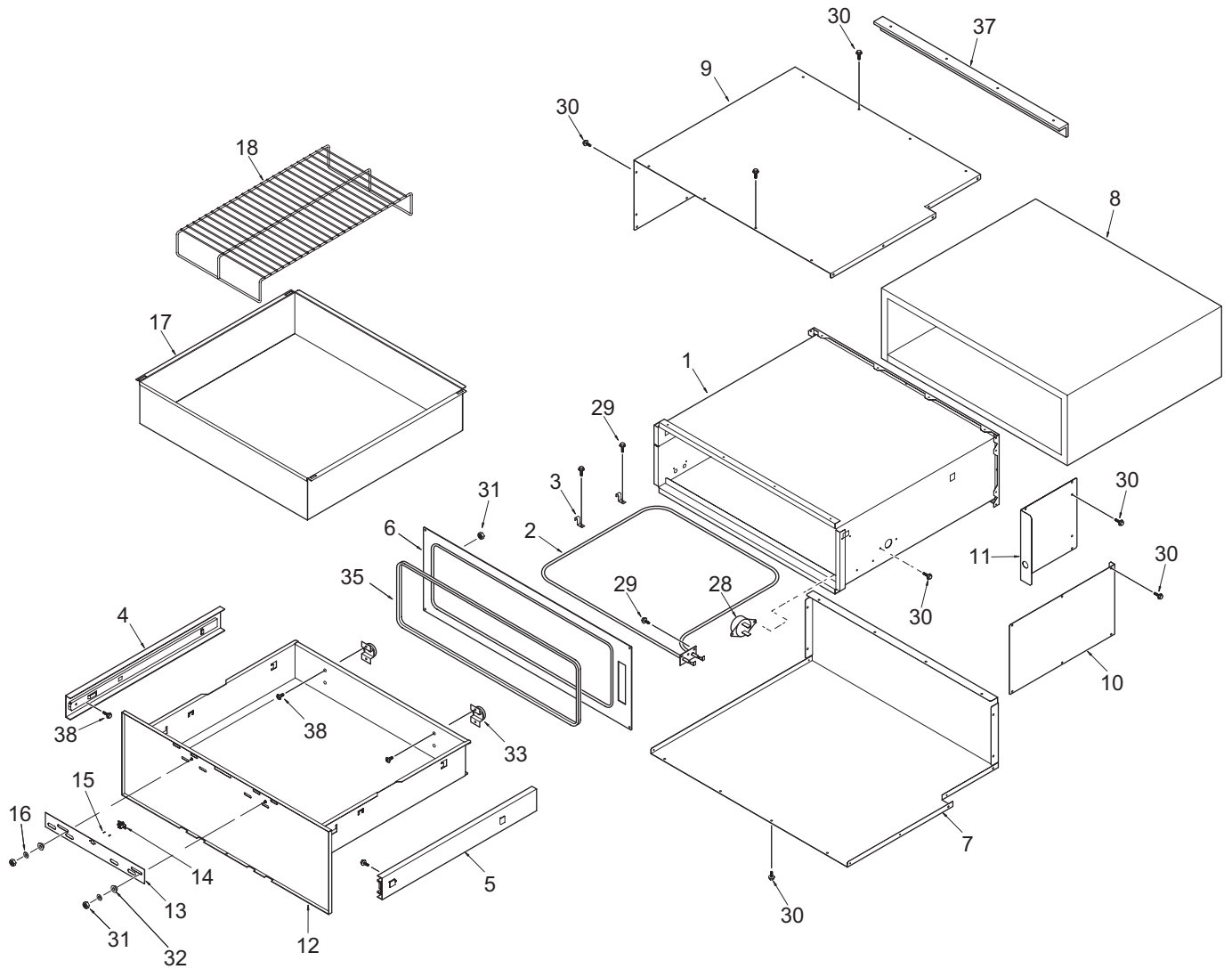


NOTE: For units starting with serial #1300587, see page 5-9.

MODEL WD30 COSMETIC PARTS LIST (Starting with Serial #13005870)

<u>Ref #</u>	<u>Part #</u>	<u>Description</u>
1	806303	Cavity Weldment
2	802514	Heat Element
3	803042	J-Clip, Element Hold Down
4	806312	Slide, LH
5	806313	Slide, RH
6	806304	Front Plate Assy with Touch Board
7	806305	Wrapper, Bottom & Back
8	803044	Insulation
9	806306	Wrapper, Top & Left Side
10	803046	Wire Box Cover
11	803047	Control Panel Cover
12	806307	Door Frame Weldment
13	802521	Vent Slide
14	803049	Vent Slide Knob
15	803050	Vent Slide Clip
16	806954	Washer, #6 Split
17	802520	Drawer Box
18	802517	Wire Rack
19	NA	
20	NA	
21	806310	Power Cord
22	803052	Power Cord Wire Clip
23	806957	Board, Control
24	806958	Board, Power
25	802995	Ribbon Cable, 4-Pin
26	NA	
27	803053	Spacer
28	806309	Thermal Protector
29	803054	Screw, 8-32 X 5/16"
30	803055	Screw, 8-18 X 3/8"
31	803056	Nut, 6-32
32	803051	Shoulder Washer
33	806311	Magnet
34	806308	White Lead Wire
35	806955	Door Seal, Silicone
36	806952	Wire Harness, Black
37	806953	Anti-Tip Bracket
38	806950	Screw, Phillips Head

MODEL WD30 COSMETIC EXPLODED VIEW (Starting with Serial #13005870)

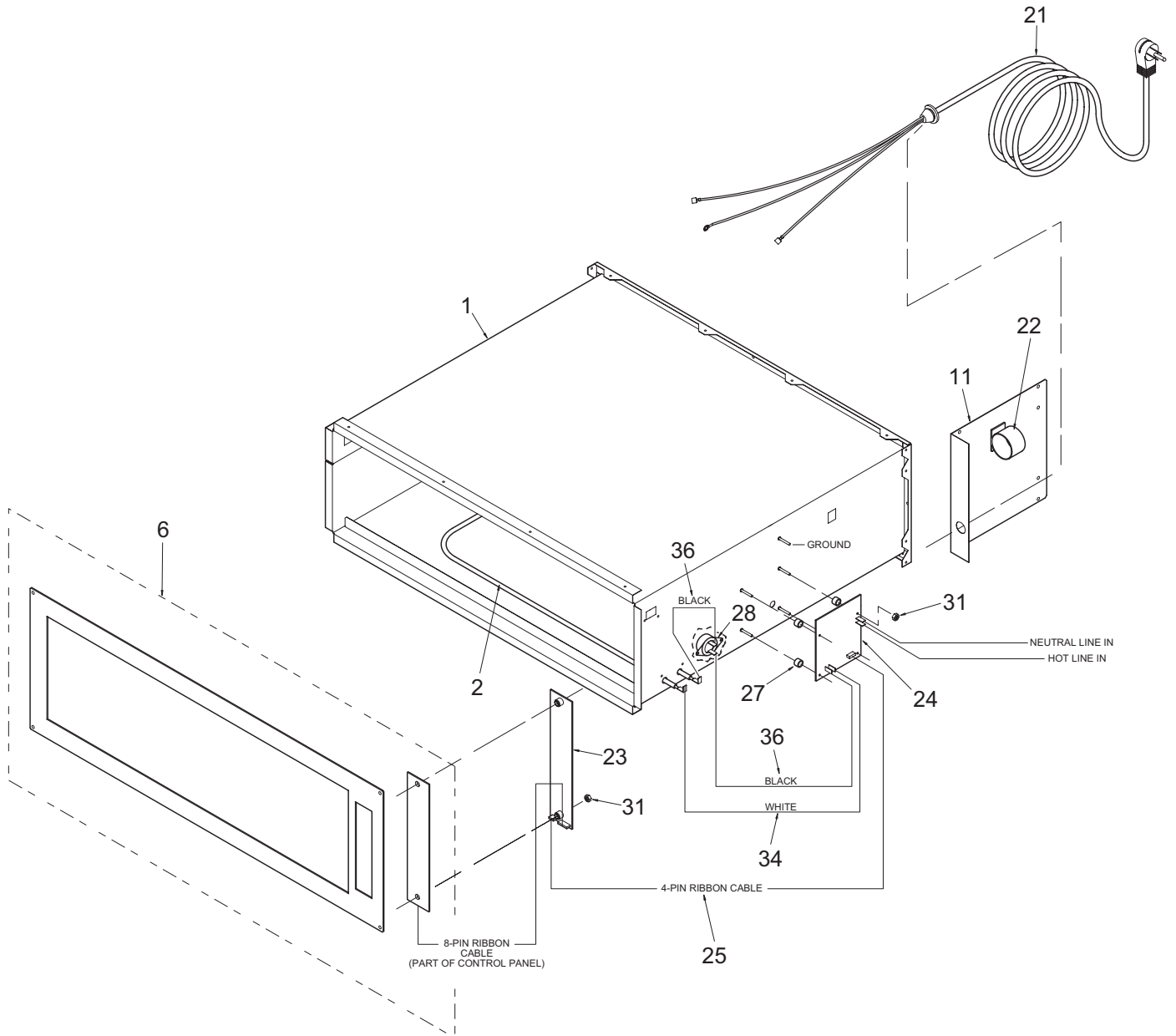


NOTE: For units prior to serial #1300587, see page 5-3.

MODEL WD30 ELECTRICAL PARTS LIST (Starting with Serial #13005870)

<u>Ref #</u>	<u>Part #</u>	<u>Description</u>
1	806303	Cavity Weldment
2	802514	Heat Element
3	803042	J-Clip, Element Hold Down
4	806312	Slide, LH
5	806313	Slide, RH
6	806304	Front Plate Assy with Touch Board
7	806305	Wrapper, Bottom & Back
8	803044	Insulation
9	806306	Wrapper, Top & Left Side
10	803046	Wire Box Cover
11	803047	Control Panel Cover
12	806307	Door Frame Weldment
13	802521	Vent Slide
14	803049	Vent Slide Knob
15	803050	Vent Slide Clip
16	806954	Washer, #6 Split
17	802520	Drawer Box
18	802517	Wire Rack
19	NA	
20	NA	
21	806310	Power Cord
22	803052	Power Cord Wire Clip
23	806957	Board, Control
24	806958	Board, Power
25	802995	Ribbon Cable, 4-Pin
26	NA	
27	803053	Spacer
28	806309	Thermal Protector
29	803054	Screw, 8-32 X 5/16"
30	803055	Screw, 8-18 X 3/8"
31	803056	Nut, 6-32
32	803051	Shoulder Washer
33	806311	Magnet
34	806308	White Lead Wire
35	806955	Door Seal, Silicone
36	806952	Wire Harness, Black
37	806953	Anti-Tip Bracket

MODEL WD30 ELECTRICAL EXPLODED VIEW (Starting w/Serial #13005870)



NOTE: For units prior to serial #1300587, see page 5-5.