

This Owner's Manual is provided and hosted by [Appliance Factory Parts](#).



Haier HMC725SESS Owner's Manual

[Shop genuine replacement parts for Haier
HMC725SESS](#)

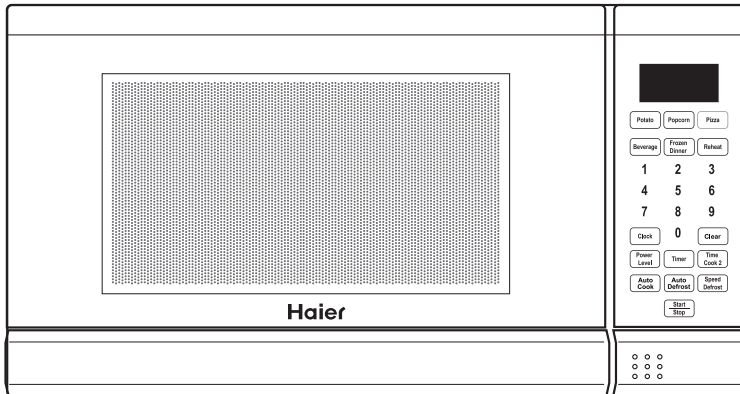


[Find Your Haier Microwave Parts - Select From 110 Models](#)

----- Manual continues below -----

Microwave Oven
Micro-ondes
Horno Microondas

User Manual
Guide de l'Utilisateur
Manual del Usuario Modelo
HMC720BEWW, HMC720BEBB,
HMC725SESS



*Design may vary by model number.
El diseño puede variar conforme al número de modelo*

Haier[®]

SMARTER LIFE BETTER PLANET

TABLE OF CONTENTS

SAFETY INFORMATION	
Precautions to Avoid Possible Exposure to Excessive Microwave Energy.....	2
A Special Note on Arcing	2
Addendum.....	2
Important Safety Instructions	3-5
Grounding Instructions	6
Cookware and Utensil Guide	7-8
SET UP & USE	
Specifications.....	9
Installation Guide	9
Parts & Features.....	10
Control Panel.....	11
Operation Instructions	12-14
Convenience Cooking Settings	14-15
Cooking Techniques.....	16
CLEANING AND CARE	17
TROUBLE SHOOTING & WARRANTY	
Before You Call For Service	18
Customer Service	18
Limited Warranty	19

PRODUCT REGISTRATION

Thank you for purchasing our Haier product. This easy-to-use manual will guide you in getting the best use of your microwave oven.

Remember to record the model and serial numbers. They are on a label inside of the microwave oven.

Model number

Serial number

Date of purchase

Staple your receipt to your manual. You will need it to obtain warranty service.

PRECAUTIONS TO AVOID POSSIBLE EXPOSURE TO EXCESSIVE MICROWAVE ENERGY

- A. Do not attempt to operate this oven with the door open. This can result in harmful exposure to microwave energy. It is important not to disable or tamper with the safety interlocks.
- B. Do not place any object between the oven front face and the door or allow soil or cleaner residue to accumulate on sealing surfaces.
- C. Do not operate the oven if damaged. It is especially important that the oven door closes properly and that there is no damage to the:
 1. DOOR (bent)
 2. HINGES AND LATCHES (broken or loosened)
 3. DOOR SEALS AND SEALING SURFACES
- D. The oven should not be adjusted or repaired by anyone except properly qualified service personnel.

A SPECIAL NOTE ON ARCING

"Arcing" refers to the presence of sparks inside the microwave oven. It can be caused by:

- Metal or foil touching the inside walls of the oven.
- Foil not closely molded to food, where edges have been left sticking up.
- Small metal parts such as twist-ties, poultry pins, or gold-rimmed dishes.
- Recycled paper towels which may contain small amounts of metal.

CAUTION

IF YOU SEE SPARKS IN YOUR MICROWAVE OVEN, IMMEDIATELY PRESS STOP/START TO CEASE COOKING AND CORRECT THE PROBLEM.

ADDENDUM

If this product is not maintained in a good state of cleanliness, its surface could be degraded. This could affect the lifespan of the product and lead to a dangerous situation.

IMPORTANT SAFETY INSTRUCTIONS

ENGLISH

⚠ WARNING

When using electrical appliances, basic safety precautions should be followed, including the following:

WARNING - To reduce the risk of burns, electric shock, fire, and injury to persons or exposure to excessive microwave energy:

1. Read all instructions before using the appliance.
2. Read carefully and follow the specific "PRECAUTIONS TO AVOID POSSIBLE EXPOSURE TO EXCESSIVE MICROWAVE ENERGY" on page 2.
3. This appliance must be grounded. Connect only to properly grounded outlet. See "GROUNDING INSTRUCTIONS" on page 6.
4. Install or position this appliance only in accordance with the provided installation instructions on page 9.
5. Some products such as whole eggs and sealed containers -for example, closed glass jars- can potentially explode and should not be heated in this oven.
6. Use this appliance only for the intended uses as described in this manual. This type of oven is specifically designed to heat, cook, or dry food. It is not designed for industrial or laboratory use. Do not use corrosive chemicals or vapors in this appliance.
7. As with any appliance, close supervision is necessary when used by children.
8. To reduce the risk of fire in the oven cavity:
 - Do not overcook food. Carefully attend the appliance when paper, plastic, or other combustible materials are placed inside the oven to facilitate cooking.
 - Remove wire twist-ties from paper or plastic bags before placing bag in oven.

IMPORTANT SAFETY INSTRUCTIONS

- If materials inside the oven ignite, keep oven door closed, turn oven off, and disconnect the power cord or shut off power at the fuse or circuit breaker panel.
 - Do not use the cavity for storage purpose. Do not leave paper products, cooking utensils or food inside the cavity when not in use.
9. Liquids, such as water, coffee, or tea can be overheated beyond the boiling point without appearing to be boiling due to surface tension of the liquid. Visible bubbling or boiling when the container is removed from the microwave oven is not always present. **THIS COULD RESULT IN VERY HOT LIQUIDS SUDDENLY BOILING OVER WHEN A SPOON OR OTHER UTENSIL IS INSERTED INTO THE LIQUID.**
 10. Do not heat oil or fat for deep-frying. It is difficult to control the temperature of oil in a microwave oven.
 11. Foods with heavy skins such as potatoes, whole squash, apples and chestnuts should be pierced with a fork or the tip of a sharp knife before cooking.
 12. The contents of feeding bottles and baby food jars should be stirred or shaken and the temperature should be checked before serving in order to avoid burns.
 13. Cooking utensils may become hot because of heat transferred from the heated food. Pot holders may be needed to handle the utensil.
 14. Do not cover or block any openings on the appliance.
 15. Do not store or use this appliance outdoors. Do not use this product near water, for example, near a kitchen sink, in a wet basement, near a swimming pool, or similar locations.
 16. Do not operate this appliance if the cord or plug is damaged, if it is not working properly, or if it has been damaged or dropped.
 17. Do not immerse cord or plug in water. Keep cord away from heated surfaces. Do not let cord hang over the edge of a table or counter.

IMPORTANT SAFETY INSTRUCTIONS

ENGLISH

18. Use only thermometers, specifically designed for use in microwave ovens.
19. Be certain the glass tray and roller rings are in place before operating the oven
20. This appliance should be serviced only by qualified service personnel. Contact nearest authorized service facility for examination, repair, or adjustment.
21. When cleaning sealing surfaces of the oven, such as the door jamb, use only mild, nonabrasive soaps, or mild detergents applied with a sponge or soft cloth.

**SAVE THESE INSTRUCTIONS
HOUSEHOLD USE ONLY**

GROUNDING INSTRUCTIONS

ELECTRICAL REQUIREMENTS

The electrical requirements are a 120 volt 60 Hz, AC only, 15 amp. It is recommended that a separate circuit serving only the oven be provided. The oven is equipped with a 3-wire cord having a 3-prong grounding plug. It must be plugged into a wall receptacle that is properly installed and grounded.

This appliance must be grounded. In the event of an electrical short circuit, grounding reduces risk of electric shock by providing an escape wire for the electric current. The cord provided with this appliance is equipped with a grounding wire and a grounding plug. The plug must be plugged into an outlet that is properly installed and grounded. Do not attempt to defeat this safety feature by modifying the plug in any way.

⚠ WARNING

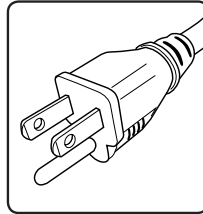
Improper use of the grounding plug can result in a risk of electric shock.

Consult a qualified electrician or serviceman if:

- 1) The grounding instructions are not completely understood.
- 2) You are unsure that the appliance is properly grounded.
- 3) You have any questions about the grounding or electrical instructions.

POWER SUPPLY CORD

1. A short power supply cord is provided to reduce the risk of becoming entangled in or tripping over a longer cord.
2. If the power supply cord is too short, do not use an extension cord. Have a qualified electrician or serviceman to install an outlet near the appliance.
3. If it is absolutely necessary to use longer cord sets or an extension cord, extreme care must be exercised.
 - a) Use only a grounding type 3-wire extension cord that has a 3-blade grounding plug and a 3-slot receptacle that will accept the plug on the appliance.
 - b) The marked electrical rating of the cord set or extension cord must equal to or greater than the electrical rating of the appliance. The longer cord should be arranged so that it will not drape over the counter top or table top where it can be pulled on by children or tripped over unintentionally.



NOTE: Neither Haier nor the dealer can accept any liability for damage to the oven or personal injury resulting from failure to observe the electrical connection procedures.

This section lists which utensils can be used in the microwave, which have limited use, and which should not be used in the microwave at all.

RECOMMENDED

- Microwave browning dish: Use to brown the exterior of small items such as steaks, chops, or pancakes. Follow the directions provided with your browning dish.
- Microwaveable plastic wrap: Use to retain steam. Leave a small opening for some steam to escape and avoid placing it directly on the food.
- Paper towels and napkins: These absorb excess moisture and prevent spattering. Use for short-term heating and covering. Do not use recycled paper towels, which may contain metal and could ignite.
- Heat-proof glass or glass-ceramic bowls and dishes: Use for heating or cooking.
- Paper plates and cups: Use for short-term heating at low temperatures. Do not use recycled paper, which may contain metal and could ignite.
- Wax paper: Use as a cover to prevent spattering.
- Thermometers: Use only those labeled "Microwave Safe" and follow all directions. Check the temperature of food in several places. Conventional thermometers may be used on microwaved food once the food has been removed from the oven.

LIMITED USE

- Aluminum foil: Smooth, narrow strips of foil may be used to shield delicate areas on food items like drumsticks and wings to prevent overcooking.

NOTE: Using too much foil can damage your oven, so be careful.

- Ceramic, porcelain, and stoneware: Use these only if they are labeled "Microwave Safe". If they are not labeled, test them to make sure they can be used safely.
- Plastic: Use only if labeled "Microwave Safe". Other plastics can melt.
- Straw, wicker, and wood: Use only for short-term heating, such as warming dinner rolls for a few seconds. Baskets and bowls may be flammable.

COOKWARE AND UTENSIL GUIDE CONT.

NOT RECOMMENDED

- Glass jars and bottles: Regular glass is too thin to be used in a microwave. It can shatter, causing damage and injury.
- Paper bags: These are a fire hazard, except for popcorn bags that are designed for microwave use.
- Styrofoam plates and cups: These can melt and leave a harmful chemical residue on food.
- Plastic storage and food containers: Containers meant for cold storage, such as margarine tubs, can melt in the microwave.
- Metal utensils: These can damage your microwave oven. Remove all metal from food and containers before cooking.

NOTE: To test if a dish is safe for microwaving, place the empty dish in the oven and microwave on HIGH for 30 seconds. A dish which becomes very hot should not be used.

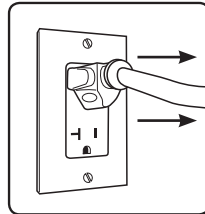
- Parchment paper: Use as a cover to prevent spattering or as a wrap for steaming.
- Aluminum tray: May cause arcing. Transfer food to a microwave-safe container.
- Take-out carton with metal handle: May cause arcing. Transfer food to a microwave-safe container.
- Metal or metal-trimmed utensils: Metal cookware, metal trim, and metallic glazes may cause arcing.
- Wood: Wood will dry out when used in the microwave oven and may split or crack.

SPECIFICATIONS

Power Consumption:	120V~60Hz, 1050W
MWO Power:	700W
Operation Frequency:	2450MHz
Oven Cavity Dimensions (H x W x D):	8-11/16" x 12-2/5" x 11-5/8"
Oven Capacity:	0.7 cubic feet
Cooking Uniformity:	Turntable Diameter 9-5/8"
Net Weight:	Approx. 23.2 lbs.

INSTALLATION GUIDE

1. Make sure that all the packing materials are removed from the inside of the door.
2. Check the oven for any damage, such as misaligned or bent door, damaged door seals and sealing surfaces, broken or loose door hinges and latches, and dents inside the cavity or on the door. If there is any damage, do not operate the oven. Contact qualified service personnel.
3. This microwave oven must be placed on a flat, stable surface capable of supporting the weight of the oven plus the heaviest food likely to be cooked in the oven.
4. Do not place the oven where heat, moisture, or high humidity are generated, or near combustible materials.
5. To function correctly, the oven must have sufficient airflow on all sides. Allow 8" of space above the oven, 4" at back, and 2" at both sides. Do not cover or block any openings on the appliance. Do not remove feet on which oven stands.
6. Do not operate the oven without glass tray, roller support, and shaft in their proper positions.
7. Make sure that the power supply cord is undamaged and does not run under the oven or over any hot or sharp surface.
8. The socket must be readily accessible so that the cord can be quickly reached and easily unplugged in an emergency.



RADIO OR TV INTERFERENCE

Should the microwave oven cause interference to your radio or TV, check that the microwave oven is on a different circuit, relocate the radio or TV as far away from the oven as possible or check position and signal of receiving antenna.

PARTS & FEATURES

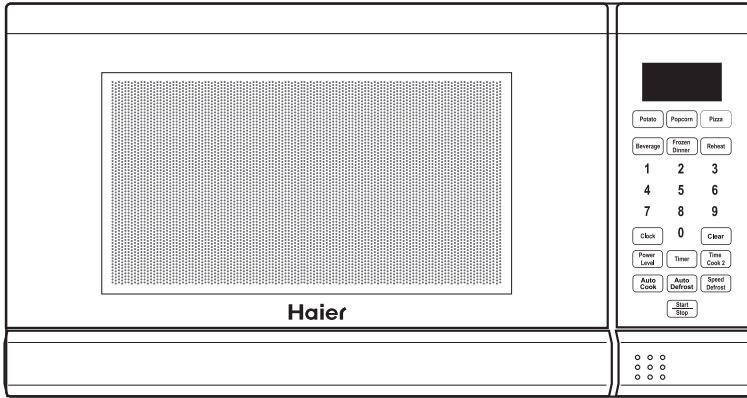
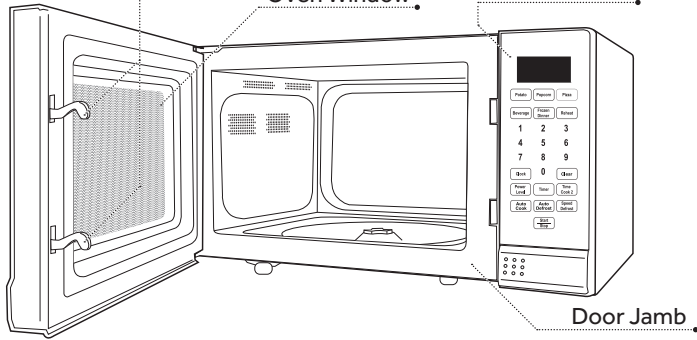


Diagram for instructional purposes only.
Design may vary by model number.

Door Safety Lock System

Oven Window

Control Panel

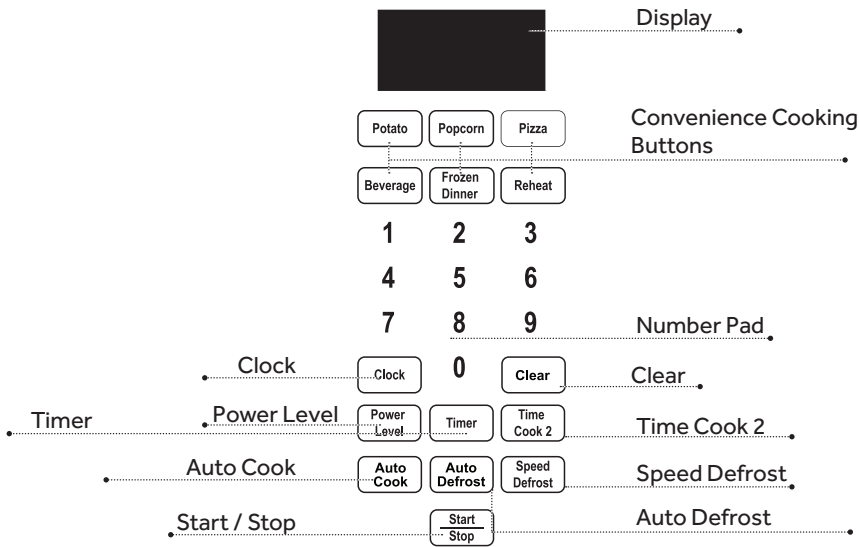


Door Jamb

Turntable Roller

Glass Tray





DISPLAY

Shows cooking time, power, indicators and present time.

CONVENIENCE COOKING BUTTONS

Instant settings to cook popular foods

TIMER

Timer functions independently, even while a cooking program is in progress.

POWER LEVEL

Use to set power level. Also lets you check power level during cooking.

TIME COOK 2

Use for multi-stage cooking. Enables cooking at multiple power and time settings automatically.

AUTO COOK

Programs cooking based on the weight of the foods to be cooked.

AUTO DEFROST

Programs defrosting based on the weight of the foods to be defrosted.

SPEED DEFROST

Quickly and effectively defrosts foods by alternating defrost and stand times.

NUMBER PAD (0-9)

Use to manually set time or weight.

CLEAR

Clears all previous settings or sets the child lock.

CLOCK

Use to set the time of day or recall the time of day.

START/STOP

Touch to start or stop cooking.

OPERATION INSTRUCTIONS

SIGNALS DURING OVEN SETTINGS

ONE BEEP: Oven accepts the entry.
TWO BEEP: Oven does not accept the entry, check and try again.

SETTING THE CLOCK

1. Touch CLOCK pad.
2. Use the number pad to enter the correct time.
3. Touch CLOCK pad again.

NOTE: This is a 12-hour clock. When the oven is first plugged in or when power resumes after a power interruption, the display will show ENTER CLOCK TIME. If you prefer to not have the clock displayed, touch RESET.

SETTING THE TIMER

The timer operates as a minute timer.

1. Press Timer pad.
2. Enter the amount of time you want to count down.
3. Press the Start pad. When the time is up, the timer will signal.

NOTE: The timer operates without microwave energy.

SETTING THE POWER LEVEL

The default power output setting is 100%. If you want to set a power level other than 100%, touch POWER LEVEL, and then use the number pad to enter the power level.

NUMBER PAD	COOKING POWER	NUMBER PAD	COOKING POWER
10	100%	5	50%
9	90%	4	40%
8	80%	3	30%
7	70%	2	20%
6	60%	1	10%

SETTING A COOKING PROGRAM

A. Single-stage cooking

1. Use the number pad to set a cooking time. You can set a cooking time from one second to 99 minutes and 99 seconds.
2. Set the Power Level if other than 100%.
3. Touch START/STOP to start cooking.

B. Multiple-stage cooking

Some foods or recipes require different stages of cooking at different temperatures.

1. SET STAGE 1:
Follow steps 1 and 2 in "Single-stage Cooking". Do not touch START/STOP.
2. SET STAGE 2:
Touch TIME COOK 2 then enter proper cooking time and (lower) power level. Most Multiple-Stage recipes use lower power for second stage.
3. Touch START/STOP to start cooking.

NOTE: After stage 1 time has elapsed, one beep sounds, signaling the beginning of stage 2.

- After total time has elapsed, the system will beep with END in the display. The beeps will continue to sound automatically every two minutes until the door is opened or any button is touched.

SPEED DEFROST

1. Touch SPEED DEFROST.
2. Enter desired defrosting time with the number pad.
3. Touch START/STOP.

NOTE: Remove meat from package and place on microwave safe dish.

- After total time has elapsed, the system will sound beeps with END in the display. The beeps will continue to sound automatically every two minutes until the door is opened or any button is touched.
- After setting SPEED DEFROST, oven can be programmed to automatically switch to single or multiple-stage cooking.
- For speed defrost and single stage cooking, follow steps above. Before touching START/STOP, touch TIME COOK 2, enter time and power level and then touch START/STOP.
- For speed defrost and multiple stage cooking, follow steps above. Before touching START/STOP, touch TIME COOK 2, enter two-stage cooking programs and then touch START/STOP to start.

AUTO COOK

1. Touch AUTO COOK.
2. Select food code using numbers 1-3 on the number pad.
3. Enter food weight.
4. Touch START/STOP.

AUTO COOK FOOD CODES

CODE	TYPE	MAX WEIGHT
1	Beef	5 lb. 16 oz.
2	Lamb	5 lb. 16 oz.
3	Pork	5 lb. 4 oz.

NOTE: Meat must be defrosted and at refrigerated temperature.

- Weight must be in pounds and ounces.

- Ounce weights less than 10 must be preceded by a 0. If label gives weight in pounds only, change the fraction of a pound to ounces using the chart on the next page.
Example: 1 lb. 8 oz. = 108
2 lb. 12 oz. = 212
- During cooking, the system will pause automatically and beep to remind users to turn meat over. After turning, touch START/STOP to resume cooking.
- After total time has elapsed, the system will sound several beeps with END in the display. The beeps will continue to sound automatically every two minutes until the door is opened or any button is touched.

AUTO DEFROST

1. Touch AUTO DEFROST pad.
2. Enter food weight with the number pad.
3. Touch START/STOP pad to start cooking.

NOTE: Weight must be in pounds and ounces. Ounce weights less than 10 must be preceded by a 0. If label gives weight in pounds only, change the fraction of a pound to ounces using the chart on the following page.

- During defrosting, you need to turn food over for uniform defrosting. After turning, touch START/STOP pad to resume defrosting.
- After total time elapsed, the system will sound several beeps with END in the display. The beeps will continue to sound automatically every two minutes until the door is opened or any button is touched.

OPERATION INSTRUCTIONS CONT.

CONVERTING FRACTIONS OF A POUND TO OUNCES

FRACTIONS OF A LB.	OUNCES	FRACTIONS OF A LB.	OUNCES
Less than .03	0	.54 to .59	9
.03 to .09	1	.60 to .65	10
.10 to .15	2	.66 to .71	11
.16 to .21	3	.72 to .78	12
.22 to .27	4	.79 to .84	13
.28 to .34	5	.85 to .90	14
.35 to .40	6	.91 to .97	15
.41 to .46	7	Above .97	Go to next even
.47 to .53	8		

SETTING CHILD LOCK

The safety lock prevents unsupervised operation by children. Set the function in standby mode.

To set: Press and hold CLEAR for 3 seconds. LOCK is indicated on the display.

To cancel: Press and hold CLEAR for 3 seconds. LOCK disappears from the display.

CONVENIENCE COOKING SETTINGS

The CONVENIENCE COOKING settings allow you to cook or reheat food automatically without entering power level or time.

For smaller portions, simply touch the desired button then START/STOP.

For larger portions, push the desired number twice.

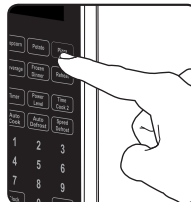
FROZEN DINNER, BAKED POTATO and BEVERAGE allow you to cook multiple amounts of the same food. Simply touch pad once, and ENTER AMT appears in the display. Enter the amount of servings and press START/STOP.

POPCORN

For a 3.5 oz. bag of microwave popcorn:

1. Touch POPCORN once.
2. Touch START/STOP.

NOTE: To change the preset POPCORN time: Touch POPCORN twice. ENTER TIME appears in display. Enter desired cooking time on number pad. Touch START/STOP. This new cooking time will remain whenever you use the POPCORN setting until you CLEAR it.



BAKED POTATO

For potatoes (4 ~6 oz. each):

NOTE: Potatoes should be pierced with a fork or the tip of a sharp knife before cooking to prevent bursting.

1. Touch BAKED POTATO once.
2. Enter number of potatoes (1 - 4).
3. Touch START/STOP.

For larger potatoes (8~10 oz. each):

1. Touch BAKED POTATO twice.
2. Enter number of potatoes (1 - 4).
3. Touch START/STOP.

PIZZA

Reheating a slice of pizza:

1. Touch PIZZA once.
2. Touch START/STOP.

Heating a whole pizza:

1. Touch PIZZA twice.
2. Touch START/STOP.

BEVERAGE

For smaller cups (5 ~ 7 oz. each):

1. Touch BEVERAGE once.
2. Enter number of cups by touching number pad from 1 to 4.
3. Touch START/STOP.

For larger coffee mugs (9~11 oz. each):

1. Touch BEVERAGE twice.
2. Enter number of mugs by touching number pad from 1 to 4.
3. Touch START/STOP.

FROZEN DINNER

For one or two small frozen dinners (7~ 9 oz. each):

1. Touch FROZEN DINNER once.
2. Select 1 or 2 for number of entrees.
3. Touch START/STOP pad.

Larger frozen dinners (10 ~ 12 oz. each):

1. Touch FROZEN DINNER twice.
2. Select 1 or 2 for number of entrees.
3. Touch START/STOP.

REHEAT

1. Touch REHEAT pad.
2. Touch START/STOP.

NOTE:

This setting is meant for reheating a plate of chilled leftovers.

COOKING TECHNIQUES

Your microwave can make cooking quicker and easier than conventional cooking. For best results, exercise the following techniques:

STIRRING

Stir foods such as casseroles and vegetables while cooking to distribute heat evenly. Food at the outside of the dish absorbs more energy and heats more quickly, so stir from the outside to the center. The oven will pause automatically when you open the door to stir your food.

ARRANGEMENT

Arrange unevenly shaped foods, such as chicken pieces or chops, with the thicker, meatier parts toward the outside of the turntable where they receive more microwave energy. To prevent overcooking, place delicate areas, such as asparagus tips, toward the center of the turntable.

SHIELDING

You may shield food with narrow strips of aluminum foil to prevent overcooking. Areas that need shielding include poultry wing-tips, the ends of poultry legs, and corners of square baking dishes. Use only small amounts of aluminum foil. Larger amounts can damage your oven. Apply foil strips as smoothly as the food item allows, avoiding creases wherever possible.

TURNING

Turn foods over midway through cooking to expose all parts to microwave energy. This is especially important with large items such as roasts.

STANDING

Foods cooked in the microwave build up internal heat and continue to cook for a few minutes after heating stops. Let foods stand to complete cooking, especially foods such as cakes and whole vegetables. Roasts need this time to complete cooking in the center without overcooking the outer areas. All liquids, such as soup or hot chocolate, should be shaken or stirred prior to cooking, midway through, and when cooking is complete. Let liquids stand a moment before serving. When heating baby food, stir well at removal and test the temperature before serving.

ADDING MOISTURE

Microwave energy is attracted to water molecules. Food that is uneven in moisture content should be covered or allowed to stand so that the heat disperses evenly. Add a small amount of water to dry food to help it cook.

1. Keep the inside of the oven clean. When food splatters or spilled liquids adhere to oven walls, wipe with a damp cloth. Mild detergent may be used if the oven gets very dirty. Avoid the use of spray and other harsh cleaners as they may stain, streak or dull the door surface.
2. When cleaning surfaces such as the door jamb, use only mild, nonabrasive soaps, or mild detergents applied with a sponge or soft cloth.
3. Turn off the oven and unplug the power cord from the wall socket before cleaning.
4. The outside surfaces should be cleaned with a damp cloth. To prevent damage to the operating parts inside the oven, water should not be allowed to seep into the ventilation openings.
5. Wipe the window on both sides with a damp cloth to remove any spills or splatters.
6. Do not allow the control panel to get wet. Clean with a soft, damp cloth. When cleaning the control panel, leave oven door open to prevent oven from accidentally turning on.
7. If steam accumulates inside or around the outside of the oven door, wipe with a soft cloth. This may occur when the microwave oven is operated under high humidity conditions. This is normal in such conditions.
8. It may be necessary to remove the glass tray for cleaning. Wash the tray in warm sudsy water or in a dishwasher.
9. The roller ring and oven floor should be cleaned regularly. Simply wipe the bottom surface of the oven with mild detergent. The roller ring may be washed in mild sudsy water or dishwasher. When removing the roller ring from cavity floor for cleaning, be sure to replace in the proper position.
10. Remove odors from your oven by combining a cup of water with the juice and skin of one lemon in a deep bowl, microwave for 5 minutes. Wipe thoroughly and dry with a soft cloth.
11. When the oven light burns out, please consult a dealer to have it replaced.
12. If the power cord becomes soiled, unplug and wipe down with a damp cloth. Make sure to dry thoroughly before plugging back into outlet.
13. Please do not dispose of this appliance with regular garbage. It should be disposed of through an appropriate disposal facility provided by your municipality.

BEFORE YOU CALL FOR SERVICE

IF THE OVEN FAILS TO OPERATE:

- A) Check to make sure that the oven is plugged in securely. If it is not, remove the plug from the outlet, wait 10 seconds and plug it in again securely.
- B) Check for a blown circuit fuse or a tripped main circuit breaker. If these seem to be operating properly, test the outlet with another appliance.
- C) Check to make sure the control panel is programmed correctly and the timer is set.
- D) Check to ensure that the door is securely closed engaging the door safety lock system. Otherwise, the microwave energy will not flow into the oven.

IF NONE OF THE ABOVE SOLVES THE PROBLEM, CONTACT A QUALIFIED TECHNICIAN. DO NOT TRY TO ADJUST OR REPAIR THE OVEN YOURSELF.

CUSTOMER SERVICE

IMPORTANT

DO NOT RETURN THIS PRODUCT TO THE STORE

If you have a problem with this product, please contact the Haier Customer Satisfaction Center at 1-877-337-3639.

DATED PROOF OF PURCHASE, MODEL # AND SERIAL #
REQUIRED FOR WARRANTY SERVICE



TROUBLESHOOTING

Check your problem by using the chart below and try the solutions for each problem. If the microwave oven still does not work properly, contact Haier customer service center or the nearest authorized service center. Customers must never troubleshoot internal components. Microwaves hold dangerous voltage (5000V) even after power is removed. Only a certified technician should attempt Microwave repair.

TROUBLE	POSSIBLE CAUSE	POSSIBLE REMEDY
Oven will not start	A. Electrical cord for oven is not plugged in. B. Door is open. C. Wrong operation is set.	A. Plug into the outlet. B. Close the door and try again. C. Check instructions.
Arcing or sparking	A. Materials to be avoided in microwave oven, such as metal, were used. B. The oven is operated when empty. C. Spilled food remains in the cavity.	A. Use microwave-safe cookware only. B. Do not operate with oven empty. C. Clean cavity with wet towel.
Unevenly cooked foods	A. Materials to be avoided in microwave oven were used. B. Food is not defrosted completely. C. Cooking time, power level is not suitable. D. Food is not turned or stirred.	A. Use microwave-safe cookware only. B. Completely defrost food. C. Use correct cooking time, power level. D. Turn or stir food.
Overcooked foods	Cooking time, power level is not suitable. Use correct cooking time, power level.	Use correct cooking time and power level.
Under cooked foods	A. Materials to be avoided in microwave oven were used. B. Food is not defrosted completely. C. Oven ventilation ports are restricted. D. Cooking time, power level is not suitable.	A. Use microwave-safe cookware only. B. Completely defrost food. C. Check to see that oven ventilation ports are not restricted. D. Use correct cooking time and power level.
Improper defrosting	A. Materials to be avoided in microwave oven were used. B. Cooking time, power level is not suitable. C. Food is not turned or stirred.	A. Use microwave-safe cookware only. B. Use correct cooking time and power level. C. Turn or stir food.

LIMITED WARRANTY

What is covered and for how long?

This warranty covers all defects in workmanship or materials for a period of: 12 months for labor
12 months for parts (Functional Parts Only)
2 years Magnetron Tube for Microwave (part only)

The warranty commences on the date of item purchase. Customer shall provide Haier with proof of the date of purchase and the original receipt along with; brand, model and serial number for verification prior to any warranty service being provided. Carry-In Service is available for selected products at the discretion of Haier America.

EXCEPTIONS:

Commercial or Rental Use warranty
90 days for labor 90 days for parts No other warranty applies.

What is covered.

1. The mechanical and electrical parts of the appliance which serve the functional purpose of this appliance are covered for a period of 12 months or as stated above. This includes all parts except finish, trim and glass.
2. The limited warranty does not cover any credit or refund for any loss or injury caused by the product or defects to the product including but not limited to incidental or consequential damages.
3. If the magnetron tube fails (for Microwave) due to poor workmanship or material, the part will be replaced.

What will be done?

1. Any mechanical or electrical part that proves to be defective in normal usage during the specified warranty period will be repaired or replaced at Haier's discretion.

ALL WARRANTY SERVICE MUST BE PROVIDED BY ONLY OUR FACTORY SERVICE CENTERS, OR BY AN AUTHORIZED HAIER CUSTOMER TECHNICIAN.

If it is determined that repair is not appropriate or replacement parts are unavailable for repair, Haier will exchange the product with a refurbished or new product the same or similar to the original at its discretion.

2. There will be no charge to the purchaser for functional replacement parts and labor on any covered items during the initial 12-month period or as stated above.
3. THIS WARRANTY COVERS APPLIANCES WITHIN THE CONTINENTAL UNITED STATES, PUERTO RICO AND CANADA. IT DOES NOT COVER THE FOLLOWING:

Damages from improper installation.
Damages incurred during shipping.
Defects other than manufacturing. Damage from misuse, abuse, accident, alteration, lack of proper care and maintenance or incorrect current or voltage or acts of God. Damage from other than household use. Damage from service by other than an authorized dealer or service center.
Decorative trims, glass or replaceable light bulbs. Transportation and shipping costs. Labor (after the initial 12 months). Credit or Refund for products over 30 days past date of purchase Food loss for food spoiled as a direct result of mechanical failure of the product or of any delay in providing service, repair, replacement. This limited warranty doesn't apply to refurbished product or unit purchased as/like new or second-hand. THIS LIMITED WARRANTY IS GIVEN IN LIEU OF ALL OTHER WARRANTIES, EXPRESSED OR INCLUDING THE WARRANTIES OF MERCHANTABILITY AND FITNESS FOR A PARTICULAR PURPOSE. The remedy provided in this warranty is exclusive and is granted in lieu of all other remedies. This warranty does not cover incidental or consequential damages, so the above limitations may not apply to you. Some states do not allow limitations on how long an implied warranty lasts, so the above limitations may not apply to you. This warranty gives you specific legal rights, and you may have other rights, which vary from state to state.

Haier America,
New York, NY 10018

ÍNDICE

INFORMACIÓN DE SEGURIDAD	
Precauciones para evitar posible sobre exposición a energía de microondas... 2	
Nota especial acerca del arco de voltaje	2
Apéndice.....	2
Instrucciones importantes de seguridad	3-5
Instrucciones de conexión a tierra.....	6-7
Guía para utensilios y trastos de cocina	7-8
COLOCACIÓN Y USO	
Especificaciones	9
Guía de instalación.....	9
Partes y funciones	10
Panel de control	11
Instrucciones de funcionamiento	12-14
Ajustes convenientes para cocinar	14-15
Técnicas para cocinar.....	16
LIMPIEZA Y CUIDADO	17
SOLUCIÓN DE PROBLEMAS Y GARANTÍA	
Antes de llamar a servicio técnico	18
Servicio al cliente	18
Garantía limitada.....	19

REGISTRO DEL PRODUCTO

Gracias por adquirir nuestro producto Haier. Este manual de uso sencillo lo guiará para que aproveche al máximo su horno de microondas.

Recuerde registrar los números de modelo y de serie que se encuentran en una etiqueta en el interior del horno de microondas.

Engrape el recibo al manual. Lo necesitará para recibir el servicio de garantía..

Número de modelo

Número de serie

Fecha de compra

PRECAUCIONES PARA EVITAR POSIBLE SOBRE EXPOSICIÓN A LA ENERGÍA DEL MICROONDAS

- A. No intente operar este horno con la puerta abierta. Esto puede generar una exposición dañina a la energía del microondas. Es importante no inhabilitar o violar los seguros.
- B. No coloque ningún objeto entre el frente del horno y la puerta, ni permita que se acumule suciedad o residuos del limpiador en las superficies de sellado.
- C. No utilice el horno si está dañado. Es especialmente importante que la puerta del horno cierre bien y que no haya daños en:
 1. LA PUERTA (arqueada).
 2. LAS BISAGRAS Y SEGUROS (rotos o flojos).
 3. LOS SELLOS DE LA PUERTA Y LAS SUPERFICIES DE SELLADO.
- D. Únicamente personal de servicio con capacitación adecuada debe ajustar o reparar el horno.

NOTA ESPECIAL ACERCA DEL ARCO DE VOLTAJE

Un "arco de voltaje" se refiere a la presencia de chispas dentro del horno de microondas. Puede generarse por las siguientes causas:

- Alguna pieza metálica o papel aluminio está en contacto con las paredes interiores del horno.
- El papel aluminio no está cubriendo herméticamente los alimentos sino que hay bordes puntiagudos levantados.
- Hay partes pequeñas metálicas, como amarres, trinchas para pollo o platos con bordes dorados.
- Se están usando servilletas de papel reciclado que pueden contener pequeñas cantidades de metal.

PRECAUCIÓN

SI OBSERVA QUE SE GENERAN CHISPAS EN SU HORNO DE MICROONDAS, OPRIMA DE INMEDIATO EL BOTÓN DE PARO/INICIO PARA DETENER LA COCCIÓN Y CORREGIR EL PROBLEMA.

APÉNDICE

Si este producto no se mantiene en buenas condiciones de limpieza, su superficie podría degradarse. Esto podría afectar su vida útil y generar situaciones de peligro.

INSTRUCCIONES IMPORTANTES DE SEGURIDAD

⚠ ADVERTENCIA

Cuando use electrodomésticos, se deben seguir las precauciones básicas de seguridad, incluyendo las siguientes:

ADVERTENCIA - Para reducir el riesgo de quemaduras, descargas eléctricas, incendio y lesiones personales, o reducir la sobreexposición a la energía del microondas:

1. Lea todas las instrucciones antes de usar el aparato.
2. Lea cuidadosamente y cumpla con las precauciones específicas de la página 2: "PRECAUCIONES PARA EVITAR UNA POSIBLE SOBREEXPOSICIÓN A LA ENERGÍA DEL MICROONDAS".
3. Este electrodoméstico debe conectarse a tierra. Conéctelo únicamente a un tomacorriente con conexión a tierra adecuada. Véase "INSTRUCCIONES DE CONEXIÓN A TIERRA" en la página 6.
4. Instale o coloque este electrodoméstico únicamente conforme a las instrucciones de instalación descritas en la página 9.
5. Algunos productos, como los huevos enteros y los envases sellados (por ejemplo, frascos de vidrio cerrados), pueden explotar, por lo que no deben calentarse en este horno.
6. Utilice este aparato solamente para lo que fue diseñado, según se describe en este manual. Este tipo de horno está diseñado específicamente para calentar, cocinar o deshidratar comida. No está diseñado para uso industrial o de laboratorio. No use químicos corrosivos ni vapores con este aparato.
7. Al igual que con cualquier electrodoméstico, es necesario supervisar a los niños atentamente cuando lo usen.
8. Para reducir el riesgo de incendio dentro del horno:
 - No cocine los alimentos en exceso. Preste atención al electrodoméstico cuando coloque en su interior papel, plástico u otros materiales combustibles para facilitar la cocción.

INSTRUCCIONES IMPORTANTES DE SEGURIDAD CONT.

- Retire los amarres de alambre de las bolsas de papel o plástico antes de colocarlas en el horno.
 - Si se incendian materiales dentro del horno, mantenga cerrado el horno, apáguelo y desconecte el cable de suministro eléctrico o interrumpa el suministro eléctrico en el tablero de fusibles o interruptor de carga.
 - No utilice el interior del horno para guardar cosas. No deje productos de papel, artículos de cocina ni alimentos en el interior del horno cuando no esté en uso.
9. Los líquidos como agua, café o té pueden sobrecalentarse más allá del punto de ebullición sin que parezca que están hirviendo, debido a la tensión superficial del líquido. No siempre aparecen burbujas o signos visibles de ebullición cuando se saca el envase del horno de microondas. **LOS LÍQUIDOS MUY CALIENTES PODRÍAN COMENZAR A HERVIR REPENTINAMENTE CUANDO SE INTRODUCE EN EL LÍQUIDO UNA CUCHARA O ALGÚN OTRO UTENSILIO DE COCINA.**
10. No caliente aceite o grasas para freír. Es difícil controlar la temperatura del aceite dentro de un horno de microondas.
11. Los alimentos con cáscara gruesa, como es el caso de las papas, calabazas, manzanas y castañas deben perforarse con un tenedor o la punta de un cuchillo afilado, antes de cocinarse.
12. El contenido de los biberones y vasos para alimentos de bebé se deben mover o menear y revisar su temperatura antes de servirlos para evitar quemaduras.
13. Los utensilios de cocina pueden calentarse debido al calor transferido por los alimentos calientes. Se deben usar agarraollas para manejar los utensilios.
14. No cubra ni obstruya ninguna abertura del electrodoméstico.
15. No guarde ni use este aparato en exteriores. No use este producto cerca del agua, por ejemplo, cerca de un fregadero, en un sótano húmedo, cerca de una alberca o en lugares similares.

INSTRUCCIONES IMPORTANTES DE SEGURIDAD CONT.

16. No use este electrodoméstico si el cable o el enchufe está dañado, si no está funcionando adecuadamente o si se ha dañado o caído.
17. No sumerja en agua el cable o enchufe. Mantenga el cable alejado de superficies calientes. No permita que el cable cuelgue sobre el borde de una mesa o mostrador.
18. Use únicamente termómetros diseñados específicamente para hornos de microondas.
19. Asegúrese de que la base de vidrio y los anillos giratorios se encuentren en su sitio antes de utilizar el horno.
20. Únicamente personal de servicio calificado deben dar servicio a este electrodoméstico. Comuníquese con el centro de servicio autorizado más cercano en caso de requerir revisiones, reparaciones o ajustes.
21. Cuando limpie las superficies de sellado del horno, como por ejemplo el marco de la puerta, use únicamente jabón suave no abrasivo o detergentes suaves aplicados con una esponja o paño suave.

GUARDE ESTAS INSTRUCCIONES SÓLO PARA USO DOMÉSTICO

INSTRUCCIONES DE CONEXIÓN A TIERRA

REQUISITOS ELÉCTRICOS

Los requisitos eléctricos son únicamente corriente alterna de 120 voltios, 15 amperios y 60 Hertz. Se recomienda que se suministre un circuito por separado para servicio único del horno. El horno está equipado con un cable de 3 hilos que tiene enchufe de tres puntas con conexión a tierra. Se debe conectar en un tomacorriente de pared que esté instalado y conectado a tierra correctamente.

Este electrodoméstico debe conectarse a tierra. En caso de corto circuito eléctrico, la conexión a tierra reduce el riesgo de sufrir una descarga eléctrica al proporcionar un cable de escape para la corriente eléctrica. El cable que se entrega con este electrodoméstico está equipado con un cable, enchufe y alambre de conexión a tierra. El enchufe se debe conectar en un tomacorriente que esté instalado y conectado a tierra correctamente. No intente inutilizar de ninguna manera esta característica de seguridad, modificando el enchufe de alguna forma.

⚠ ADVERTENCIA

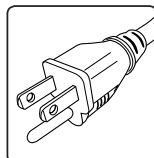
El uso inadecuado del enchufe de conexión a tierra puede provocar riesgo de descarga eléctrica.

Consulte a un técnico o electricista calificado en los siguientes casos:

- 1) No entiende por completo las instrucciones para la conexión a tierra.
- 2) No está seguro de que el electrodoméstico se encuentre debidamente conectado a tierra.
- 3) Tiene dudas acerca de las instrucciones de conexión eléctrica o a tierra.

CABLE DE SUMINISTRO ELÉCTRICO

1. El cable de suministro eléctrico que se incluye es corto para reducir el riesgo de enredarse o tropezarse con uno más largo.
2. Si el cable de suministro eléctrico es muy corto, no use una extensión eléctrica. Pida a un técnico o electricista calificado que instale una toma corriente cerca del electrodoméstico.
3. Si es absolutamente necesario el uso de cables largos o de una extensión, debe extremar precauciones.
 - a) Use únicamente un cable de extensión de tres hilos con conexión a tierra que tenga un enchufe de tres clavijas con conexión a tierra y un tomacorriente de tres ranuras que acepte la clavija del electrodoméstico.
 - b) El valor eléctrico nominal marcado en el cable o la extensión debe ser igual o mayor al valor nominal eléctrico del electrodoméstico. Los cables más largos deben acomodarse de modo que no queden tendidos sobre el mostrador o la mesa, donde los niños puedan jalarlos o puedan provocar tropiezos accidentalmente.



INSTRUCCIONES DE CONEXIÓN A TIERRA CONT.

NOTA: Ni Haier ni el distribuidor aceptarán responsabilidad alguna por daños en el horno eléctrico o lesiones personales que sean resultado del incumplimiento de los procedimientos de conexión eléctrica.

GUÍA PARA EL USO DE UTENSILIOS Y TRASTOS DE COCINA

Esta sección enumera los utensilios que pueden utilizarse en el microondas, los que pueden usarse de modo limitado y los que no deben utilizarse nunca en el microondas.

RECOMENDADOS

- Platón dorador para microondas: Úselo para dorar el exterior de piezas pequeñas, como bisteces, chuletas o panques. Siga las instrucciones incluidas con su plato de asado.
- Envoltura plástica para microondas: Úsela para retener el vapor. Debe dejarse una abertura pequeña para que escape una parte del vapor y evitar colocarlo directamente sobre los alimentos.
- Toallas y servilletas de papel: Estas absorben el exceso de humedad y evitan salpicaduras. Úselas para cubrir y calentar por tiempos cortos. No deben usarse toallas de papel reciclado, pues podrían contener residuos de metal y encenderse.
- Platos y recipientes de cerámica vitrificada y de vidrio resistente al calor. Úselos para calentar o cocinar.
- Platos y vasos de cartón: Úselos para calentar por tiempos cortos a bajas temperaturas. No debe usarse papel reciclado, pues podría contener metal y encenderse.
- Papel encerado: Úselo para cubrir y evitar salpicaduras.
- Termómetros: Deben usarse únicamente los etiquetados como "seguros para microondas", además de seguir todas las instrucciones. Revise la temperatura de los alimentos en diferentes partes. Los termómetros convencionales pueden usarse en los alimentos únicamente cuando se hayan retirado del horno.

USO LIMITADO

- Papel aluminio: Se pueden usar tiras delgadas y lisas de papel para cubrir áreas delicadas de los alimentos, como por ejemplo muslos y alas de pollo, para evitar que se cocinen en exceso.

GUÍA PARA EL USO DE UTENSILIOS Y TRASTOS DE COCINA CONT.

NOTA: Tenga mucho cuidado, el uso excesivo del papel aluminio puede dañar el horno.

- Cerámica, porcelana y barro: Úselos únicamente si están etiquetados como "seguros para microondas". Si no tienen esta instrucción, pruébelos para asegurarse de que puedan utilizarse de manera segura.
- Plástico: Úselo únicamente si está etiquetado como "seguro para microondas". Otros tipos de plásticos pueden derretirse.
- Paja, mimbre y madera. Úselos solamente para calentar por tiempos cortos, por ejemplo para calentar roles por algunos segundos. Las canastitas y los cuencos pueden ser inflamables.

NO RECOMENDADOS

- Botellas y jarras de cristal: El cristal regular es muy delgado para usarse en un microondas. Puede estrellarse y provocar lesiones y daños.
- Bolsas de papel: Representan un riesgo de incendio, excepto en el caso de las bolas de palomitas, las cuales están diseñadas para usarse en microondas.
- Platos y vasos de espuma de estireno (unicel): Pueden derretirse y dejar residuos químicos dañinos en los alimentos.
- Contenedores de plástico para alimentos y para almacenamiento: Los contenedores normalmente están diseñados para almacenar los alimentos en frío, por ejemplo las mantequilleras, por lo que pueden derretirse en un microondas.
- Utensilios metálicos: Pueden dañar su horno de microondas. Retire todo lo que sea de metal de los alimentos y recipientes antes de cocinar.

NOTA: Para probar si es seguro usar un recipiente en el microondas, colóquelo vacío y caliente a ALTA potencia por 30 segundos. Si el plato queda muy caliente NO debe usarlo.

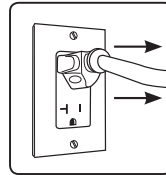
- Papel para horno: Úselo para cubrir y evitar salpicaduras o para envolver y cocinar al vapor.
- Charola de aluminio: Puede generar arcos de voltaje. Vacíe los alimentos en un recipiente apto para microondas.
- Recipientes de cartón con asa de metal. Puede generar arcos de voltaje. Vacíe los alimentos en un recipiente apto para microondas.
- Artículos de cocina de metal o con adornos metálicos Los recipientes de metal, los adornos o recubrimientos metálicos pueden provocar arcos de voltaje.
- Madera: La madera puede deshidratarse cuando se usa en el horno de microondas y podría quebrarse o agrietarse.

ESPECIFICACIONES

Consumo eléctrico:	120V-60Hz, 1050W
Potencia del horno de microondas:	700W
Frecuencia de operación:	2450MHz
Dimensiones del interior del horno (largo, ancho y alto):	8-11/16" x 12-2/5" x 11-5/8" pulgadas (22 x 31 x 30 cm)
Capacidad del horno:	Volumen de 0.7 pies cúbicos
Uniformidad de la cocción:	Base giratoria con un diámetro de 9-5/8 de pulgada (24 cm)
Peso neto:	Aproximadamente 23.2 libras (10.5 kg)

GUÍA DE INSTALACIÓN

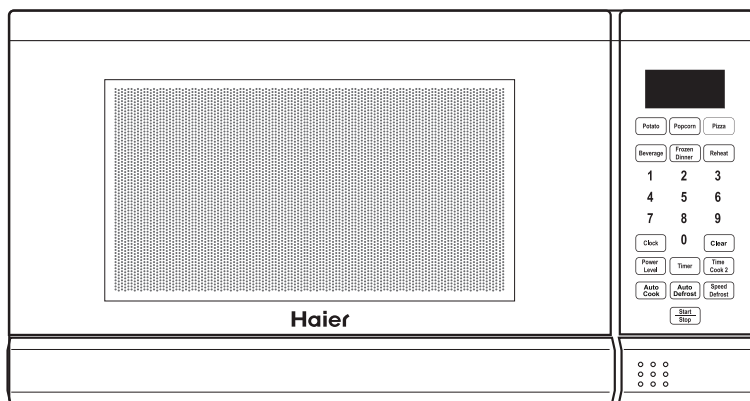
1. Asegúrese de que todos los materiales de empaque se hayan retirado del interior de la puerta.
2. Revise que no haya ningún daño en el horno, como por ejemplo un mal alineado de la puerta o que se encuentre doblada, daños en los sellos de la puerta y superficies de sellado, ganchos o bisagras rotos o sueltos en la puerta o desportillados dentro del horno o en la puerta. Si encuentra cualquier daño, no use el horno. Póngase en contacto con el personal de servicio calificado.
3. Este horno de microondas debe colocarse sobre una superficie estable, capaz de soportar el peso del horno más el de los alimentos más pesados que pueda contener y que se vayan a cocinar en él.
4. No coloque el horno en áreas donde se genere calor, agua o niveles altos de humedad, ni cerca de materiales combustibles.
5. Para un funcionamiento correcto, el horno debe contar con un flujo de aire suficiente por todos sus lados. Deje un espacio de 8 pulgadas (20.32 cm) por encima del horno, 4 pulgadas (10.16 cm) por la parte posterior y 2 pulgadas (5.08 cm) a ambos lados. No cubra ni obstruya ninguna abertura del electrodoméstico. No retire las patas sobre las cuales se sostiene el horno.
6. No opere el horno sin la base de vidrio, el soporte con rodillos y el eje en sus posiciones correctas.
7. Asegúrese de que el cable de suministro eléctrico no se encuentre dañado, que no se haya tendido debajo del horno, ni sobre ninguna superficie caliente o borde filoso.
8. El contacto debe estar al alcance de modo que pueda alcanzarse rápidamente y desenchufar fácilmente el horno en caso de emergencia.



INTERFERENCIA CON SEÑALES DE RADIO O TELEVISIÓN

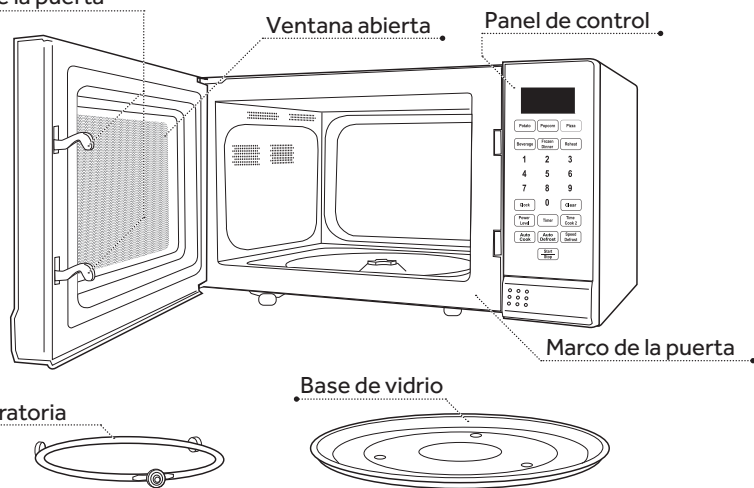
Los hornos de microondas pueden generar interferencia con las señales de radio y televisión, revise que el horno de microondas se encuentre en un circuito diferente, cambie de posición el radio o el televisor para alejarlos lo más posible del horno o revise la posición y señal de la antena receptora.

PARTES Y FUNCIONES

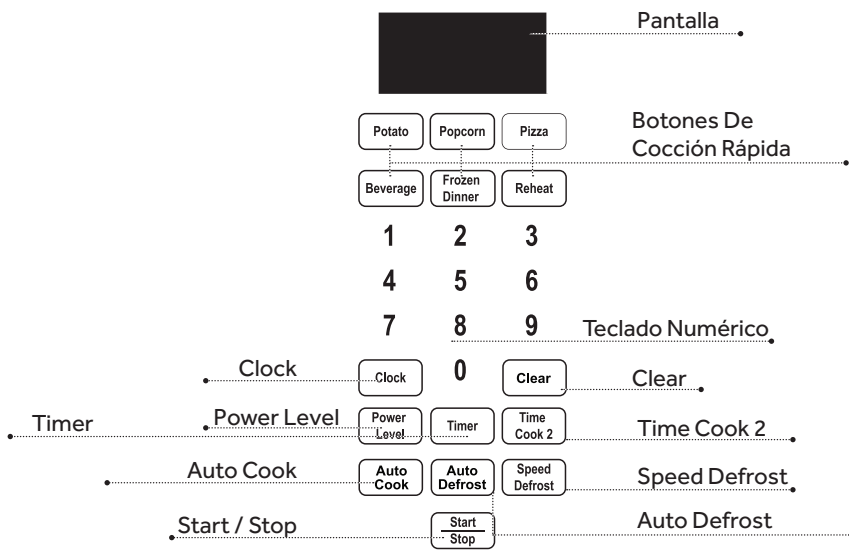


El diagrama es únicamente para fines ilustrativos.
El diseño puede variar conforme al número de modelo.

Sistema de cierre de seguridad de la puerta



PANEL DE CONTROL



PANTALLA

Muestra el tiempo de cocción, potencia, indicaciones y tiempo actual.

BOTONES DE COCCIÓN RÁPIDA

Son ajustes instantáneos para la cocción de alimentos habituales.

TIMER

El temporizador funciona independientemente, incluso mientras se encuentra en curso un programa de cocción.

POWER LEVEL

Se usa para establecer el nivel de potencia. También le permite revisar el nivel de potencia durante la cocción.

TIME COOK 2

Se usa para la cocción en varias etapas. Permite la cocción automática a diferentes potencias y ajustes de tiempo.

AUTO COOK

Programa la cocción según el peso de los alimentos que se van a cocinar.

AUTO DEFROST

Programa el descongelado según el peso de los alimentos que se van a descongelar.

SPEED DEFROST

Permite el descongelado rápido y efectivo de los alimentos alternando los tiempos de descongelado y espera.

TECLADO NUMÉRICO (0-9)

Se usa para ajustar manualmente el tiempo o el peso.

CLEAR

Borra todos los ajustes previos o establece el bloqueo para niños.

CLOCK

Se usa para establecer o restablecer la hora del día.

START/STOP

Se oprime para iniciar o detener la cocción.

INSTRUCCIONES DE FUNCIONAMIENTO

SEÑALES DURANTE EL AJUSTE DEL HORNO. UN TONO: El horno acepta el valor introducido. DOS TONOS: El horno no acepta el valor introducido, debe revisarse e intentar de nuevo.

AJUSTE DEL RELOJ

- 1) Pulse la tecla del reloj, CLOCK.
- 2) Use el teclado numérico para introducir la hora correcta.
- 3) Después vuelva a pulsar la tecla del reloj, CLOCK.

NOTA: Este es un reloj de 12 horas. Cuando el horno se enchufa por primera vez o cuando se restablece la energía después de un apagón, la pantalla mostrará el mensaje INTRODUCIR LA HORA DEL RELOJ (ENTER CLOCK TIME). Si prefiere que no se muestre el reloj, oprima la opción RESTABLECER (RESET).

AJUSTE DEL TEMPORIZADOR

El temporizador funciona como un cronómetro por minutos.

- 1) Oprima la tecla del temporizador.
- 2) Introduzca la cantidad de tiempo para la cuenta regresiva.
- 3) Oprima la tecla de inicio (Start). Cuando se agote la cuenta, el temporizador emitirá una señal.

NOTA: El temporizador funciona sin la energía de microondas.

AJUSTE DEL NIVEL DE POTENCIA

El ajuste predeterminado para la potencia de salida es del 100%. Si desea ajustar un nivel de potencia distinto al 100%, oprima la tecla de nivel de potencia (POWER LEVEL) y después use el teclado numérico para introducir el nivel deseado.

TECLA DE NUMER	POTENCIA DE COCCIÓN	TECLA DE NÚMERO	POTENCIA DE COCCIÓN
10	100%	5	50%
9	90%	4	40%
8	80%	3	30%
7	70%	2	20%
6	60%	1	10%

AJUSTE DE UN PROGRAMA DE COCCIÓN

A. Cocción en una sola etapa

- 1) Use el teclado numérico para establecer un tiempo de cocción. Puede establecer un tiempo de cocción desde un segundo hasta 99 minutos y 99 segundos.
- 2) Ajuste el nivel de potencia, si requiere un valor distinto al 100%.
- 3) Oprima START/STOP para comenzar a cocinar.

B. Cocción en varias etapas

Algunos alimentos o recetas requieren diferentes etapas de cocción a diferentes temperaturas.

- 1) ESTABLECIMIENTO DE LA ETAPA 1: Siga los pasos 1 y 2 descritos en "Cocción en una sola etapa". No oprima el botón START/STOP.
- 2) ESTABLECIMIENTO DE LA ETAPA 2: Oprima la tecla TIME COOK 2, después introduzca el tiempo de cocción deseado y el nivel de potencia (bajo). La mayoría de las recetas en varias etapas usan una potencia baja en la segunda etapa.
- 3) Oprima START/STOP para comenzar a cocinar.

NOTA: Después de que ha transcurrido el tiempo de la Etapa 1, sonará un tono, el cual señala el inicio de la etapa 2.

INSTRUCCIONES DE FUNCIONAMIENTO CONT.

- Después de que ha transcurrido el tiempo total, el sistema emitirá un tono y se mostrará en la pantalla la palabra FIN (END). Los tonos seguirán sonando automáticamente cada dos minutos hasta que se abra la puerta o se oprima cualquier botón..

SPEED DEFROST

- 1) Oprima el botón SPEED DEFROST.
- 2) Introduzca el tiempo de descongelado deseado, con ayuda del teclado numérico.
- 3) Oprima el botón START/STOP (inicio/ paro).

NOTA: Saque la carne del empaque y colóquela en un recipiente apto para microondas.

- Después de que ha transcurrido el tiempo total, el sistema emitirá varios tonos y se mostrará en la pantalla la palabra END (FIN). Los tonos seguirán sonando automáticamente cada dos minutos hasta que se abra la puerta o se oprima cualquier botón.
- Después de ajustar el descongelado rápido (SPEED DEFROST), el horno puede programarse para cambiar automáticamente de cocción en una etapa a la cocción en varias etapas.
- Para el descongelado rápido y la cocción en una sola etapa, siga los pasos anteriores. Antes de oprimir START/STOP, oprima TIME COOK 2, introduzca el tiempo y el nivel de potencia y después oprima START/ STOP.
- Para el descongelado rápido y la cocción en varias etapas, siga los pasos anteriores. Antes de oprimir START/STOP, oprima TIME COOK 2, introduzca los programas de cocción de dos etapas y después oprima

START/STOP para comenzar.

AUTO COOK

- 1) Oprima AUTO COOK.
- 2) Seleccione el código del alimento, usando los números 1 al 3 en el teclado numérico.
- 3) Introduzca el peso del alimento.
- 4) Oprima el botón START/STOP (inicio/ paro).

CÓDIGOS DE ALIMENTO PARA LA COCCIÓN AUTOMÁTICA

Código	Tipo	Peso Max
1	Bistec	5 lb. 16 oz.
2	Cordero	5 lb. 16 oz.
3	Puerco	5 lb. 4 oz.

NOTA: la carne debe descongelarse y a la temperatura refrigerada.

- El peso debe estar en libras y onzas.
- Para los pesos en onzas menores de 10, deberá ir precedido por un 0. Si la etiqueta le da el peso únicamente en libras, cambie la fracción de libra a onzas usando la tabla de la siguiente página.
Ejemplo: 1 lb. 8 oz. = 108 2 lb.
2 lb. 12 oz. = 212
- Durante la cocción, el sistema hará una pausa automáticamente y emitirá un tono para recordarle a los usuarios que deben voltear la pieza de carne. Después de voltear la pieza, oprima START/STOP para reanudar la cocción.
- Después de que ha transcurrido el tiempo total, el sistema emitirá varios tonos y se mostrará en la pantalla la palabra END (FIN). Los tonos seguirán sonando automáticamente cada dos minutos hasta que se abra la puerta o se oprima cualquier botón.

INSTRUCCIONES DE OPERACIÓN CONT.

CONVERSIÓN DE FRACCIONES DE LIBRA EN ONZAS

FRACCIONES DE UNA LIBRA	ONZAS	FRACCIONES DE UNA LIBRA	ONZAS
Menos de 0.03	0	.54 to .59	9
.03 to .09	1	.60 to .65	10
.10 to .15	2	.66 to .71	11
.16 to .21	3	.72 to .78	12
.22 to .27	4	.79 to .84	13
.28 to .34	5	.85 to .90	14
.35 to .40	6	.91 to .97	15
.41 to .46	7	Above .97	Pase al siguiente par
.47 to .53	8		

AUTO DEFROST

- 1) Oprima la tecla AUTO DEFROST.
- 2) Introduzca el peso del alimento con el teclado numérico.
- 3) Oprima START/STOP para comenzar a cocinar.

NOTA: El peso debe estar en libras y onzas. Para los pesos en onzas menores de 10, deberá ir precedido por un 0. Si la etiqueta le da el peso únicamente en libras, cambie la fracción de libra a onzas usando la tabla de la siguiente página.

- Durante el descongelado, necesitará voltear el alimento para lograr un deshielo uniforme. Después de voltear la pieza, oprima START/STOP para reanudar el descongelado.

- Después de que ha transcurrido el tiempo total, el sistema emitirá varios tonos y se mostrará en la pantalla la palabra END (FIN). Los tonos seguirán sonando automáticamente cada dos minutos hasta que se abra la puerta o se oprima cualquier botón.

AJUSTE DEL SEGURO PARA NIÑOS

El bloqueo de seguridad evita que los niños usen el horno sin supervisión. Coloque la función en modo de espera.

Para ajustar: Oprima y mantenga así la tecla CLEAR por 3 segundos. En la pantalla se muestra LOCK.

Para cancelar: Oprima y mantenga así la tecla CLEAR por 3 segundos. Desaparece de la pantalla la palabra LOCK.

AJUSTES DE COCCIÓN RÁPIDA

Los ajustes de cocción rápida, CONVENIENCE COOKING, le permiten cocinar o recalentar los alimentos automáticamente, sin necesidad de introducir el tiempo o el nivel de potencia. Para porciones pequeñas, simplemente oprima el botón deseado y después la tecla START/STOP. Para porciones grandes, oprima dos veces el número deseado. Las opciones FROZEN DINNER (alimento

congelado), BAKED POTATO (papa asada) y BEVERAGE (bebida) le permiten calentar diferentes cantidades del mismo alimento. Simplemente oprima la tecla una vez y aparecerá en la pantalla la opción introducir cantidad, ENTER AMT. Introduzca la cantidad de porciones y oprima START/STOP.



AJUSTES DE COCCIÓN RÁPIDA CONT.

POPCORN

Para una bolsa de 3.5 onzas de palomitas de maíz de microondas:

1. Oprima una vez POPCORN.
2. Oprima el botón START/STOP (inicio/paró).

NOTA: Para cambiar el tiempo preestablecido para POPCORN: Oprima dos veces POPCORN. En la pantalla aparece la opción para introducir el tiempo, ENTER TIME. Introduzca el tiempo de cocción deseado con ayuda del teclado numérico. Oprima el botón START/STOP (inicio/paró). Este nuevo tiempo de cocción permanecerá en la memoria siempre que use el ajuste POPCORN hasta que los borre con la tecla CLEAR.

BAKED POTATO

Para papas (de 4 a 6 onzas aproximadamente por cada una):

NOTA: Las papas deben perforarse con un tenedor o con la punta de un cuchillo filoso antes de cocinarlas para evitar que revienten.

1. Oprima una vez la tecla BAKED POTATO.
2. Introduzca la cantidad de papas (1 a 4).
3. Oprima el botón START/STOP (inicio/paró).

Para papas grandes (de aproximadamente 8 a 10 libras cada una):

1. Oprima dos veces la tecla BAKED POTATO.
2. Introduzca la cantidad de papas (1 a 4).
3. Oprima el botón START/STOP (inicio/paró).

PIZZA

Para recalentar una rebanada de pizza:

1. Oprima una vez PIZZA.
2. Oprima el botón START/STOP (inicio/paró).

Para calentar una pizza completa:

1. Oprima dos veces PIZZA.
2. Oprima el botón START/STOP (inicio/paró).

BEVERAGE

Para tazas pequeñas (aproximadamente de 5 a 7 onzas cada una)

1. Oprima una vez BEVERAGE.
2. Introduzca el número de tazas oprimiendo el teclado numérico del 1 al 4.
3. Oprima el botón START/STOP (inicio/paró).

Para tazas de café grandes (de 9 a 11 onzas cada una):

1. Oprima dos veces BEVERAGE.
2. Introduzca el número de tazas oprimiendo el teclado numérico del 1 al 4.
3. Oprima el botón START/STOP (inicio/paró).

FROZEN DINNER

Para una a dos piezas de alimentos congelados (de 7 a 9 onzas cada una):

1. Oprima una vez FROZEN DINNER.
2. Seleccione 1 o 2 para el número de porciones.
3. Oprima el botón START/STOP (inicio/paró).

Para porciones más grandes de alimentos congelados (10 a 12 onzas cada una):

1. Oprima dos veces FROZEN DINNER.
2. Seleccione 1 o 2 para el número de porciones.
3. Oprima el botón START/STOP (inicio/paró).

REHEAT

1. Oprima la tecla recalentar, REHEAT.
2. Oprima el botón START/STOP (inicio/paró).

NOTA: Este ajuste está diseñado para recalentar un plato de guisados sobrantes refrigerados.

Con el microondas puede cocinar más rápido y sencillo que en la estufa convencional. Para obtener mejores resultados, aplique las siguientes técnicas:

AGITE

Mueva los alimentos guisados y vegetales mientras se cocinan, para distribuir el calor de manera uniforme. Los alimentos en los extremos del recipiente absorben más energía y se calientan más rápido, de modo que debe moverlos de afuera hacia el centro. El horno hará una pausa automáticamente cuando abra la puerta para agitar o mover los alimentos.

DISTRIBUYA

Coloque los alimentos que tienen formas irregulares, como el caso de piezas de pollo o chuletas, con los lados más gruesos y carnosos hacia la orilla de la base de vidrio giratoria, en donde recibirán más energía del microondas. Para evitar el calentamiento excesivo, coloque las áreas delicadas, como las puntas de espárragos, hacia el centro de la base de vidrio giratoria.

PROTEGA

Puede proteger algunos alimentos con tiras delgadas de papel aluminio, para evitar que se cocinen en exceso. Las áreas que necesitan protegerse incluyen las puntas de las alas de aves, los extremos de las piernas de aves y las puntas de los platos cuadrados para hornear. Use únicamente cantidades pequeñas de papel aluminio. Las piezas grandes pueden dañar su horno. Coloque las tiras lo más lisas según lo permita el alimento, evitando que se hagan pliegues en la medida de lo posible.

VOLTEE

Debe voltear los alimentos a la mitad del tiempo de cocción para exponer todas sus partes a la energía del microondas. Esto es especialmente importante con las piezas grandes. Puede proteger las piezas que se van a asar.

DEJE REPOSAR

Los alimentos cocinados en el microondas acumulan calor internamente y siguen cocinándose por algunos minutos después de que se detiene el calentamiento. Mantenga en reposo los alimentos para completar la cocción, especialmente los alimentos como pasteles y vegetales completos. Las piezas asadas necesitan este tiempo para completar su cocción en el centro, a fin de no cocer en exceso las áreas exteriores. Todos los líquidos, como las sopas o los chocolates calientes, deben agitarse o moverse a la mitad del tiempo de su cocción y cuando ésta se haya completado. Mantenga en reposo los líquidos por un momento antes de servirlos. Cuando caliente alimentos para bebés, muévelos bien al retirarlos y pruebe la temperatura antes de servirlos.

AGREGUE AGUA

Las moléculas de agua atraen la energía de microondas. Los alimentos que no tienen un contenido uniforme de humedad deben cubrirse o dejar reposar, de modo que el calor se disperse de manera uniforme. Agregue una cantidad pequeña de agua para ayudar a la cocción de los alimentos secos.

LIMPIEZA Y CUIDADO

1. Mantenga limpio el interior del horno. Cuando salpique la comida o los líquidos derramados se adhieran a la pared del horno, limpie con un paño húmedo. Puede usar detergente suave si el horno está muy sucio. Evite el uso de limpiadores atomizados u otros limpiadores fuertes, ya que pueden manchar, rayar o deslustrar la superficie de la puerta.
2. Cuando limpie las superficies, como el marco de la puerta, use únicamente jabón suave no abrasivo o detergentes suaves aplicados con una esponja o paño suave.
3. Apague el horno y desenchufe el cable de suministro eléctrico del tomacorriente de pared, antes de la limpieza.
4. Las superficies exteriores deben limpiarse con un paño húmedo. Para evitar daños a las partes internas del horno que se accionan, no deje que se filtre agua por las aberturas de ventilación.
5. Limpie la ventana por ambos lados con un paño húmedo para retirar cualquier salpicado o derrame.
6. No permita que se moje el panel de control. Limpie con un paño húmedo y suave. Cuando limpie el panel de control, deje abierta la puerta del horno para evitar que el horno se encienda accidentalmente.
7. Si se acumula vapor dentro o alrededor de la parte exterior de la puerta del horno, limpie con un paño suave. Esto puede ocurrir cuando el horno de microondas funciona bajo condiciones de mucha humedad. Esto es normal en dichas condiciones.
8. Es posible que sea necesario retirar la base de vidrio para realizar la limpieza. Lave la base giratoria con agua tibia jabonosa o en el lavavajillas.
9. El anillo giratorio y la base del horno deben limpiarse de manera regular. La superficie del fondo del horno simplemente límpiela con un detergente suave. El anillo giratorio puede lavarse en agua jabonosa o en el lavavajillas. Cuando retire el anillo giratorio de la base del interior del horno para su limpieza, asegúrese de volverlo a colocar en la posición apropiada.
10. Para eliminar los olores de su horno mezcle una taza de agua con el jugo y la cáscara de un limón en un recipiente hondo y caliente en el microondas por cinco minutos. Limpie perfectamente y seque con un paño suave.
11. Cuando se funda la lámpara del horno, consulte a su distribuidor para su reemplazo.
12. Si el cable de suministro eléctrico se ensucia, desenchufe y limpie con un paño húmedo. Asegúrese de que seque perfectamente antes de volverlo a enchufar en el tomacorriente.
13. No deseche este electrodoméstico en la basura convencional. Debe desecharlo a través de las instalaciones de desechos adecuadas ofrecidas por el municipio.

ANTES DE LLAMAR A SERVICIO TÉCNICO

SI EL HORNO NO FUNCIONA:

- A. Revise que el horno esté enchufado de manera segura. Si no lo está, retire la clavija del tomacorriente, espere 10 segundos y enchufe de nuevo de manera segura.
- B. Revise si hay algún fusible quemado o se ha accionado el interruptor principal de carga. Si parecen funcionar adecuadamente, pruebe el tomacorriente con otro aparato.
- C. Revise para asegurarse de que el panel de control se encuentra programado correctamente y que se ha ajustado el temporizador.
- D. Revise para asegurarse de que se ha cerrado herméticamente la puerta con el sistema de bloqueo de seguridad. De lo contrario, la energía del microondas no fluirá dentro del horno.

SI NINGUNA DE LAS ACCIONES ANTERIORES RESUELVE EL PROBLEMA, PÓNGASE EN CONTACTO CON UN TÉCNICO CALIFICADO. NO INTENTE AJUSTAR O REPARAR EL HORNO USTED MISMO.

SERVICIO AL CLIENTE

IMPORTANTE

NO DEVUELVA ESTE PRODUCTO A LA TIENDA

Si tiene algún problema con este producto, comuníquese con el "Centro de satisfacción del cliente" de Haier al 1-877-337-3639.

ES NECESARIO TENER EL COMPROBANTE DE COMPRA FECHADO, EL NÚMERO DE MODELO Y DE SERIE PARA RECIBIR EL SERVICIO DE GARANTÍA.



SOLUCIÓN DE PROBLEMAS

Consulte el problema que tiene en la siguiente tabla y pruebe las soluciones para cada uno de ellos. Si el horno de microondas sigue sin funcionar correctamente, comuníquese al centro de servicio al cliente de Haier o al centro de servicio autorizado más cercano. Los clientes nunca deben intentar solucionar los problemas en los componentes internos. Los hornos de microondas tienen voltajes peligrosos (5,000 voltios) incluso cuando se haya cortado el suministro eléctrico. Únicamente un técnico certificado debe intentar reparar el microondas.

PROBLEMA	POSIBLE CAUSA	SOLUCIÓN POSIBLE
El horno no enciende.	A. El cable de suministro eléctrico del horno no está enchufado. B. La puerta está abierta. C. Está establecido un modo de funcionamiento incorrecto.	A. Enchúfelo en el tomacorriente. B. Cierre la puerta e intente de nuevo. C. Consulte las instrucciones.
Arcos de voltaje o chispas.	A. Se utilizaron materiales que no deben usarse en el horno de microondas, como metal. B. El horno se hizo funcionar vacío. C. Hay restos de alimentos derramados en la cavidad.	A. Emplee sólo artículos de cocina aptos para microondas. B. No ponga en funcionamiento el horno cuando esté vacío. C. Limpie el interior del horno con una toalla húmeda.
Los alimentos no se cuecen de modo uniforme.	A. Se utilizaron materiales que no deben usarse en el horno de microondas. B. El alimento no está descongelado por completo. C. El tiempo de cocción y/o la potencia no son adecuados. D. El alimento no se ha volteado ni agitado.	A. Emplee sólo artículos de cocina aptos para microondas. B. Descongele el alimento por completo. C. Emplee el tiempo de cocción y/o la potencia correctos. D. Voltee o agite el alimento.
Overcooked foods	El tiempo de cocción y la potencia no son adecuados. Emplee el tiempo de cocción y/o la potencia correctos.	Emplee el tiempo de cocción y la potencia correctos.
Alimentos que no se cuecen lo suficiente.	A. Se utilizaron materiales que no deben usarse en el horno de microondas. B. El alimento no está descongelado por completo. C. Los orificios de ventilación del horno están obstruidos. D. El tiempo de cocción y/o la potencia no son adecuados.	A. Emplee sólo artículos de cocina aptos para microondas. B. Descongele el alimento por completo. C. Compruebe que los orificios de ventilación del horno no estén obstruidos. D. Emplee el tiempo de cocción y la potencia correctos.
No descongela correctamente.	A. Se utilizaron materiales que no deben usarse en el horno de microondas. B. El tiempo de cocción y/o la potencia no son adecuados. C. El alimento no se ha volteado ni agitado.	A. Emplee sólo artículos de cocina aptos para microondas. B. Emplee el tiempo de cocción y la potencia correctos. C. Voltee o agite el alimento.

GARANTÍA LIMITADA

¿Qué cubre y por cuánto tiempo?

Esta garantía cubre todos los defectos de fabricación o de materiales durante un período de: 12 meses en mano de obra
Período de 12 meses para partes (únicamente las piezas funcionales), dos años para el tubo magnetrón del microondas (únicamente esa pieza).

La garantía entra en vigor en la fecha de compra del artículo. El cliente debe presentar a Haier el comprobante de compra y la factura original fechadas, la marca, el modelo y el número de serie para su verificación, antes de realizar cualquier servicio de garantía. Haier America puede ofrecer el servicio en el taller para productos seleccionados, si así lo decide.

EXCEPCIONES:

Garantía del producto para uso comercial o de renta.

90 días para mano de obra y 90 días para partes. No se aplica ninguna otra garantía.

¿Qué cubre?

1. Las partes mecánicas y eléctricas del aparato cuyo objetivo es poner en funcionamiento este aparato tienen cobertura por un período de 12 meses o lo indicado más arriba. Esto incluye todas las partes, excepto la terminación, el acabado y el vidrio.
2. La garantía limitada no cubre ningún crédito o reembolso por ninguna pérdida o lesión provocada por el producto o por defectos del producto, que incluyen entre otros, daños incidentales o derivados.
3. En el caso de falla del tubo magnetrón (para las microondas) debido a defectos en materiales o mano de obra, dicha parte será reemplazada.

¿Qué se hará?

1. Haier reparará o reemplazará, a su criterio, cualquier parte mecánica o eléctrica que resulte estar defectuosa por uso normal durante el período de garantía especificado. TODO EL SERVICIO DE GARANTÍA DEBERÁ SER PRESTADO ÚNICAMENTE POR NUESTROS CENTROS DE SERVICIO DE FÁBRICA O POR UN TÉCNICO AUTORIZADO DE SERVICIO AL CLIENTE DE HAIER.

Si se determina que no corresponde hacer una reparación o que las partes de repuesto no están disponibles para hacerla, Haier le

cambiará el producto por uno arreglado o uno nuevo igual o similar al original, según lo que determine.

2. No se le cobrará al comprador las partes de repuesto funcionales y la mano de obra de ningún artículo cubierto durante el período inicial de 12 meses o según se indique arriba.
3. ESTA GARANTÍA CUBRE APARATOS DENTRO DE ESTADOS UNIDOS CONTINENTAL, PUERTO RICO Y CANADÁ. NO CUBRE LO SIGUIENTE:

Daños por instalación inadecuada. Daños producidos durante el envío. Defectos distintos a los de fabricación. Daño por uso incorrecto, maltrato, accidente, alteración, falta de cuidado y mantenimiento adecuados, corrientes o voltajes incorrectos, o desastres naturales. Daño por uso distinto al doméstico. Daño por un servicio brindado por alguien distinto a un distribuidor o centro de servicio autorizado. Acabados decorativos, vidrios o bombillas reemplazables. Costos de transporte y envío. Mano de obra (después de los primeros 12 meses). Crédito o reembolso de productos 30 días después de la fecha de compra. Pérdida en alimentos por productos echados a perder debido al resultado directo de una falla mecánica del producto o cualquier demora en ofrecer el servicio, la reparación o el cambio. Esta garantía limitada no se aplicará en productos reconstruidos o en unidades compradas como saldos o de segunda mano. ESTA GARANTÍA LIMITADA SE OTORGA EN LUGAR DE CUALQUIER OTRA GARANTÍA EXPRESA O INCLUSO LAS GARANTÍAS DE COMERCIALIZACIÓN E IDONEIDAD PARA UN FIN EN PARTICULAR. La solución ofrecida en esta garantía es exclusiva y se otorga en lugar de cualquier otra solución. Esta garantía no cubre daños incidentales o indirectos, de modo que es posible que las limitaciones anteriores no apliquen en su caso. Algunos estados no permiten limitaciones sobre la duración de una garantía implícita, de modo que es posible que las limitaciones anteriores no apliquen en su caso. Esta garantía le otorga derechos legales específicos; usted puede tener otros derechos, que varían en cada estado.

Haier America
New York, NY 10018

www.HaierAmerica.com

Model # HMC720BEWW,
HMC720BEBB, HMC725SESS
Issued Date: February 2012

120 V, 60 Hz
Made in China
Fabriqué en Chine
Hecho en China

Printed in China
Haier America
New York, NY 10018
©2012 Haier America Trading, LLC.