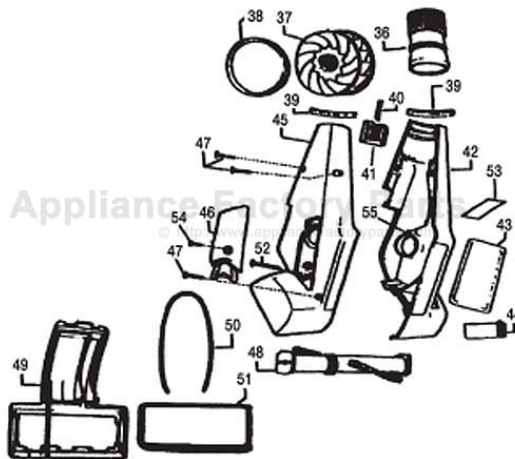


This Owner's Manual is provided and hosted by [Appliance Factory Parts](#).



HP 7210 Owner's Manual

[Shop genuine replacement parts for HP 7210](#)



[Find Your HP Vacuum Cleaner Parts - Select From 16 Models](#)

----- Manual continues below part list -----

Available Replacement Parts for HP 7210

HP-6323-01	H-P TRUBO OEM RUGRAT BELT
63262	grid, ci, 14.75 x 21.5

BUILT-IN Original & Replacement

HP PRODUCTS Models Rug Rat 6971, 6971C, 6972, 6972C,
Ultra T210, TP210, 7210, 7210C

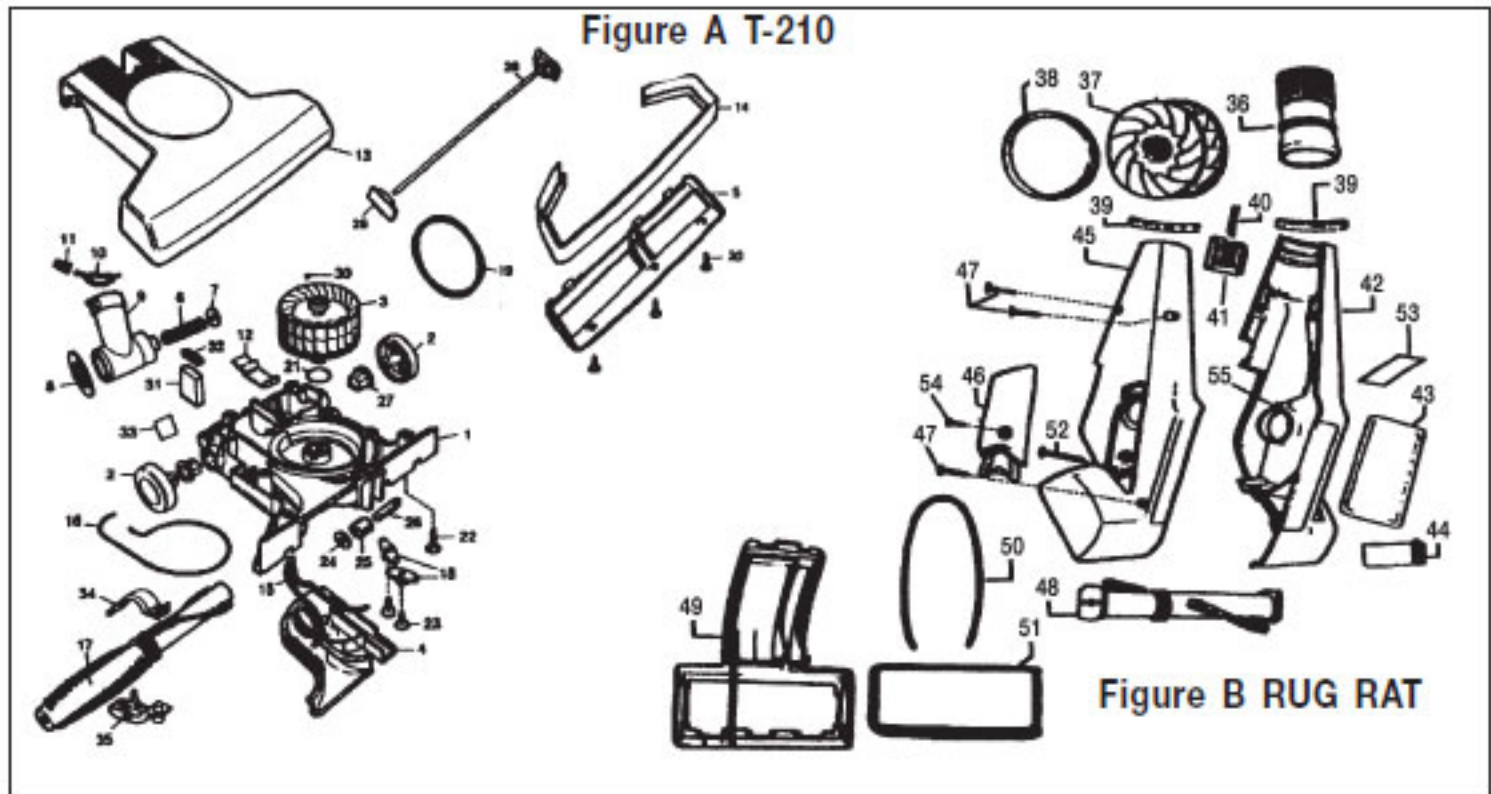


Figure A

KEY	PART NO.	DESCRIPTION
1	HP-7211-02	Lower Housing
2	HP-7212-02	Wheel
3	HP-7213	SA Turbine
4	HP-7214	Belt Cover
5	HP-7215	Base
6	HP-5958	Compression Spring
7	HP-5974	Washer
8	HP-5971	Washer, Elbow Seal
9	HP-7216-02	Elbow
10	HP-5966	Spring Wand
11	HP-7217-02	Retainer Cap
12	HP-7218	Spring Latch
13	HP-7221	Top Housing
14	HP-7222-01	Bumper
15	HP-7223	Seal (Large)
16	HP-7224	Seal (Small)
17	HP-7330	Brushroll
18	HP-7226	Latch
19	HP-7227-01	Belt
20	HP-7228	Screw Base
21	HP-7229	O-Ring
22	HP-5944	Screw
23	HP-7230	Screw, T Latch
24	HP-7231	D-Washer
25	HP-7234	Bearing, Needle
26	HP-7233	Idler Shaft
27	HP-7232	Sleeve, Flange
28	HP-7235	Left Shaft Support
29	HP-7236	Right Shaft Support
30	HP-7237	Rubber Plug
31	HP-7238	Ballast WT
32	HP-7239	Foam Pad
33	HP-7240	Caution Label
34	HP-7331	Belt Shroud, Upper
35	HP-7332	Belt Shroud, Lower

Figure B

KEY	PART NO.	DESCRIPTION
36	HP-6321-2	Swivel
37	HP-6322	Sub Ass'y - Turbine & Shaft
38	HP-6323-01	Belt
39	HP-6324	Swivel Seal
40	HP-6325	Latch Spring
41	HP-6326-2	Latch
42	HP-6780-2	Housing Ass'y Half
43	HP-7054-2	Label (Rug Rat)
44	HP-6328-2	Slide Valve (On Models With Date Codes Before 9516)
45	HP-6757-2	Sub Ass'y Housing Belt Side
46	HP-6330-2	Belt Cover
47	HP-6331	Screw 6-19 x .750
48	HP-6332	Brushroll
49	HP-6755-2	Base Plate with Gasket & Bumper
50	N/A	Gasket (Order HP-6755-2)
51	HP-6335-2	Bumper
52	HP-6336	Screw 6-19 x 1.2
53	HP-6304-2	Caution Label
54	HP-6339	Screw 6-19 x .500
55	HP-6340	Rubber Ring

N/A = Not Available