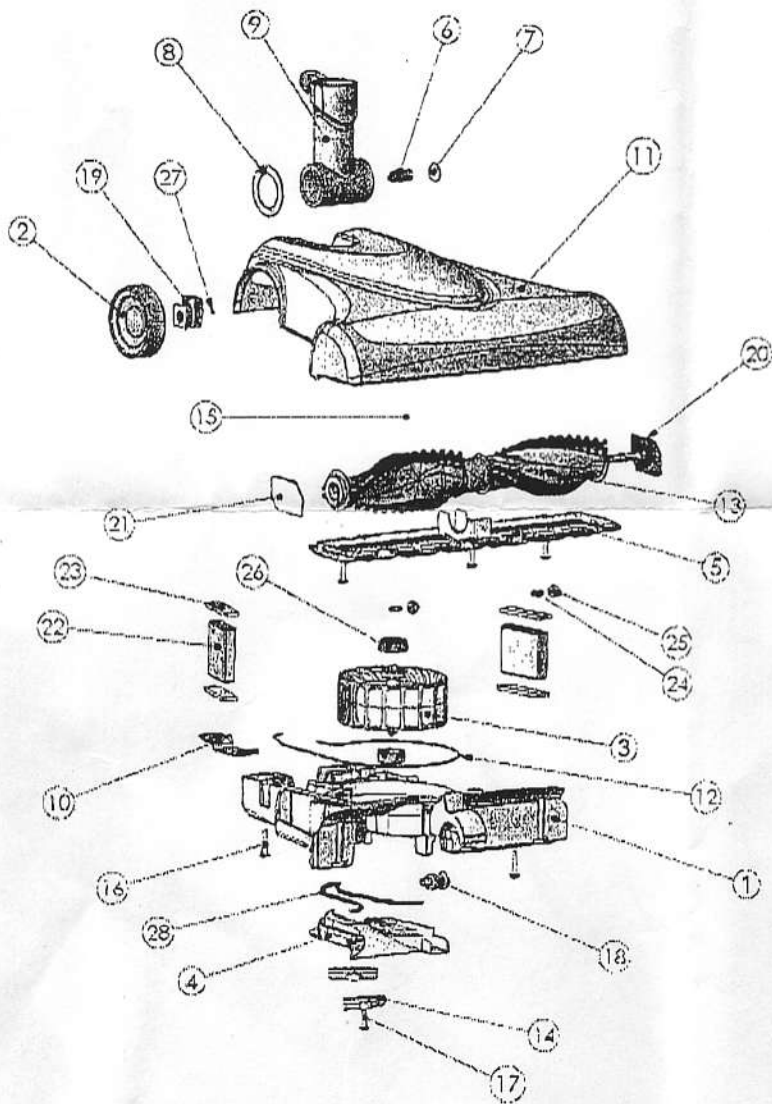


REPLACEMENT PARTS LIST

Turbocat EX Powerhead

ZOOM



#	Description	Part #
1	Lower Housing—Charcoal	8412-02
2	Wheel Assembly (2) - Charcoal	8425-02
3	Turbine Assembly	8558
4	Belt Cover	8413
5	Base Plate—Charcoal	8414-02
6	Compression Spring	8557
7	Washer, Spring	5974
8	Washer, Neck	5971
9	Neck Assembly—Black	8423-01
10	Spring, Neck Lock	7218
11	Top Housing—Black	8411-01
12	Seal, Small	7224
13	Roller Brush Assembly	HP-8896
14	T-Latch (2)	7228
15	Poly-V Belt	8439-01
16	Screw, Housing (12)	7228
17	Screw, T-Latch (2)	7230
18	Idler Bearing Assembly	8558
19	Bushing, Wheel (2)	8415
20	Shaft Support Assembly, Left	8428
21	Shaft Support, Right	8561
22	Ballast (2)	7238
23	Foam Pad (4)	7239
24	Shaft, Roller Wheel (2)	8416
25	Roller Wheel (2)	8417
26	Bearing Isolator (2)	8427
27	Retaining Ring (2)	8458
28	Seal, Large	7223