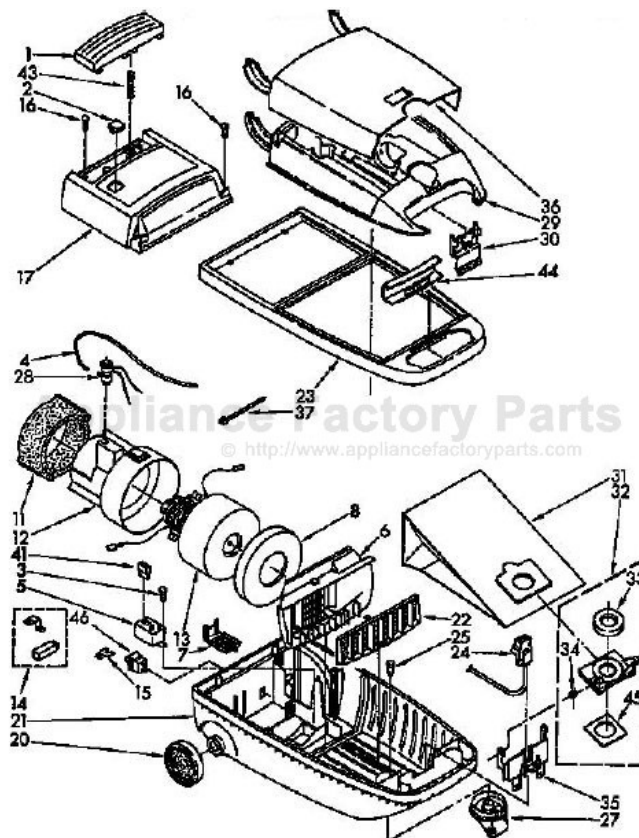


This Owner's Manual is provided and hosted by [Appliance Factory Parts](http://www.appliancefactoryparts.com).



# Kenmore 116.2045080 Owner's Manual

[Shop genuine replacement parts for Kenmore  
116.2045080](#)



[Find Your Kenmore Vacuum Cleaner Parts - Select From 746 Models](#)

----- Manual continues below part list -----

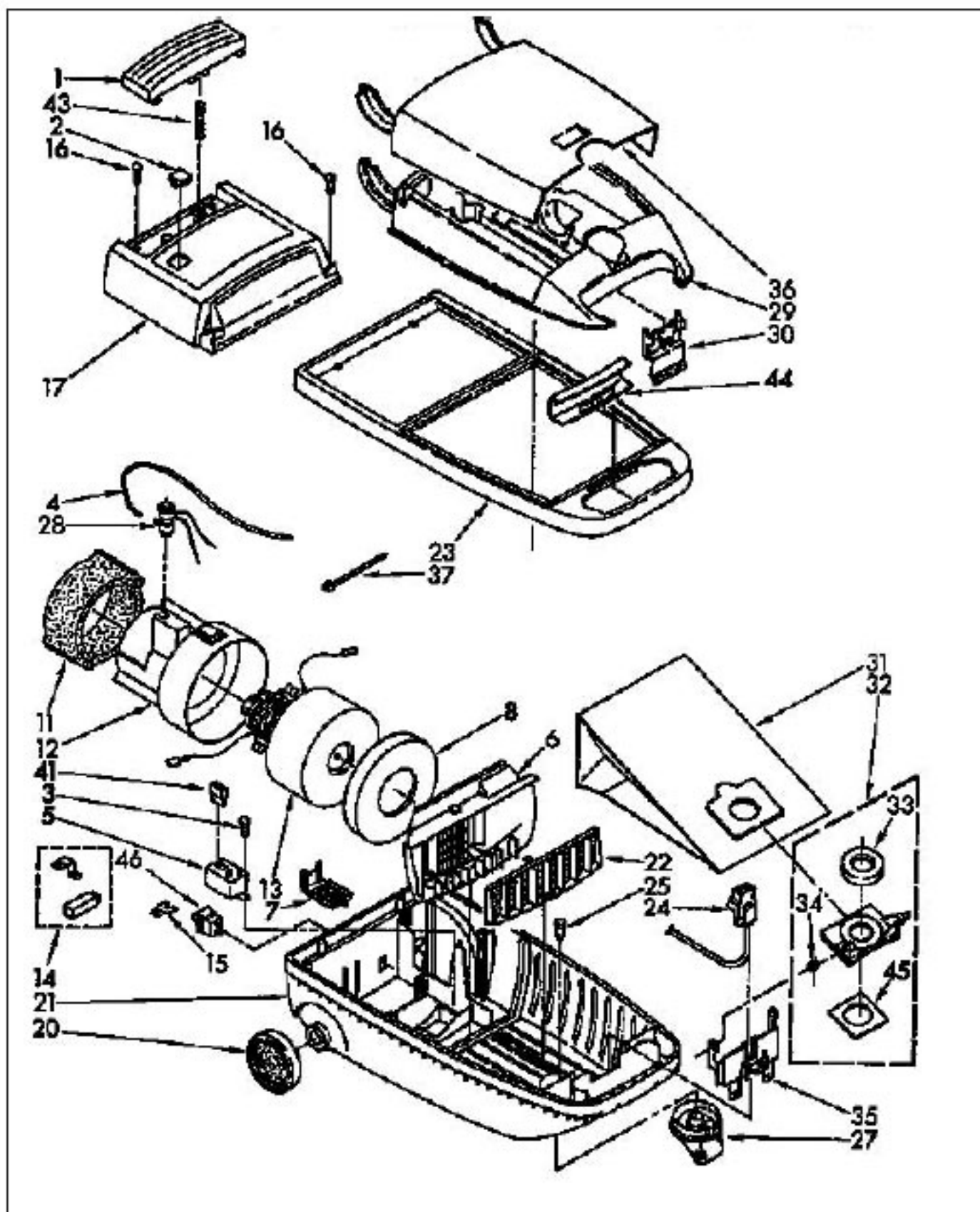
## Available Replacement Parts for Kenmore 116.2045080

[KER-14551A](#)

VACUUM BAGS 5055

# KENMORE Original & Replacement

CANISTER VACUUM Model 116.2045080

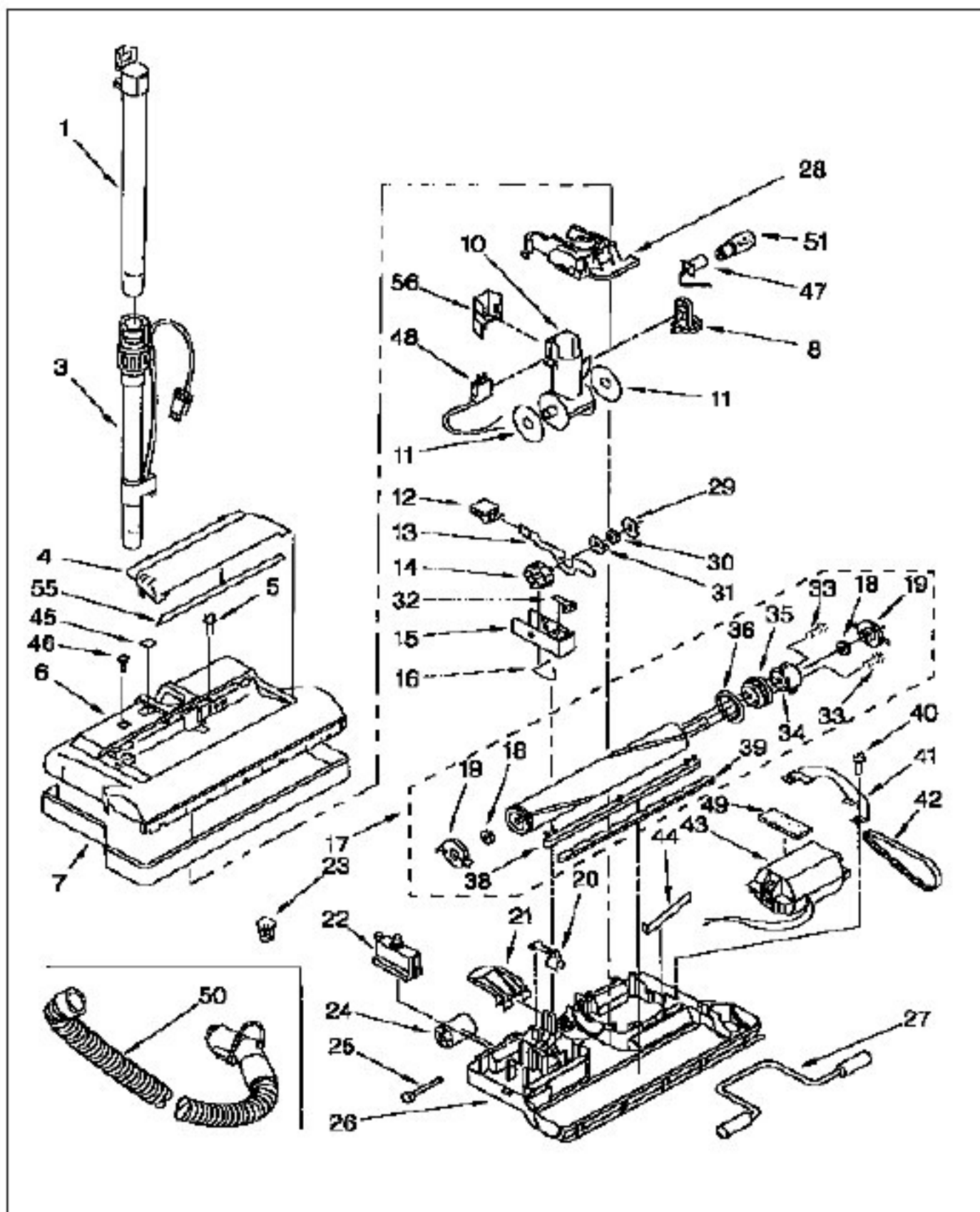


# Original & Replacement **KENMORE** CANISTER VACUUM Model 116.2045080

KEY	PART NO.	DESCRIPTION
1	KE-4369308	Pedal, cord return
2	KE-4151920	Lens
3	KE-KC94QBZTZV07	Dusting brush
4	NLA	Tube, vacuum switch
5	KE-4370199	Control, canister (variable speed)
6	KE-4154046	Wall, bulkhead
7	KE-8195164	Cap, cord cover
8	KE-KS4154151	Seal, impeller
11	KE-KC38HBZPZV06	Filter, motor, rear
12	KE-4370063	Seal, motor
13	KE-676486	Motor
14	KE-676200	Brush, motor
15	NLA	Terminal
16	KE-4148999	Screw, thread cutting (4)
17	NLA	Cover, canopy (incl. 2)
20	KE-4370555	Wheel, rear
21	NLA	Base
22	P-18070	Filter, secondary (KE-KS4152969)
23	NLA	Bumper
24	NLA	Harness, receptacle (incl. 28, 41)
25	KE-706884	Pin, coaster retainer
27	KE-4369683	Caster, swivel
28	KE-676419	Light, performance indicator
29	NLA	Hood
30	KE-4147145	Release, lid
31	KER-14551	Bag, dust, sears no. 20-5055 (KE-50002)
32	KE-4369956	Mount, bag
33	KE-706017	Gasket, port
34	KE-706024	Spring, bag mount
35	KE-4147967	Insert, strick
36	KE-4369366	Lid, tool cover
37	KE-3347868	Tie, cable
41	KE-62889	Connector, receptacle
43	KE-744258	Spring, cord rewind
44	KE-4147255	Grip, handle
45	KE-4150105	Seal, bag, mount
46	NLA	On/Off Switch

# KENMORE Original & Replacement

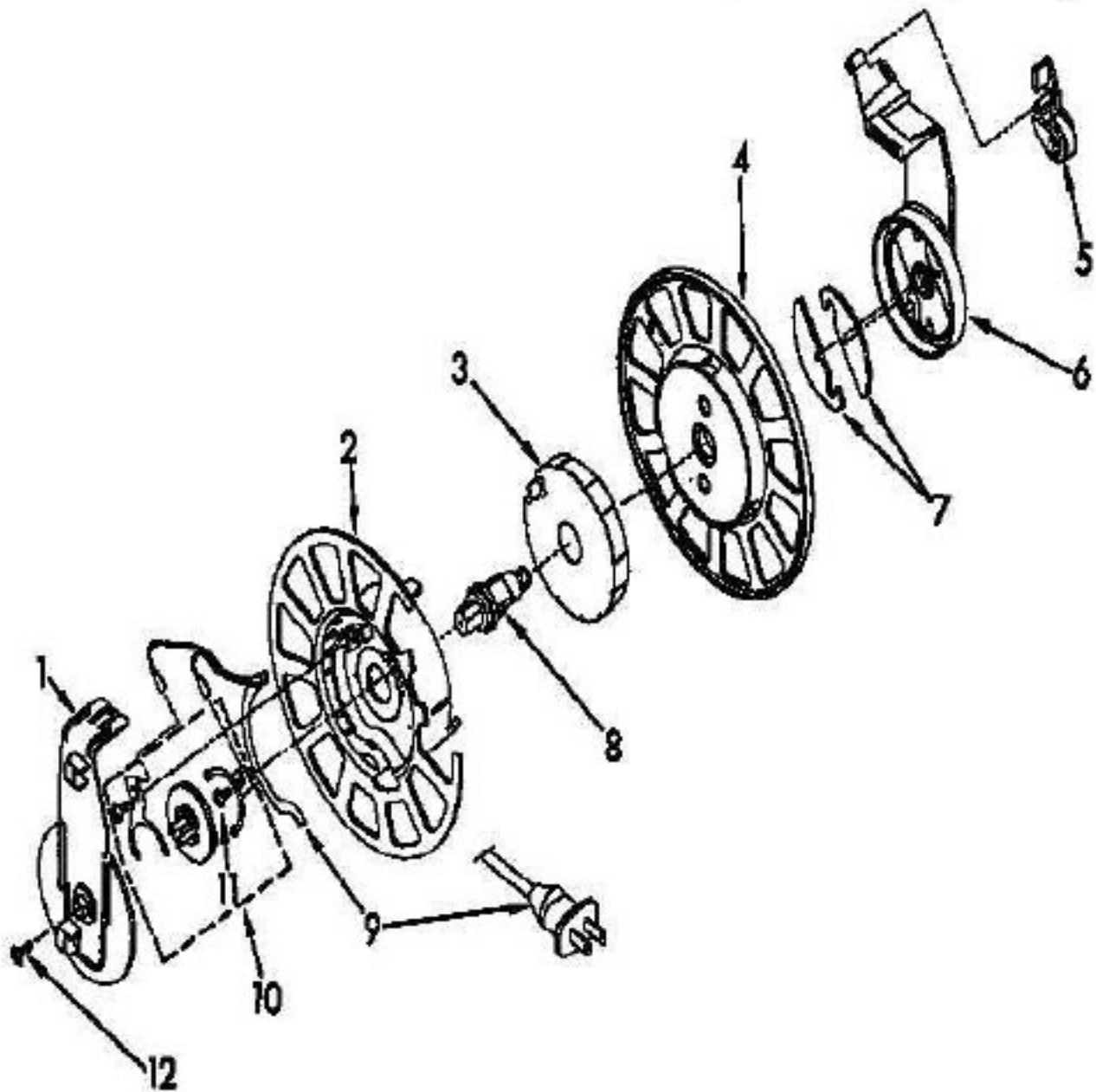
CANISTER VACUUM Model 116.2045080



# Original & Replacement **KENMORE** CANISTER VACUUM Model 116.2045080

KEY	PART NO.	DESCRIPTION
1	P-50043	Upper Wand
3	P-50051	Lower Wand and cord
4	KE-4369824	Housing, bulb (includes no. 55)
5	KE-488839	Screw 8-18 x 1-7/8
6	KE-4369823	Nozzle
7	KE-747222	Bumper
8	KE-8191503	Foot pedal
10	P-72425	Swivel
11	KE-742019	Seal, swivel bearing (2)
12	KE-4150826	Pad, foot pedal
13	KE-4370720	Indicator lever
14	KE-588543	Indicator cam
15	KE-8191506	Indicator block
16	KE-725775	Spring, assist
17	NLA	Brush assembly
18	KE-681424	Washer, metal (12 x 1/2) (2) (incl. 18)
19	KE-676195	Bearing and housing assembly (2)(includes no. 18)
20	KE-4370726	Lifter
21	KE-4148391	Release, handle
22	KE-8191614	Protector, overload
23	SS-3270	Connector, wire (2)
24	KE-747117	Roller, nozzle (2)
25	KE-742006	Shaft, roller (2)
26	KE-4370013	Base
27	KE-KS744029	Front assembly assembly
28	KE-8191518	Cap, swivel
29	KE-722909	Washer, thrust
30	KE-725635	Washer, spring
31	KE-588543	Catch, indexing
32	KE-742016	Ratchet, catch
33	KE-681605	Screw type 25 no. 6 pan (2)
34	KE-742509	End brush tufted
35	KE-742506	Brush sprocket
36	KE-742031	Brush sprocket flange
38	KE-676194	Beater brush (2)
39	KE-743419	Bar, beater
40	KE-STD610805	Screw, 8-18 x 5/8 (2)
41	KE-705093	Motor, bridge
42	KER-1075	Belt, cogged (*sears no. 20-5285)
43	P-60518	Motor (Sears no. KC90FCAL100)
44	KE-742002	Spring, motor adjustment
45	KE-4369687	Lens, height adjuster
46	KE-4369982	Extension, button
47	KE-747096	Socket, bulb
48	KE-KS4151701	Cord and plug
49	KE-747156	Gasket, motor hose assembly
50	P-40473	Hose Ass'y
51	FA-3515	Bulb
55	KE-KS747286	Lens, light

# **KENMORE** Original & Replacement CANISTER VACUUM Model 116.2045080



Original & Replacement **KENMORE**  
CANISTER VACUUM Model 116.2045080

<u>KEY</u>	<u>PART NO.</u>	<u>DESCRIPTION</u>
1	KE-4152380	BRACKET, CONTACT BLOCK
2	KE-4152226	MAIN BODY
3	KE-4369019	SPRING AND KEEPER
4	KE-4149336	FLANGE
5	KE-4152612	YOKE & BRAKE ASSEMBLY
6	KE-4155598	BRACKET, SPEED CONTROL
7	KE-4149369	GOVERNOR WEIGHTS (2)
8	KE-4152228	HUB
9	KE-4152415	POWER CORD
10	KE-4152682	CONTACT DISC ASSEMBLY
11	KE-487474	SCREW (2)
12	KE-780343	SCREW