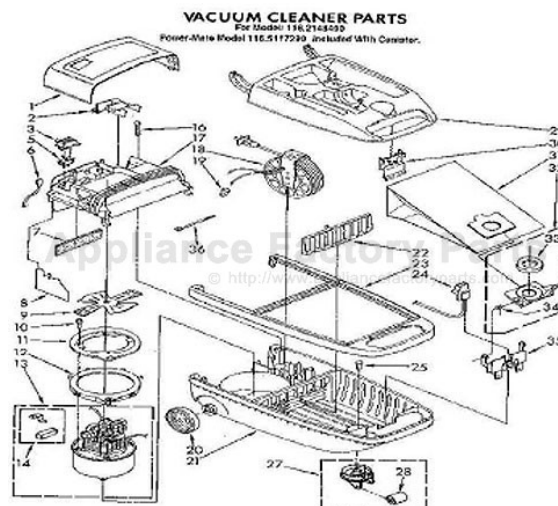


This Owner's Manual is provided and hosted by [Appliance Factory Parts](#).



# Kenmore 116.2148490 Owner's Manual

[Shop genuine replacement parts for Kenmore  
116.2148490](#)



[Find Your Kenmore Vacuum Cleaner Parts - Select From 745 Models](#)

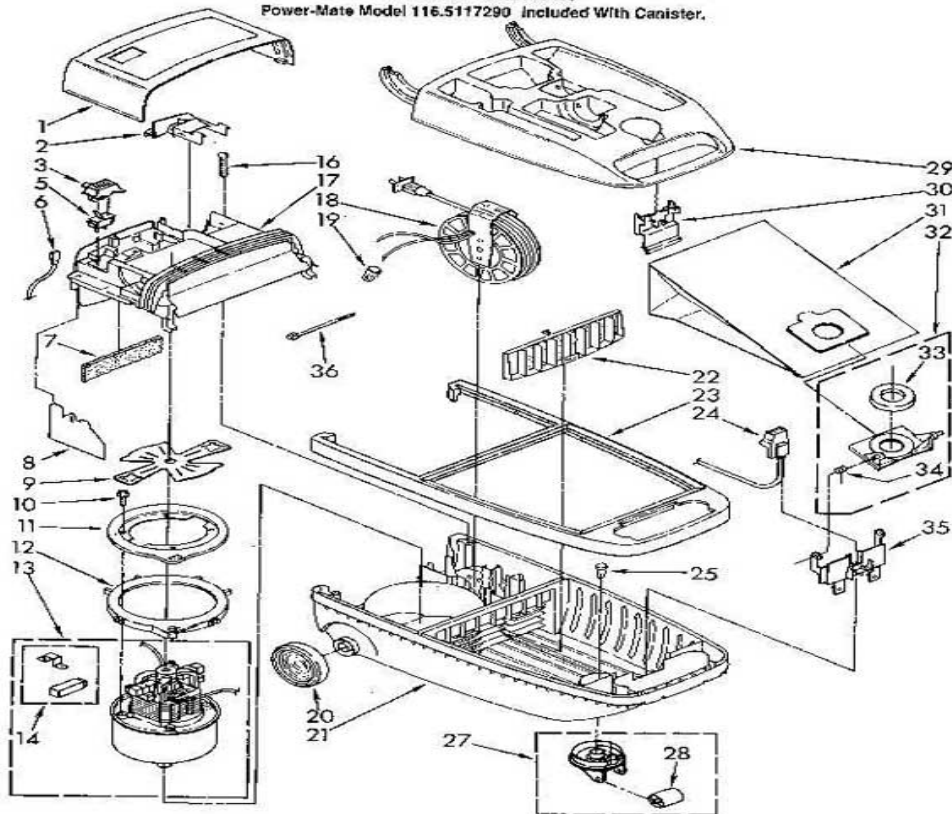
----- Manual continues below -----

# MODEL 116.2148490

## VACUUM CLEANER PARTS

For Model: 116.2148490

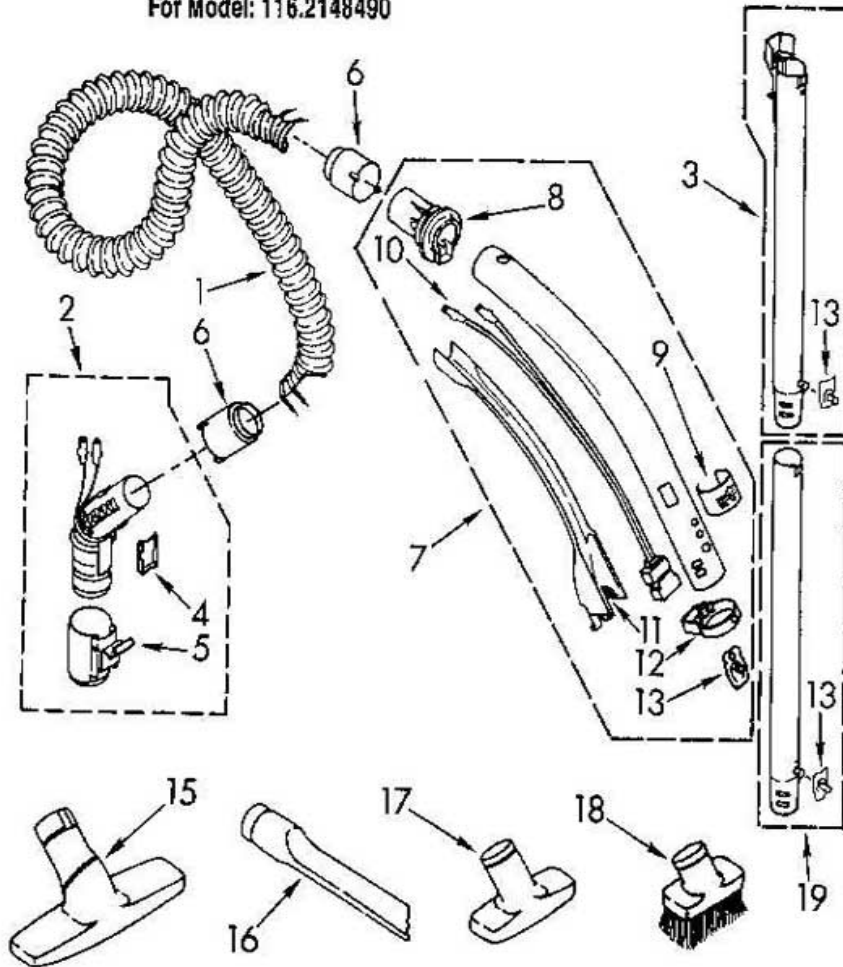
Power-Mate Model 116.5117290 included With Canister.



- |    |            |                         |    |                  |                             |
|----|------------|-------------------------|----|------------------|-----------------------------|
| 1  | KE-4368501 | COVER, CANOPY           | 28 | KE-4153299       | WHEEL, CASTER               |
| 2  | KE-4147477 | FRAME, CORD             | 29 | KE-4155763       | HOOD                        |
| 3  | KE-4153790 | BUTTON, SWITCH          | 30 | KE-4147145       | RELEASE, LID                |
| 5  | KE-4152559 | SWITCH, TOGGLE          | 31 | <b>KER-14551</b> | BAG, DUST SEARS NO. 20-5055 |
| 6  | KE-4148049 | LEAD, SWITCH            | 32 | KE-4152985       | MOUNT, BAG                  |
| 7  | KE-706389  | FILTER, REAR EXHAUST    | 33 | KE-706017        | GASKET, PORT                |
| 8  | KE-4153813 | AEGIS, MOTOR            | 34 | KE-706024        | SPRING, BAG MOUNT           |
| 9  | KE-703515  | SHIELD, MOTOR           | 35 | KE-4147967       | INSERT, STRIKE              |
| 10 | KE-681624  | SCREW, NO. 10 16 X 3/4  | 36 | KE-596702        | TIE, CABLE                  |
| 11 | KE-706011  | PLATE, MOTOR MOUNT      |    |                  |                             |
| 12 | KE-706821  | MOUNT, MOTOR            |    |                  |                             |
| 13 | KE-4155549 | MOTOR                   |    |                  |                             |
| 14 | KE-588867  | BRUSH, MOTOR            |    |                  |                             |
| 16 | KE-681550  | SCREW, 8-18 X 1-7/8 (2) |    |                  |                             |
| 17 | KE-4368502 | CANOPY                  |    |                  |                             |
| 18 | KE-4147694 | CORD REEL               |    |                  |                             |
| 19 | KE-4154460 | CONNECTOR, WIRE (2)     |    |                  |                             |
| 20 | KE-4147126 | WHEEL, REAR             |    |                  |                             |
| 21 | KE-4155762 | BASE                    |    |                  |                             |
| 22 | KE-4152969 | FILTER, SAFETY          |    |                  |                             |
| 23 | KE-4147118 | BUMPER                  |    |                  |                             |
| 24 | KE-4147243 | RECEPTACLE              |    |                  |                             |
| 25 | KE-706884  | PIN, CASTER RETAINER    |    |                  |                             |
| 27 | KE-4153295 | CASTER, SWIVEL          |    |                  |                             |

# HOSE AND ATTACHMENT PARTS

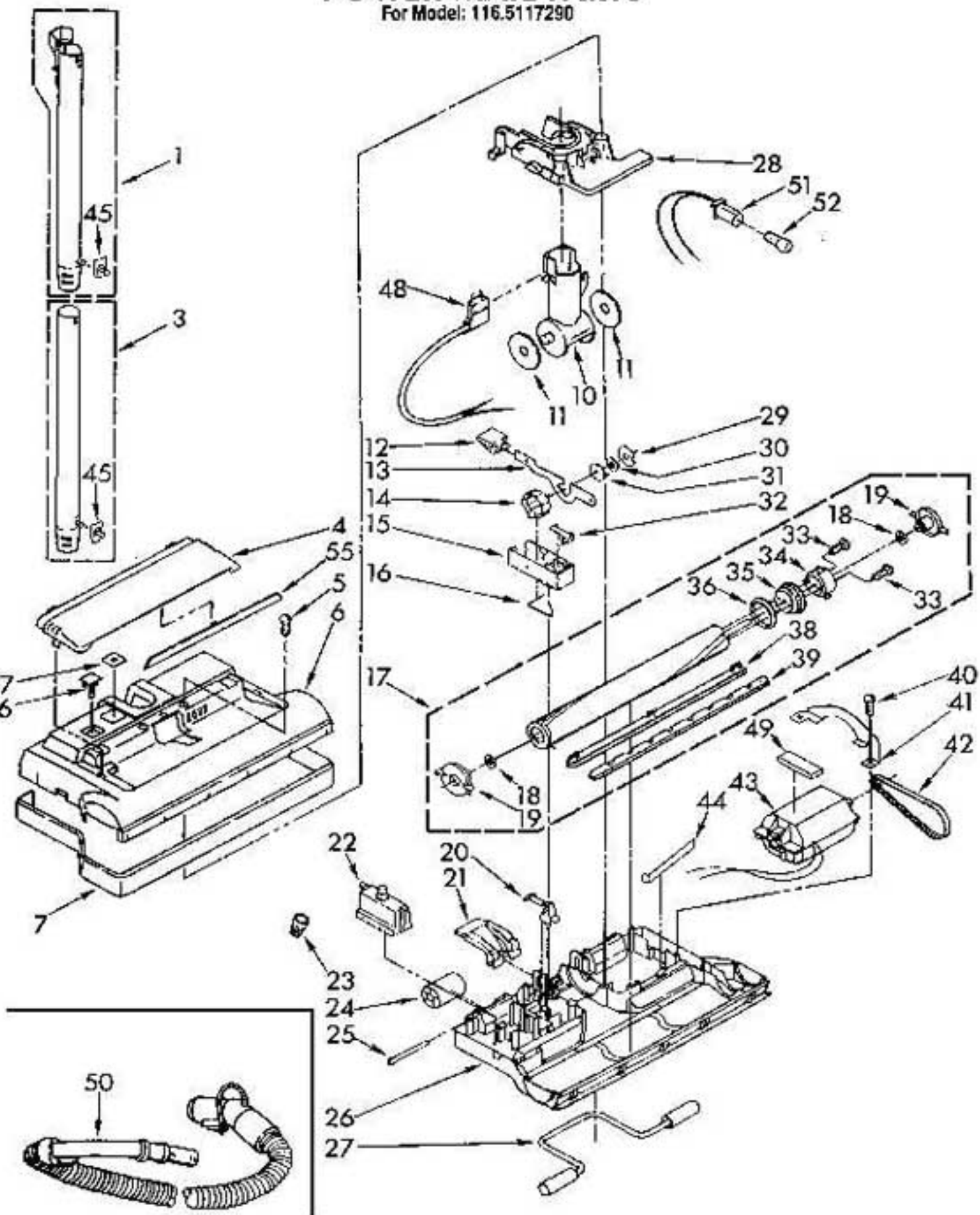
For Model: 116.2148490



- |    |            |                            |
|----|------------|----------------------------|
| 1  | P-40470    | HOSE                       |
| 2  | KE-4154051 | SWIVEL ASSEMBLY            |
| 3  | KE-747120  | WAND & CORD MOUNT ASSEMBLY |
| 4  | KE-4147153 | FRAME, PLUG                |
| 5  | KE-4147147 | HOUSING, SWIVEL            |
| 6  | KE-4152863 | ADAPTER, HOSE              |
| 7  | KE-4153046 | HANDLE ASSEMBLY            |
| 8  | KE-4153047 | ADAPTER, TUBE              |
| 9  | KE-4152564 | CONTROL, SUCTION           |
| 10 | KE-4153014 | CORD & PLUG ASSEMBLY       |
| 11 | KE-4152948 | COVER, CORD                |
| 12 | KE-4147143 | LOCK, CORD COVER           |
| 13 | KE-4152093 | SPRING, WAND LOCK          |
| 15 | KE-4147110 | BRUSH, FLOOR               |
| 16 | KE-4147116 | TOOL, CREVICE              |
| 17 | KE-4147115 | BRUSH, FABRIC              |
| 18 | KE-4147113 | BRUSH, DUSTING             |
| 19 | KE-742489  | WAND ASSEMBLY (LOWER)      |

# POWER-MATE PARTS

For Model: 116.5117290



1	747120	WAND & CORD MOUNT ASSEMBLY
3	KE-742489	WAND & CORD, LOWER
4	KE-4155776	HOUSING, BULB
5	KE-681550	SCREW, 8-18 X 1-7/8 (2)
6	KE-4155735	NOZZLE
7	KE-747222	BUMPER
10	KE-747092	SWIVEL
11	KE-742019	SWIVEL SEAL (2)
12	KE-747280	PAD FOOT PEDAL
13	KE-747287	INDICATOR LEVER
14	KE-747291	INDICATOR CAM
15	KE-742015	INDICATOR BLOCK
16	KE-725775	SPRING ASSIST
17	RO-460145	BRUSH ASSEMBLY
18	KE-681424	WASHER, METAL (12 X 1/2) (2)
19	KE-743395	BEARING & HOUSING ASSEMBLY (2) (INCLUDES ILLUS. 18)
20	KE-742013	LIFTER
21	KE-4148391	HANDLE RELEASE
22	KE-742332	OVERLOAD PROTECTOR
23	KE-4154460	WIRE CONNECTOR
24	KE-747117	ROLLER, REAR (2)
25	KE-742006	REAR AXLE (2)
26	KE-4151554	BASE
27	KE-744029	FRONT AXLE ASSEMBLY
28	KE-4153202	SWIVEL CAP
29	KE-722909	WASHER THRUST
30	KE-725635	WASHER
31	KE-722955	CATCH, INDEXING
32	KE-742016	RATCHET CATCH
33	KE-681605	SCREW TYPE 25 #6 PAN (2)
34	KE-742509	END BRUSH TUFTED
35	KE-742506	BRUSH SPROCKET
36	KE-742031	BRUSH SPROCKET FLANGE
38	KE-742030	BEATER BRUSH (2)
39	KE-742029	BAR, BEATER
40	KE-681297	SCREW, 8-18 X 5/8 (2)
41	KE-705093	MOTOR BRIDGE
42	<b>KER-1075</b>	BELT, COGGED SEARS NO. 20-5285
43	P-60518	MOTOR
44	KE-742002	MOTOR ADJUSTMENT SPRING
45	KE-4152093	SPRING, WAND LOCK
46	KE-4155355	EXTENSION, BUTTON
47	KE-747245	LENS, HEIGHT ADJUSTER
48	KE-4147430	CORD & PLUG
49	KE-747156	GASKET, MOTOR
50	P-40470	HOSE ASSEMBLY
51	KE-747096	SOCKET, BULB

52	FA-3515	BULB, LIGHT (15 WATT) SEARS NO. 20-5240
55	KE-747286	LENS, LIGHT