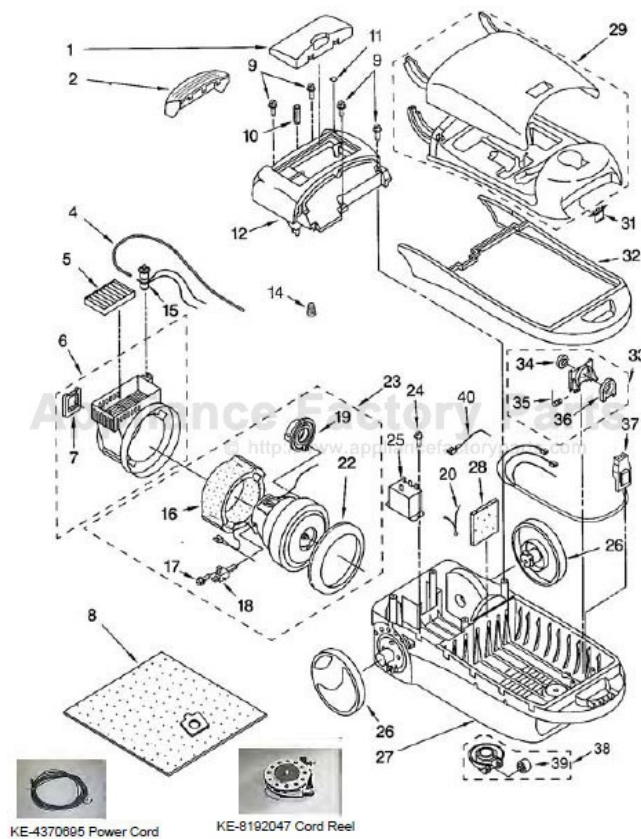


This Owner's Manual is provided and hosted by [Appliance Factory Parts](#).



# Kenmore 116.22813203 Owner's Manual

[Shop genuine replacement parts for Kenmore  
116.22813203](#)

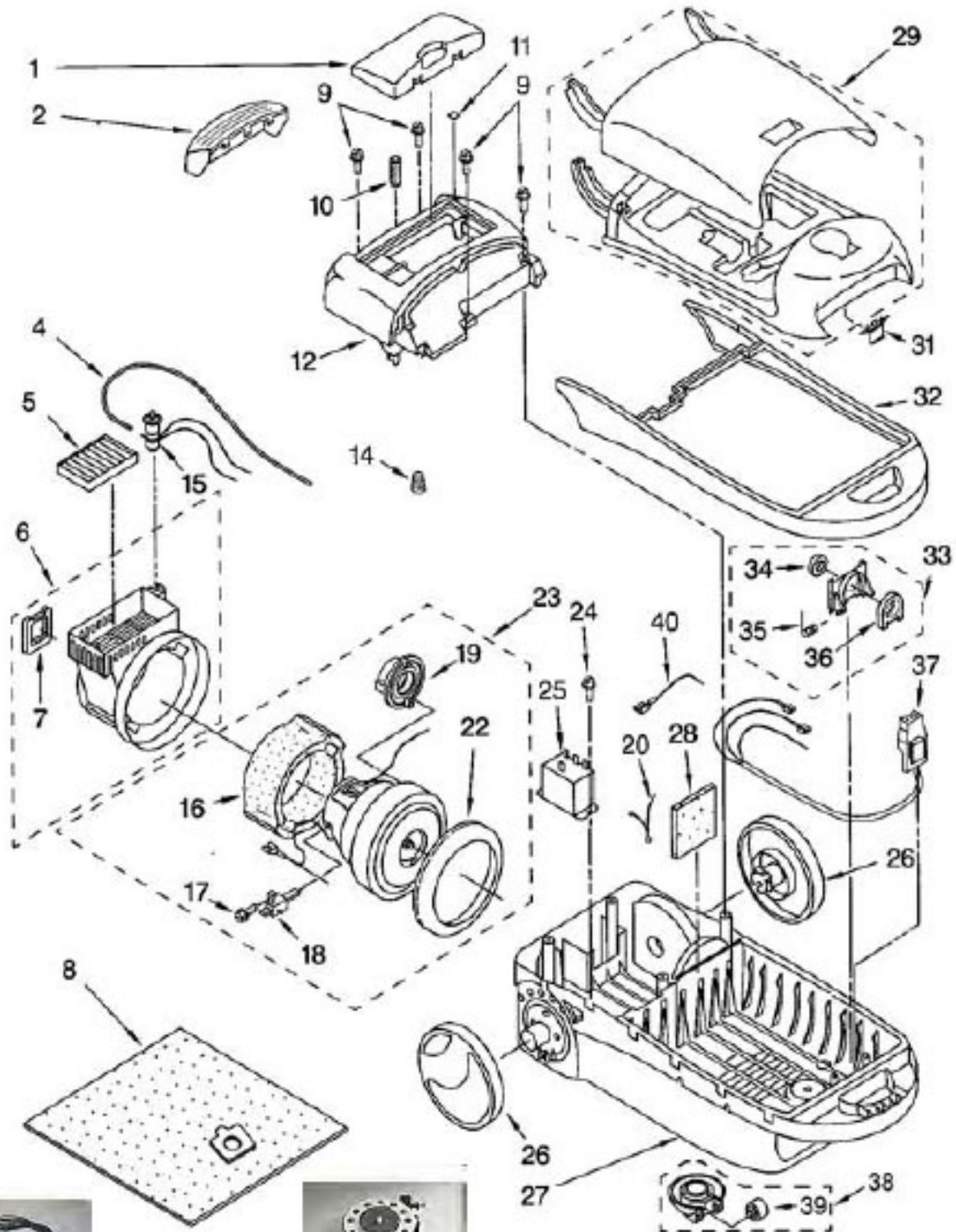


[Find Your Kenmore Vacuum Cleaner Parts - Select From 746 Models](#)

----- Manual continues below -----

# KENMORE Original & Replacement

CANISTER VACUUM Model 116.22813203



KE-4370895 Power Cord



KE-8192047 Cord Reel

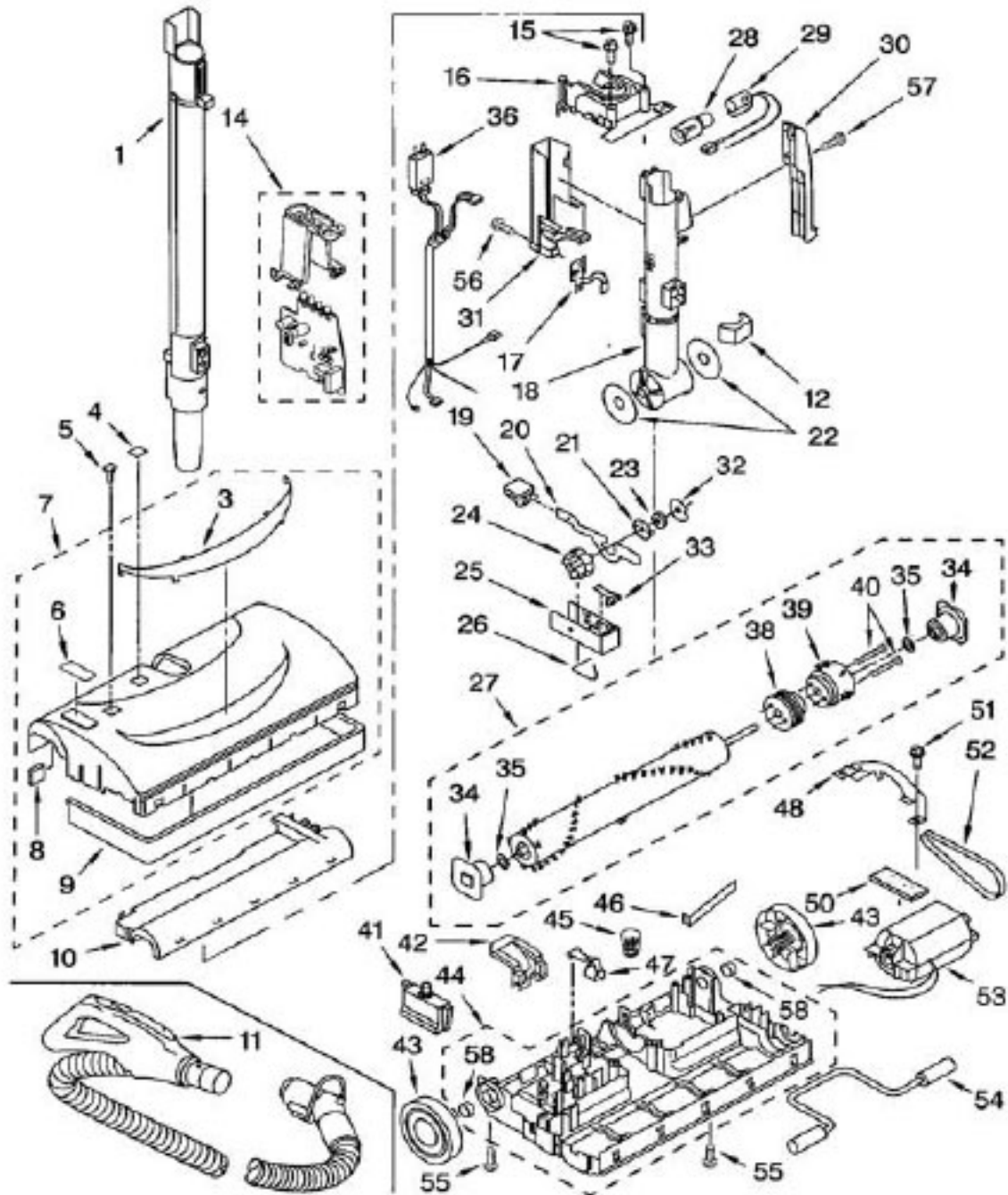
# Original & Replacement **KENMORE** CANISTER VACUUM Model 116.22813203

KEY	PART NO.	DESCRIPTION
1	KE-8191748	Cover, filter
2	KE-4370675	Button, cord rewind
4	KE-4370677	Adapter, tube vac switch
5	KER-1805	Filter, exhaust sears no. 20-86880
6	KE-8175262	Enclosures, motor
7	KE-4370679	Support, motor rubber (rear)
8	KER-14551A	Dust bag sears no. 20-50557
9	KE-4148999	Screw, thread cutting (4)
10	KE-744258	Spring, cord rewind
11	KE-4151920	Lens
12	KE-8191749	Canopy
14	SS-3270	Wire Nut
15	KE-4370741	Indicator, light switch (includes illus. 9)
16	KE-4370683	Suppressor, noise
17	NLA	Screw, motor brush (non-service) (reused old part)
18	KE-8175087	Brush, motor (2)
19	KE-8175133	Support, rubber motor (rear)
20	KE-8174980	Lead wire assembly
22	KE-8175085	Support, motor rubber (front)
23	KE-8191786	Motor, fan
24	NLA	Screw, relay
25	KE-8174981	Relay, motor
26	KE-4370702	Wheel (2)
27	KE-8175264	Base, lower body
28	KE-86883	Filter, secondary sears no. 20-86883
29	KE-8191750	Dust box assembly (includes tool cover)
31	KE-4370687	Buckle, closure
32	KE-4370615	Guard, furniture
33	KE-4370617	Bag, supporter assembly
34	KE-4370688	Packing, inlet
35	KE-706024	Spring, bag mount
36	KE-4370689	Gasket, bag mount.
37	KE-4370608	Receptacle, 3- wire
38	KE-4370690	Caster, roller unit
39	KE-8175108	Caster roller
40	KE-8191751	Lead wire assembly

NLA = NO LONGER AVAILABLE

# KENMORE Original & Replacement

CANISTER VACUUM Model 116.22813203

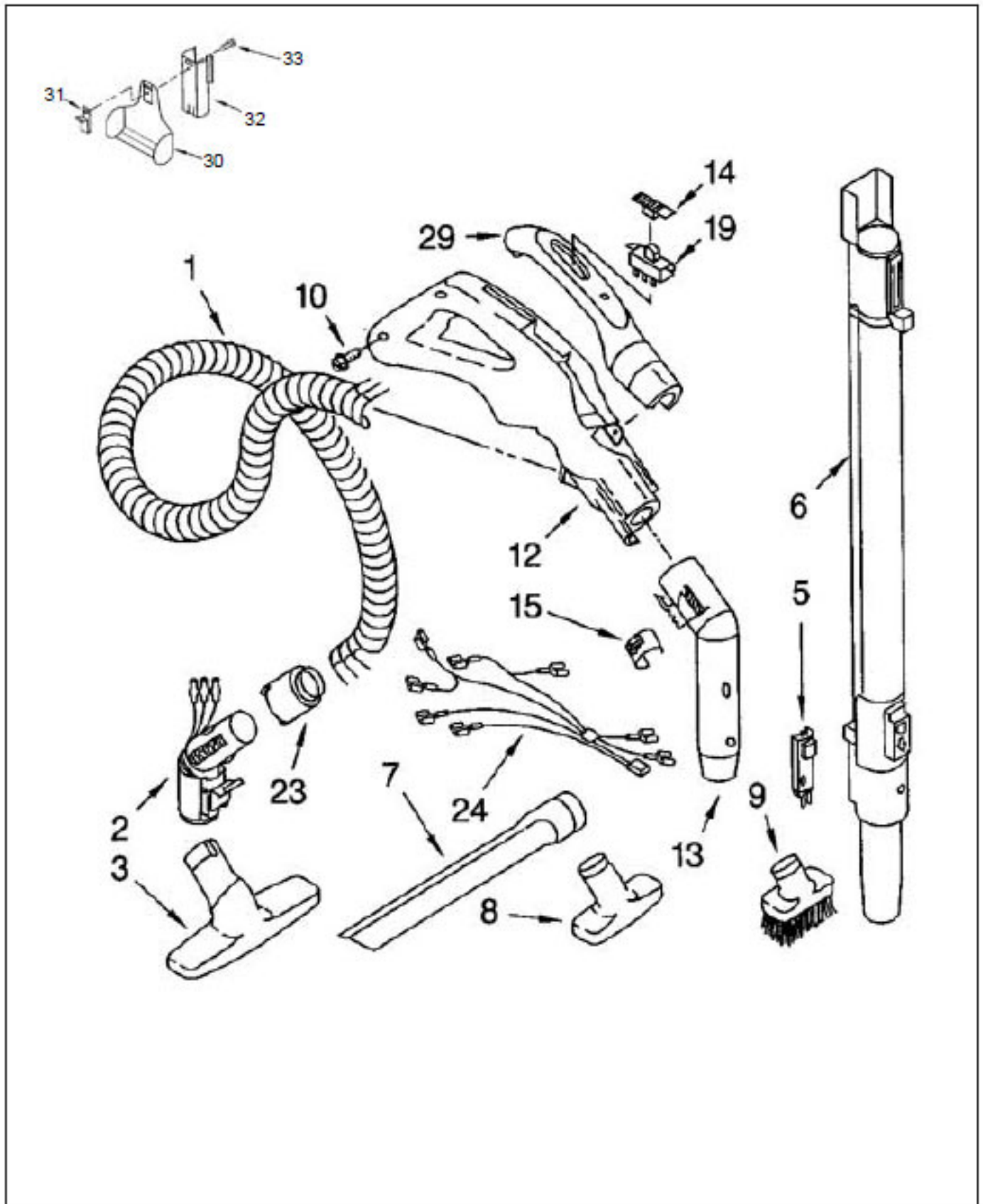


# Original & Replacement **KENMORE** CANISTER VACUUM Model 116.22813203

KEY	PART NO.	DESCRIPTION
1	KE-KC99PCPMZV06	Wand, Telescopic extension
3	KE-4370711	Window, cover (light)
4	KE-4369687	Window, cover (height adjustment)
5	KE-8191505	Button, extension
6	KE-4369981	Window, dirt sensor
7	KE-8192159	Floor nozzle upper unit (includes illus. 3, 8)
8	KE-4370713	Filter, intake/ exhaust (2)
9	KE-4370714	Guard, furniture
10	KE-4370715	Cover, agitator
11	KE-8191753	Hose assembly
12	KE-4370967	Front cover
14	KE-4370649	Pcb assembly
15	KE-488839	Screw
16	KE-8192160	Swivel cap, thermal unit
17	KE-4369985	Pcb "b" unit
18	KE-KC92PCREZ000	Swivel
19	KE-4370577	Pad, foot pedal
20	KE-4370720	Indicator, level
21	KE-588543	Catch indexing
22	KE-742019	Seal, swivel bearing (2)
23	KE-725635	Washer, spring
24	KE-588543	Cam, indicator
25	KE-8191506	Indicator block
26	KE-725775	Spring, assist
27	KE-8192535	Agitator unit
28	FA-3515	Bulb
29	KE-4370721	Socket, bulb
30	KE-8195108	Pedal, quick release
31	KE-4370717	Cover, rear
32	NLA	Washer, thrust
33	KE-742016	Ratchet, catch
34	KE-4370532	Bearing assembly
35	KE-681424	Washer, metal (12 x 1/2) (2) (incl. 18)
36	KE-8175252	Lead wire, "a" unit
38	KE-8175122	Pulley, agitator
39	KE-8175101	End brush tufted
40	KE-681605	Screw type 25 no. 6 pan (2)
41	KE-8192206	Protector, overload
42	KE-KC47AGJ3V06	Handle, release pedal
43	KE-4370724	Wheel (rear) (2)
44	KE-8192161	Floor nozzle lower unit
45	SS-3270	Connector, wire
46	KE-8192162	Spring, motor adjustment
47	KE-4370726	Lifter
48	NLA	Motor bridge
50	KE-747156	Gasket, motor hose assembly
51	KE-STD610805	Screw (2)
52	KE-1000	Belt sears no. 20-5201
53	KE-8192482	Motor
54	KE-KS744029	Front Wheel assembly
55	KE-STD610805	Screw (2)
56	KE-4368551	Screw, 8-24 x 1 (2)

# KENMORE Original & Replacement

CANISTER VACUUM Model 116.22813203



Original & Replacement **KENMORE**  
CANISTER VACUUM Model 116.22813203

<u>KEY</u>	<u>PART NO.</u>	<u>DESCRIPTION</u>
1	KE-4370560	Hose Blank, 3-wire
2	KE-4370563	Swivel assembly (3 prong)
3	KE-4370614	Brush, floor
5	KE-8191782	Cover, fuse wand
6	KE-KC99PCPMZV06	Wand, Telescopic extension (includes illus 5)
7	KE-4370333	Tool, crevice
8	KE-4370707	Brush, upholstery
9	KE-4370559	Brush, dusting
10	KE-4370559	Screw, knocking cam
12	KE-4370913	Handle assembly
13	KE-4370612	Curved pipe unit
14	KE-4370914	Slide, container
15	KE-4370593	Control, suction
19	KE-8191600	Switch, 2-position (as of 4/03/08)
23	KE-4370325	Adapter, hose connection
24	KE-4370561	Harness, wiring
29	KE-8191693	Case, switch
30	KE-8192071	Tool Caddy
31	KE-8192072	Clip
32	KE-8192073	Holder
33	KE-4368879	Screw