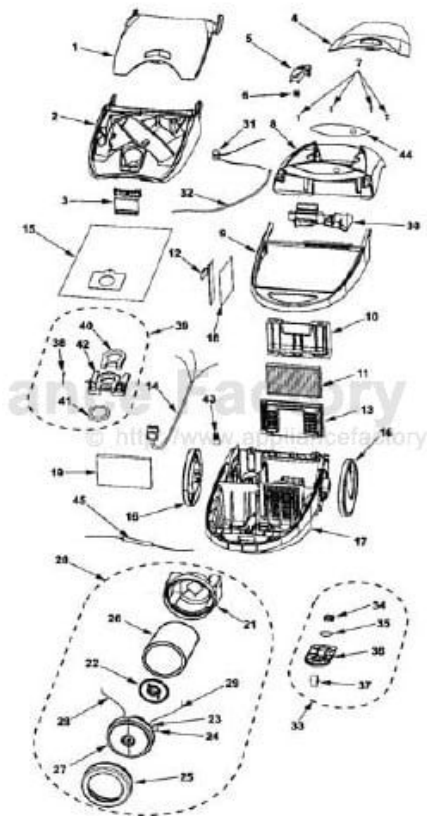


This Owner's Manual is provided and hosted by [Appliance Factory Parts](#).



Kenmore 116.23612300 Owner's Manual

[Shop genuine replacement parts for Kenmore
116.23612300](#)



[Find Your Kenmore Vacuum Cleaner Parts - Select From 746 Models](#)

----- Manual continues below part list -----

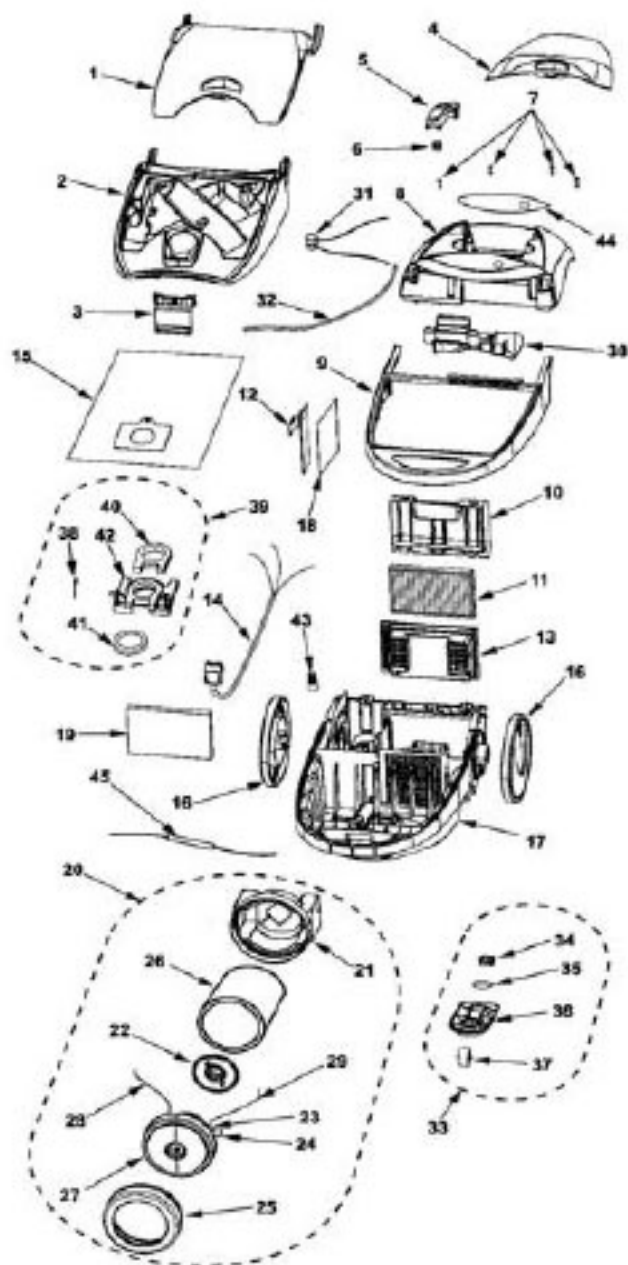
Available Replacement Parts for Kenmore 116.23612300

KER-14551A	VACUUM BAGS 5055
86883	FILTER VA
8192535	AGITATOR VA
4370325	ADAPTER VA
KC63RBZTZV07	Combination brush.
KC01DBZTZV07	HOOD LATCH
KC41KBZTZV06	FILTER COVER
4370614	BRUSH-ASSY VA
8192011	BELT-DRIVE VA

KENMORE Original & Replacement

CANISTER VACUUM Model 116.23612300

Power-Mate® Model: 116.53612300, 116.53813300

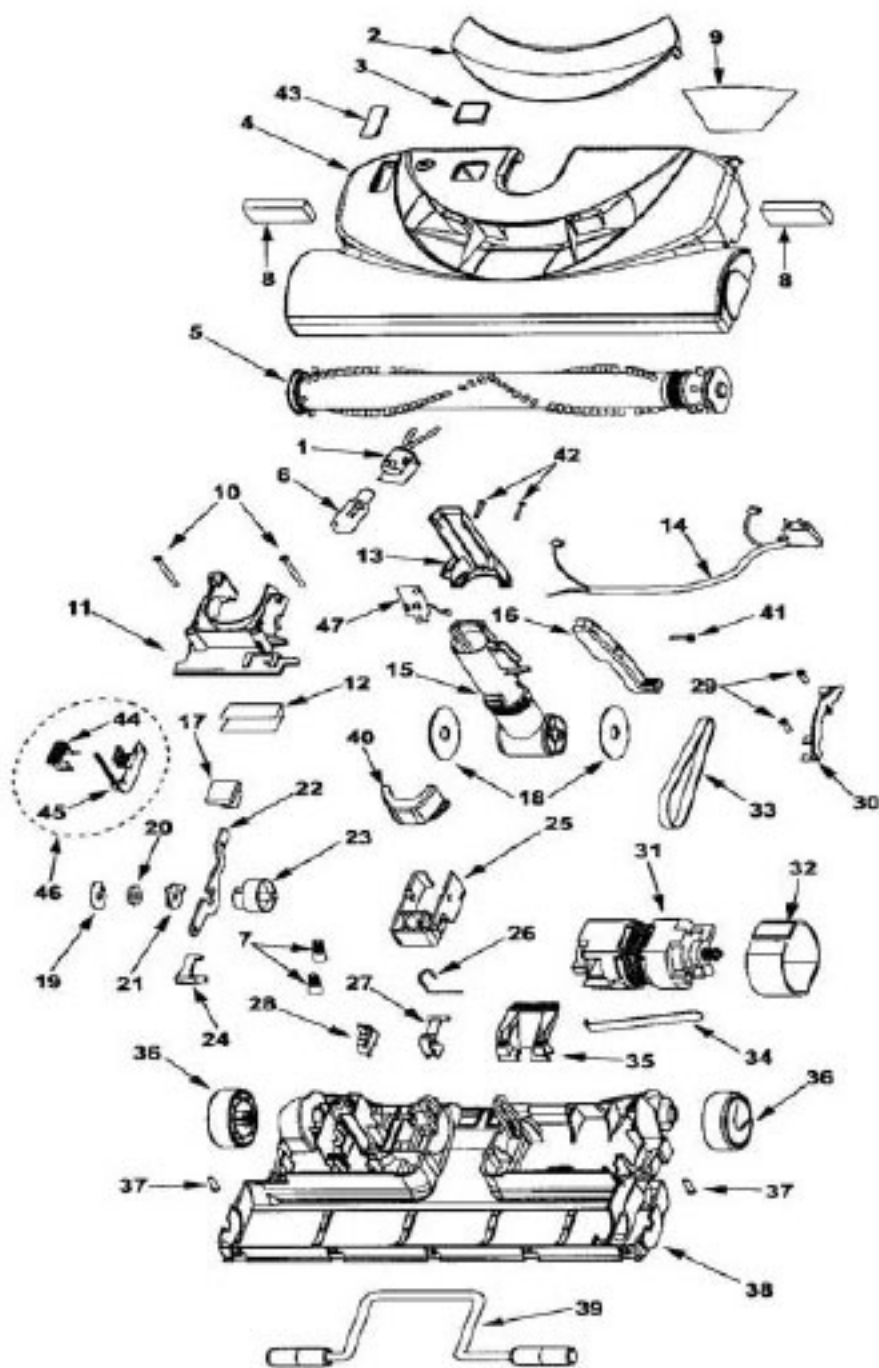


Original & Replacement **KENMORE** CANISTER VACUUM Model 116.23612300

KEY	PART NO.	DESCRIPTION
1	KE-KC74PBZTZCU5	TOOL STORAGE COVER DECO
2	KE-KC60KBZTZCU4	DUST COVER, DECO
3	KE-KC01DBZTZV07	LATCH, HOOD
4	KE-KC74PBZRZCU5	TOOL STORAGE COVER
5	KE-KC46NBZTZV06	CORD REWIND BUTTON
6	KE-744258	SPRING, CORD REWIND
7	KE-4368563	SCREW
8	KE-KC48HBZTZC04	CANOPY
9	KE-KC31ABZTZV06	FURNITURE GUARD
10	KE-KC41KBZTZV06	FILTER COVER
11	KER-1800	EXHAUST FILTER (SEARS NO.20-86889)
12	KE-KC86WBZRZD00	P.C.B. ASSEMBLY
13	KE-KC32FBZTZV07	FILTER SUPPORTER
14	KE-KC90EBZTZV06	RECEPTACLE ASSEMBLY, 3-WIRE
15	KER-14551	DUST BAG (SEARS NO. 20-50557)
16	KE-KC99CBZNV07	WHEEL
17	KE-KC03ABZTZV07	LOWER BODY
18	KE-KC41FBZPZ000	COOLING GUIDE
19	KE-4370609	SECONDARY FILTER (SEARS NO. 20-86885)
20	KE-KC90FBZTZV07	MOTOR ASSEMBLY
21	KE-KC10GBZTZV07	MOTOR ENCLOSURE
22	KE-KC02FBZTZD00	MOTOR SUPPORT RUBBER, REAR
23	NLA	(NOT SERVICED, USE OLD) SCREW, MOTOR BRUSH
24	KE-4370655	MOTOR BRUSH
25	KE-KC03FBZTZ000	MOTOR SUPPORT RUBBER, FRONT
26	KE-4370683	NOISE SUPPRESSOR
27	KE-KC92FBEMZ000	FAN MOTOR UNIT
28	KE-KC38GATMZ000	LEAD WIRE, BLACK
29	KE-KC43GAUYZ000	LEAD WIRE ASSEMBLY
30	KE-KC02ABZTZV06	UPPER BODY
31	KE-4370741	PERFORMANCE INDICATOR
32	KE-4370677	ADAPTER, TUBE VAC SWITCH
33	KE-KC95CBZTZV06	CASTER UNIT
34	KE-KC12CBZTZ000	COUNTER WEIGHT
35	KE-KC41ABZTZV00	RUBBER CUSHION
36	KE-KC34CBZTZV06	CASTER SUPPORTER
37	KE-4370691	CASTER WHEEL
38	KE-706024	SPRING, BAG MOUNT
39	KE-KC11KAKTZR01	BAG SUPPORTER ASSEMBLY
40	KE-KC03LAKTZ000	GASKET, BAG MOUNT
41	KE-4370688	INLET PACKING
42	KE-KC10KBZTZR01	BAG MOUNT
43	KE-4154460	WIRE CONNECTOR
44	KE-KC21TZBTZ000	ORNAMENTAL PLATE
45	KE-4370978	FUSE

KENMORE Original & Replacement

CANISTER VACUUM Model 116.23612300



Power-Mate® Parts List is Combined
with the Canister Parts List
Refer to Your Canister Model Number

Original & Replacement **KENMORE** CANISTER VACUUM Model 116.23612300

KEY	PART NO.	DESCRIPTION
1	KE-4370721	BULB SOCKET
2	KE-KC21HBZTZ000	LIGHT LENS
3	KE-4369687	INDICATOR WINDOW
4	KE-KC99RBZRZBUZ	NOZZLE HOUSING
5	KE-8192535	AGITATOR UNIT
6	FA-3515	LIGHT BULB (SEARS NO.20-5240)
7	KE-4368522	WIRE CONNECTOR
8	KE-4370713	EXHAUST FOAM
9	KE-KC84HBZTZ000	REFLECTOR, NOZZLE
10	KE-KS681550	SCREW
11	KE-KC25QAKTZV07	SWIVEL CAP
12	KE-KC22HBZTZ000	WINDOW REFLECTOR
13	KE-4370717	REAR COVER
14	KE-KC67VAXEZV06	LEAD WIRE "A"
15	KE-KC92PBAY1V06	SWIVEL
16	KE-8195108	PEDAL, QUICK RELEASE
17	KE-4370577	PAD, FOOT PEDAL
18	KE-KS742019	SWIVEL SEAL
19	KE-KS722909	WASHER, THRUST
20	KE-KS725635	WASHER
21	KE-KS722955	CATCH INDEXING
22	KE-4370720	INDICATOR LEVER
23	KE-KS747291	CAM INDICATOR
24	KE-KS742016	RATCHET CATCH
25	KE-KC83MAKSZV06	INDICATOR BLOCK
26	KE-725775	SPRING ASSIST
27	KE-4370726	LIFTER
28	KE-KC76FAXEZ000	OVERLOAD PROTECTOR
29	KE-KS681297	SCREW
30	KE-KS705093	MOTOR BRIDGE
31	KE-KC90FCBJZ000	MOTOR
32	KE-KS747156	MOTOR GASKET
33	KER-1080	BELT (SEARS NO.20-5218)
34	KE-KS742002	MOTOR SPRING
35	KE-KC47AGJ3V06	HANDLE RELEASE PEDAL
36	KE-KC99CBZTZV07	WHEEL
37	KE-4368563	SCREW
38	KE-KC03RBZT1V07	LOWER PLATE
39	KE-744029	FRONT AXLE ASSEMBLY
40	KE-4370967	FRONT COVER
41	KE-4370280	SCREW
42	KE-4368551	SCREW
43	KE-4369981	DIRT SENSOR WINDOW
44	KE-KC23KBZTZU00	P.C.B. SUPPORTER
45	KE-KC87GBZTZ000	P.C.B. DIRT SENSOR
46	KE-KC87GBZR2000	DIRT SENSOR UNIT
47	KE-4369985	P.C.B. UNIT

Original & Replacement **KENMORE**
CANISTER VACUUM Model 116.23612300

Attachments

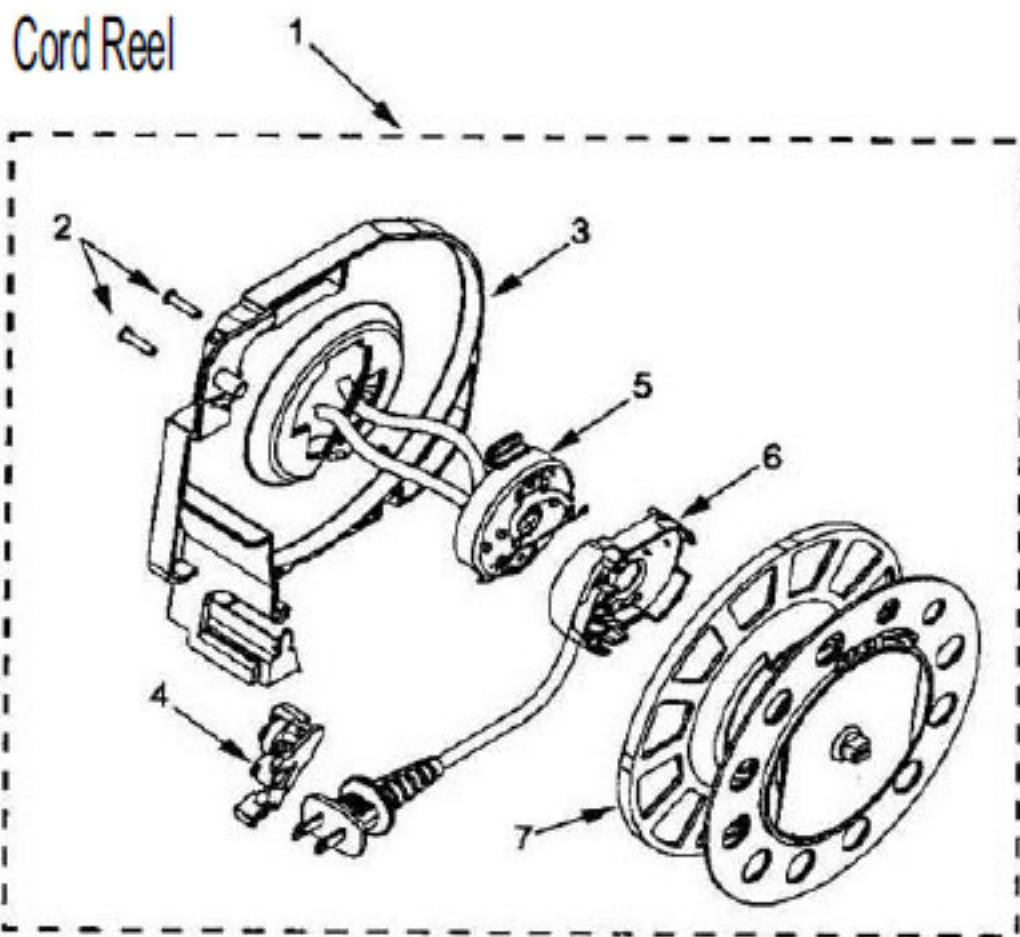
<u>KEY</u>	<u>PART NO.</u>	<u>DESCRIPTION</u>
1	KE-KC63RBZTZV07	COMBINATION BRUSH
2	KE-KC62RBZTZV07	UPHOLSTERY NOZZLE
3	KE-KC94QBZTZV07	DUSTING BRUSH
4	KE-4370614	FLOOR BRUSH
5	KE-8175100	CREVICE TOOL
6	KE-8192063	QUICK RELEASE
7	KE-8192064	UPPER WAND ASSEMBLY
8	KE-KC99PBZTZV06	LOWER WAND ASSEMBLY

Hose

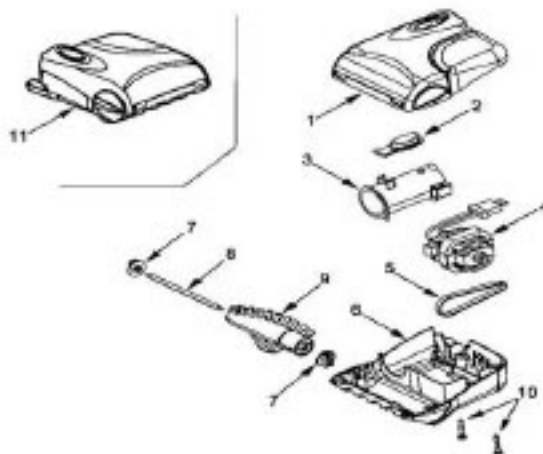
<u>KEY</u>	<u>PART NO.</u>	<u>DESCRIPTION</u>
1	KE-KC68GBZTZC04	SWITCH CASE
2	KE-KC02UBZTZVU6	SLIDING KNOB
3	KE-8191600	SWITCH
4	KE-4369085	SCREW
5	KE-KC93BBZTZV06	HANDLE ASSEMBLY
6	KE-4370593	SUCTION CONTROL
7	KE-4370612	CURVED PIPE UNIT
8	KE-4370588	HOSE, 3-WIRE
9	KE-4370325	HOSE CONNECTION COVER
10	KE-KC92PBZTZV06	CONNECTION PIPE
11	KE-KC04RATM2000	HOSE PACKING
12	KE-KC37GBZTZV06	WIRE HARNESS
13	KE-KC94PBZTZB39	HOSE ASSEMBLY

KENMORE Original & Replacement

CANISTER VACUUM Model 116.23612300



Mini PowerMate Jr.



Original & Replacement **KENMORE**
CANISTER VACUUM Model 116.23612300

Cord Reel

KEY	PART NO.	DESCRIPTION
1	KE-8195114	CORD REEL ASSEMBLY
2	KE-4368563	SCREW
3	KE-8175266	BRACKET, CORD REEL
4	KE-4370692	BRAKE LEVER UNIT
5	KE-4370924	CONTACT BASE
6	KE-4370695	CONTACT DISK ASSEMBLY RINGS (POWER CORD)
7	KE-8175267	CORD REEL HUB ASSEMBLY

Mini PowerMate Jr.

KEY	PART NO.	DESCRIPTION
1	KE-8192006	NOZZLE
2	KE-8192009	RELEASE BUTTON
3	KE-8192008	LOCKING TUBE
4	NLA	MOTOR (NOT AVAILABLE)
5	KE-8192011	BELT
6	KE-8192007	BASE
7	KE-8192016	BRUSH END CAP
8	KE-8192017	DOWEL SHAFT
9	KE-8192013	DOWEL ASSEMBLY
10	KE-4368551	SCREW
11	KE-4369133	POWER MATE JR (COMPLETE ASSEMBLY)