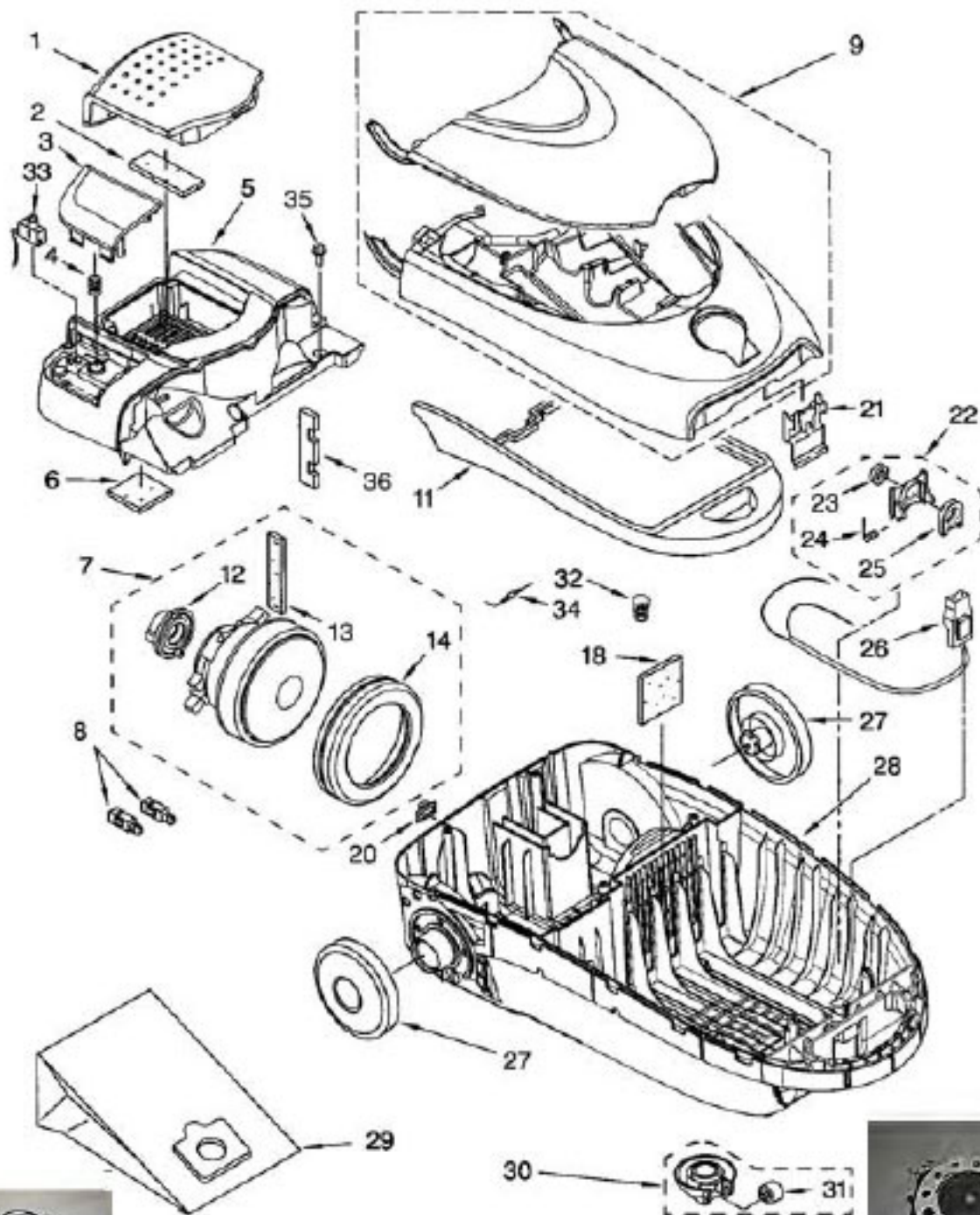


KENMORE Original & Replacement

CANISTER VACUUM Model 116.24212400

Power-Mate® Model: 116.54212400, 116.54213400, Included with Canister.



KE-4370895 Cord for Reel

1/04



KE-8192089 Cord Reel

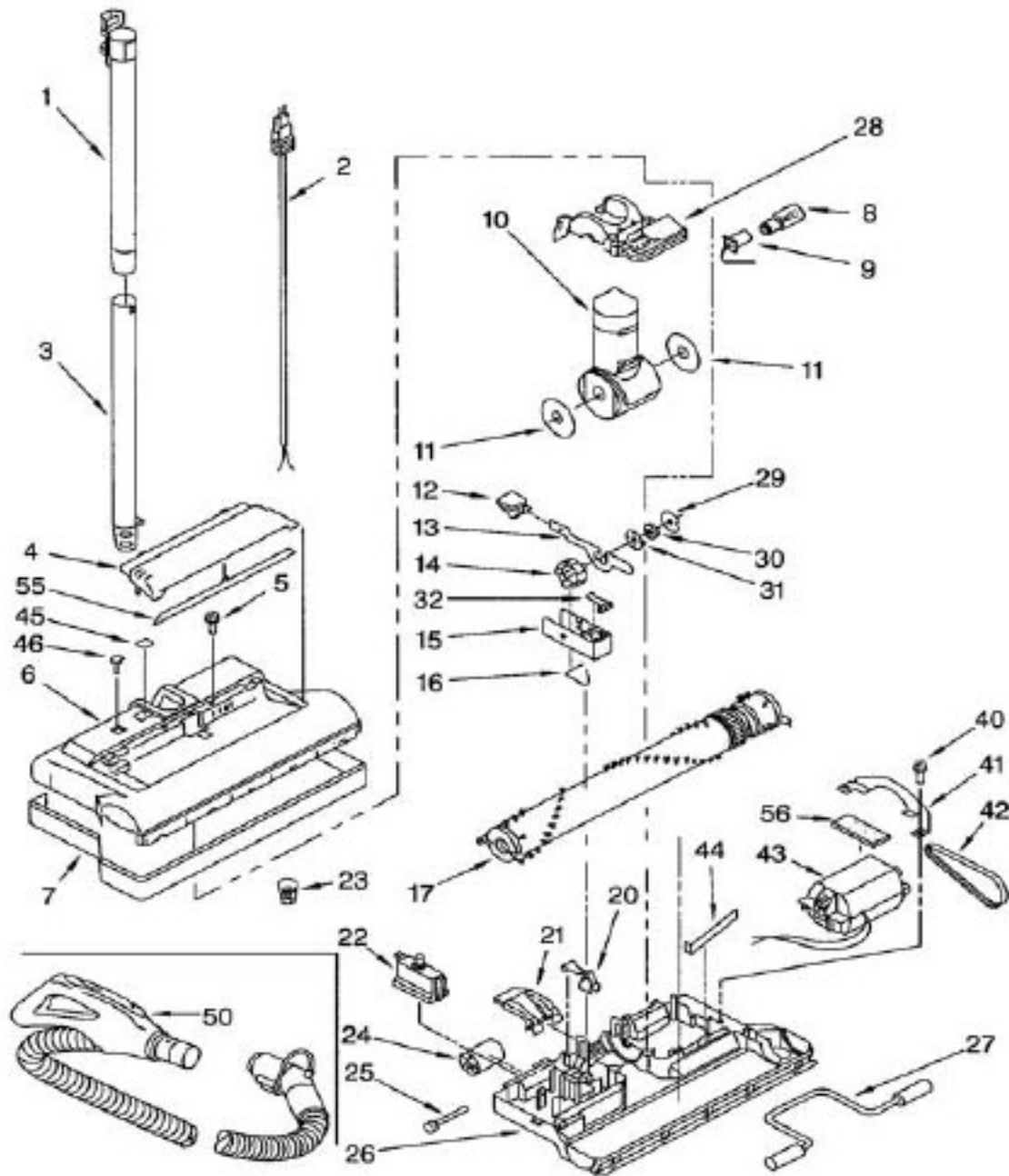
Original & Replacement **KENMORE** CANISTER VACUUM Model 116.24212400

KEY	PART NO.	DESCRIPTION
1	KE-8175093	Cover, filter
2	KER-1805	Filter, exhaust or sears no. 20-86880
3	KE-KC46NAXVZP07	Button, power on/off
4	KE-8175183	Spring, cord button
5	KE-KC90QBPJZP07	Canopy assembly
6	KE-8175172	Filter, secondary
7	KE-8175220	Motor, fan
8	KE-4370855	Brush, motor (2)
9	KE-KC85KCHZZPU7	Dust box unit (includes tool lid)
11	KE-8191983	Guard, furniture
12	KE-8175182	Support, motor rubber (rear)
13	KE-8174919	Suppressor, noise
14	KE-8175085	Support, motor rubber (front)
18	KE-8175084	Filter, motor safety sears no. 20-86883
20	KE-4369356	Hook, cord
21	KE-8175094	Latch, hood
22	KE-4370617	Bag, supporter assembly
23	KE-4370688	Packing, inlet
24	KE-706024	Spring, bag moount
25	KE-4370689	Gasket, bag mount.
26	KE-8175144	Receptacle, 2- wire
27	KE-8192663	Wheel
28	KE-8192664	Base, lower body
29	KER-14551	Dust bag sears no. 20-50558
30	KE-4370690	Caster, roller unit
31	KE-4370691	Caster, wheel
32	SS-3270	Wire Nut
33	KE-4370761	Switch, on-off
34	KE-8175041	Lead wire assembly
35	KE-4148999	Screw, thread cutting (4)
36	KE-8175181	Noise suppressor

NLA = NO LONGER AVAILABLE

KENMORE Original & Replacement

CANISTER VACUUM Model 116.24212400



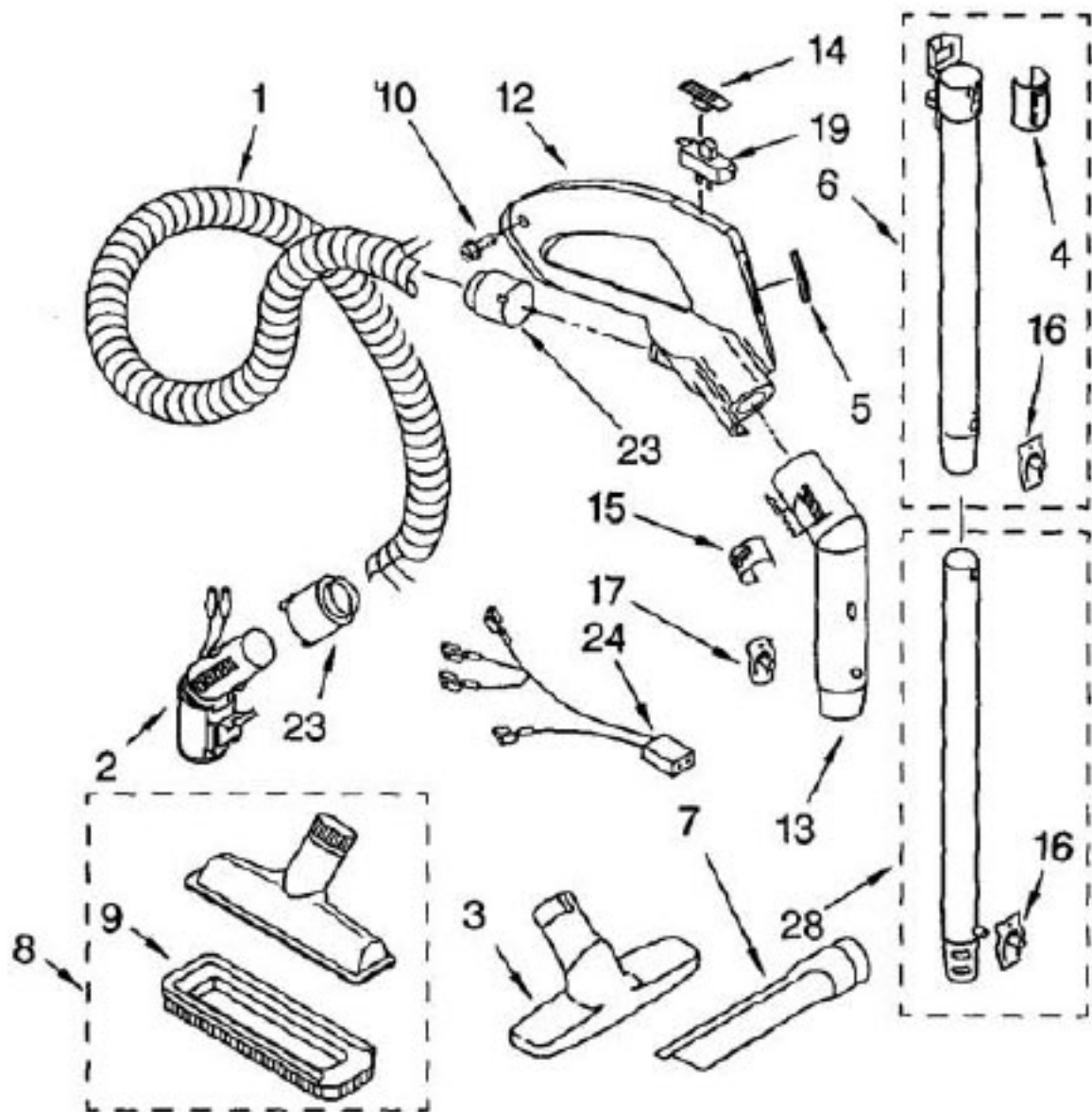
Original & Replacement **KENMORE** CANISTER VACUUM Model 116.24212400

KEY	PART NO.	DESCRIPTION
1	KE-4370473	Wand (upper)
2	KE-8192034	Cord and plug
3	KE-4370489	Wand (lower)
4	KE-KC24HAURZPU7	Cover, power head
5	KE-488839	Screw 8-18 x 1-7/8
6	KE-KC02RBPJZPU7	Nozzle
7	KE-4155587	Bumper
8	FA-3515	Bulb
9	KE-8175250	Socket, bulb
10	KE-KS4155049	Swivel
11	KE-742019	Seal, swivel bearing (2)
12	KE-4370577	Pad, foot pedal
13	KE-4370720	Indicator, level
14	KE-588543	Indicator cam
15	KE-8191506	Indicator block
16	KE-725775	Spring, assist
17	KE-8192670	Agitator unit (brush assembly)
20	KE-4370726	Lifter
21	KE-KC47AGJ3V06	Handle, release pedal
22	KE-8175256	Protector, overload
23	SS-3270	Wire Nut
24	KE-4370364	Roller, rear (2)
25	KE-742006	Shaft, roller (2)
26	KE-8175103	Base
27	KE-KS744029	Front assembly assembly
28	KE-KC25QRDZP07	Swivel cap
29	NLA	Washer, thrust
30	KE-725635	Washer, spring
31	KE-588543	Catch indexing
32	KE-742016	Ratchet, catch
40	KE-STD610805	Screw 8-18 x 5/8
41	KE-705093	Motor, bridge
42	KER-1075	Belt, cogged *sears no. 20-5285
43	KE-KC90FCAL1000	Motor
44	KE-742002	Spring, motor adjustment
45	KE-4369687	Window, cover (height adjustment)
46	KE-8191505	Bezel
50	KE-8175196	Hose assembly
55	KE-KS747286	Lens, light
56	KE-747156	Gasket, motor hose assembly

NLA = No Longer Available

KENMORE Original & Replacement

CANISTER VACUUM Model 116.24212400



Original & Replacement **KENMORE**
CANISTER VACUUM Model 116.24212400

KEY	PART NO.	DESCRIPTION
1	KE-4370993	Hose
2	KE-4370388	Swivel assembly
3	KE-4370140	Brush, floor
4	KE-8191628	Release, quick (upper)
5	KE-4370939	Label, handle
6	KE-4370473	Wand (upper)
7	KE-8175100	Tool, crevice
8	KE-8175098	Brush, combination
9	KE-8175099	Brush Insert
10	KE-4389085	Screw, knocking cam
12	KE-4370994	Handle, assembly
13	KE-4370996	Tube, center
15	KE-4370593	Control, suction
16	KE-589318	Spring, wand lock
17	KE-589318	Spring, wand lock
19	KE-4389245	Switch, two-position
23	KE-4370325	Adapter, hose connection
24	KE-4370928	Harness, wiring
28	KE-4370489	Wand (lower)